

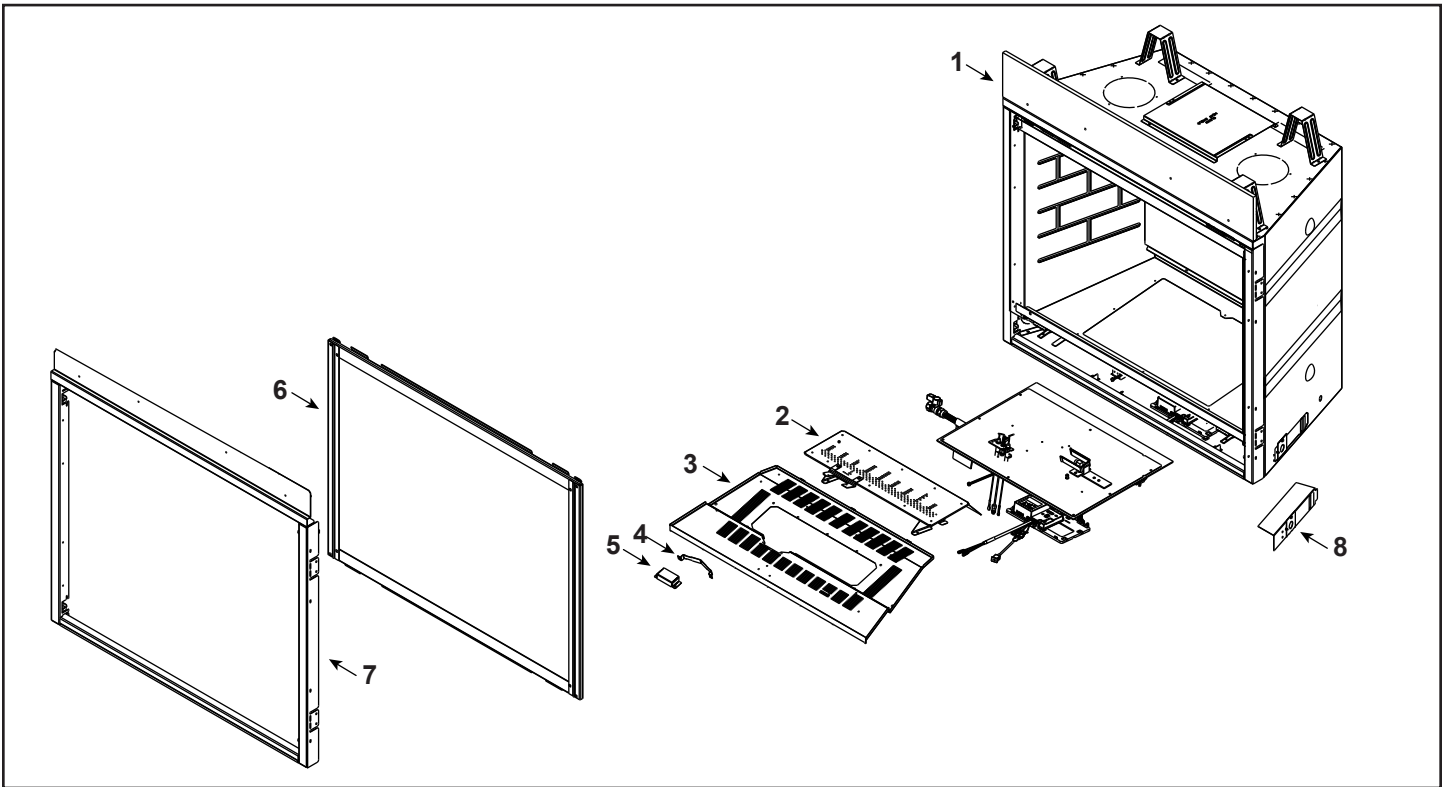


## Service Parts

# MER36MN

Meridian 36" Gas Fireplace - DV

Beginning Manufacturing Date: Jun 2023  
Ending Manufacturing Date: Active



**IMPORTANT: THIS IS DATED INFORMATION.** Parts must be ordered from a dealer or distributor. **Hearth and Home Technologies does not sell directly to consumers.** Provide model number and serial number when requesting service parts from your dealer or distributor.



**Stocked  
at Depot**

ITEM	DESCRIPTION	COMMENTS	PART NUMBER	
1	Non-combustible board		2583-137	
2	Burner Assembly		2584-007	Y
3	Base Pan Assembly		2584-017	
4	Media Bracket		2584-141	
5	Pilot Shield		2584-139	
6	Glass Assembly		GLA-6KL	Y
	Finishing Strips	Sold as set only	SRVFS-6K	
7	Surround		SRV2583-019	
	Surround Bottom		SRV2583-193-1	
8	Junction box		SRV2583-009	Y
	Elbow Heat Shield		385-290	
	Flue Restrictor		385-128	
	Gasket Assembly (Vent, seal cap, cover, drawn neck, shutter, valve, & bulkhead)		2583-080	
	Glass Clip Assembly (Top)	Qty 2 req	2155-047	Y
	Glass Clip Assembly (Bottom)	Qty 2 req	2155-045	Y
	Seal Cap		4031-221	
	Rock Jig, Modern		2584-600	
	Magic Glass Assembly (Back, Left, & Right)		2599-079	

Additional service parts on following page.



IMPORTANT: THIS IS DATED INFORMATION. Parts must be ordered from a dealer or distributor. **Hearth and Home Technologies does not sell directly to consumers.** Provide model number and serial number when requesting service parts from your dealer or distributor.



Stocked at Depot

ITEM	DESCRIPTION	COMMENTS	PART NUMBER	
<b>#9 Valve Assembly</b>				
9.1	Pilot Assembly	NG	2106-169	Y
9.2	Flex Ball Valve Assembly		SRV302-320	Y
9.3	Valve	NG	SRV2166-302	Y
9.4	Male Connector	Pkg of 5	303-315/5	Y
9.5	Battery Holder**		SRV2326-142	Y
9.6	Component Tray Assembly		<b>See following page</b>	
9.7	Shutter Assembly		2583-011	
9.8	Bulkhead W/Flex tube		SRV7000-156	Y
	Orifice, NG (#35C)		SRV582-835	Y

\*\*Fuse for battery pack can be sourced locally, not a warranty item. Specs are 250v, 3A fuse, 3/4" long  
Additional service part numbers on following page.



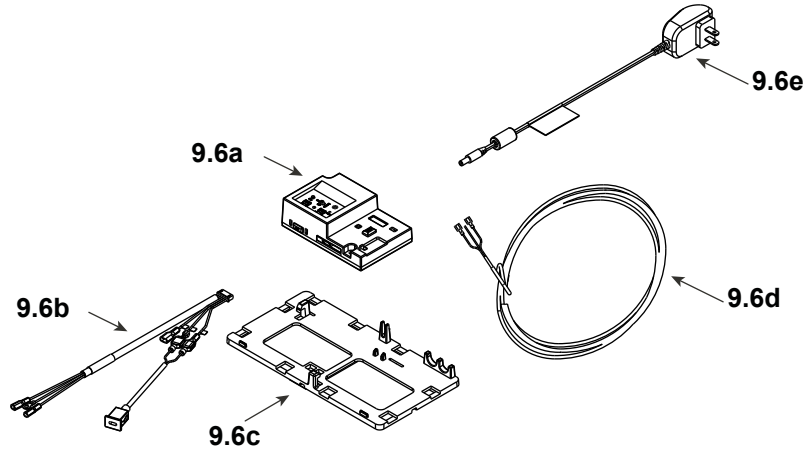
IMPORTANT: THIS IS DATED INFORMATION. Parts must be ordered from a dealer or distributor. **Hearth and Home Technologies does not sell directly to consumers.** Provide model number and serial number when requesting service parts from your dealer or distributor.



Stocked at Depot

ITEM	DESCRIPTION	COMMENTS	PART NUMBER
------	-------------	----------	-------------

#9.6 Component Tray



9.6a	Module, IFT Control		SRV2326-130	Y
9.6b	Harness, IFT 6 Pin Wiring		SRV2583-063	Y
9.6c	Component Tray		2279-185	
9.6d	Thermostat Wire Assembly		SRV2118-170	Y
9.6e	Transformer, 6 Volt Wall		SRV2326-131	Y
	Driftwood Logs (Optional)		LOGS-KMOD	
	Stone Kit (Optional)	Qty 3 req	STONES-NATURAL	
	Media Kit, Crystal 5lbs. (Optional required to complete)	Qty 2 req	MEDIA-CY	
	Media Kit, Copper 5lbs. (Optional required to complete)	Qty 2 req	MEDIA-CP	
	Media Kit, Graphite 5lbs. (Optional required to complete)	Qty 2 req	MEDIA-GT	
	Media Kit, Smoked 5lbs. (Optional required to complete)	Qty 2 req	MEDIA-SM	
	RC400 Remote (Optional)		SRV2326-110	Y
	Touch Up Paint		TUP-GBK-12	