



Installation Instructions

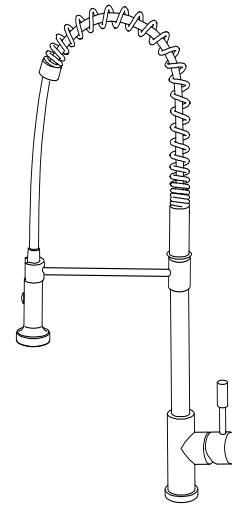
Soneva

KA-800-30

Semi-Professional High-Arc Kitchen Faucet

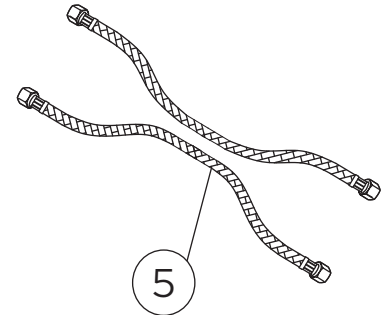
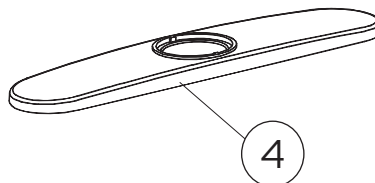
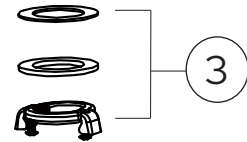
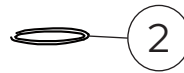
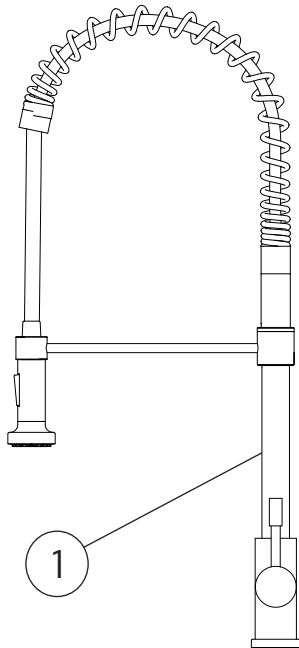
Thank you for selecting Lulani.

To ensure that your installation proceeds smoothly, please read these instructions carefully before you begin.



Parts Included

1. Faucet
2. Above sink hardware: rubber O-ring
3. Below sink hardware: rubber washer, metal washer, mounting nut
4. Baseplate
5. Water supply lines
6. (optional) Stability collar



*Optional: Try out our *Stability Collar* for additional security which may be necessary for thinner sinks, like those made with Stainless Steel. Install under the sink, between the rubber washer and metal washer.

Recommended Tools (not included)

- | | |
|-------------------------|--------------------|
| 1. Adjustable Wrench | 6. Measuring Tape |
| 2. Phillips Screwdriver | 7. Plumber's Putty |
| 3. Safety Goggles | 8. Channel Locks |
| 4. Flashlight | 9. Allen Key |
| 5. Bucket | |



Caution: Tips for removal of old faucet

Always turn off the water supply before removing the existing faucet or replacing any part of the faucet. Open the faucet handle to relieve water pressure and ensure that water is completely shut off.

Maintenance

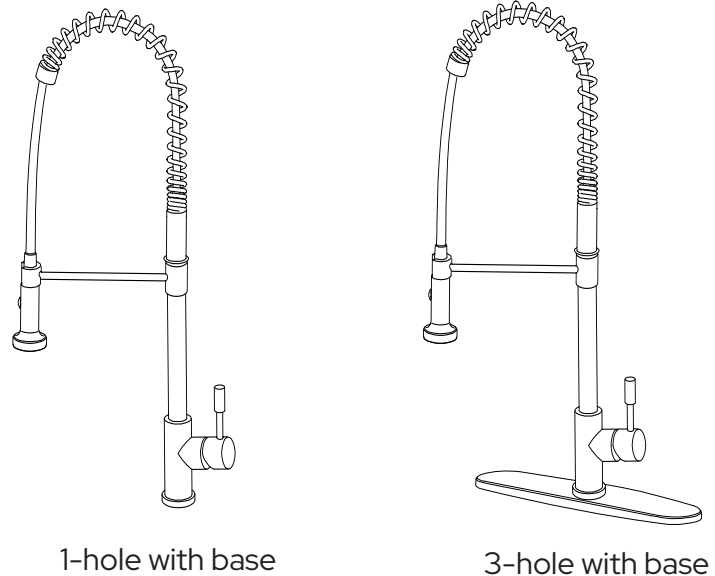
Your new faucet is designed for years of trouble-free performance. Keep it looking new by cleaning it periodically with a soft cloth. Avoid abrasive cleaners, steel wool, and harsh chemicals as these will dull the finish and void your warranty.

Step 1

Your faucet will arrive without the base attached. If you want to use the 3-hole base plate, simply slide the faucet threads through the hole of the base plate.

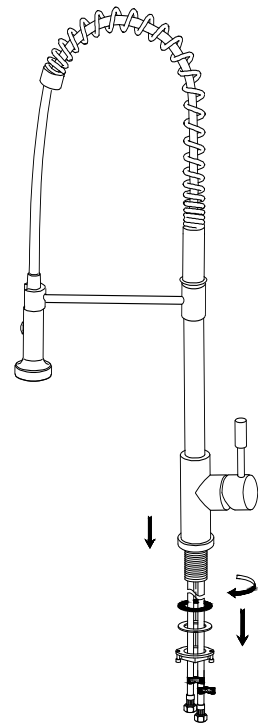
Determine what type of base you'll need for installation. Does your sink have 1 hole or 3 holes? If your sink has more than 1 hole and you want to cover up the additional holes, consider using the provided base plate. Optional accessories like soap dispensers can also be used in the additional holes.

Note that the sink hole should be $1\frac{3}{8}$ " in diameter.



Step 2

Remove the rubber and metal washers and mounting nut from the base by hand twisting off.

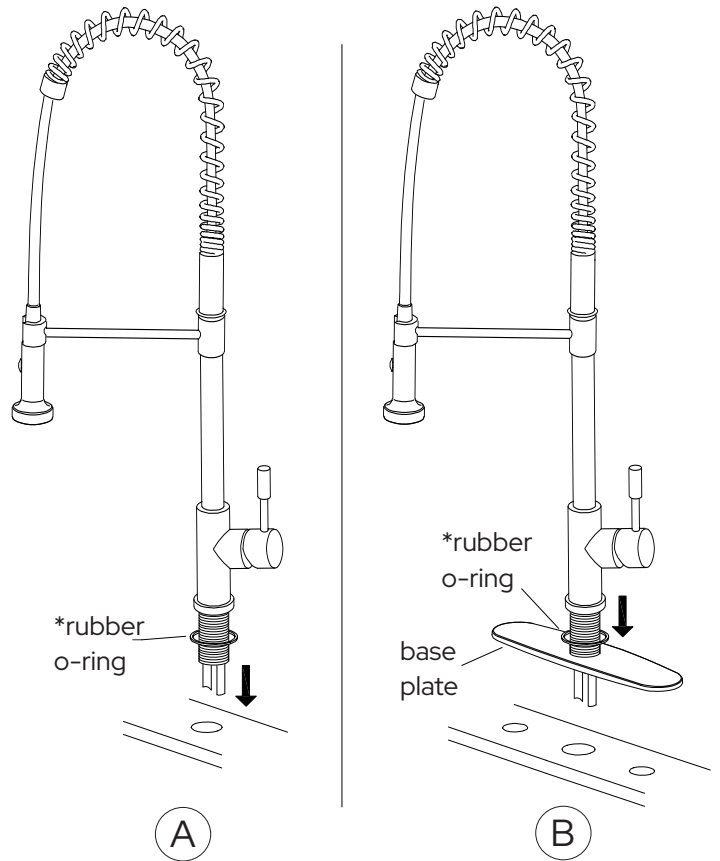


Step 3

A. For 1-hole installation, insert the faucet through the hole on the sink.

B. For 3-hole installation, insert the faucet in to the base plate and then through the hole on the sink.

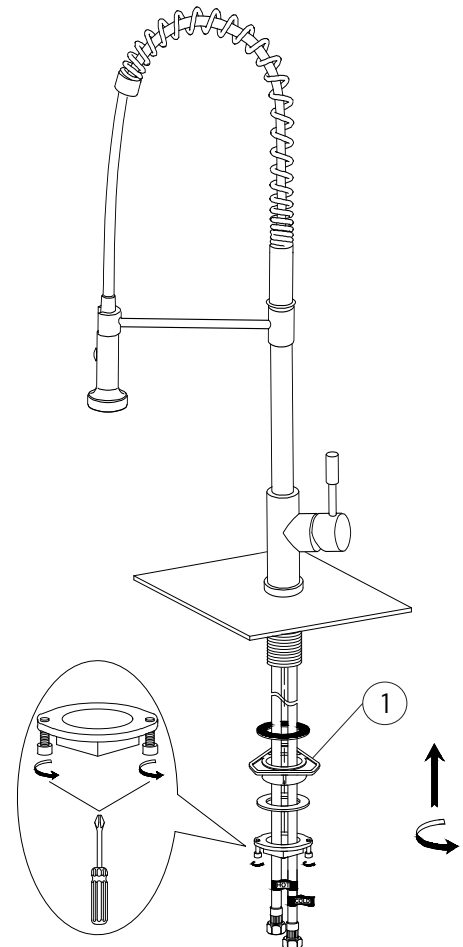
*Note: Make sure that the rubber o-ring stays above the mounting surface for 1-hole installation or between the faucet and base plate for 3-hole installation.



Step 4

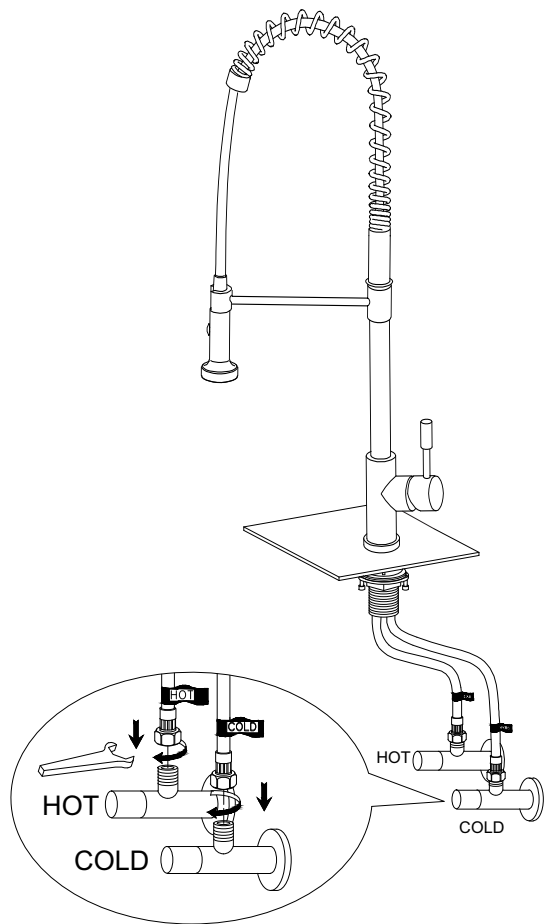
Secure the faucet by firmly hand tightening the rubber washer, metal washer and mounting nut back on the faucet threads underneath the sink. Tighten the screws on the mounting nut with a Phillips screwdriver.

Note: The optional Stability Collar (1) has been added as reference in the image. This can be used for thinner sinks to add additional strength. If used, insert between the rubber and metal washers.



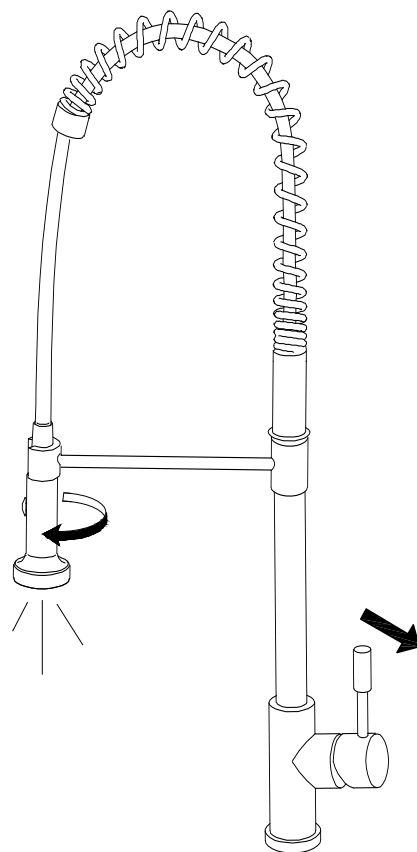
Step 5

Connect the water supply lines to the hot and cold water valves. Tighten with an adjustable wrench. **Do not over tighten.**



Step 6

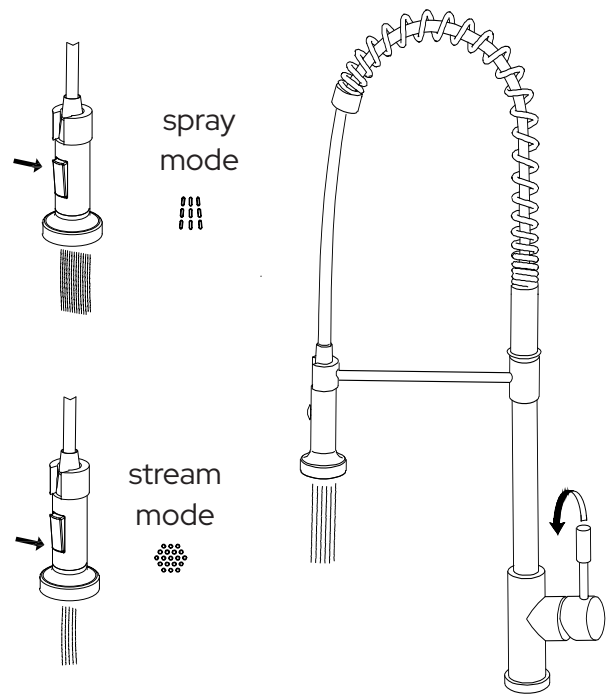
The faucet should be flushed for possible debris prior to using. Remove the nozzle head by hand twisting off. Turn the faucet handle all the way on, turn on the hot and cold water supply and flush water lines for one minute. Re-install the nozzle head by hand twisting back on.



Step 7

Test the spray head while the water is running. Make sure that the nozzle head correctly changes between stream and spray mode properly.

Then turn off the faucet and check that the nozzle head is functioning properly by pulling out or down.



About our products

The tallest of all our high arc faucet designs, the impressive Soneva Semi-Professional Kitchen Faucet is in a category all by itself. Like an uncharted island peak, it rises high and above other contemporary faucets with dramatic styling, a dynamic spring-wrapped spout and convenient 360 swivel functionality. Made from our most durable stainless steel and boasting a Lifetime Limited Warranty, it's sure to make any resort-style kitchen the envy of all who enter.

BOLD, MODERN DESIGNS

Inspired by the world's most exotic locations, every Lulani product is designed to leave a lasting impression. After the initial sketch, our talented team of product engineers complete an extensive R&D process ensuring each piece performs beautifully.

ONLY THE HIGHEST QUALITY OF MATERIALS

We settle for nothing short of perfection. That's why we source only the finest raw materials, components, and finishes. No shortcuts. Only the best for you and your family.

BEAUTY THAT LASTS A LIFETIME

Our quality control experts meticulously test and retest each and every one of our products to ensure they exceed even the highest standards for health, safety and durability. From corrosion, pressure and decay resistance to flow rate and ease of assembly, all of our craftsmanship is backed by an industry-leading Lifetime Limited Warranty.



Congratulations! You've successfully finished installing your new faucet. For troubleshooting questions or concerns, please reference the Owner's Manual

We value your opinion! Don't forget to leave us a review.