

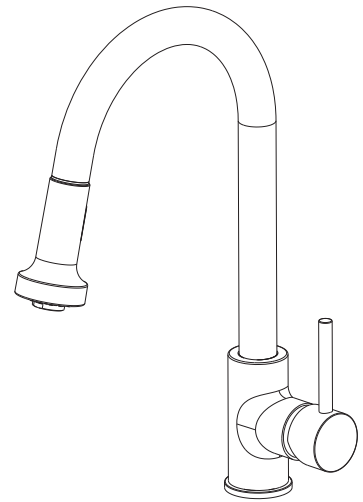


Installation Instructions

St. Lucia

KA-310-30

Single Handle Pull-Down Kitchen Faucet

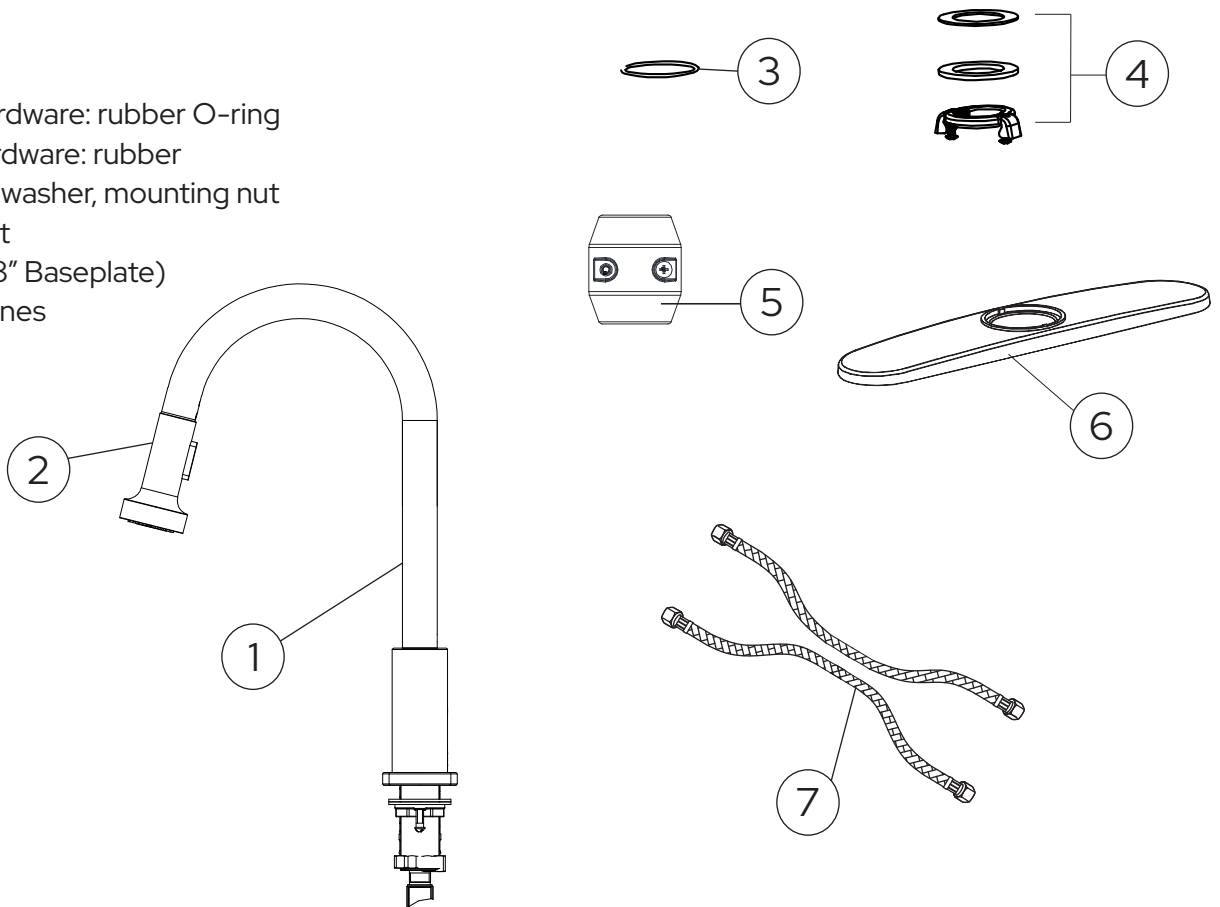


Thank you for selecting Lulani.

To ensure that your installation proceeds smoothly, please read these instructions carefully before you begin.

Parts Included

1. Faucet
2. Spray head
3. Above sink hardware: rubber O-ring
4. Below sink hardware: rubber washer, metal washer, mounting nut
5. Counterweight
6. Escutcheon (8" Baseplate)
7. Water supply lines



Recommended Tools (not included)

- | | |
|-------------------------|---------------------|
| 1. Adjustable Wrench | 6. Measuring Tape |
| 2. Phillips Screwdriver | 7. Silicone Sealant |
| 3. Safety Goggles | 8. Channel Locks |
| 4. Flashlight | 9. Allen Key |
| 5. Bucket | |



Caution: Tips for removal of old faucet

Always turn off the water supply before removing the existing faucet or replacing any part of the faucet. Open the faucet handle to relieve water pressure and ensure that water is completely shut off.

Maintenance

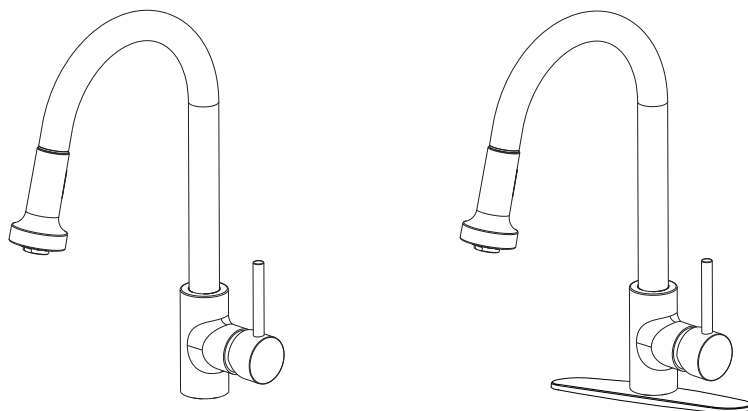
Your new faucet is designed for years of trouble-free performance. Keep it looking new by cleaning it periodically with a soft cloth. Avoid abrasive cleaners, steel wool, and harsh chemicals as these will dull the finish and void your warranty.

Step 1

Your faucet will arrive without the base attached. If you want to use the 3-hole base plate, simply slide the faucet threads through the hole of the base plate.

Determine what type of base you'll need for installation. Does your sink have 1 hole or 3 holes? If your sink has more than 1 hole and you want to cover up the additional holes, consider using the provided base plate. Optional accessories like soap dispensers can also be used in the additional holes.

Note that the sink hole should be $1\frac{3}{8}$ " in diameter.

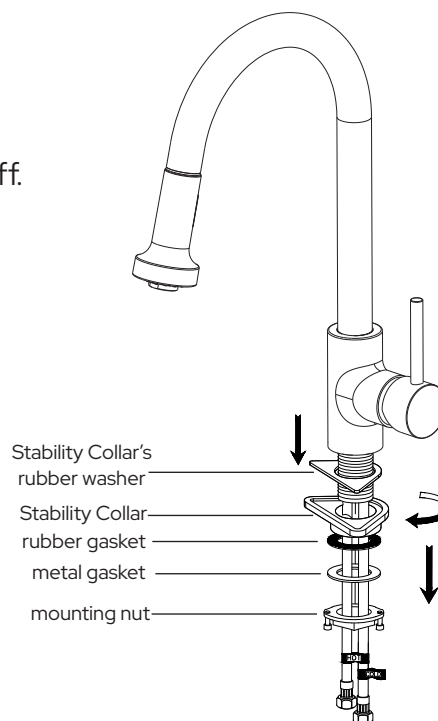


1-hole without base

3-hole with base

Step 2

Remove the rubber washer, Stability Collar, rubber and metal gaskets and the mounting nut from the base by hand twisting off.

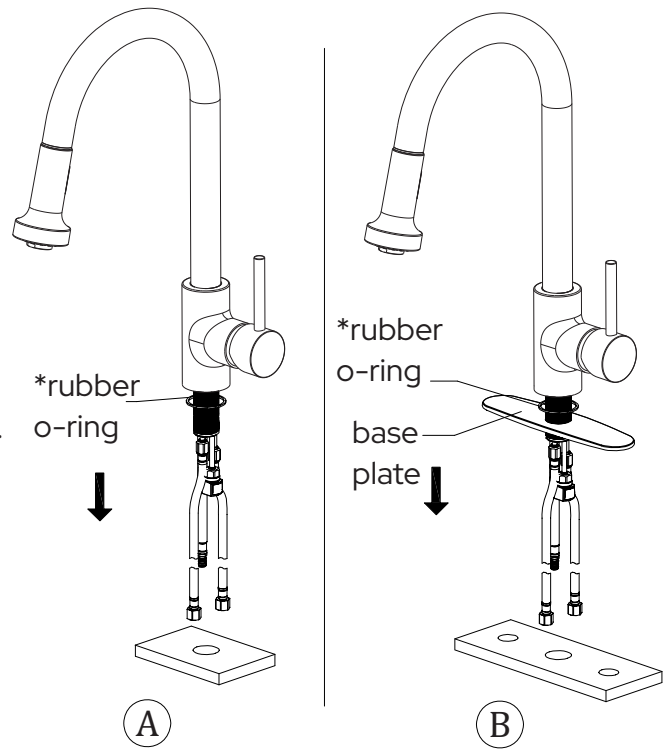


Step 3

A. For 1-hole installation, insert the faucet through the hole on the sink.

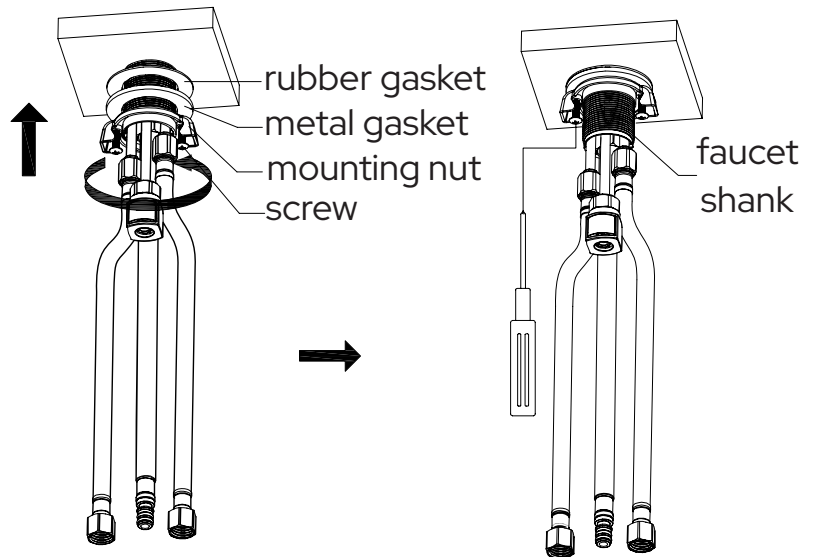
B. For 3-hole installation, insert the faucet in to the base plate and then through the hole on the sink.

*Note: Make sure that the rubber o-ring stays above the mounting surface for 1-hole installation or between the faucet and base plate for 3-hole installation.



Step 4

Secure the faucet by firmly hand tightening the rubber washer, metal washer and mounting nut back on the faucet threads underneath the sink. Tighten the screws on the mounting nut with a Phillips screwdriver.

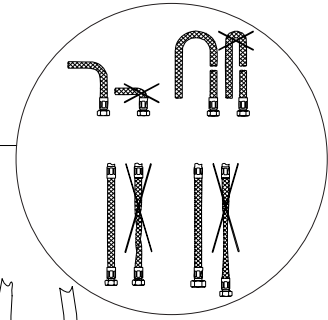


Step 5

Connect the water supply lines to the hot and cold water valves. Tighten with an adjustable wrench. **Do not over tighten.**

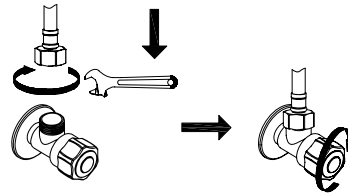
Attention:

Make sure that the inlet hoses are not twisted.



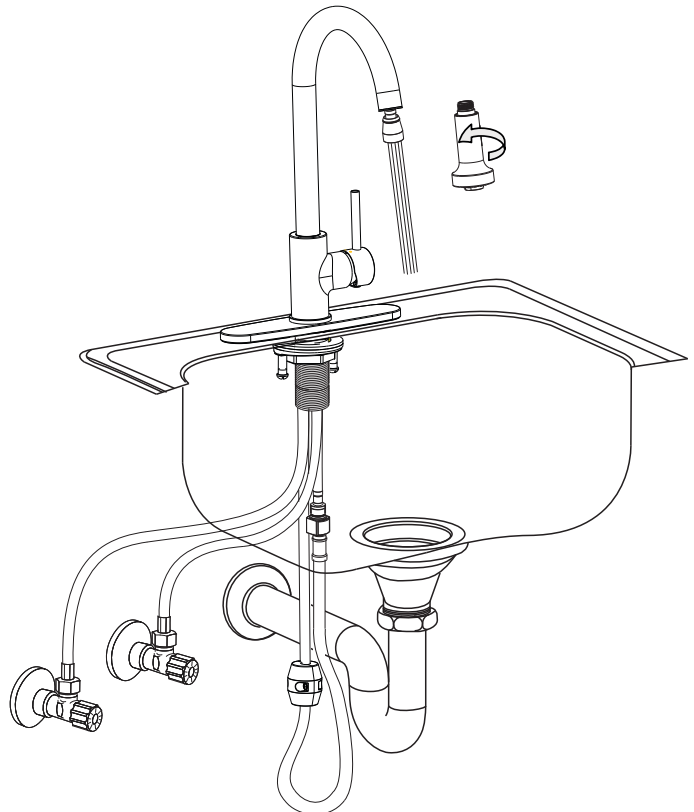
hot supply hose

cold supply hose



Step 6

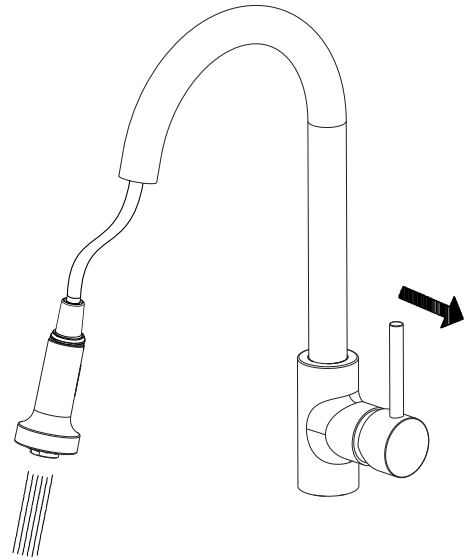
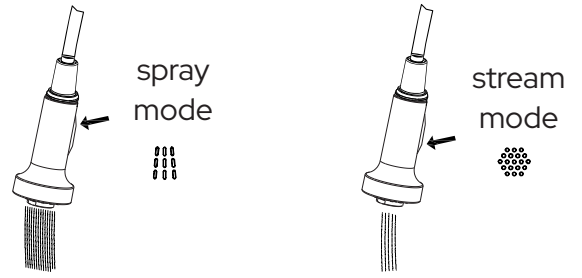
The faucet should be flushed for possible debris prior to using. Remove the nozzle head by hand twisting off. Turn the faucet handle all the way on, turn on the hot and cold water supply and flush water lines for one minute. Re-install the nozzle head by hand twisting back on.



Step 6

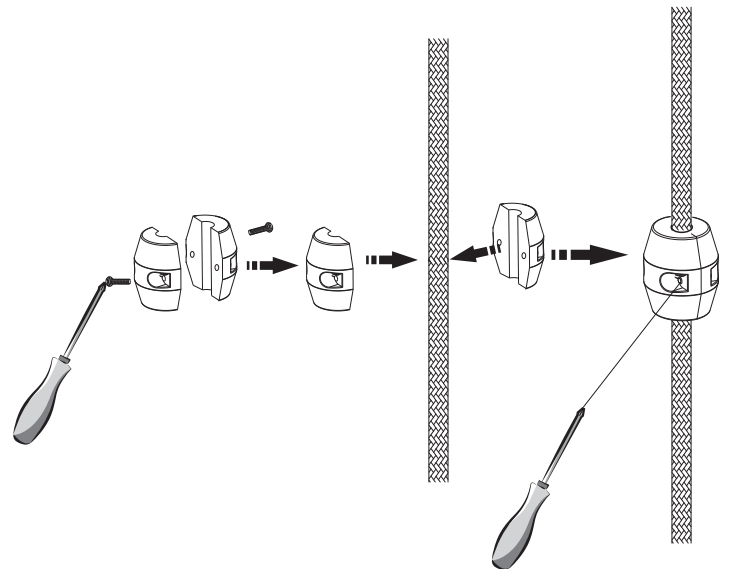
Test the spray head while the water is running. Make sure that the nozzle head correctly changes between stream and spray mode properly.

Then turn off the faucet and check that the nozzle head is functioning properly by pulling out or down.



Step 8

Disassemble the weight and remove the ring. Then assemble the weight onto the water hose, using the ring to adjust the weight. Slide the weight up or down to adjust the pull out-length as needed.



Congratulations! You've successfully finished installing your new faucet. For troubleshooting questions or concerns, please reference the Owner's Manual

We value your opinion! Don't forget to leave us a review.