



## KITCHEN FAUCET

- Maldives Collection
- Pull-Out

### STANDARD SPECIFICATIONS:

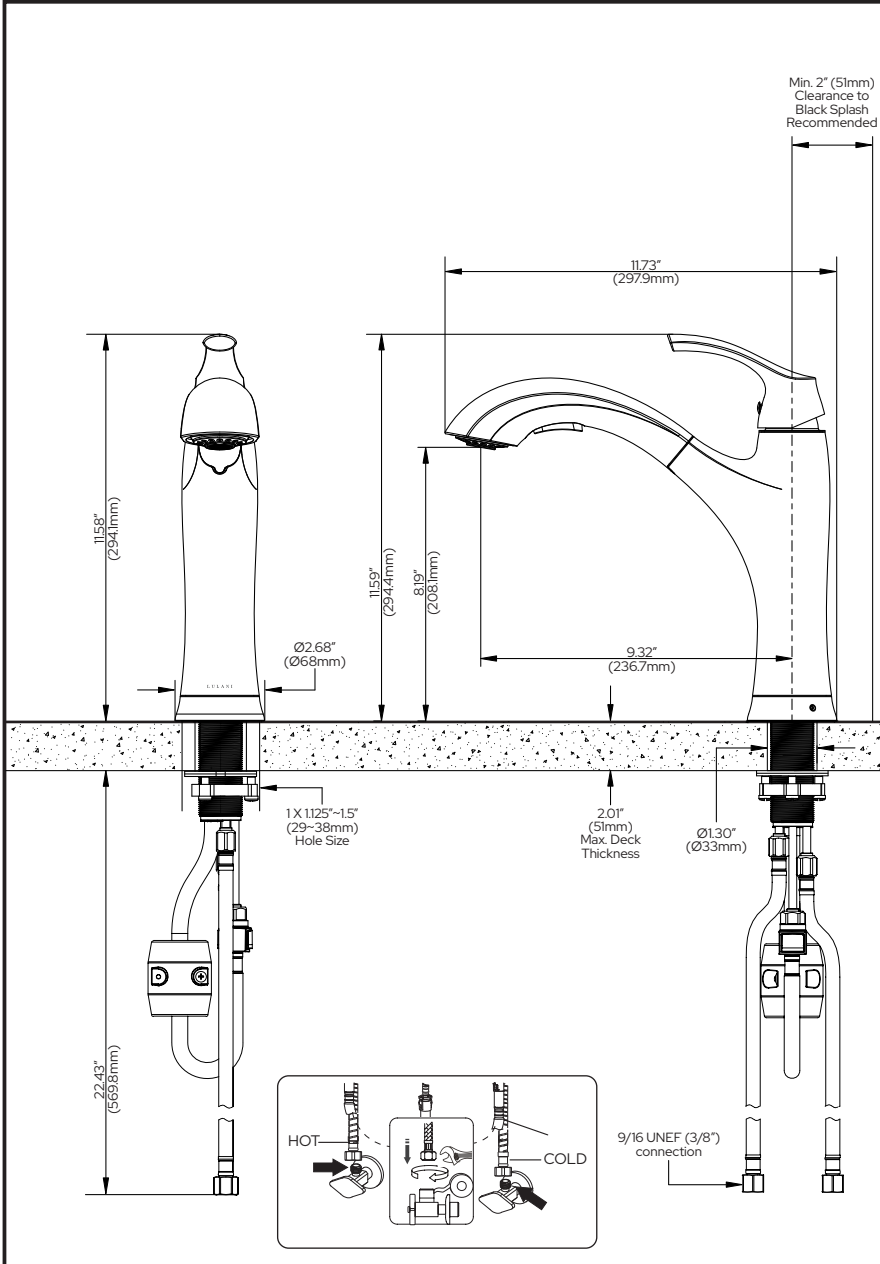
- Max flow rate: 1.8gpm @60 psi, 6.8 L/min @ 414 kPa
- "Lead Free" zinc body, housing and handle, brass cartridge seat, nut and neck, ABS 3-function spray head
- Neoperl brand aerator
- Ceramic disc cartridges
- Includes matching base plate and 3-function spray head
- Deck mount installation
- Hole mount: 1 (or 3 with included base plate)
- Includes: 22" (570mm) long TPV + nylon braided supply line hoses with a 9/16 UNEF (3/8") connection
- Spray hose: Santoprene TPE + nylon braiding
- Maximum deck thickness: 2.01" (51mm)

### AVAILABLE FINISH OPTIONS:

- Chrome
- Matte Black
- Brushed Nickel

### WARRANTY:

- **Consumer Purchasers - Parts and Finish:** Lifetime Limited Warranty; Lulani warrants our faucets (sold in or delivered into the United States or Canada on or after the original date of sale) for as long as the original consumer purchaser owns the product and lives in the residence in which the product is first installed (the "Warranty Period" for homeowners), will be leak and drip-free during normal use and all parts and finishes of this faucet will be free from defects in material and manufacturing workmanship.
- **All other purchasers (including purchasers for industrial, commercial, rental and business use) - Parts and Finish:** Limited 5-Year Warranty; Lulani warrants our faucets for a period of five (5) years from the original date of purchase (the "Warranty Period" for non-homeowners).
- **Electronic Parts (other than batteries and if applicable):** Lulani faucets are warranted to be free from defects in material and workmanship for five (5) years from the date of the original purchase or, for commercial purchasers, for one (1) year from the date of the original purchase. No warranty is provided on batteries.



▲ Designate proper finish suffix

Lulani reserves the right (1) to make changes in specifications and materials, and (2) to change or discontinue models, both without notice or obligation. Dimensions are for reference only. See current full-line price book or [www.lulani.com](http://www.lulani.com) for finish options and product availability.

