

**K1984901, K1984902, K1984916, K1984949 - Wall Mounted PotFiller**

**Description**

**WALL MOUNTED POT FILLER**

- Modern style
- Solid brass construction
- Dual shut off valves
- Easy installation design
- 2.5 GPM

**Standards**

- Certified with IAPMO UPC/cUPC
- California AB100 Complaint
- ADA Accessibility Guidelines for Buildings and Facilities - 427.4 Controlled Mechanisms



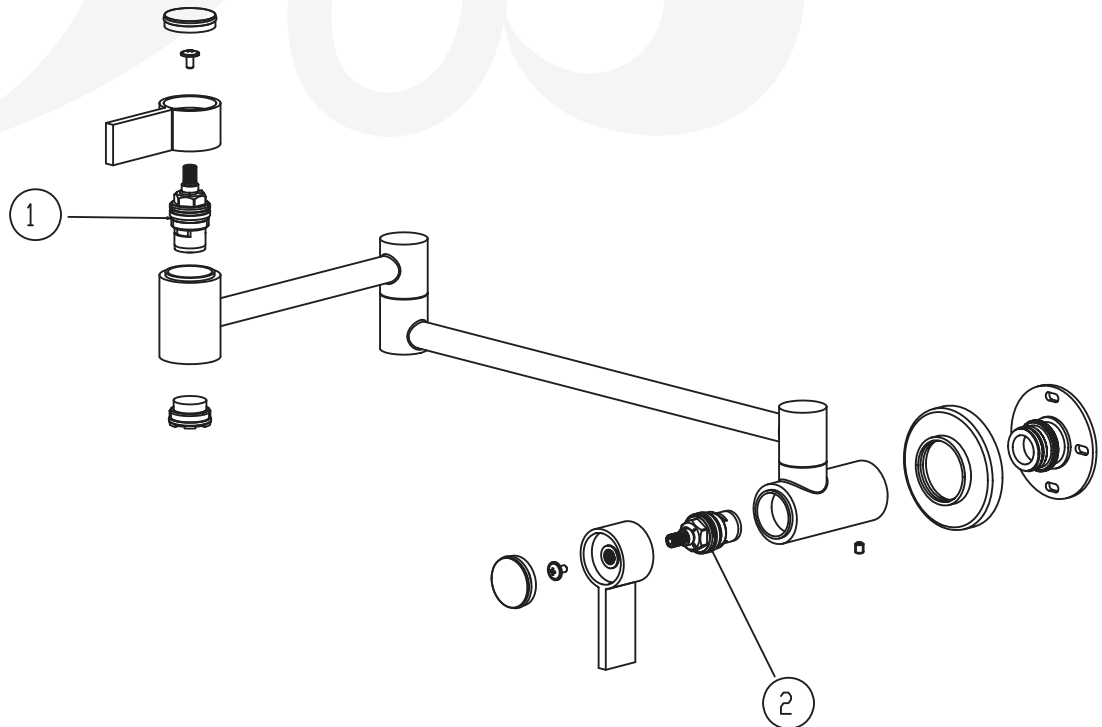
**K1984901**

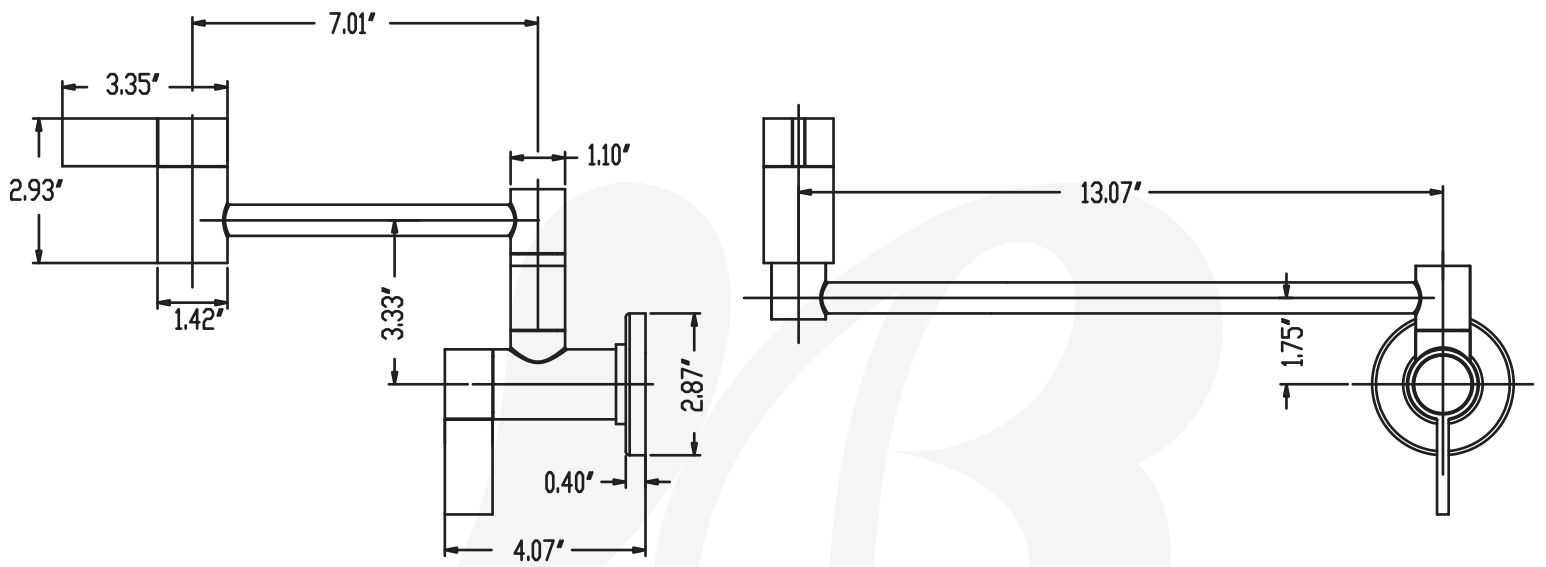
**Colors / Finishes**

- K1984901** Chrome
- K1984902** PVD Satin Nickel
- K1984916** PVD Satin Brass
- K1984949** Matte Black

**BREAK DOWN**

NO.	Description	Qty
01	CARTRIDGE	1
02	CARTRIDGE	1





Item Number	Type	Date
K1984901, K1984902, K1984916, K1984949	Wall Mount Pot Filler	05/09/2023