

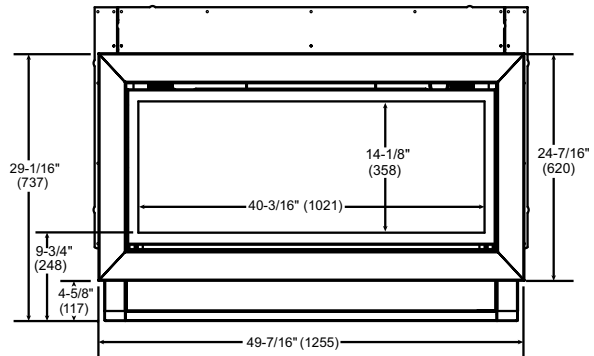
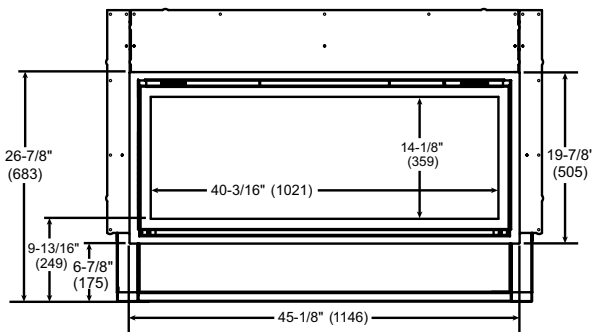
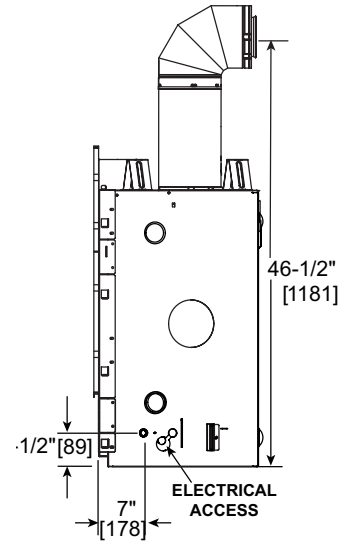
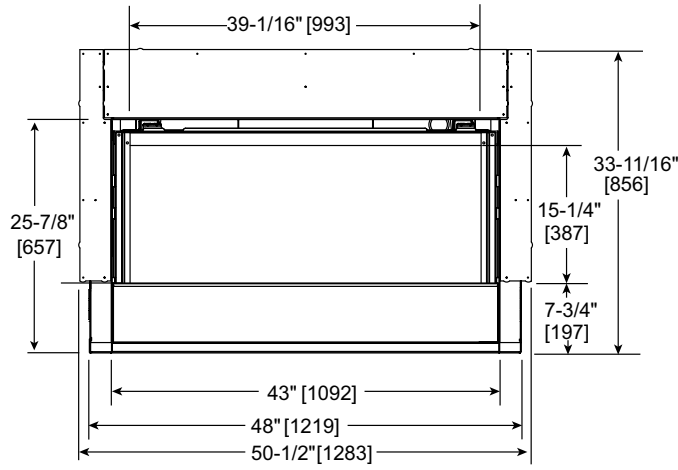
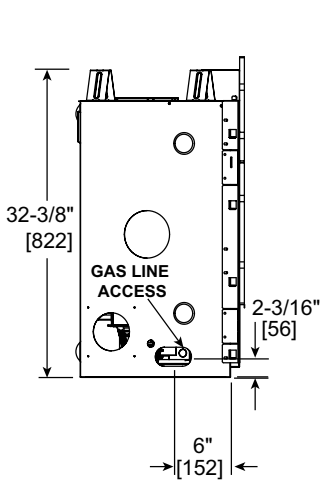
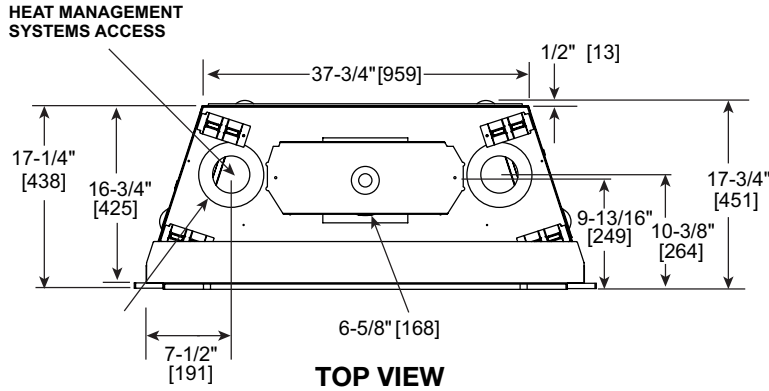
MAJESTIC

Please consult the manufacturer's installation manual for all details and requirements before making a final design layout decision.

JADE 42

Direct Vent Gas Fireplace

MODEL	FRONT WIDTH		BACK WIDTH		HEIGHT		DEPTH		GLASS SIZE
	ACTUAL	FRAMING	ACTUAL	FRAMING	ACTUAL	FRAMING	ACTUAL	FRAMING	
JADE42IN-B 25,250 BTU (NG) 23,500 BTU (LP)	48" (1219)	49" (1245)	37-3/4" (959)	49" (1245)	33-11/16" (856)	32-3/4" (832)	17-3/4" (451)	17-3/4" (451)	39-1/16" x 15-1/4" (992 x 387)



MINIMUM FIREPLACE CLEARANCES / CLEARANCES TO COMBUSTIBLES

AREA	TO COMBUSTIBLES
CLEARANCE TO CEILING	31" [787]
NON-COMBUSTIBLE FLOOR	0" [0]
COMBUSTIBLE FLOORING	0" [0]
BEHIND APPLIANCE	1/2" [13]
SIDES OF APPLIANCE	1/2" [13]
FRONT OF APPLIANCE	36" [914]

MEASURE FROM TOP OF APPLIANCE OPENING IN CEILING

31" [787]

0"

0"

36" [914]

1/2" [13]

1/2" [13]

FRAMING DIMENSIONS

NOTE: Header MUST be installed on end as shown in the diagram.

8-5/8" [219]

HEADER: Two 2 X 4s or Two 2 X 6s installed on end

32-3/4" [832]

17-3/4" [451]

49" [1245]

APPLIANCE LOCATION

19-1/2" (495)

51-3/8" (1311)

1/2"

51-3/8" (1311)

72-5/8" (1845)

TOP VENT ONE 90° ELBOW

SEE INSTALL MANUAL FOR ALCOVE INSTALLATION

Refer to Section 10.C for mantel and wall projection information in installation manual. Consider the mantel or cabinet system to be installed and comply with the necessary requirements for elevated hearth. Refer to instructions included with cabinet system.

TOP VENT ONE 90° ELBOW

49" (1245)

18" (457 mm) required when Passive Heat Side Discharge Kit is installed.

17-1/4" (438)

NON-COMBUSTIBLE MANTEL PROJECTIONS (or other materials above appliance)

1/2" THICK WALL SHEATHING

12" MAX. NON-COMBUSTIBLE MANTEL

14" MIN. BOTTOM OF MANTEL TO TOP OF APPLIANCE OPENING

6" MAX.

Non-combustible Mantels

WALL PENETRATION

DO NOT PACK WITH INSULATION OR OTHER MATERIAL

10"

10"

46-1/2" [1181]

47-1/2" [1207]

Shows center of vent framing hole for top or rear venting. The center of the hole is 1" (25mm) above the center of the horizontal vent pipe.

MANTEL PROJECTIONS (or other materials above appliance)

12" TO CEILING

9"

6"

3"

9"

11"

13"

14"

Combustible Mantels

12" TO CEILING

9"

6"

3"

6"

8"

10"

11"

Combustible Mantels - Passive Heat Kit Installed

MANTEL LEG/WALL PROJECTIONS

6" MIN.

WALL 3' MAX.

APPLIANCE OPENING

7" MIN.

WALL UNLIMITED

APPLIANCE OPENING

PRODUCT LISTING CODES	
US	ANSI Z21.88-2017
CAN	CSA 2.33-2017
US LISTED	UL307B

Product information provided is not complete and is subject to change without notice. Product installation must adhere strictly to instructions accompanying product to avoid risk of fire and potential injury.