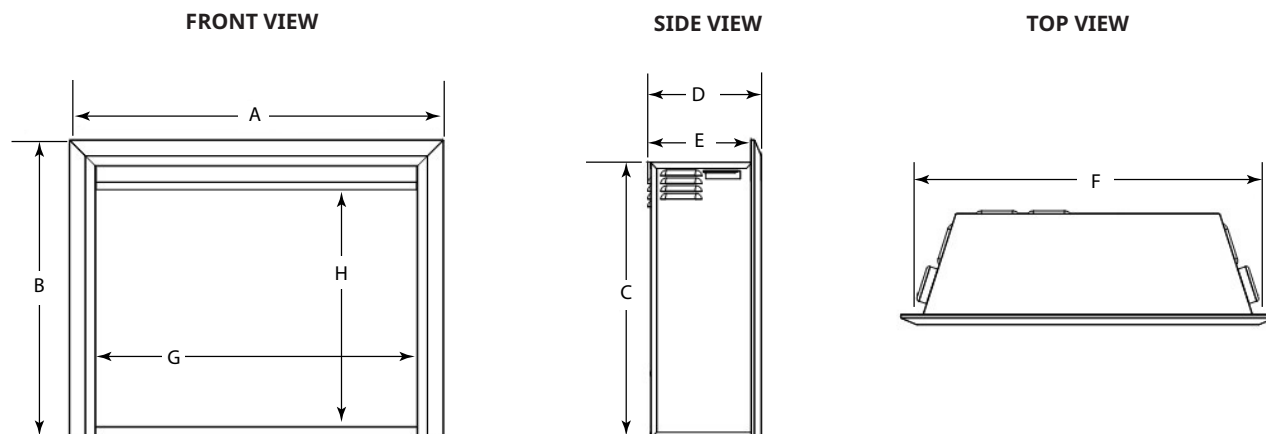




Please consult the manufacturer's installation manual for all details and requirements before making a final design layout decision.

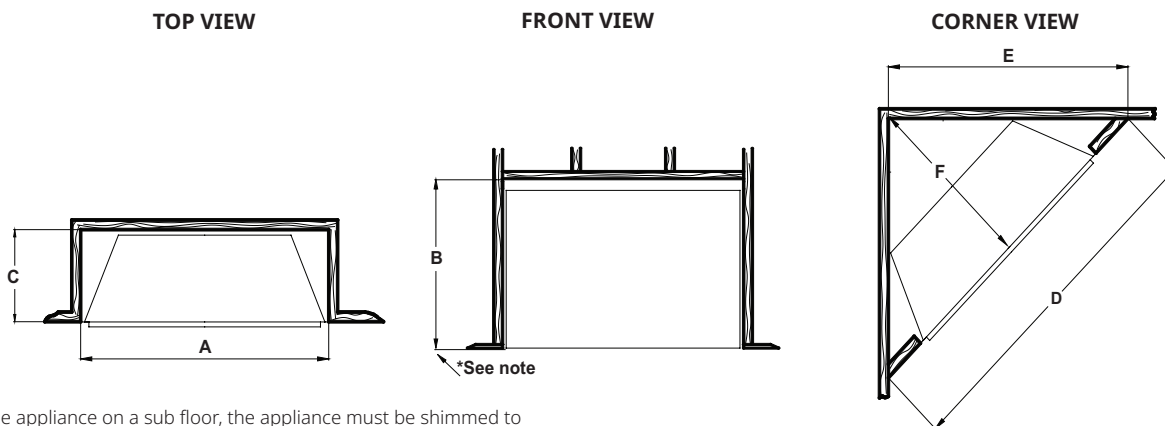
32" Electric Fireplace Insert

WATTS	Front Width (A)	Front Height (B)	Unit Height (C)	Depth (D)	Depth (E)	Unit Width (F)	Viewing Area (G x H)
1,500	31-7/16" [799]	20-9/16" [522]	19" [483]	8-3/4" [222]	8" [203]	28-1/8" [714]	27-3/8" x 16" [695 x 406]



Framing Dimensions

Framing Width (A)	Framing Height (B)*	Framing Depth (C)	Framing Width (D)	Framing Depth (E)	Framing Depth (F)
29-3/8" [746]	19-3/4" [502]	8-3/4" [222]	39-1/4" [997]	27-3/4" [705]	19-5/8" [498]



*If installing the appliance on a sub floor, the appliance must be shimmed to accommodate the finishing floor thickness. B will increase accordingly.

ELECTRICAL CONNECTION REQUIREMENTS

CIRCUIT: 15 AMP, 120V/60 Hz	CONNECTION METHOD: Plug-in	BTUS: 5,000
-----------------------------	----------------------------	-------------

PRODUCT LISTING CODES	
US	UL 2021; CSA C22.2 No. 46 - 13
INTERNATIONAL	UL 2021; CSA C22.2 No. 46 - 13



Product information provided is not complete and is subject to change without notice. Product installation must adhere strictly to instructions accompanying product to avoid risk of fire and potential injury.

Additional information can be found at simplifire.com



Lakeville, MN
Phone: 888-427-3973 952-985-6000