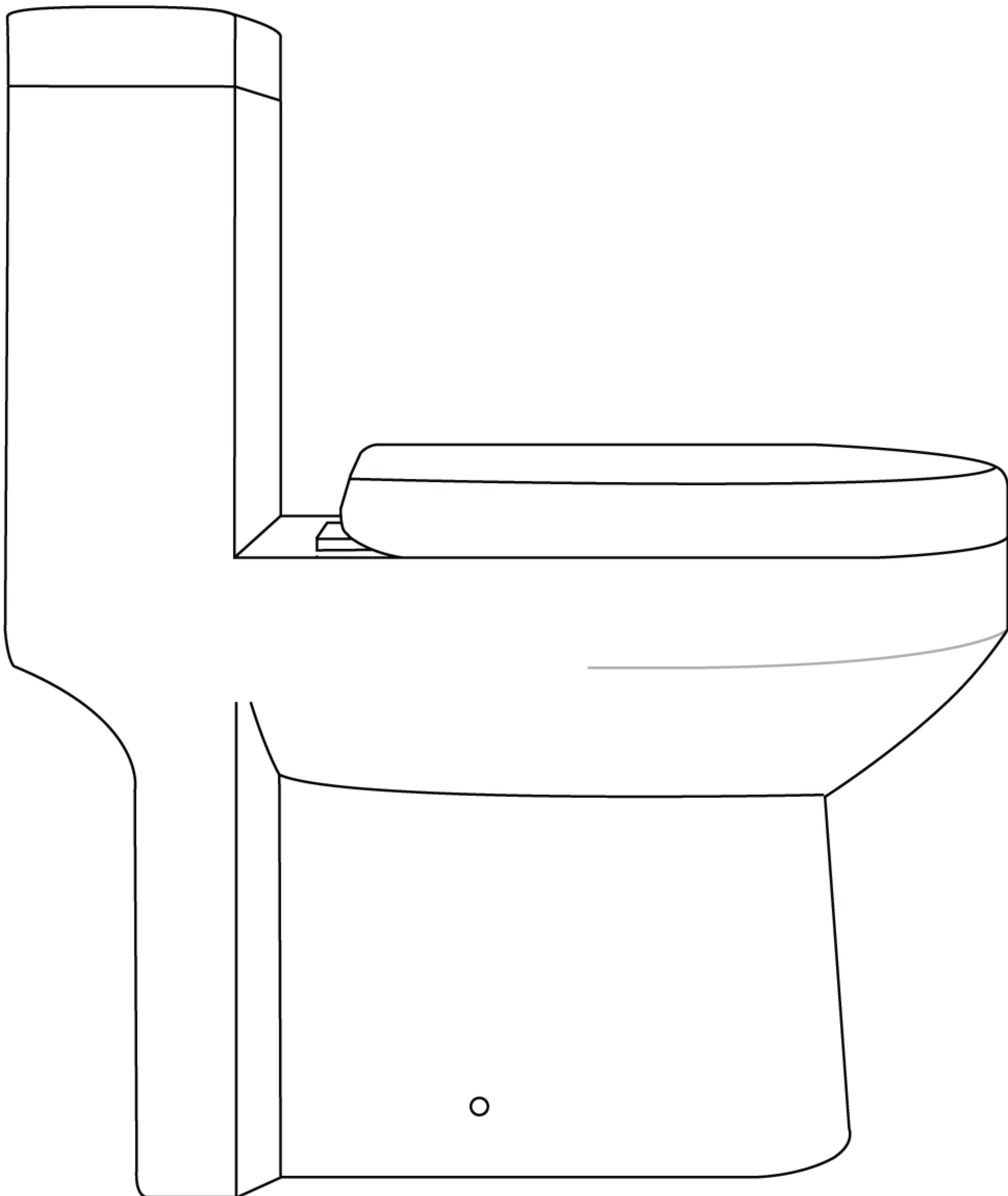


INSTALLATION INSTRUCTIONS

DeerValley®

One-Piece Toilet



NOTE: Drawings may not exactly define contour of the product.



Prior to Installation:

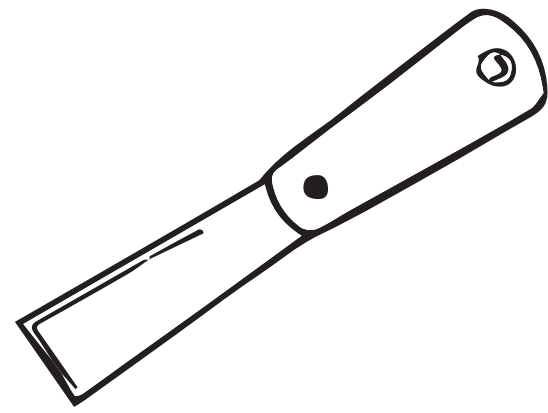
- Inspect toilet to ensure no damages have occurred while in shipping.
- Observe all plumbing and building codes in accordance with your state and local requirements.
- Remove old toilet.
- Make sure mounting surface is CLEAN and LEVEL.

General Recommendations:

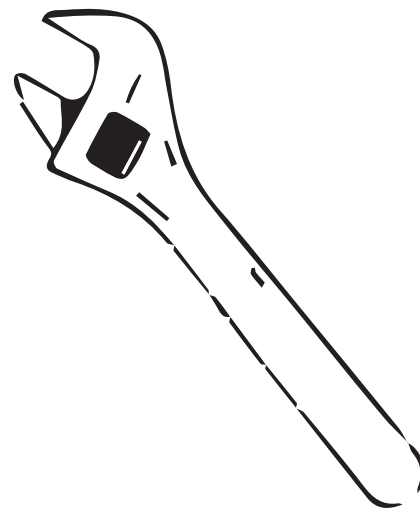
Please read installation and maintenance instructions thoroughly before installing the toilet.

Be sure to use proper tools and always wear proper personal safety accessories for your protection.

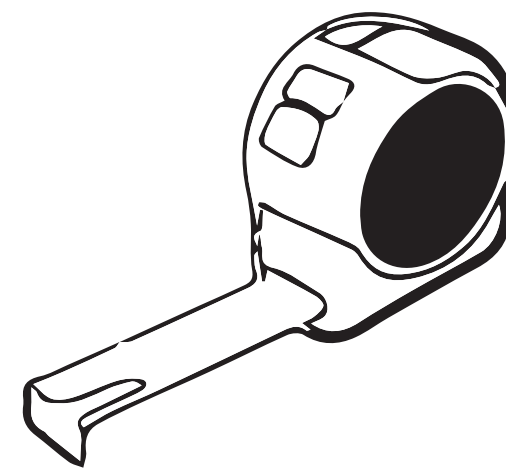
SUGGESTED TOOLS AND MATERIALS



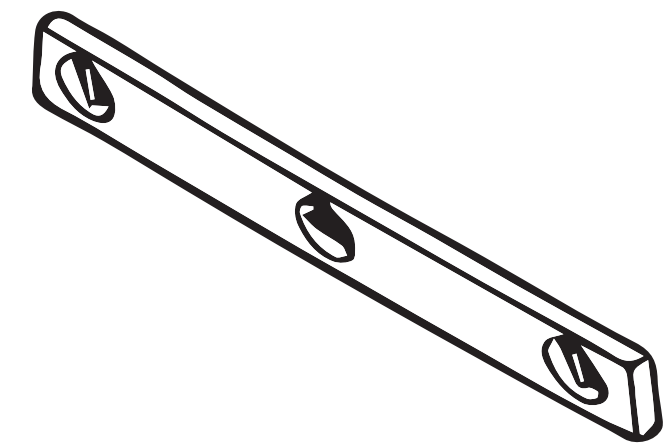
Putty Knife



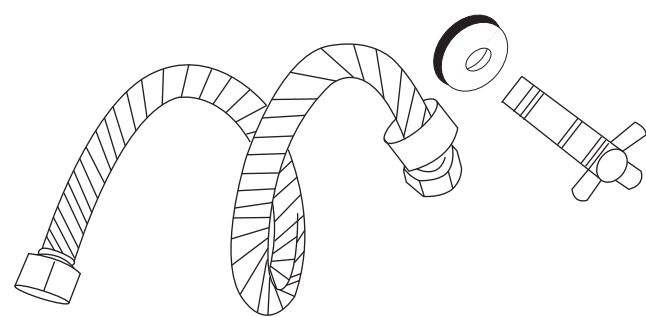
Wrench



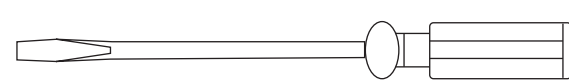
Tape Measure



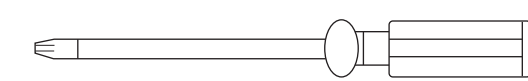
Level



Water Supply Kit



Flat Head Screwdriver



Cross Screwdriver

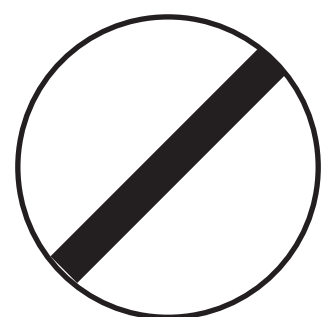
PARTS LIST

- Push button, tank lid, water fitting, soft-close toilet seat, bolts kit, wax ring, installation instruction.

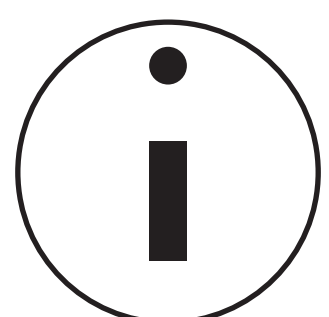
The step-by-step guidelines in the installation instructions are a general reference for installing a DeerValley One-Piece Toilet. Should there be any discrepancies, DeerValley cannot be held liable. It is recommended to install all DeerValley Products by hiring a licensed professional.



1. Read the complete instruction manual before beginning installation.



2. Confirm that your model will fit in intended location and plumbing fixtures are located where legally required before beginning installation.



3. Not all drawings on this manual are drawn to scale. Please refer to the model chart.

4. Two people are recommended to install and move this product.

5. Product is FRAGILE! To avoid breakage and possible injury handle with care.

NOTE: Specialized tools may be necessary to install DeerValley One-Piece Toilet, plumbing not included.

1. Remove Old Toilet

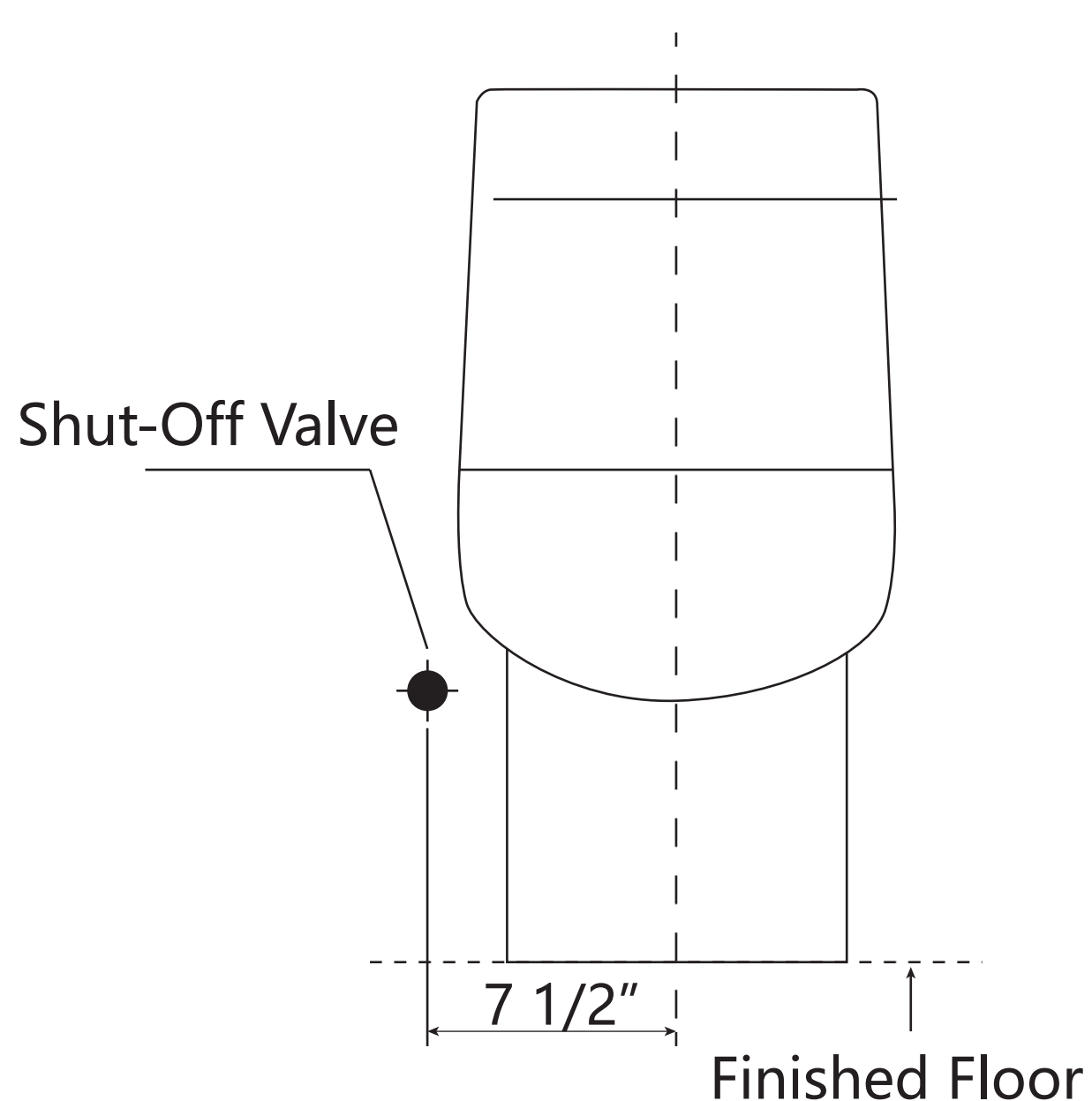
- Turn off the water supply.
- Flush the toilet to empty the tank. Remove any water left in the tank or bowl.
- Disconnect the supply line from the tank.
- Remove decorative caps. Unscrew nuts that attach the toilet to the floor.
- Remove toilet.
- Make sure the water supply valve is shut off before installation.
- Remove old closet bolts from closet flange. Clean any old wax, putty, etc. from base area.

IMPORTANT NOTE REGARDING WATER SUPPLY:

(1) Shut-Off Valve Distance

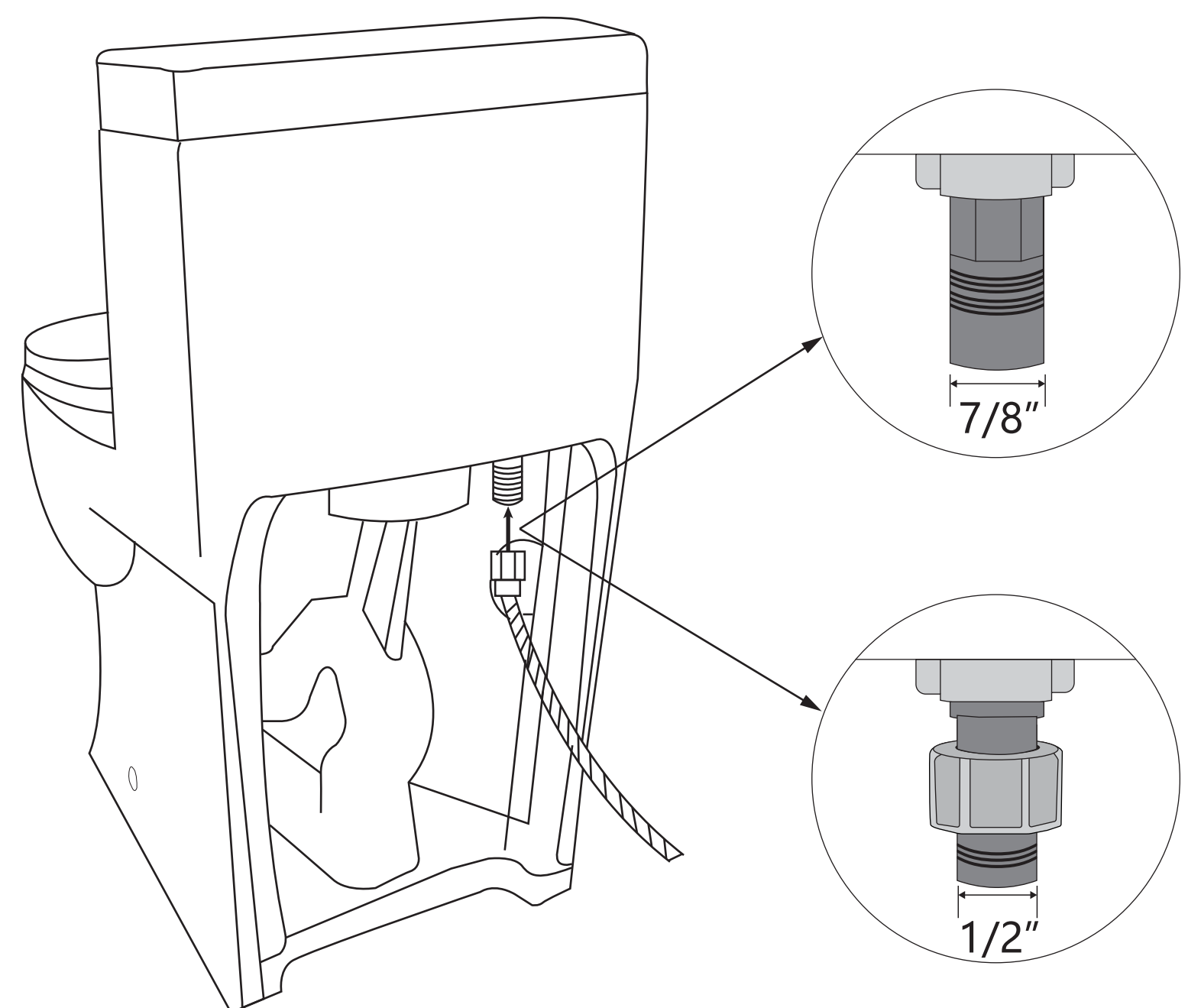
Before installation ensure that the shut-off valve is greater than 7 1/2" from the center of the drain to the center of the shut-off valve on either side.

NOTE: This is a true 12" rough-in toilet from finished wall to center of the drain (no less than 12"). Baseboard thickness may reduce rough-in dimension.



(2) Inlet Valve Adapter Included

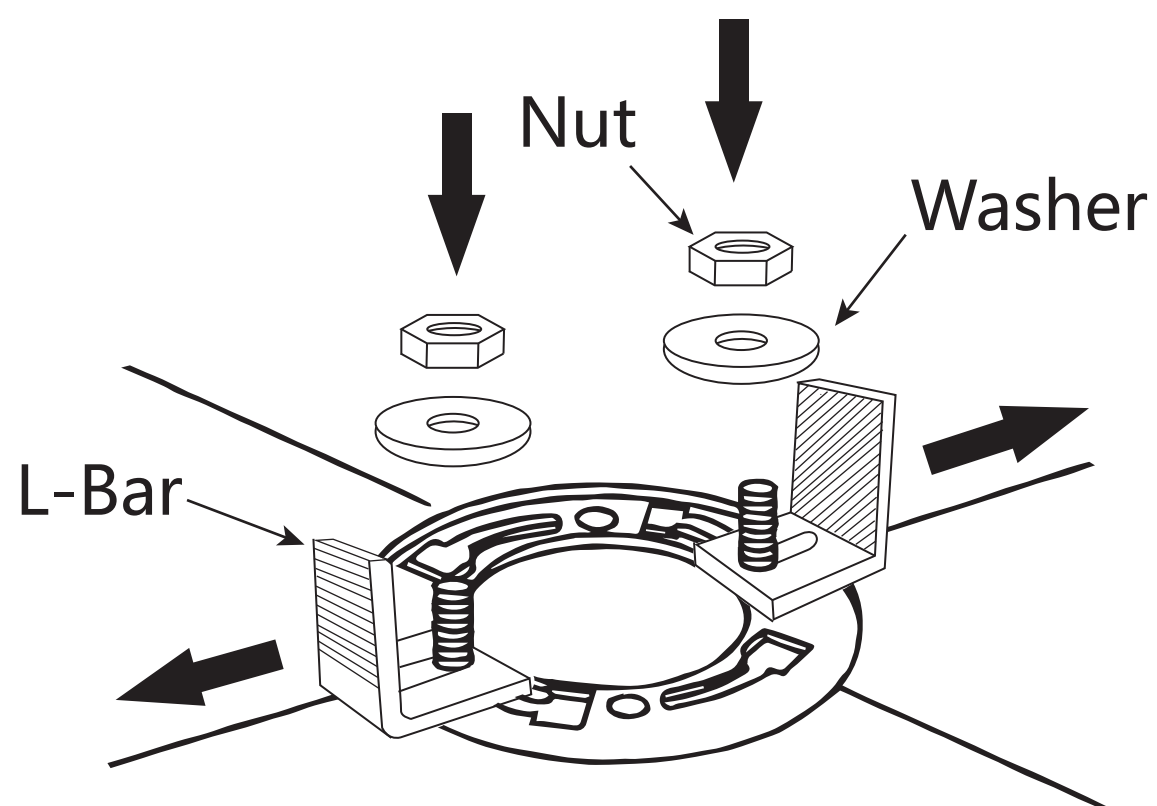
The toilet inlet valve connection comes with an adapter so that the size of the water supply line that can be connected is 1/2" and 7/8", please tighten or unscrew the adapter according to your supply line size to connect.



NOTE: Drawings may not exactly define contour of the product.

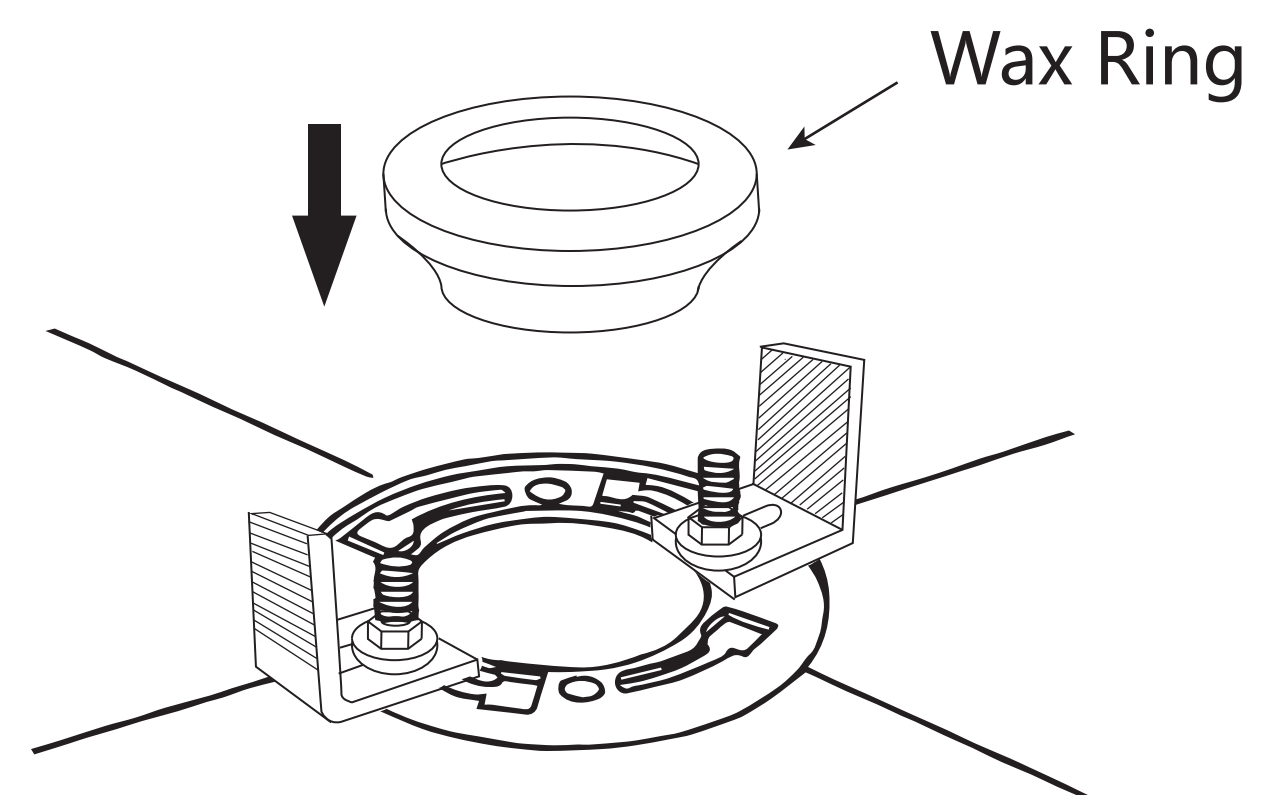
2. Install the Floor Bolts and L-bar

- Install the floor screws to the toilet flange to adjust to the proper position. Please note that the two screws and the center of the flange must be in a straight line.
- Place the L-Bar, washer and nut in sequence and tighten the nut after pulling the L-Bar to its maximum distance.



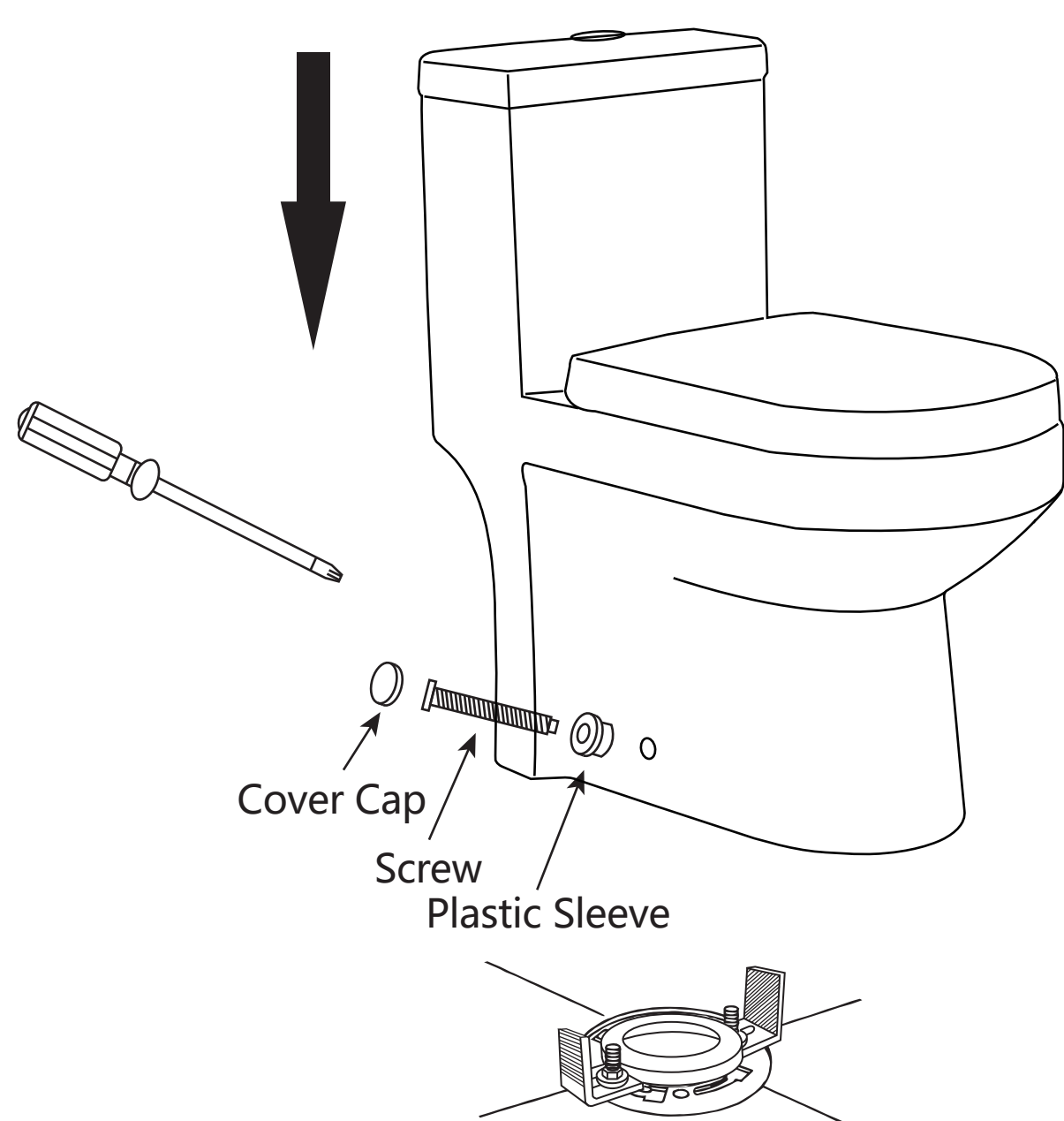
3. Install Wax Ring

- Install the wax ring and adjust the L-bar and fasten it. Please make sure the L-bar is in a straight line.



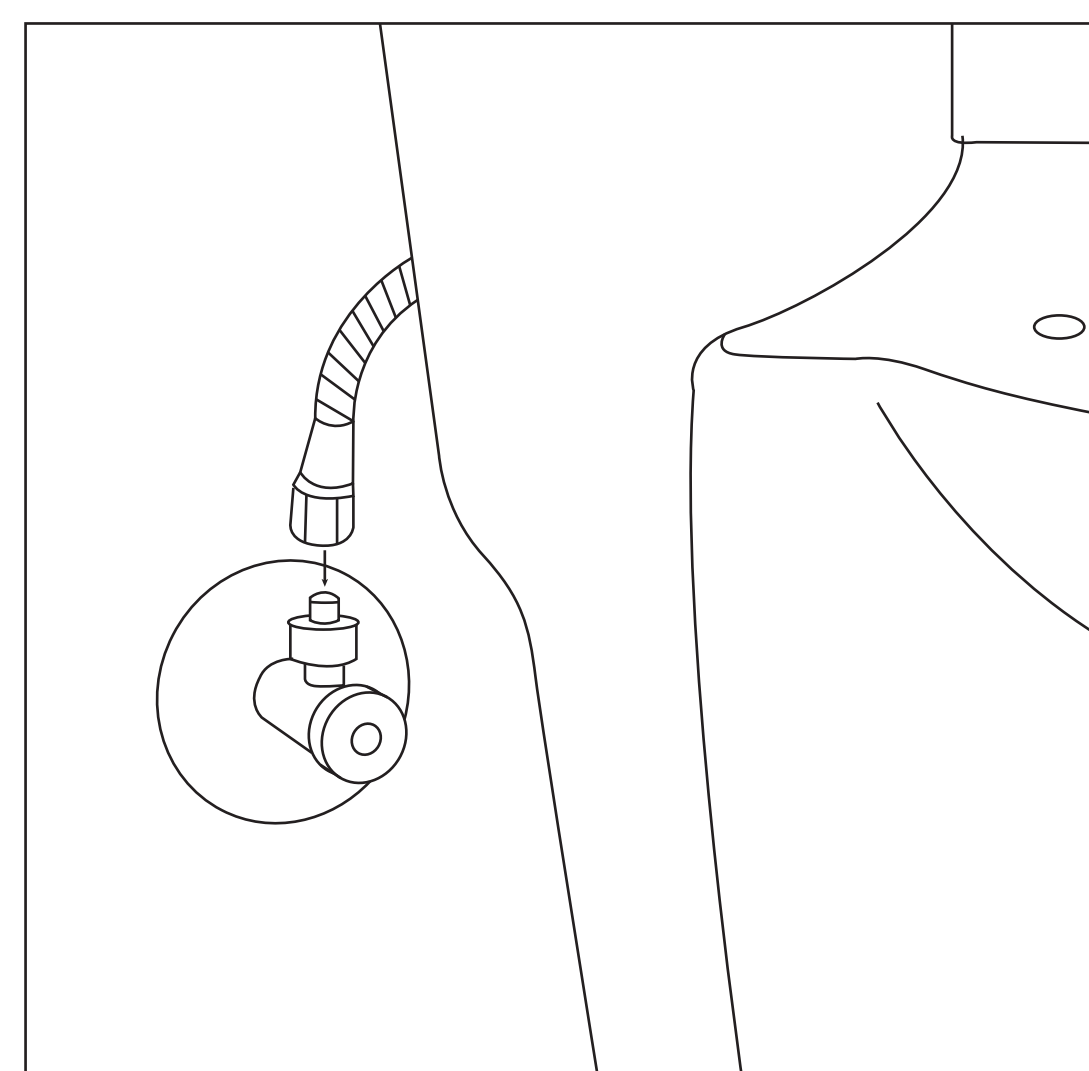
4. Position Toilet on Flange

- Place the toilet on the flange then rock to press the bowl completely tight on the wax ring and flange.
- Attach the screws to the plastic sleeve and install in the two small holes on the side of the toilet, fasten with a cross screwdriver and then install the cap.



5. Install Toilet

- Connect the flexible water supply line (not included) to the shut-off valve and perform a flush test to check for leaks.



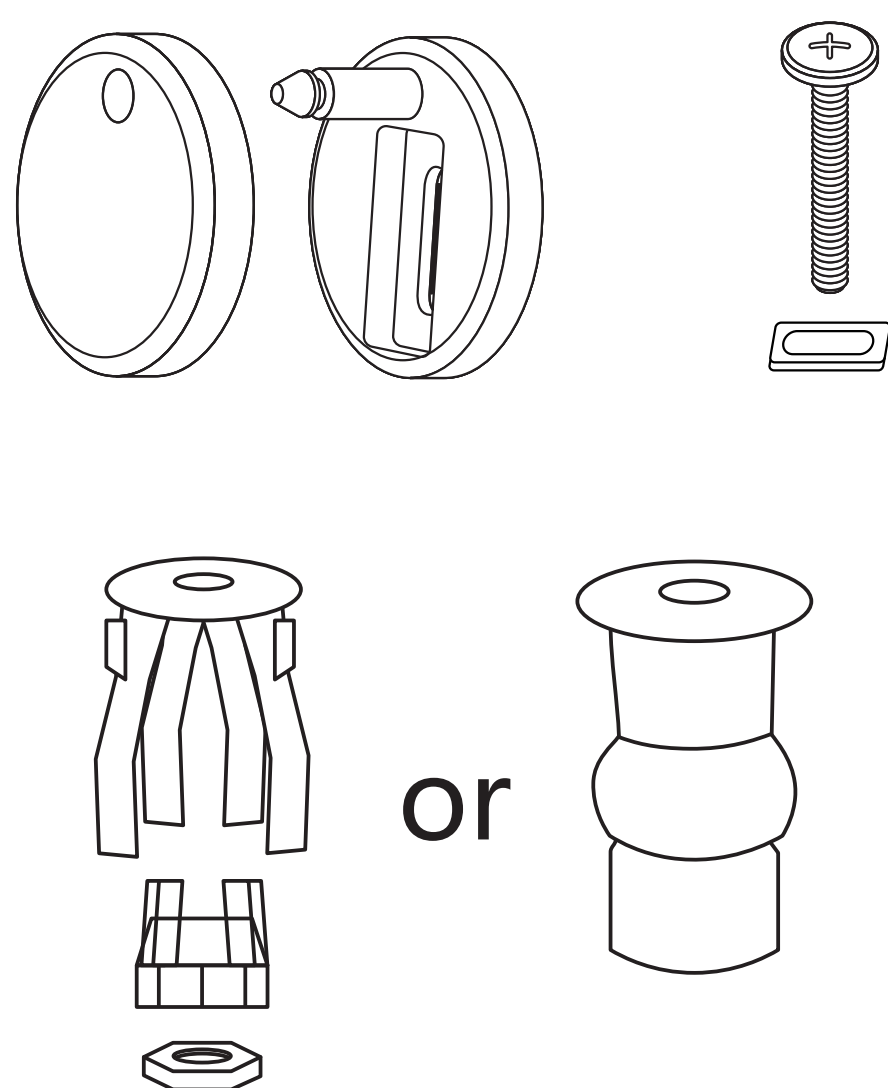
NOTE: Drawings may not exactly define contour of the product.

6. Toilet Seat Installation

● DV-F816S01 Toilet Seat Installation Package

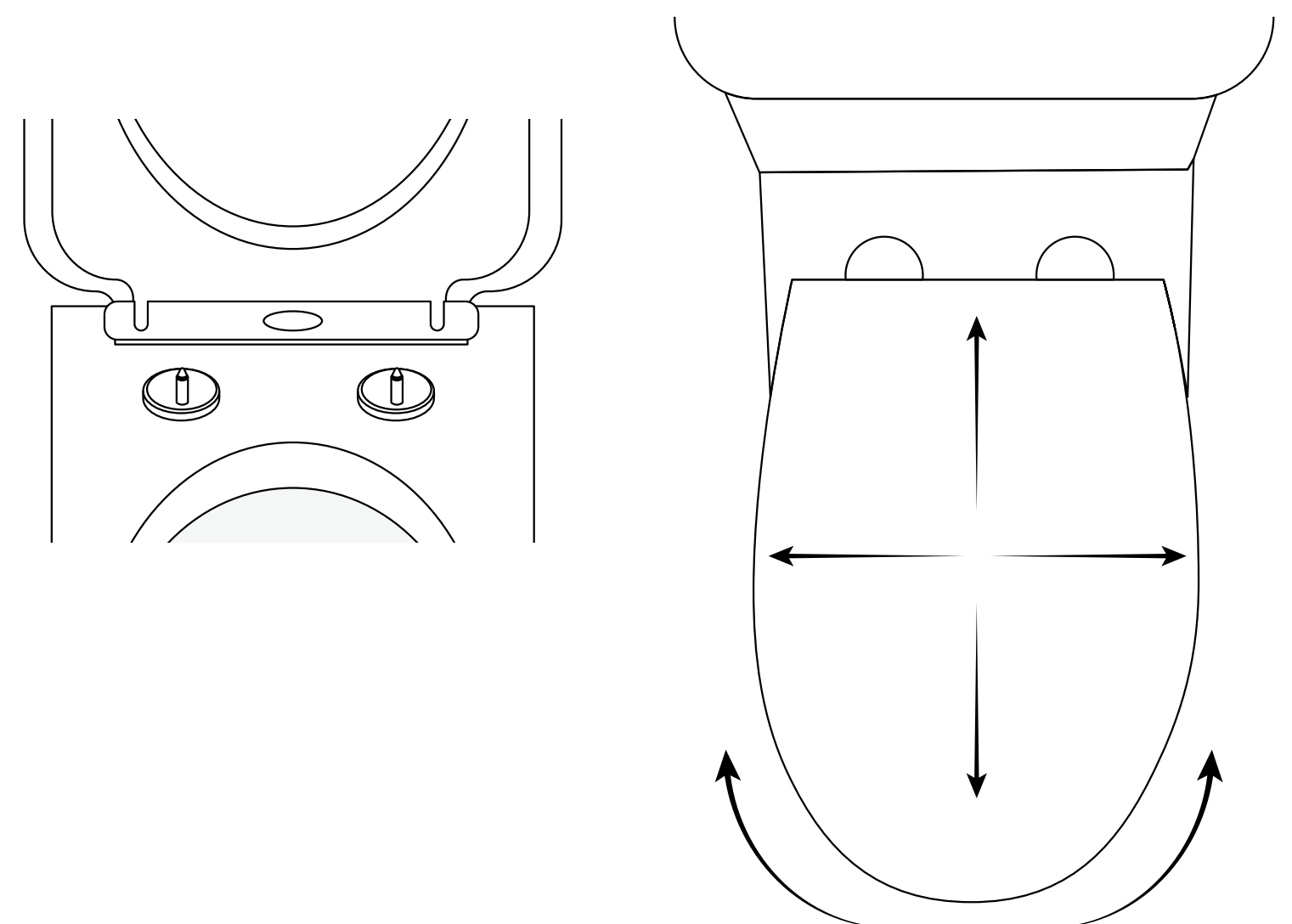
(1) Accessories

Unwrap the toilet seat installation package.



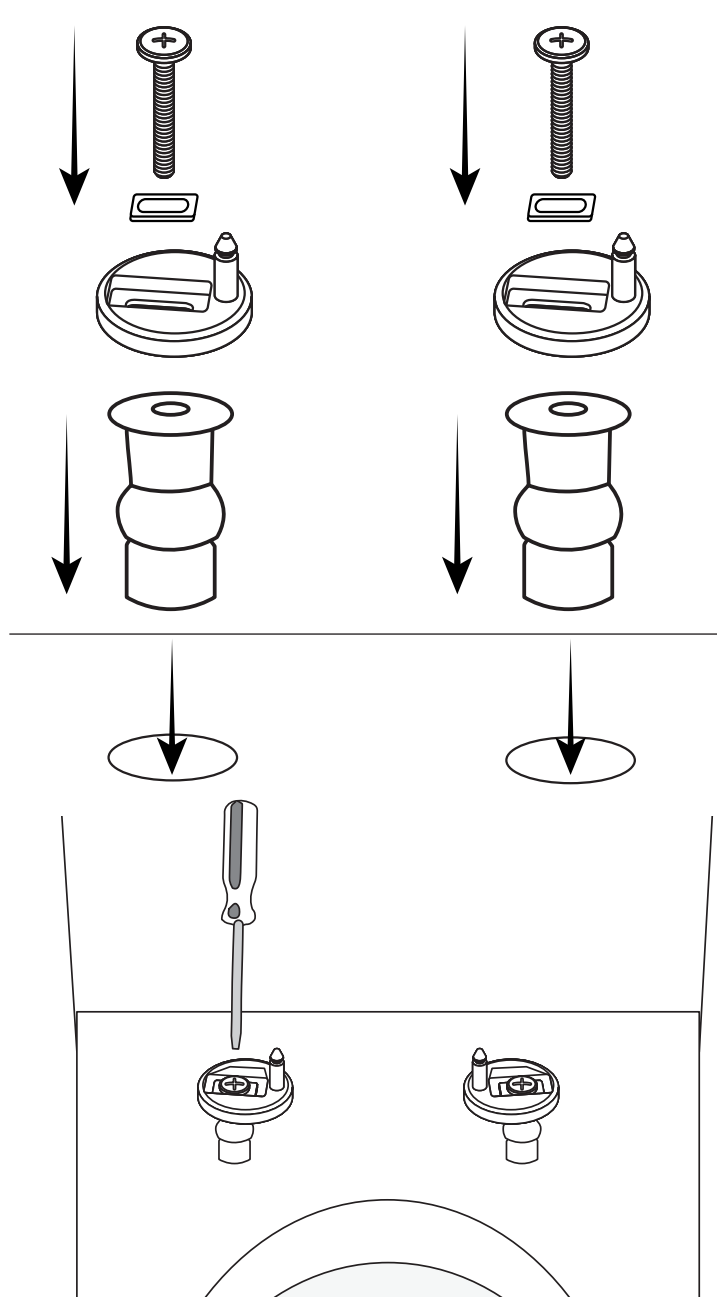
(3) Adjust the Seat Position

Plug the toilet seat in and adjust the position properly.



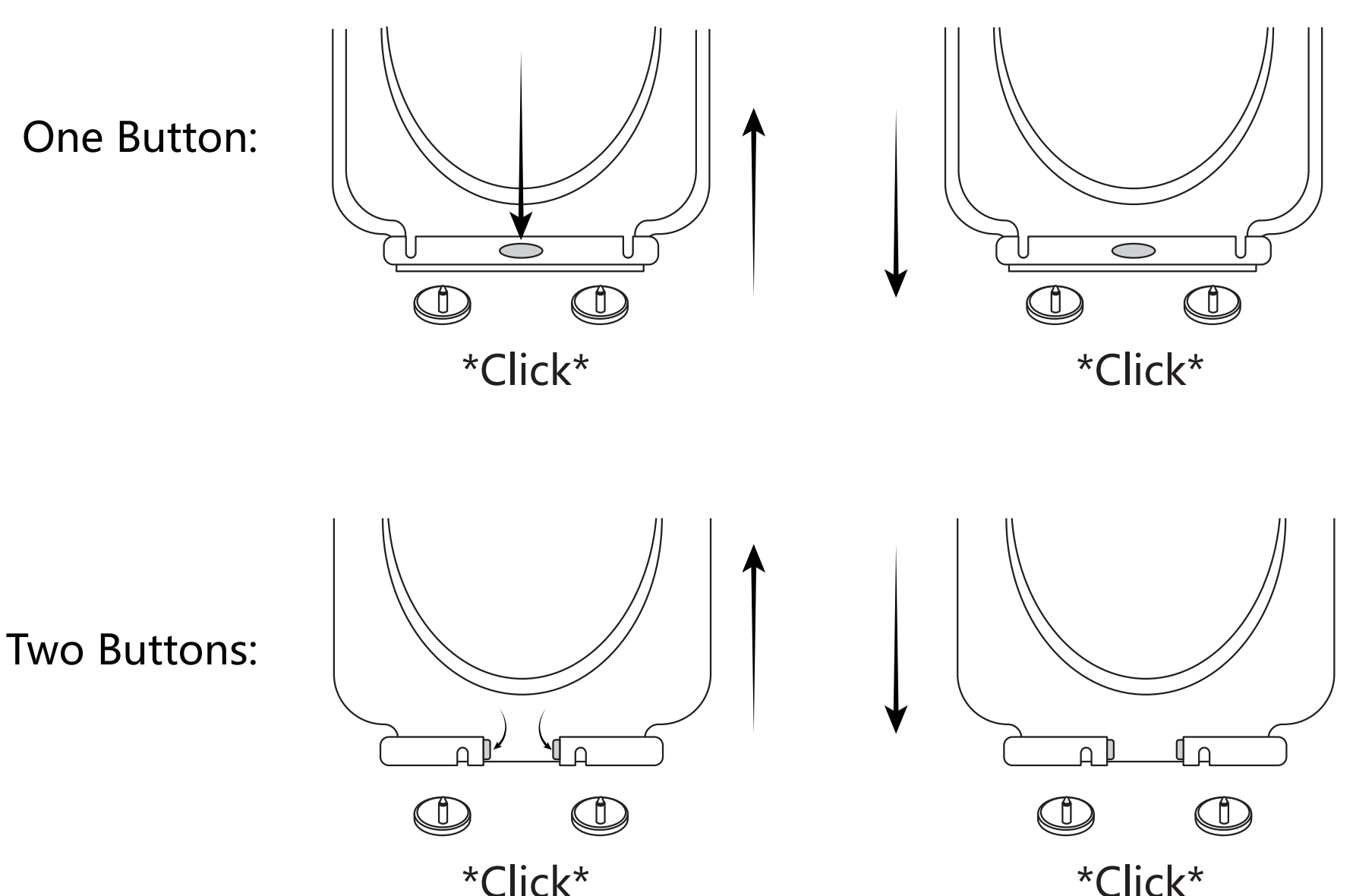
(2) Install Accessories

Install the seat cover cap and hinge, then fasten the screws slightly and adjust the angle of the pins on the hinge.



(4) Install the Seat

Confirm the position of the toilet seat and take it out, fasten the screws and put the hinge caps on, then install the toilet seat.

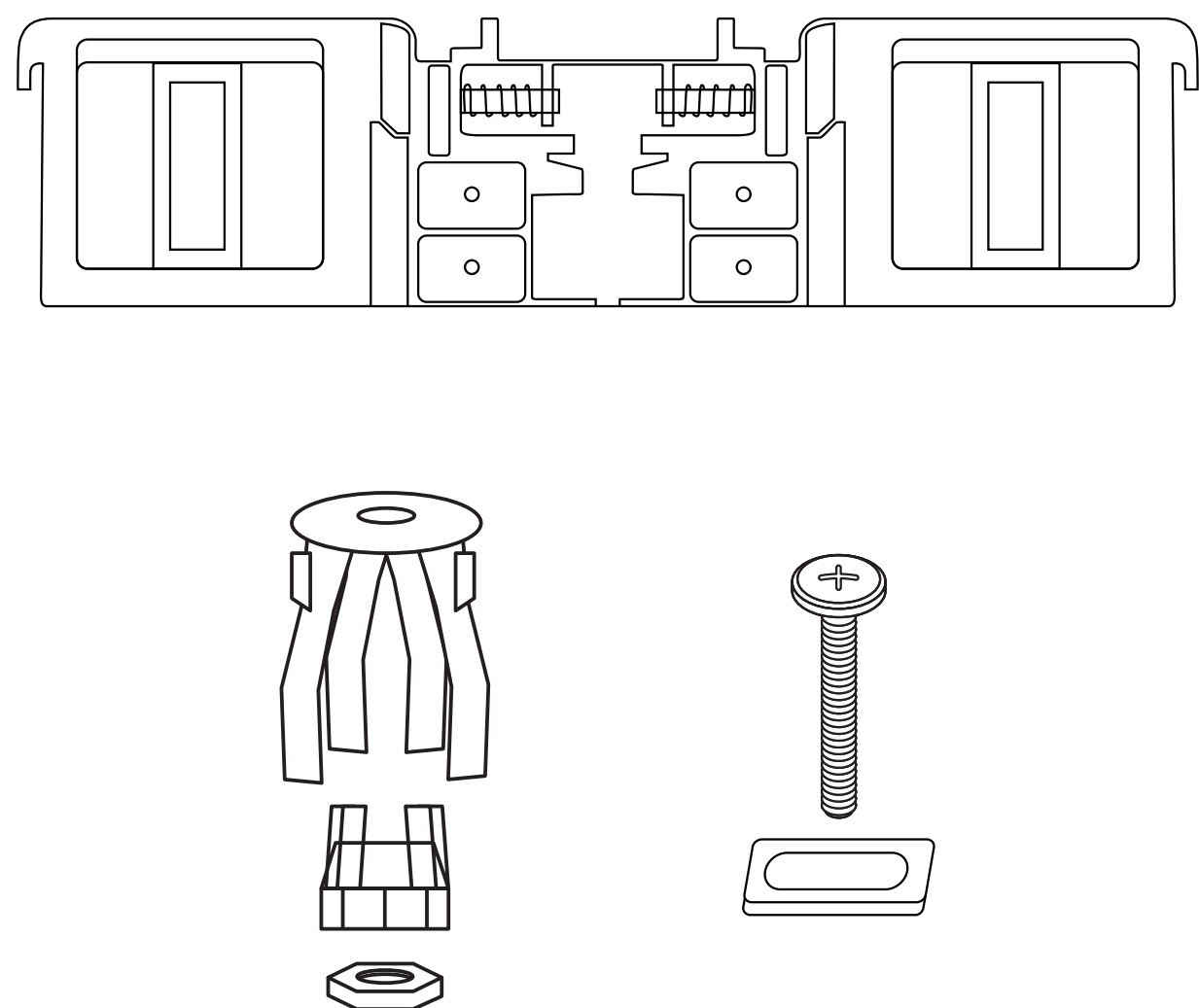


NOTE: Drawings may not exactly define contour of the product.

● DV-F812S01 Toilet Seat Installation Package

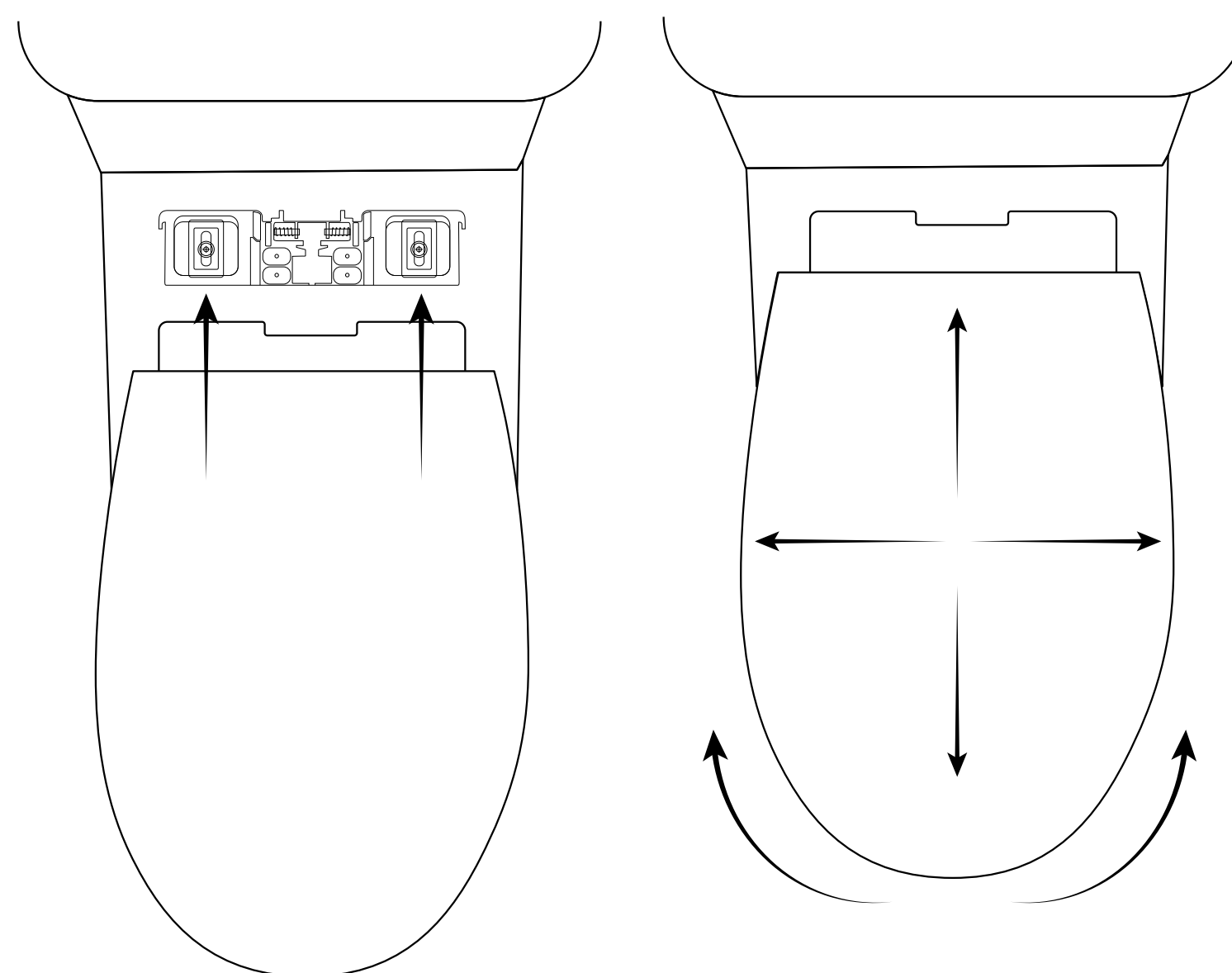
(1) Accessories

Unwrap the toilet seat installation package.



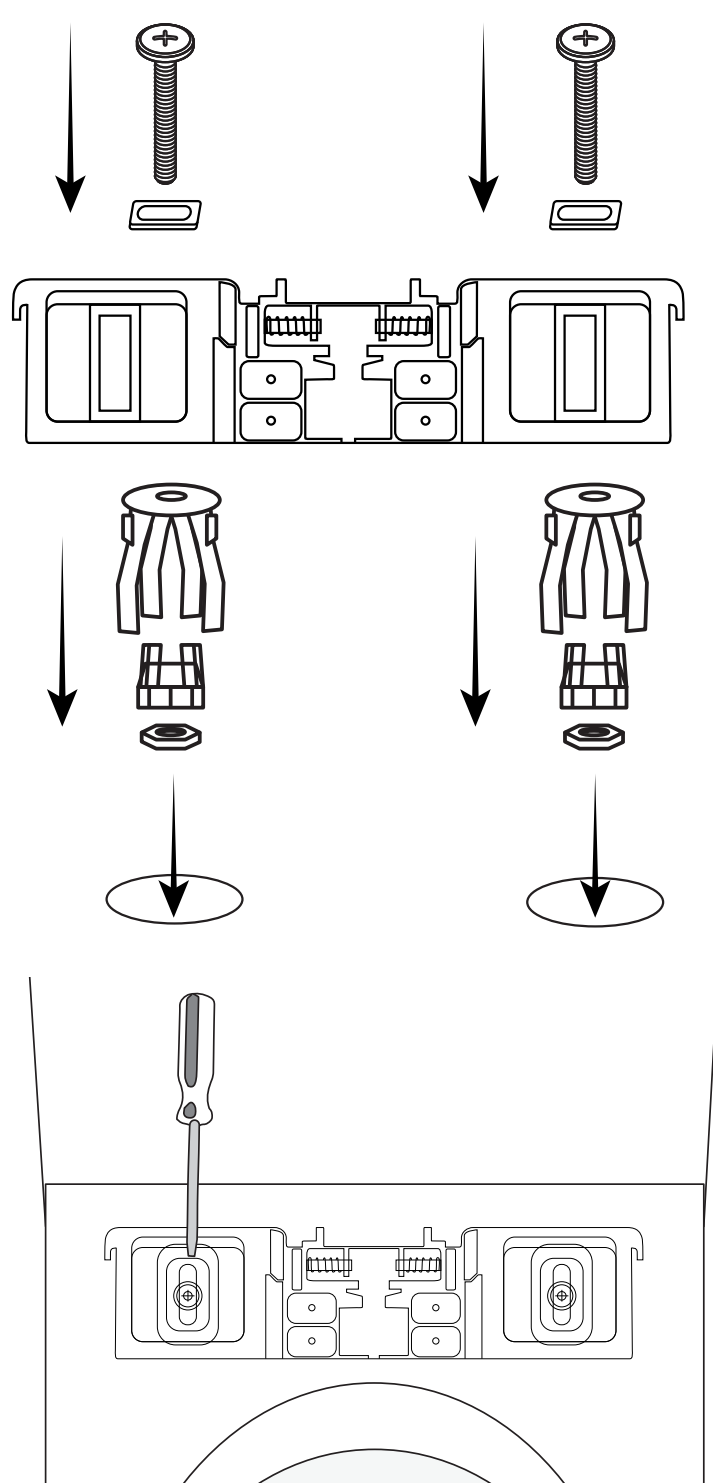
(3) Adjust the Seat Position

Plug the toilet seat in and adjust the position properly.



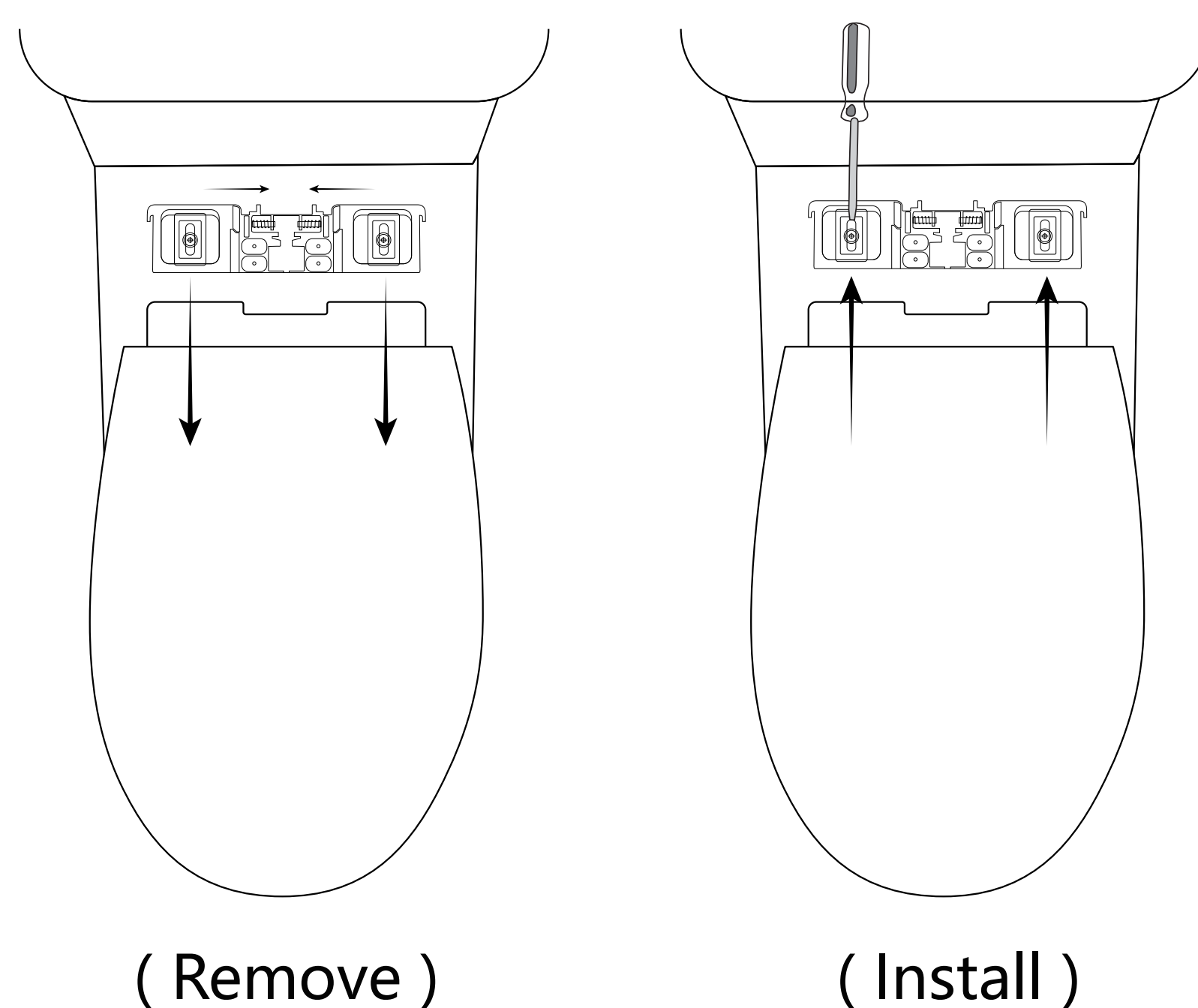
(2) Install Accessories

Install the toilet seat white base, then fasten the screws slightly and install the toilet seat.



(4) Install the Seat

Confirm the position of the toilet seat and take it out, fasten the screws to finally fix the toilet seat.



NOTE: Drawings may not exactly define contour of the product.