



Features

- Glazed ceramic one-piece toilet
- Soft close seat
- Standard 17 5/16" comfort height Elongated bowl
- Glazed skirted trapway
- Installation access
12" Rough-in
Floor mount installation
- Siphon Flush System
1.28 gallons per flush (GPF)
- Quick-release soft-close seat

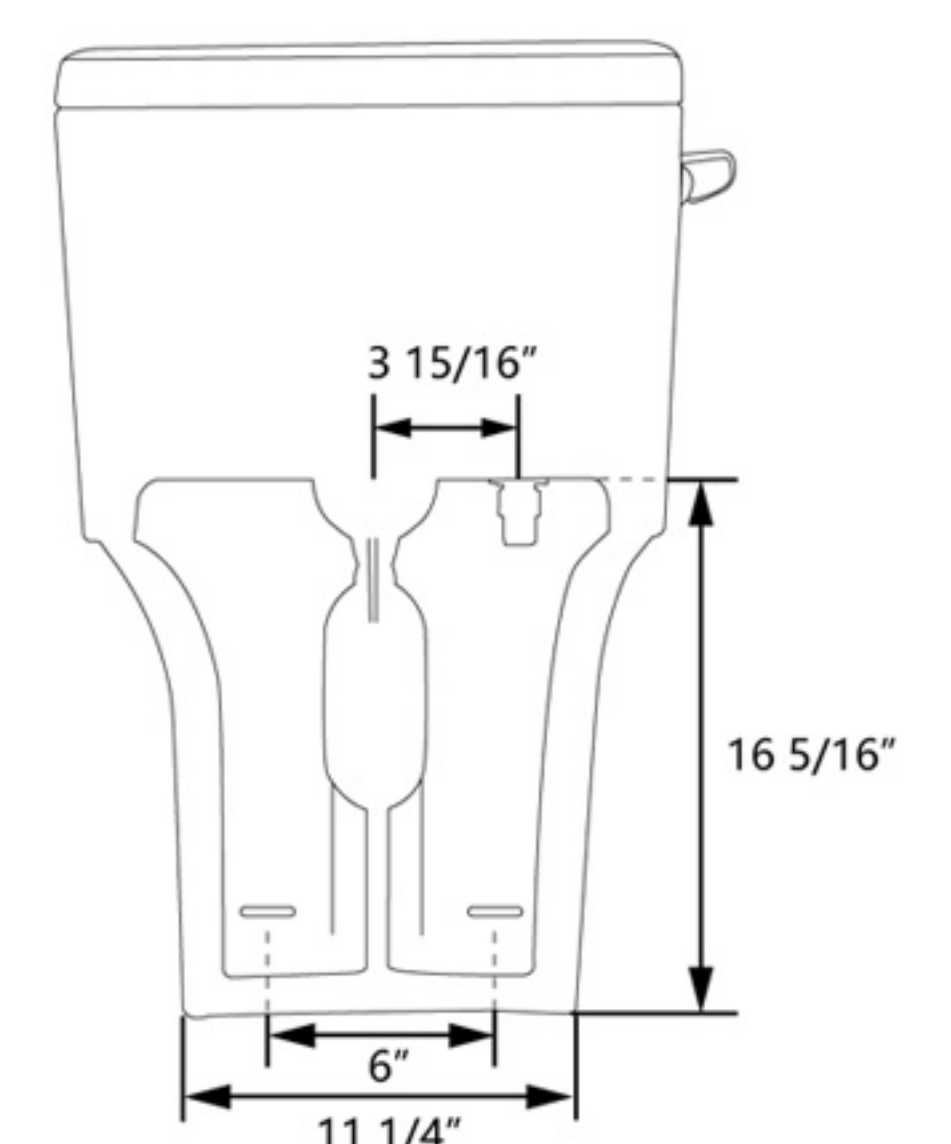
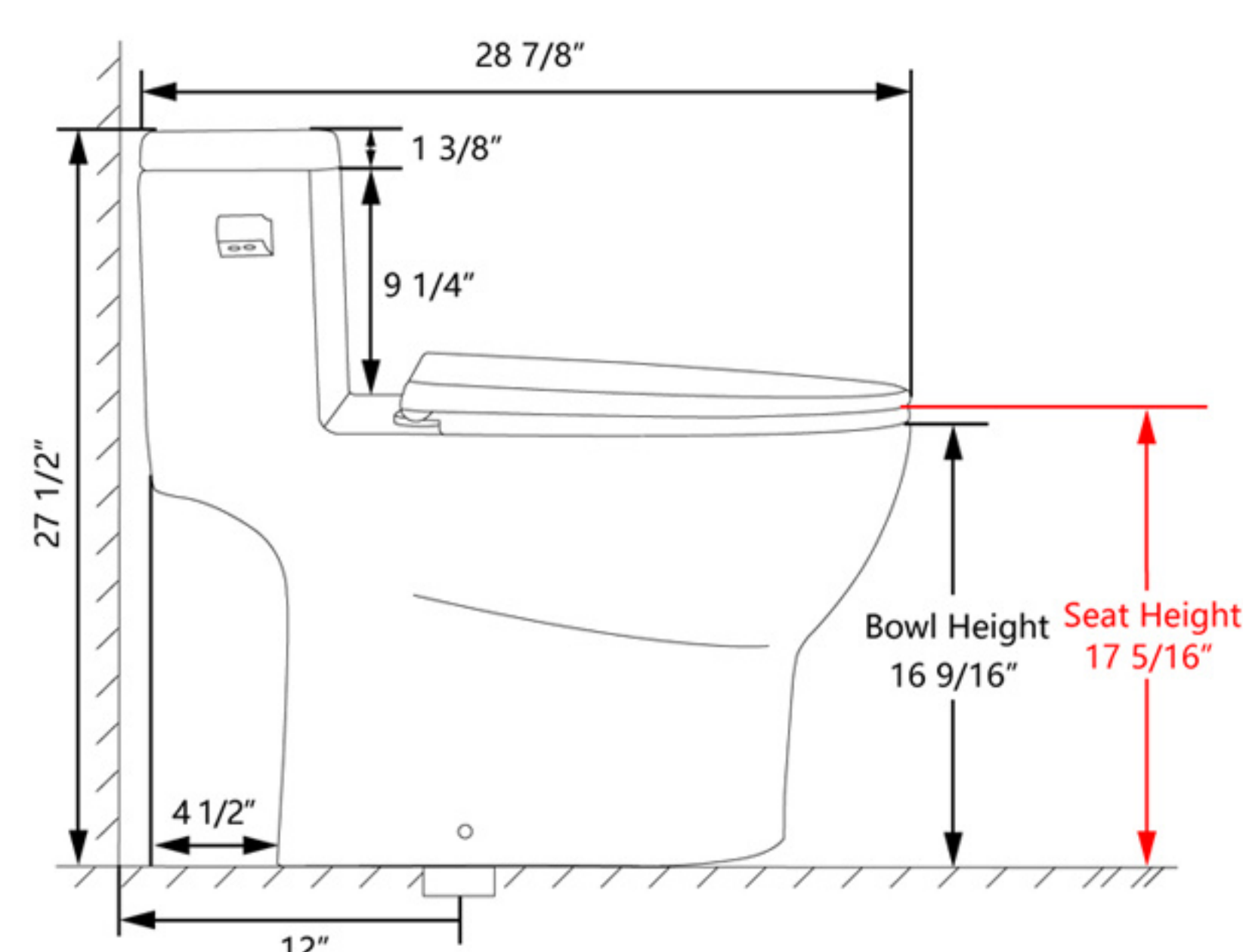
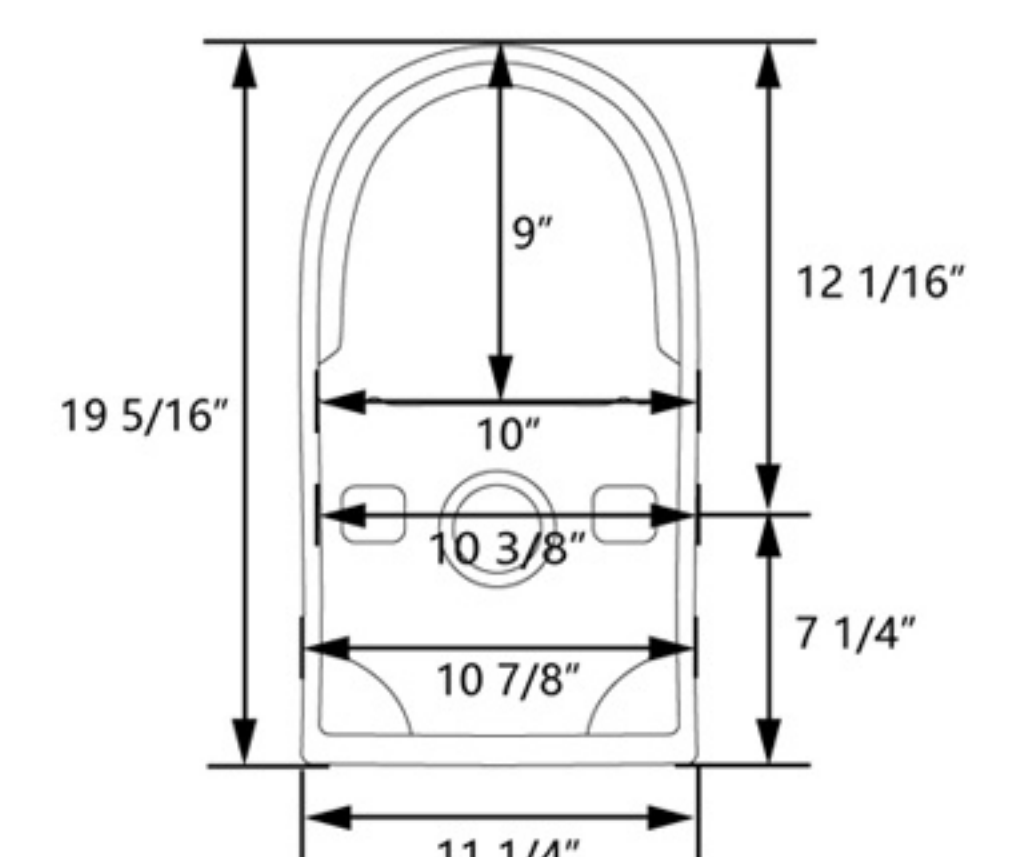
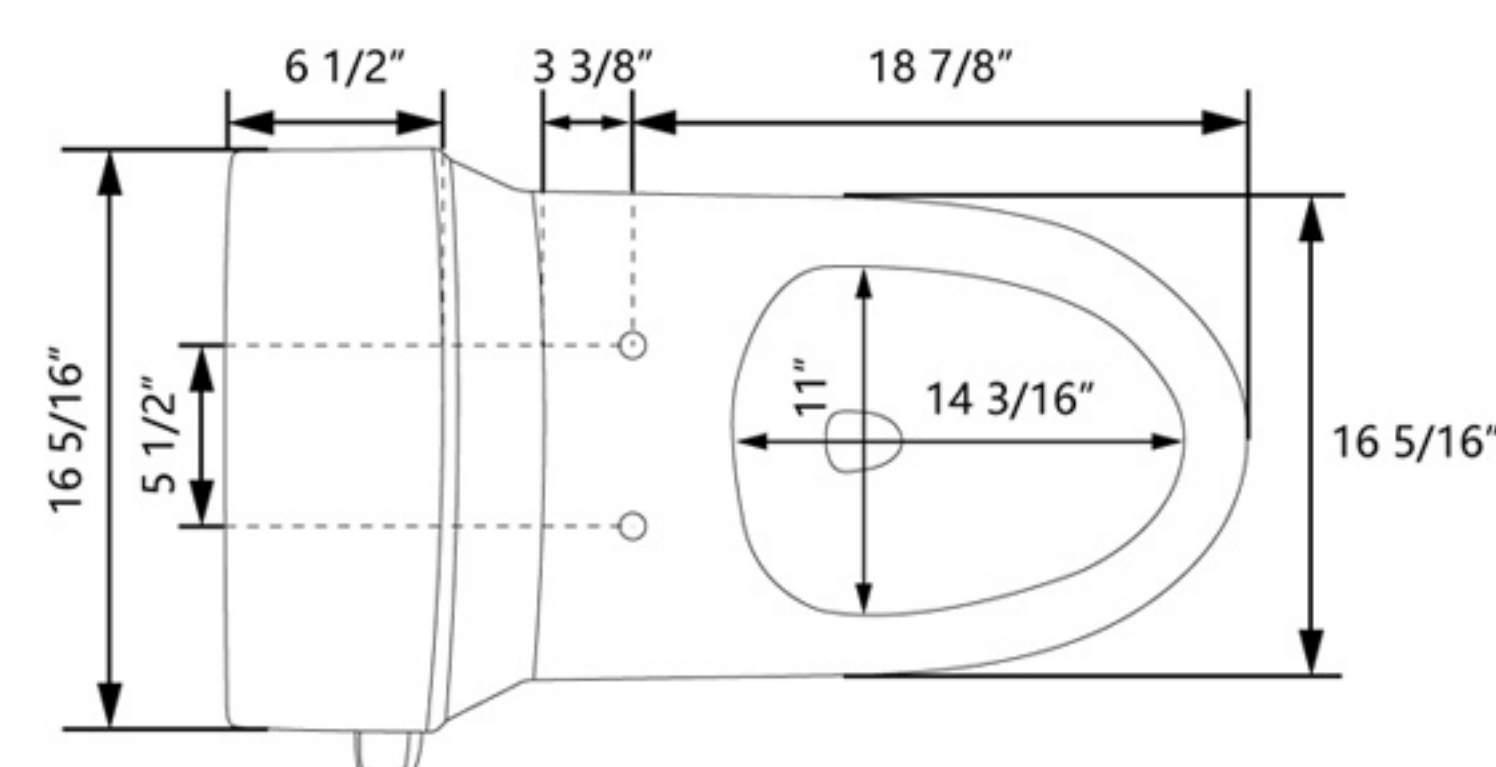


Specifications

- 1.28 gallons per flush (GPF)
- Siphon Flush System
- 12" Rough-in
- Floor mount installation
- Elongated bowl
- 16 9/16" Bowl height
- Glazed ceramic
- One Year Limited Warranty
- Factory flush-tested
- ADA compliant, c/UPC & UPC certified
- **Product Weight:** 111.77 lbs.
- **L:** 28 7/8" × **W:** 16 5/16" × **H:** 27 1/2"

Included Accessories

- Side bolt cover parts
- Tank lid with chrome actuator push buttons
- Toilet seat with quick-release slow close hinges
- Wax ring and toilet bolts
- Installation Instruction
- Soft-Close Toilet Seat
- Flushing Button
- Water Fitting
- Toilet Seat Installation Kit



Parts

- DV-F626T11: Toilet Tank Lid
- DV-F626S11: Soft-Close Toilet Seat
- DV-F626V01: Water Fitting
- DV-F626P31: Wax Ring
- DV-F626P21: Bolt Covers
- DV-F813M01: Installation Instruction
- DV-F626V31: Flushing Button
- DV-F816S01: Toilet Seat Installation Kit