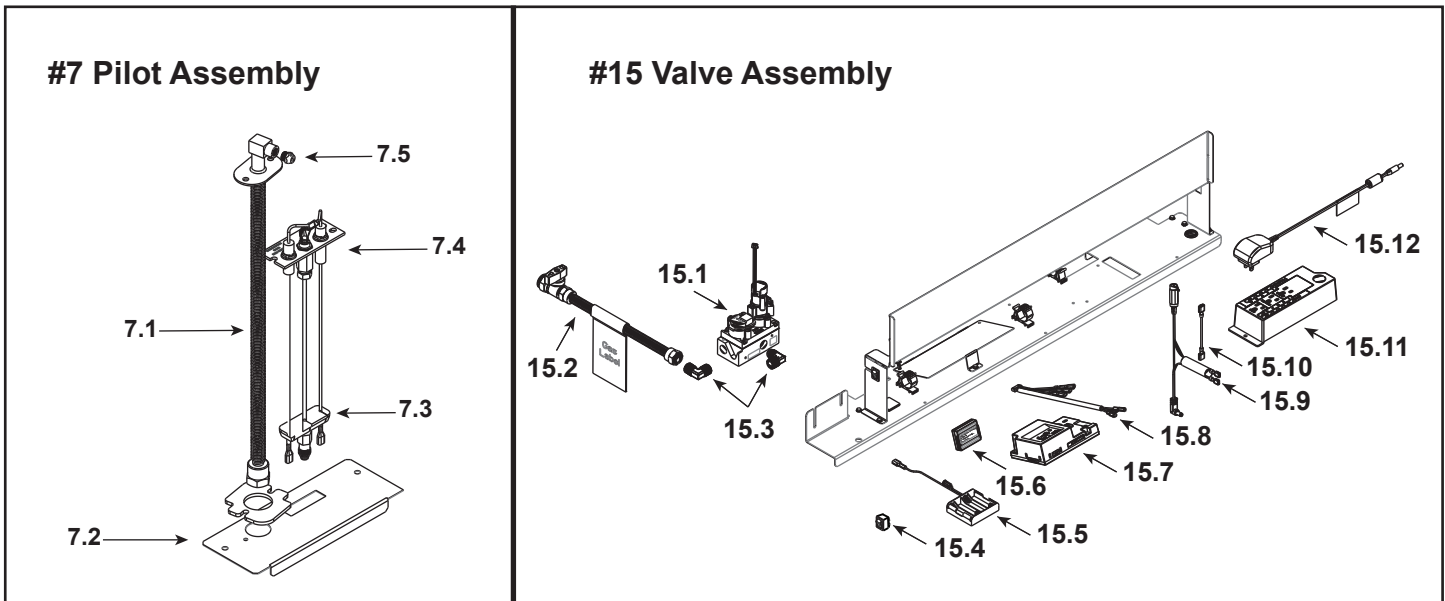


IMPORTANT: THIS IS DATED INFORMATION. Parts must be ordered from a dealer or distributor. **Hearth and Home Technologies does not sell directly to consumers.** Provide model number and serial number when requesting service parts from your dealer or distributor.



**Stocked  
at Depot**

ITEM	DESCRIPTION	COMMENTS	PART NUMBER
1	Non-combustible Board, Top	Qty 2 req	SRV2321-460
2	Standoff, Top	Qty 4 req	2604-283
3	Side Trim	Qty 4 req	2300-281
4	Non-combustible Board, Side	Qty 4 req	2300-461
5	Bottom Glass		2321-018
6	Burner		2321-007
7	Pilot Assembly		<b>See Following Page</b>
8	Shield, Pilot		2300-195
9	Glass Assembly	Qty 2 req	GLA-60-HTL
10	Shield, Bottom Glass w/vents		2321-179
	Shield, Bottom Glass		2322-179
11	Panel, Bottom w/vents		2321-147
	Panel, Bottom		2322-147
12	Rock Tray		2321-151
13	Heat Shield, Front		2605-150
14	Heat Shield, Rear		2605-151



IMPORTANT: THIS IS DATED INFORMATION. Parts must be ordered from a dealer or distributor. **Hearth and Home Technologies does not sell directly to consumers.** Provide model number and serial number when requesting service parts from your dealer or distributor.



**Stocked at Depot**

ITEM	DESCRIPTION	COMMENTS	PART NUMBER	
7.1	Bulkhead w/Flex tube		2166-119	Y
7.2	Plate, Flex and Pilot		2300-163	
7.3	3-Hole Grommet		SRV2118-420	
7.4	Pilot Assembly, NG		2406-012	Y
	Pilot Assembly, Propane	Convert 2406-012 with SRV593-527		Y
7.5	Orifice, NG #28C		582-828	Y
	Orifice, Propane #48C		SRV582-848	Y
15.1	Valve, NG		SRV2166-302	Y
	Valve, Propane		2166-303	Y
15.2	Flex Ball Valve Assembly		302-323	Y
15.3	Elbow	Qty 2 req	SRV4021-045	
15.4	Reset Switch	Propane Only	2206-298	Y
15.5	Battery Pack**		SRV2326-134	Y
15.6	Module, RF		SRV2326-120	Y
15.7	Module, IFT Control		SRV2326-130	Y
15.8	Wire Harness		SRV2326-132	Y
15.9	Reset Switch Wire	Propane Only	SRV2326-135	Y
15.10	Jumper Wire, 2.5 inch		2155-033	Y
15.11	Junction Box		SRV4021-013	Y
15.12	Transformer, 6 Volt Wall		SRV2326-131	Y
	Component Insulation		2604-102	Y

\*\*Fuse for battery pack can be sourced locally, not a warranty item. Specs are 250v, 3A fuse, 3/4" long  
Additional service part numbers on following page.

