



Dimensions

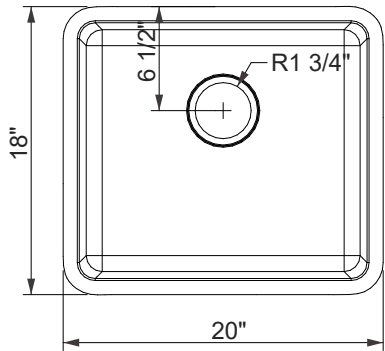
- 20" x 18" x 8"
- All dimensions are nominal

Features

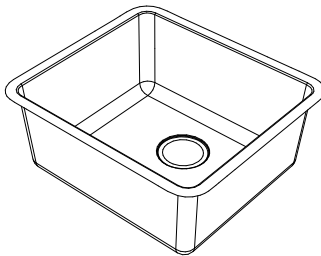
- Single Basin Undermount 80mm Radius Sink
- Material: 304 Stainless Steel, 18 Gauge
- Chrome Nickel Content 18/10
- With Undercoating and Padding
- Recommended Drain DS-005 Provided

Warranty

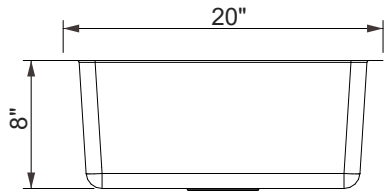
- This product carries a limited lifetime warranty on all finishes. All works parts are guaranteed from the date of purchase against all manufacturing defects. Meets or exceeds the following standards and codes: ASME A112.19.3-2017/CSA B45.4-17



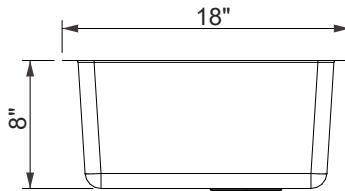
TOP VIEW



3D VIEW



FRONT VIEW



SIDE VIEW