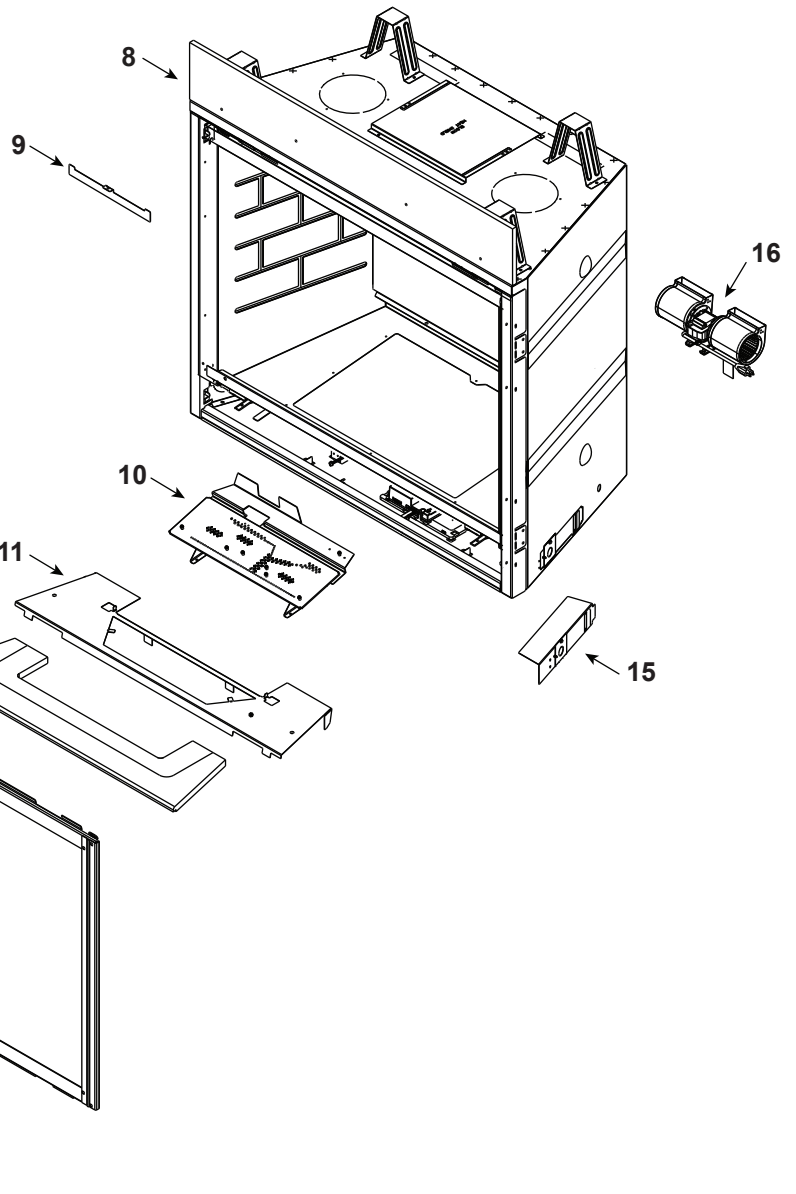


CAL36X-SG(Steely Gray)(Active)

CAL36X-WB(Weathered Brick)(Active)

**Log Set Assembly**



Part number list on following page.



IMPORTANT: THIS IS DATED INFORMATION. Parts must be ordered from a dealer or distributor. **Hearth and Home Technologies does not sell directly to consumers.** Provide model number and serial number when requesting service parts from your dealer or distributor.



**Stocked at Depot**

ITEM	DESCRIPTION	COMMENTS	PART NUMBER	
<b>#17 Valve Assembly</b>				
17.1	Pilot Assembly	NG	2106-169	Y
		Propane	2106-170	Y
	Pilot Tube		SRV485-301	Y
17.2	3-Hole Grommet		SRV2118-420	
17.3	Bulkhead W/Flex tube		SRV7000-156	Y
17.4	Flex Ball Valve Assembly		SRV302-320	Y
17.5	Valve	NG	SRV2166-302	Y
		Propane	2166-303	Y
17.6	Male Connector	Pkg of 5	303-315/5	Y
17.7	Battery Holder**		SRV2326-142	Y
17.8	Component Tray Assembly		<b>See following page</b>	
17.9	Shutter Assembly		2583-011	
17.10	LED Wire		2589-160	Y
17.11	REB Accent Light		2583-236	Y
17.12	Kapton, Accent	Qty 2 req	2583-170	
17.13	Glass, Accent	Qty 2 req	2583-172	
	Orifice, NG (#31C)		SRV582-831	Y
	Orifice, Propane (#49C)		SRV582-849	Y

\*\*Fuse for battery pack can be sourced locally, not a warranty item. Specs are 250v, 3A fuse, 3/4" long

Additional service part numbers on following page.

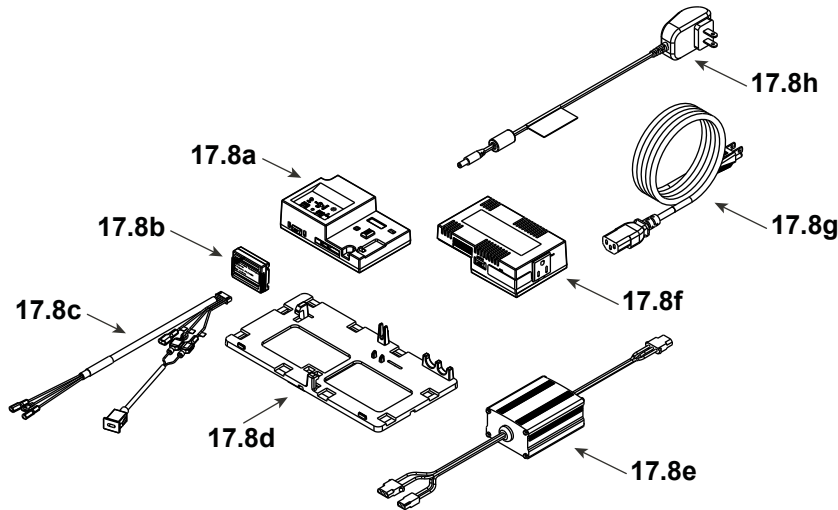
IMPORTANT: THIS IS DATED INFORMATION. Parts must be ordered from a dealer or distributor. **Hearth and Home Technologies does not sell directly to consumers.** Provide model number and serial number when requesting service parts from your dealer or distributor.



**Stocked at Depot**

ITEM	DESCRIPTION	COMMENTS	PART NUMBER
------	-------------	----------	-------------

**#17.8 Component Tray**



17.8a	Module, IFT Control		SRV2326-130	Y
17.8b	Module, RF FCC		SRV2326-120	Y
17.8c	Harness, IFT 6 Pin Wiring		SRV2583-063	Y
17.8b	Component Tray		2279-185	
17.8e	LED Controller		2166-336	Y
17.8f	Module, B Type AC		SRV2326-150	Y
17.8g	Cable, B Type AC Module		SRV2326-152	Y
17.8h	Transformer, 6 Volt Wall		SRV2326-131	Y
	RC400 Remote		SRV2326-110	Y
	Touch Up Paint		TUP-GBK-12	
<b>Conversion Kits</b>				
	Conversion Kit NG		NGK-MID	Y
	Conversion Kit Propane		LPK-MID	Y
	Pilot Orifice, NG		SRV593-528	Y
	Pilot Orifice, Propane		SRV593-527	Y
	Regulator, NG		NGK-DXV-50	Y
	Regulator, Propane		SRVLPK-DXV-50	Y