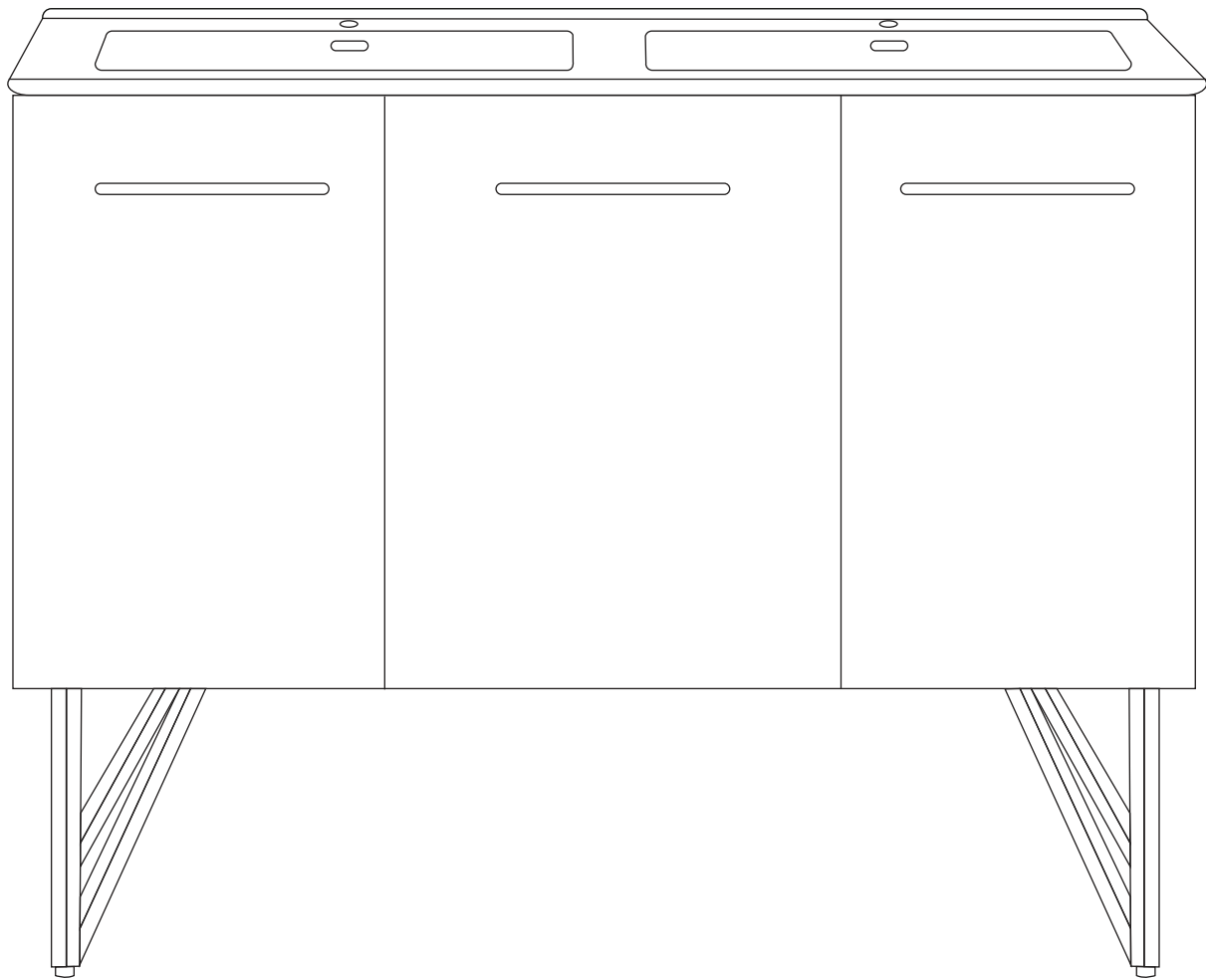


Freestanding Vanity

INSTALLATION INSTRUCTIONS

Swiss Madison®
well made forever



@SwissMadison
#WellMadeForever





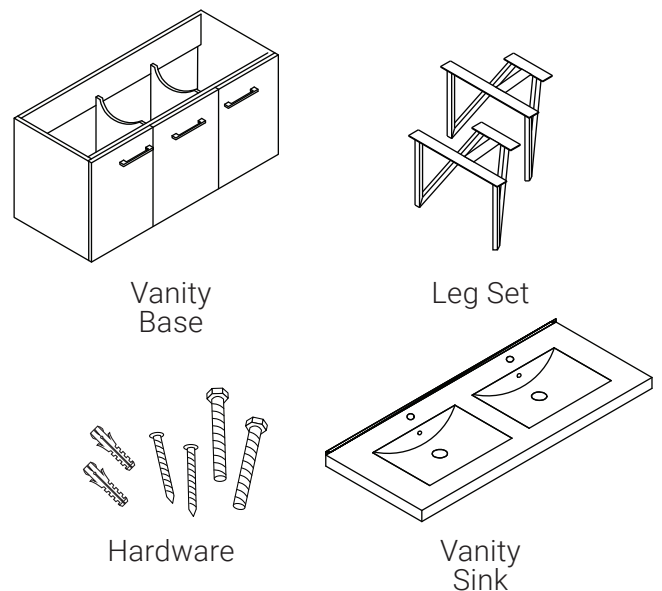
PRIOR TO INSTALLATION:

- Inspect product to ensure no damages have occurred while in shipping.
- Observe all plumbing and building codes in accordance with your state and local requirements.
- Floor must be level prior to installation of vanity.
- All dimensions are nominal! Be sure to measure your vanity prior to installation.
- The step-by-step guidelines in the installation instructions are a general reference. Should there be any discrepancies, Swiss Madison cannot be held liable. It is recommended to install all Swiss Madison products by hiring a licensed professional.
- Read installation and maintenance instructions thoroughly before installing. Be sure to use proper tools and always wear proper personal safety accessories for your protection.

SUGGESTED TOOLS & MATERIALS:



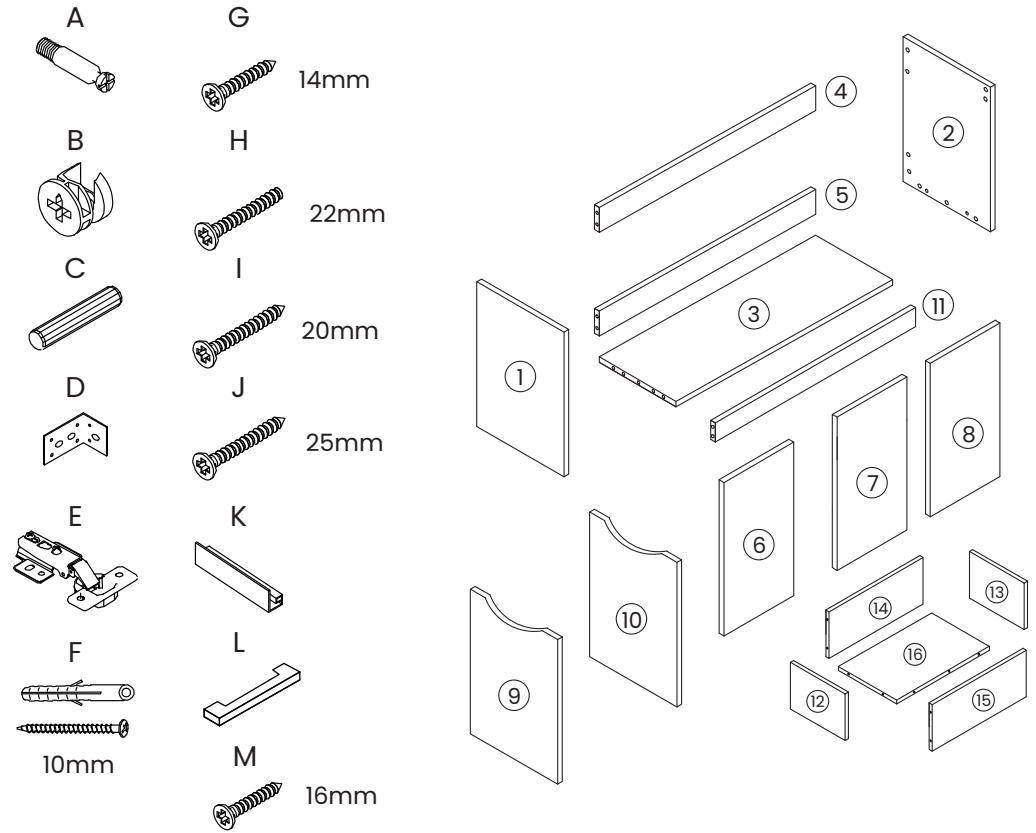
INCLUDED PARTS:



Parts for Reference:

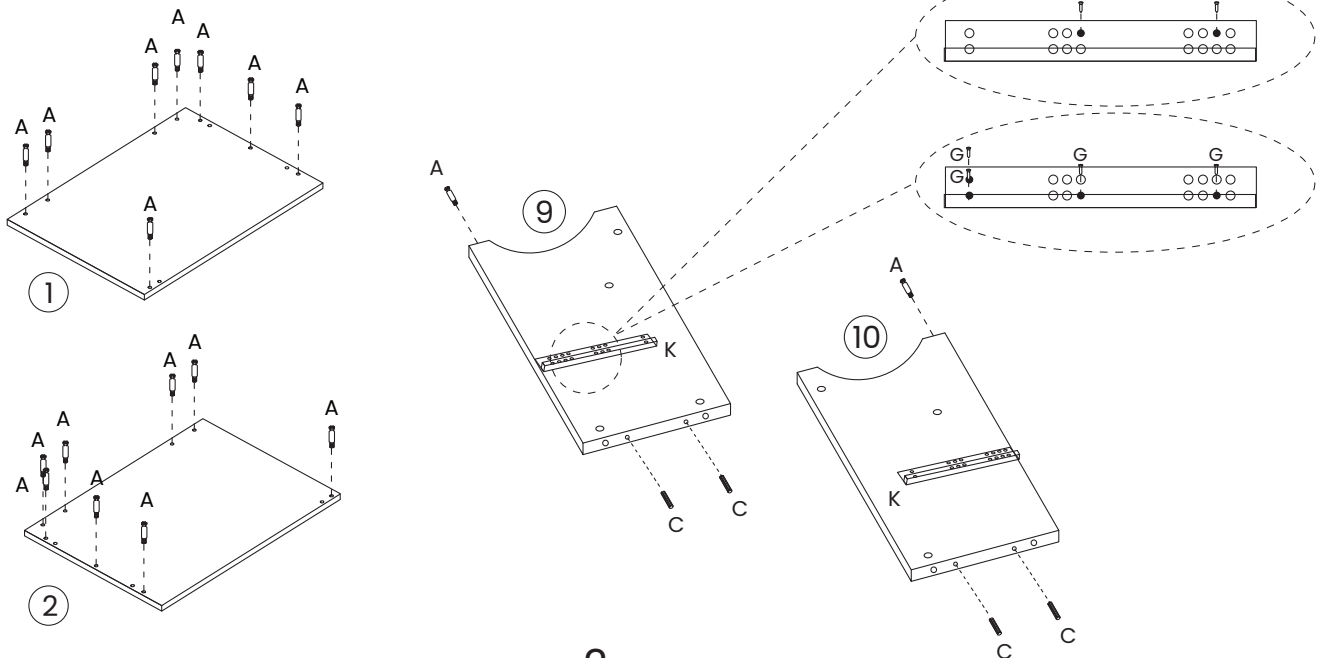
1. Left side panel
2. Right side panel
3. Bottom panel
4. Rear top bar
5. Rear bottom bar
6. Left door
7. Middle door
8. Right door
9. Left middle panel
10. Right middle panel
11. Front cross bar
12. Drawer left side panel
13. Drawer right side panel
14. Drawer back panel
15. Drawer front panel
16. Drawer bottom panel

- A. Cam bolt
- B. Cam lock
- C. Wooden dowel
- D. Metal bracket
- E. Hinge
- F. Screw (10mm) & plastic anchor
- G. Screw (14mm)
- H. Screw for handle (22mm)
- I. Screw for drawer (20mm)
- J. Screw for drawer (25mm)
- K. Undermount slide
- L. Handle
- M. Screw for legs (16mm)



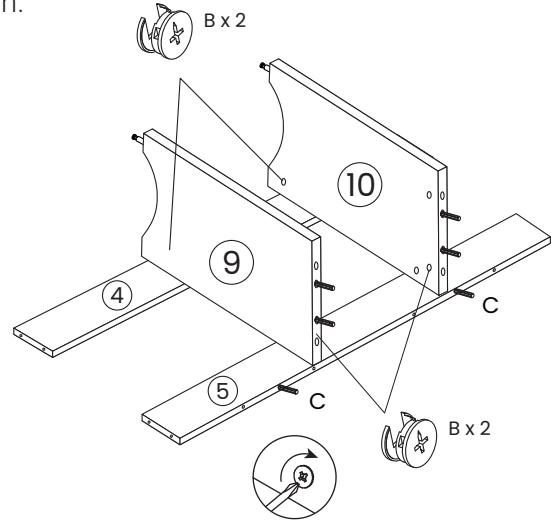
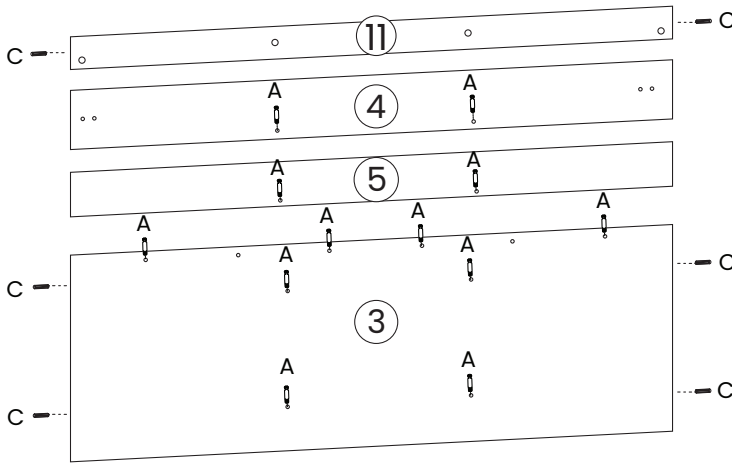
1. Install Side Panel Slides

- Screw 8 cam bolts (A) into the left side panel (1). Repeat for the right side panel (2).
- Screw 1 cam bolt (A) and insert 2 wooden dowels (C) into the left middle panel (9). Repeat for the right middle panel (10).
- Attach the slide (K) to the left middle panel (9) and secure with 2 screws (G) as shown below.
- Repeat for the right middle panel (10).
- Fix both slides into place using 4 screws (G) each as shown below.



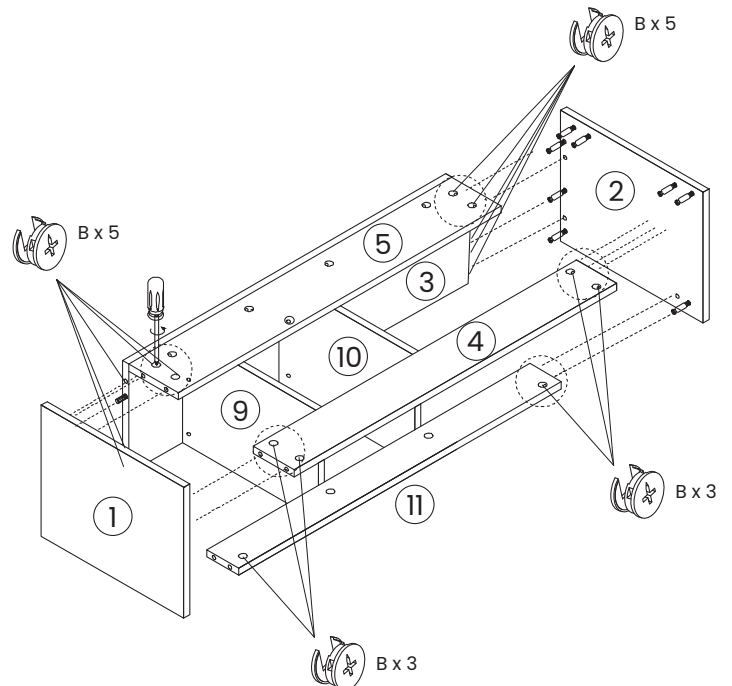
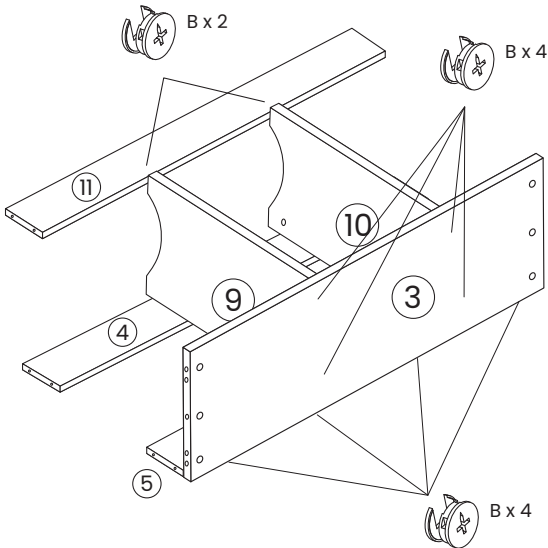
2. Connect Bottom Panels

- Insert 2 wooden dowels (C) into the front cross bar (11).
- Screw 2 cam bolts (A) into the rear top bar (4). Repeat for the rear bottom bar (5).
- Insert 8 cam bolts (A) and 4 wooden dowels (C) into the bottom panel (3).
- Connect the left middle panel (9) and the right middle panel (10) to the rear top bar (4) and the rear bottom bar (5).
- Secure in place by locking 4 cam locks (B) as shown.
- Insert 2 wooden dowels (C) into the rear bottom bar (5) as shown.



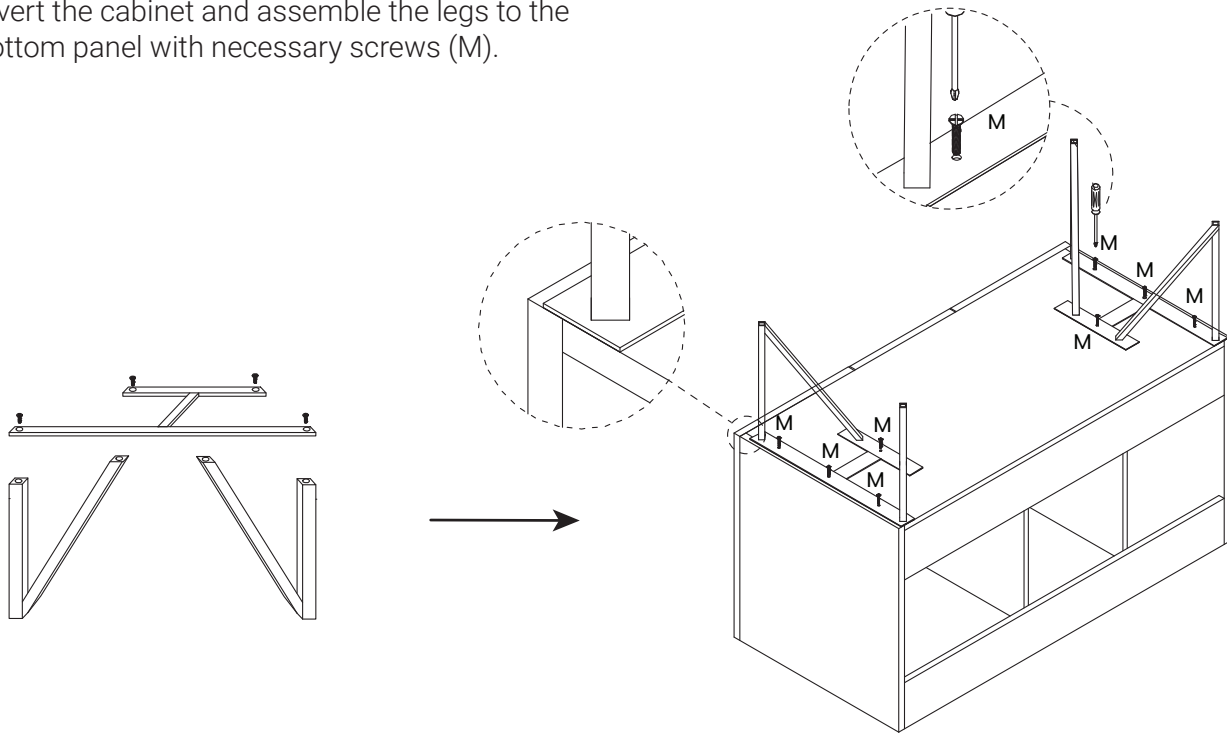
3. Construct Base

- Connect the front cross bar (11) to the left middle panel (9) and right middle panel (10). Secure in place use 2 cam locks (B).
- Connect the bottom panel (3) to the left middle panel (9), right middle panel (10) and rear bottom bar (5). Secure into place using 8 cam locks (B).
- Connect the left side panel (1) to the bottom panel (3), rear top bar (4), rear bottom bar (5) and front cross bar (11). Secure with 8 cam locks (B) as shown. Repeat on the other side of the body using the right side panel (2).



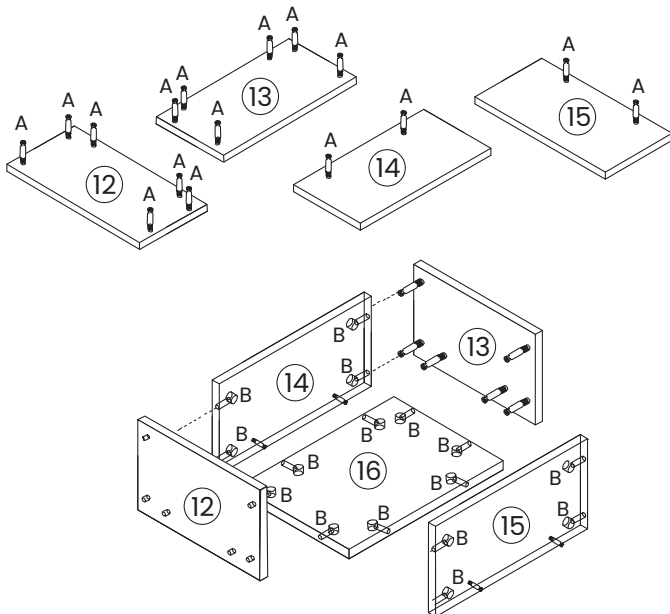
4. Attach Legs

- Invert the cabinet and assemble the legs to the bottom panel with necessary screws (M).



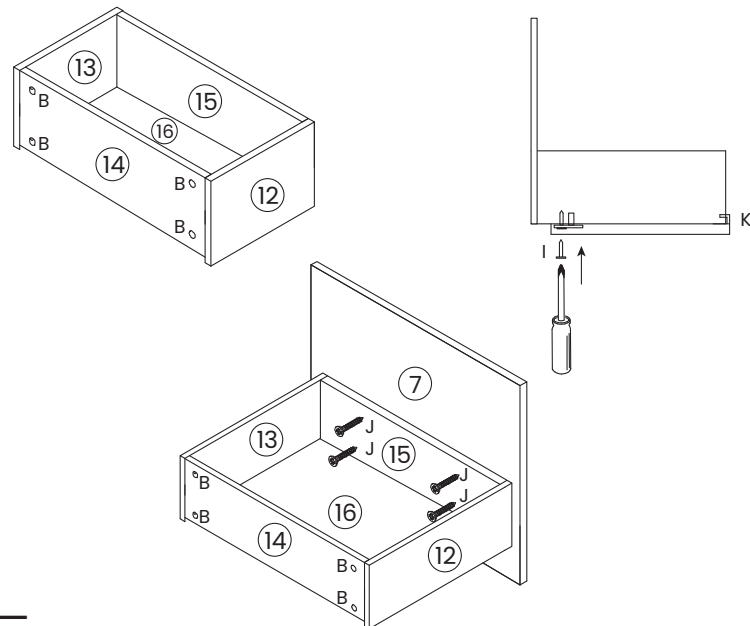
5. Assemble Drawer Base

- Screw 6 cam bolts (A) into pre-threaded holes on the drawer left panel (12). Repeat for the drawer right panel (13).
- Screw 2 cam bolts (A) to the drawer back panel (14). Repeat for the drawer front panel (15).
- Use 16 cam locks (B) to assemble the drawer base as shown.



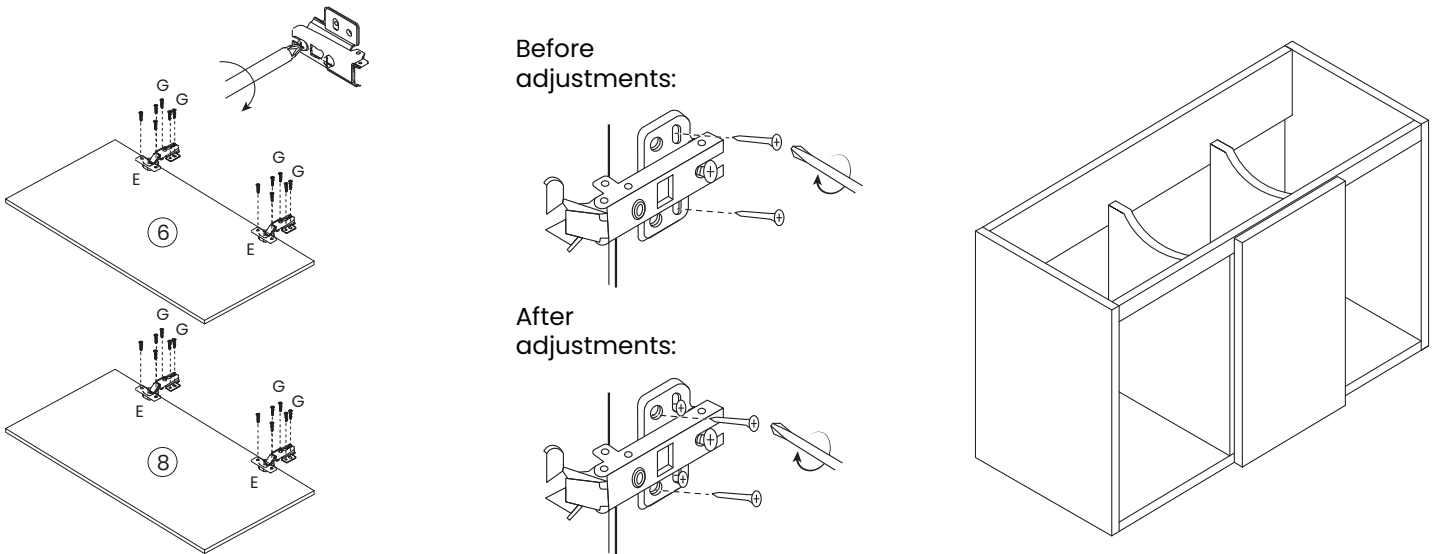
6. Assemble Drawer

- Attach the 2 undermount slides (K) to the drawer bottom panel (16) with 2 screws (I). Do not tighten screws all the way.
- Attach the drawer front panel (15) to the door surface (7) with 4 screws (J) as shown.
- Insert the hooks of the 2 slides (K) to the drawer back panel (14). Tighten the 2 screws (I) to the bottom of the drawer (16) to secure the slides (K).



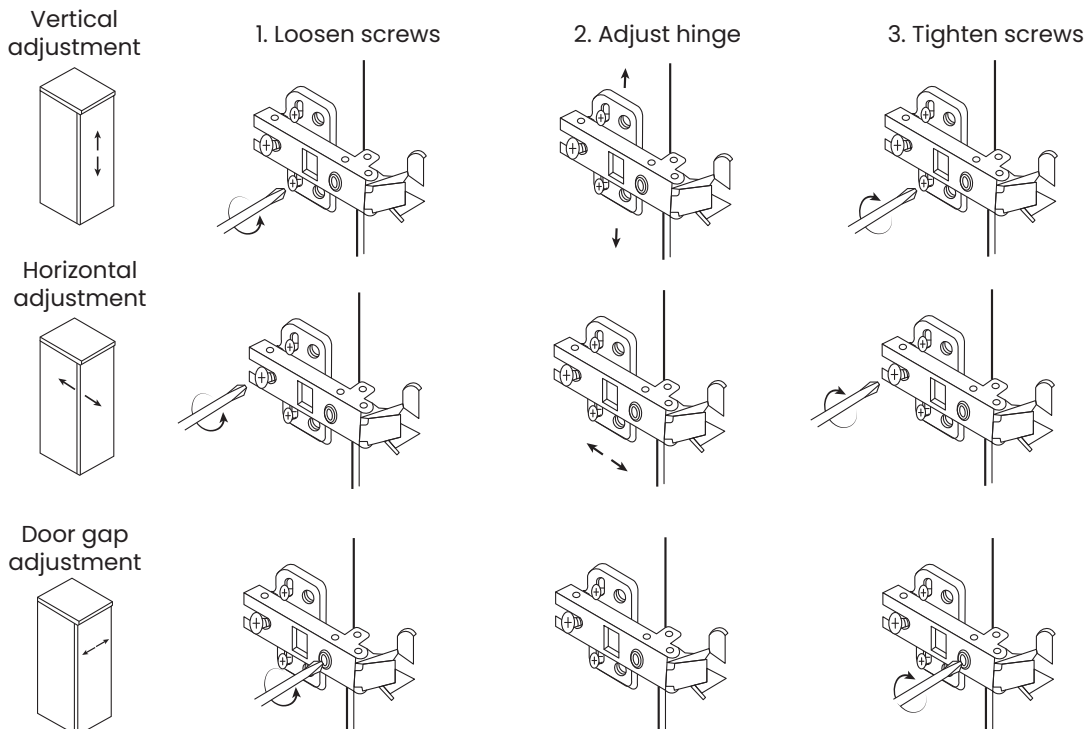
7. Attach Doors

- Install 2 hinges (E) to both the left door (6) and the right door (8) using 2 screws (G) per hinge.
- Use an additional 2 screws per hinge to attach the left door (6) and right door (8) to the cabinet. If the door does not align properly, adjust the hinges according to the diagrams below. Once adjustments have been completed, secure the hinges using 2 screws (G) each.



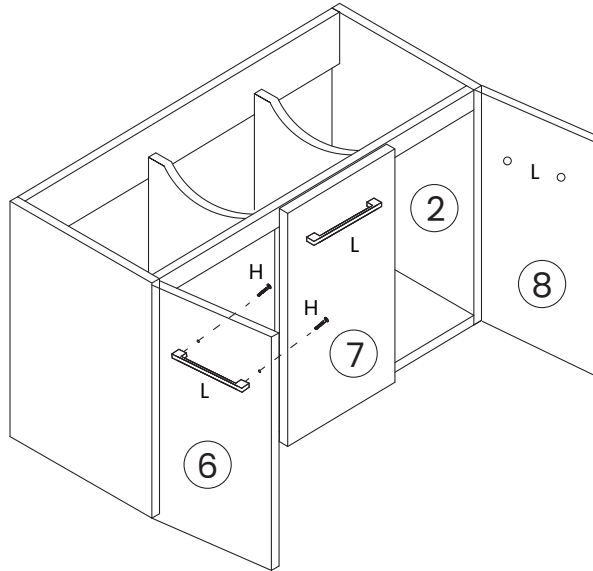
Hinge/Door Adjustment and Realignment

- If adjustment or realignment is needed, follow the instructions provided in the following chart.



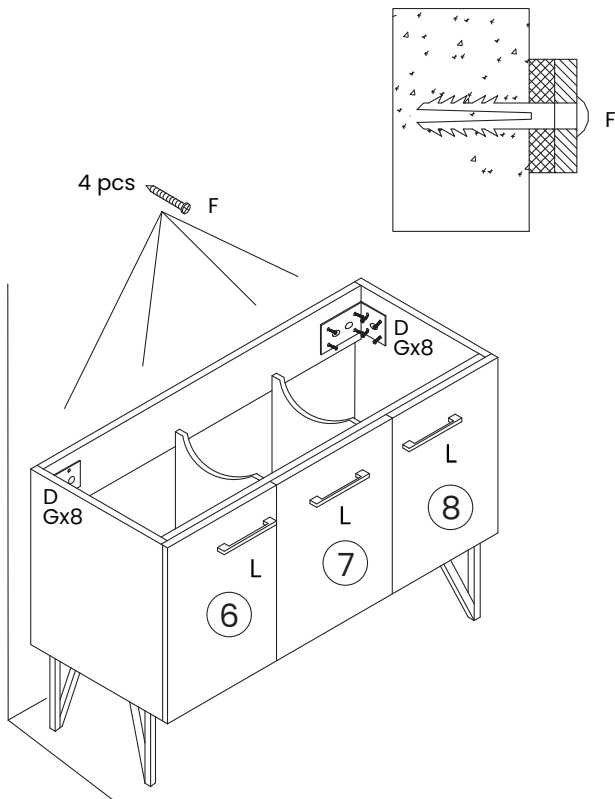
8. Attach Handles

- Install the 3 handles (L) to the 3 doors by screwing 6 screws (H) to the doors (6, 7 & 8).



9. Secure Vanity to Wall

- Attach the 2 metal brackets (D) to the cabinet body using 16 screws (G) as shown.
- Mark desired mounting location on wall and ensure placement is level.
- Select installation option from below.



Option 1: Securing to Drywall

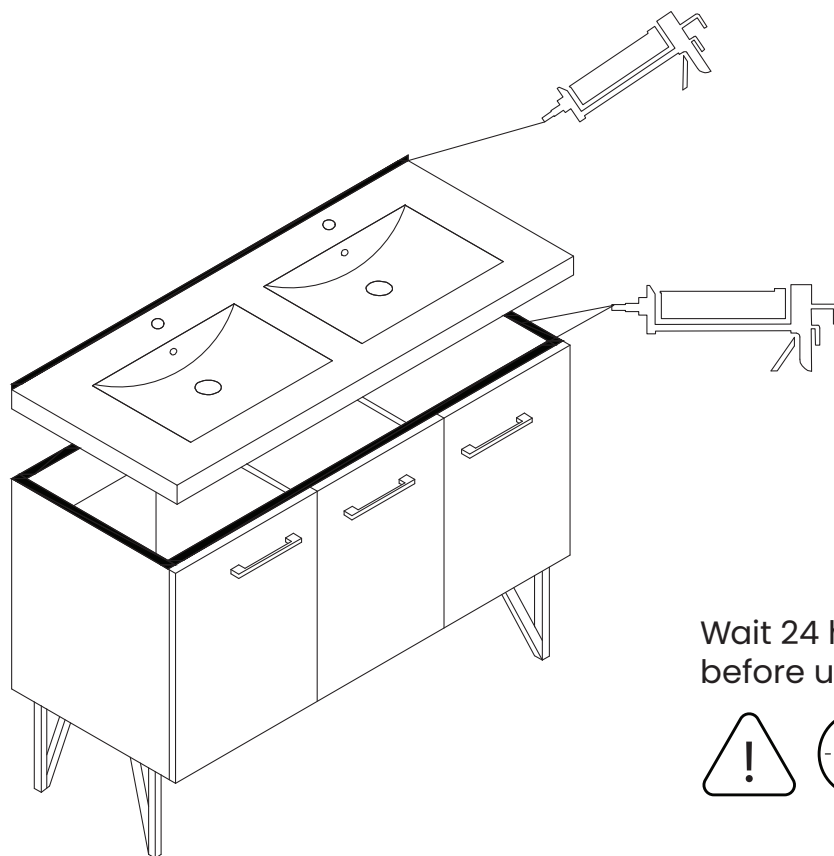
- Position cabinet against wall in desired location.
- Using a pencil, make a mark on the wall through the holes in each bracket (D).
- Move cabinet away from the wall. Create a pilot hole in each mark on the wall, then insert the plastic anchor (F).
- Place cabinet against the wall, insert a screw (F) through the metal bracket (D) into each hole in the wall, then tighten to plastic anchors (F) to secure the vanity.

Option 2: Securing to Drywall & Wood Stud

- Position cabinet against wall in desired location, be sure desired mounting location aligns with existing wood studs.
- Insert screw (F) through the holes in the metal bracket (D), then tighten through the drywall into the wood stud. Repeat this step for the other metal bracket (D) to secure the vanity.

10. Vanity Top Installation

- Install faucet and drain according to manufacturer's installation instructions. Do not overtighten, this may cause the sink to crack.
- Set the vanity top on top of the vanity base, checking the location of the p-trap and drain.
- Remove vanity top from vanity base. Apply a thin bead of silicone around the vanity base and set the vanity top carefully in place.
- Remove excess silicone with a wet cloth.



Wait 24 hours
before use.





ONE YEAR LIMITED WARRANTY

Swiss Madison® products are made with quality materials and excellent craftsmanship to provide our customers with beautiful, durable, long-lasting products. Should there be any defects in materials or craftsmanship under regular use that are discovered within the first year of installation, Swiss Madison® will provide replacement parts at no charge, or at its discretion, replace any product or part of the product that is deemed defective, under normal installation, use, service or maintenance. This warranty applies only to the original purchaser. Proof of purchase will be required in the instance of a claim.

Swiss Madison® recommends all installations of Swiss Madison® products to be conducted by a licensed, professional plumber or contractor. Swiss Madison® will not be held responsible for any damage or product failure due to improper installation, misuse, or failure to utilize a licensed professional for installation. Swiss Madison® is not responsible for any installation or removal costs.


This One Year Limited Warranty Will Be Voided If:

- The installation recommendations were not followed by the installer
- The product has been moved from its initial place of installation
- The product has in any way been modified from its packaged state
- The product has been subjected to improper maintenance, abuse, misuse, excessive use of chemicals, accidents, or other damages, etc.

Swiss Madison® makes no implication that its products comply with any local building or plumbing codes. It is the consumer's responsibility and obligation to determine local code compliance prior to and during installation. This warranty extends only to the original purchaser and first consumer.

Swiss Madison® is not responsible for any special, incidental or consequential damages associated with the installation, replacement, return or use of the original purchaser's product. This includes, but is not limited to: freight costs, labor, travel time, lost profit, home damages and other contingent liabilities and costs (including, without limitation, costs associated with 'professionals' or 'experts', investigations, audits, analyses, attorneys and any other professional/hired services).

The Swiss Madison® warranty is a comprehensive and explicit limit of liability. All items not disclosed within the warranty are not addressable within the responsibility of Swiss Madison®. Certain states have variances regarding implied warranties; in those situations, we remain fully compliant.

 **WARNING:** Contents of your order may contain sharp and possibly other harmful pieces and may cause hazard to children and adults. Swiss Madison® is not responsible in any way for personal damages.