

METAL TEMPLATE for EPA CERTIFIED FIREPLACE

**Part: HHT-TEMPLATE-B (North Star, Constitution & Pioneer-II)
& TMP-433 (7100FP)**

Included in Kit for TMP-433: Metal Template, (measures 1/8 inch larger all the way around than the actual fascia), (4) screws 4021-816/8, install

Included in Kit for HHT-Template: Metal Template, (measures 1/8 inch larger all the way around than the actual fascia), install

Tools Required: 5/32" Allen Wrench

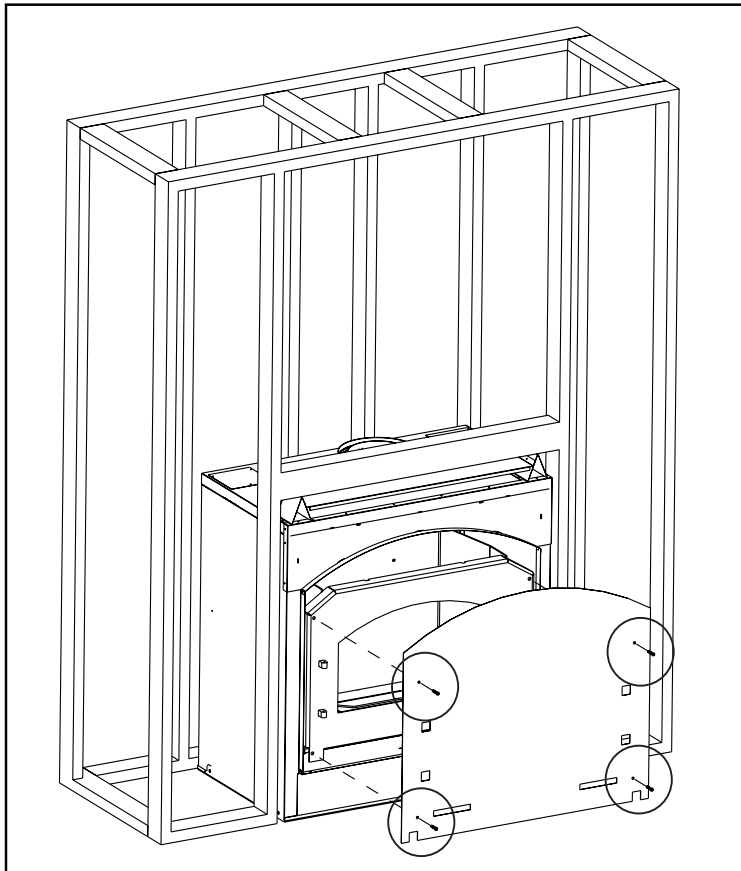
1. Remove the doors on the fireplace (if installed).
2. Remove (4) screws from the fascia and remove fascia from the fireplace (if installed). Save the screws. Store the fascia in a safe, protected

area to prevent scratching or any damage.

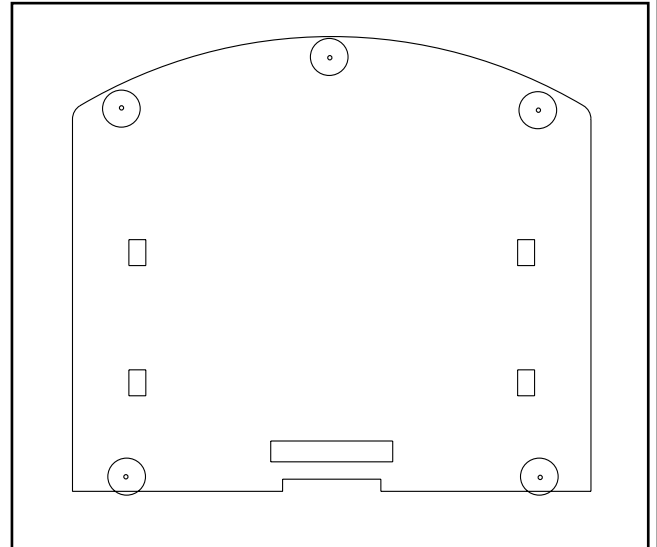
NOTE: On the 7100 the fascia is not included with the unit and screws come with the template.

3. Install the metal template on the front of the fireplace using the same (4) screws.

Now you are ready to continue your installation with the desired decorative material. The template also serves as a protective covering and prevents damage to the front on the fireplace. When installation of decorative material is complete, remove the template and replace with the fascia and fireplace doors.



Part Number: HHT-Template
North Star, Constitution & Pioneer-II



Part Number: TMP-433
7100FP

NOTE: This template can be used on all 7100 fireplaces.

Serial Number 0071580457 and below has 4 mounting holes, one in each corner.

Serial Number 0071580458 and above has 5 mounting holes.