

Chimney Air Kit

Models: CAK4A, CAK5A, CAK8A



This chimney air kit has been tested and listed to the UL 127 Standard and the ULC S610 Standard for use on the Hearth & Home Technologies, inc. factory-built fireplaces by Underwriters Laboratories, Inc. Check with your local building code agency before you begin installation to ensure compliance with local codes, including the need for permits and follow-up inspections. If you encounter any problems regarding code approvals, or if you need clarification of any of the instructions contained here, contact your Hearth & Home Technologies dealer. For a dealer nearest you, please visit www.hearthnhome.com.

CAUTION: Verify you have the correct Chimney Air Kit (CAK) kit for your specific HHT fireplace.

- Use the pre-punched holes in the tabs as guides and drill 3/32" holes through the fireplace top.
- Secure the box with the screws provided.

Refer to the Installation Instruction/Owner's Manual that came with the fireplace for correct chimney air kit to be used.

KIT CONTENTS:

- (1) Chimney Air Box Assembly
- (1) Outside Air Inlet Vent Hood
- (2) Wire Ties
- (1) Hardware Pack

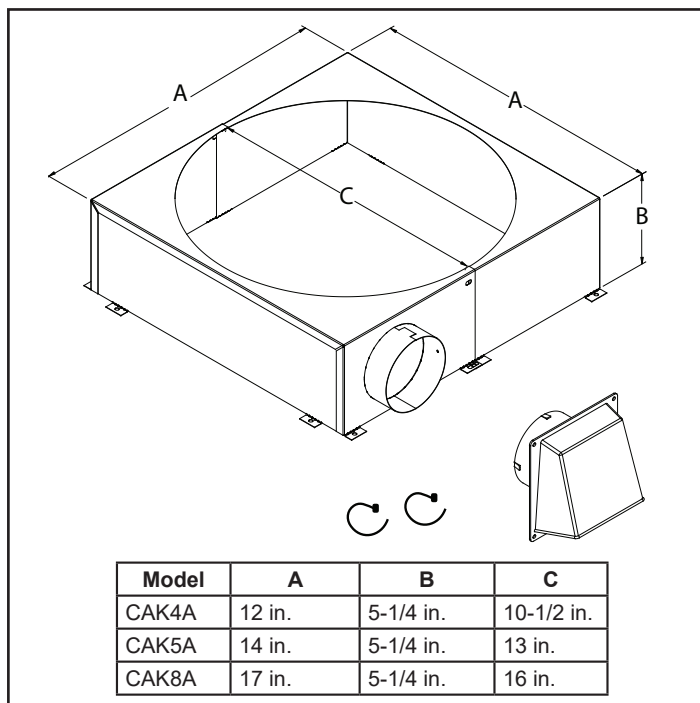


Figure 1 - Chimney Air Kit

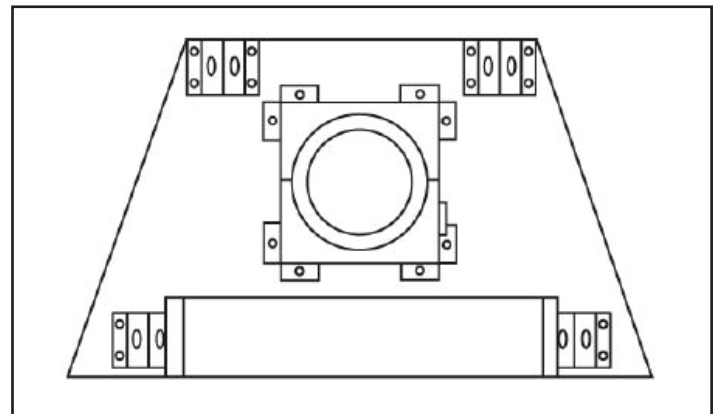


Figure 2 - On Top of Fireplace

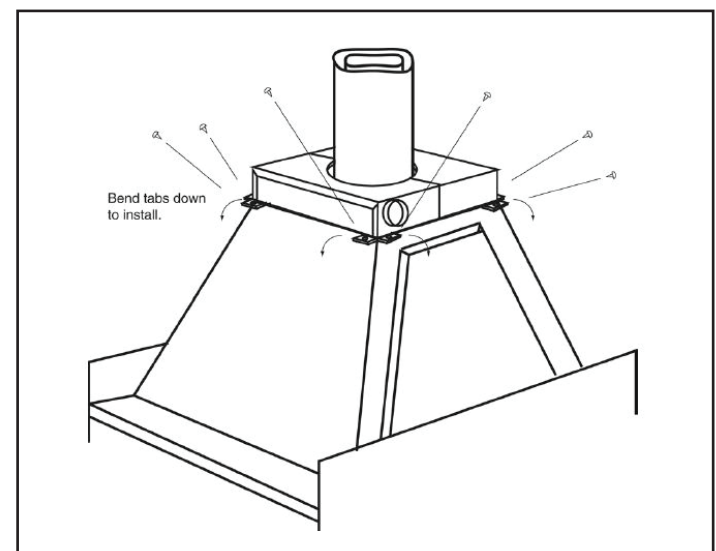


Figure 3 - On top of See-Through Fireplace

INSTRUCTIONS:

- Once the chimney pipe is installed, place the box on top of the fireplace around the chimney pipe and attach the two halves of the CAK together. See Figures 2, 3 and 4. Installation on a see-through fireplace will require bending the tabs down to match the angle of the top pan/smoke shield. See Figure 3.

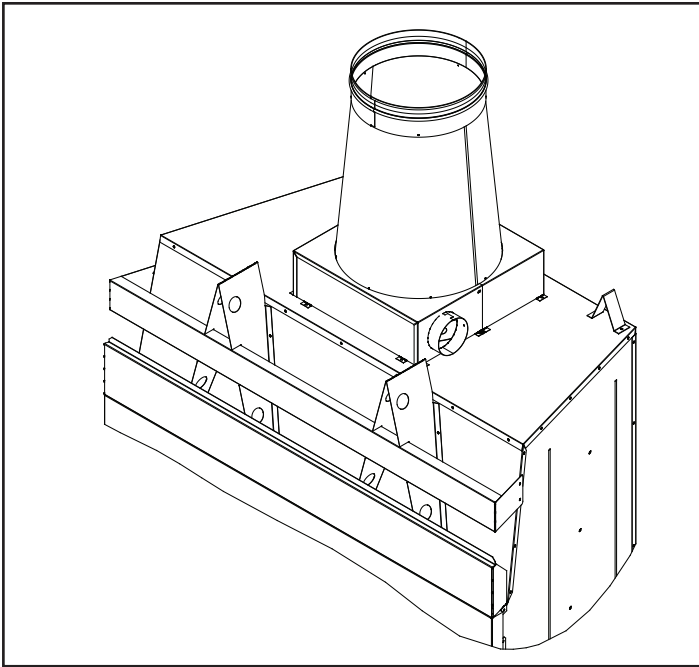


Figure 4 - On Top of Castlewood

AIR DUCT:

- Connect a 4" Class 1 duct to the collar on the CAK by using one of the wire ties provided.
- Route the duct (not supplied) to an outside wall. The inlet vent hood must be installed no lower than four feet above the ground level so it will not be blocked by drifting snow, etc. If the CAK is installed in a chase, the inlet vent hood must be at least three feet below the chimney top.
- Cut a hole through the outside wall for installation of the duct inlet vent hood, a 4-3/4" diameter hole is sufficient.
- Feed the loose end of the duct through the hole. Attach it to the inlet vent hood with the wire tie provided.
- Push the vent hood into the hole and secure it in place.

VENTING RESTRICTIONS:

- The duct must **NEVER** be compressed or deformed!
- Reducing the cross sectional area of the duct will reduce the amount of air flow.
- The maximum length of a 4-inch diameter duct is 20 feet. The duct can be extended up to a maximum of 40 feet by using a 6-inch duct. A 4-inch to 6-inch adapter will be needed (not included).
- When additional ducting is needed, use Class 1 metallic duct material to connect sections of the Class 1 duct referred to in the Air Duct section.

WARNING! Risk of Fire!

- *The flex pipe must never be compressed or deformed!*
- *Restricting the airflow inside the flex pipe may increase flue pipe temperatures causing a chase fire.*

P TRAPS:

- When using the chimney air kit (CAK) and the outside air kits, it is recommended that you install a P trap as shown in Figure 5 by bending the flex duct, or using 90° elbows if using rigid duct to help prevent air circulation when the fireplace is not in use.
- In colder climates, it is strongly recommended to use an insulated duct.

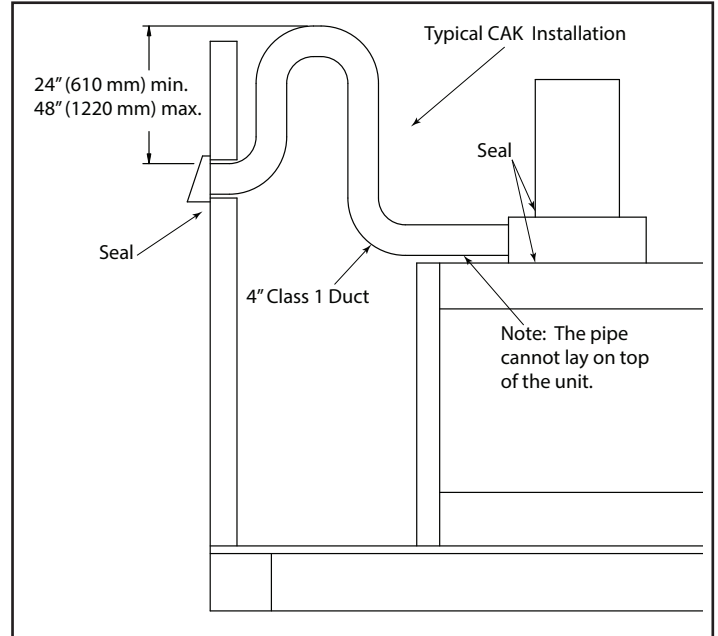


Figure 5 - P Trap Installation Using Flex Pipe