

Models:


**Grand Vista 36, Grand Vista 42
Mesh Door Kits**



These mesh door kits have been tested for use with specific Hearth & Home Technologies products. Check with your local building code agency before you begin installation to ensure compliance with local codes, including the need for permits and follow-up inspections. If you encounter any problems regarding code approvals, or if you need clarification of any of the instructions contained here, contact your Hearth & Home Technologies Inc. dealer. For the dealer nearest you, please visit www.hearthnhome.com.

CAUTION! Risk of Cuts/Abrasions. Wear protective gloves and safety glasses during installation. Sheet metal edges are sharp.

NOTICE: All fingerprints and smudges must be wiped clean from the viewable surfaces of the door kit prior to the initial burning of the fireplace. If this is not done, these prints and smudges will be cured into the finish and set for the life of the fireplace. To keep the finish looking its best, gently wipe with a soft cloth and if desired, soap and water. Never use thinner or abrasive cleaners since these products will damage the finish.

⚠ WARNING	
	<p>HOT SURFACES!</p> <p>Screen/mesh, glass doors and other surfaces are hot during operation AND cool down.</p>
<p>Hot screen/mesh and glass doors will cause burns.</p> <ul style="list-style-type: none"> • Do not touch screen/mesh or glass doors until cooled • NEVER allow children to touch screen/mesh or glass doors • Keep children away • CAREFULLY SUPERVISE children in same room as fireplace. • Alert children and adults to hazards of high temperatures. <p>High temperatures may ignite clothing or other flammable materials.</p> <ul style="list-style-type: none"> • Keep clothing, furniture, draperies and other flammable materials away. 	

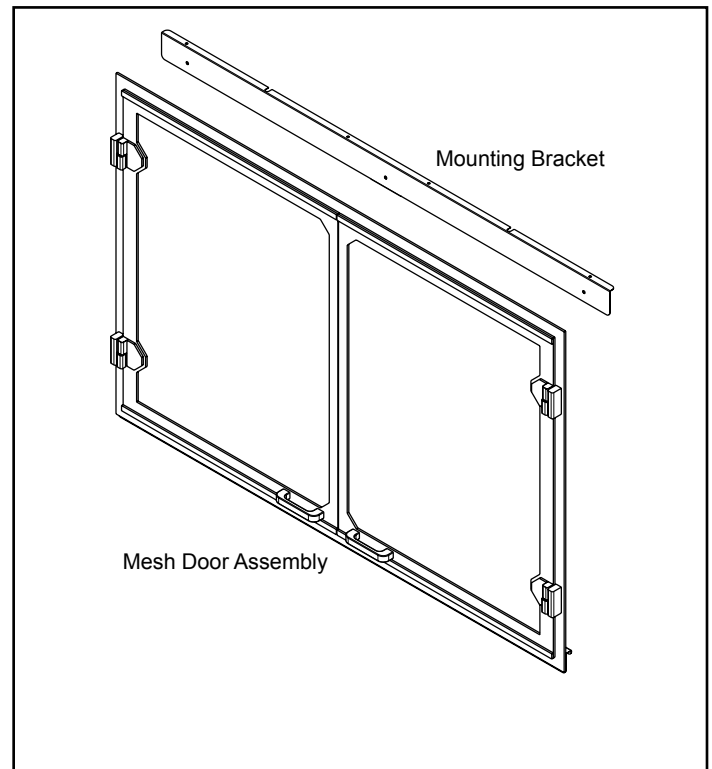


Figure 1 Grand Vista Mesh Door Kit

CAUTION! The door kit is heavy. We recommend two installers to put the front assembly in place.

WARNING! Risk of Fire! DO NOT place combustible materials on the metal fireplace face or columns.

- A. Remove the top door track and discard. Keep the screws.
- B. Remove the existing screens from the fireplace (refer to Figure 2):
 - Remove one screw in each of the screen rods behind the door track.
 - Slide screen rods out of support holes.
 - Rods and screen will come out as an assembly. Discard.
- C. Remove three wing nuts and mounting bracket from frame assembly (refer to Figure 3).
- D. Install the mounting bracket with the screws from the door track.
- E. Remove the doors from the frame assembly.
- F. Pick up the frame assembly and hook the bottom flange (refer to Figure 3) over the bottom face of the fireplace.
- G. Push the top of the frame assembly against the mounting bracket. The threaded studs of the frame assembly will fit through the matching holes of the mounting bracket. Secure with wing nuts. Refer to Figure 3. Fasten bottom flange to the fireplace with two screws.
- H. Hang the doors.

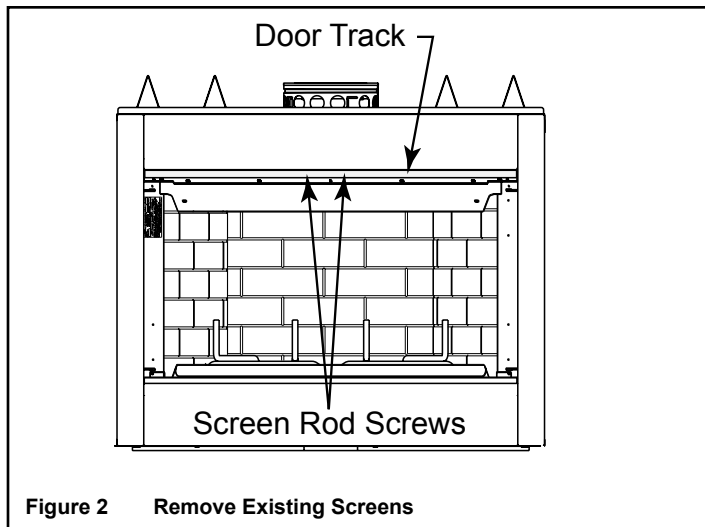


Figure 2 Remove Existing Screens

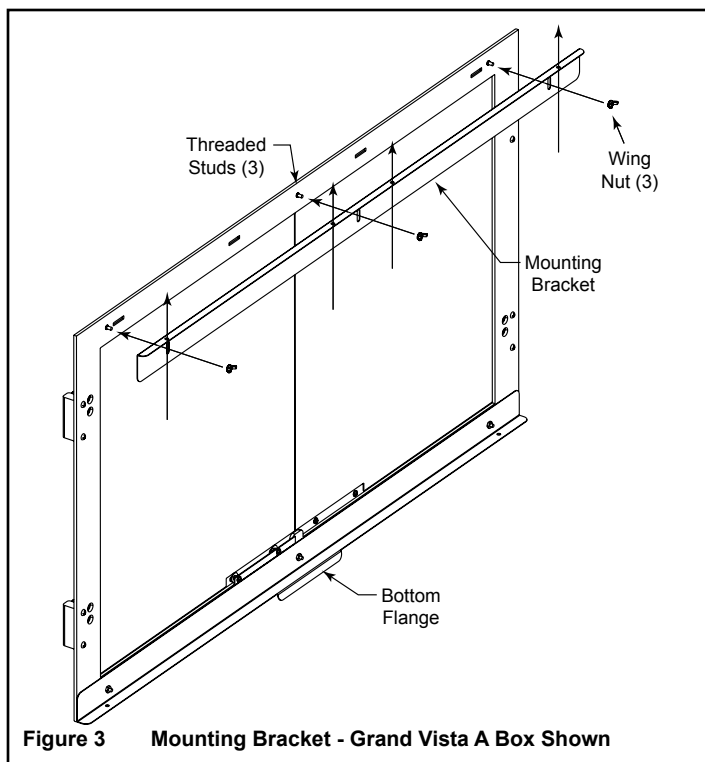


Figure 3 Mounting Bracket - Grand Vista A Box Shown

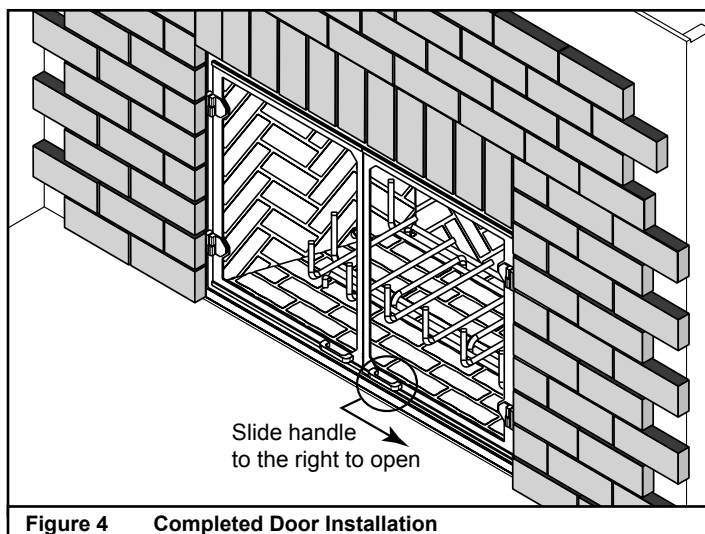


Figure 4 Completed Door Installation