



**Glass Door Kits: GGD36BK-B and GGD42BK-B**  
**for Models: EM-415, EM-485T, A36C, A42C, SA36C, SA42C**  
**- Installation and Operation Instructions -**



Leave this manual with party responsible for use and operation.

**WARNING**



**HOT! DO NOT TOUCH.**  
**SEVERE BURNS MAY RESULT.**  
**CLOTHING IGNITION MAY RESULT.**



Glass and other surfaces are hot during operation and cool down.

- Keep children away.
- CAREFULLY SUPERVISE children in same room as appliance.
- Alert children and adults to hazards of high temperatures.
- To avoid burns or clothing ignition, the doors must remain closed if children will be present during the operation and cool down of the fireplace.
- Do NOT operate with protective barriers open or removed.
- Keep clothing, furniture, draperies and other combustibles away.

**CAUTION! Risk of Cuts and Abrasions!** Wear protective gloves and safety glasses during installation. Sheet metal edges are sharp.

**IMPORTANT: Read all instructions carefully before starting installation. Failure to follow these installation instructions as detailed may result in a possible fire hazard and will void the warranty.**

It is highly recommended the outside air kit AK22 is used.

**WARNING! Risk of Fire and Injury!**

- Do NOT place oversize logs inside fireplace.
- Glass doors MUST not be used to hold logs or other materials inside the fireplace. Glass could break.
- All fires should be contained within the grate/refractory area.
- Never leave an open fire unattended even though the glass doors are closed.
- When firing, doors must be fully closed or fully open with screens drawn.

These glass doors have been tested for use with specific Hearth & Home Technologies fireplaces and are listed as fireplace parts. Refer to the fireplace installation instructions/owner's manual for the correct accessories to be used. Check with your local building code agency before you begin your installation to ensure compliance with local codes, including the need for permits and follow-up inspections. If encounter problems regarding code approvals or if you wish clarification of any of the instructions contained here, contact your local distributor/dealer or contact Technical Services at: [Hearth & Home Technologies, www.fireside.com](http://www.hearthandhometechnologies.com).

## CHECK CONTENTS OF SHIPPING CARTON

Compare contents in the following list with actual parts received. If any parts are missing, or damaged, contact your dealer before starting installation. Do not install a damaged glass enclosure kit.

### Kit Components:

(See Figure 1 for sheetmetal parts)

Qty.	Part	Item
1	Hinge: Bottom left.....	1
1	Hinge: Bottom right.....	2
1	Hinge: Top right.....	3
1	Hinge: Top left.....	4
2	Side Filler .....	5
2	Front Filler .....	6
4	Top/Bottom Tracks .....	7
1	Door Catch.....	8
2	Washers (thin).....	9
2	Doors .....	10
4	Steel Washers.....	11
4	Slotted Hinge screws .....	12
16	1/2" Sheet metal screws .....	13
2	Nylon Washers.....	14
2	3/8" Sheet metal screws .....	15

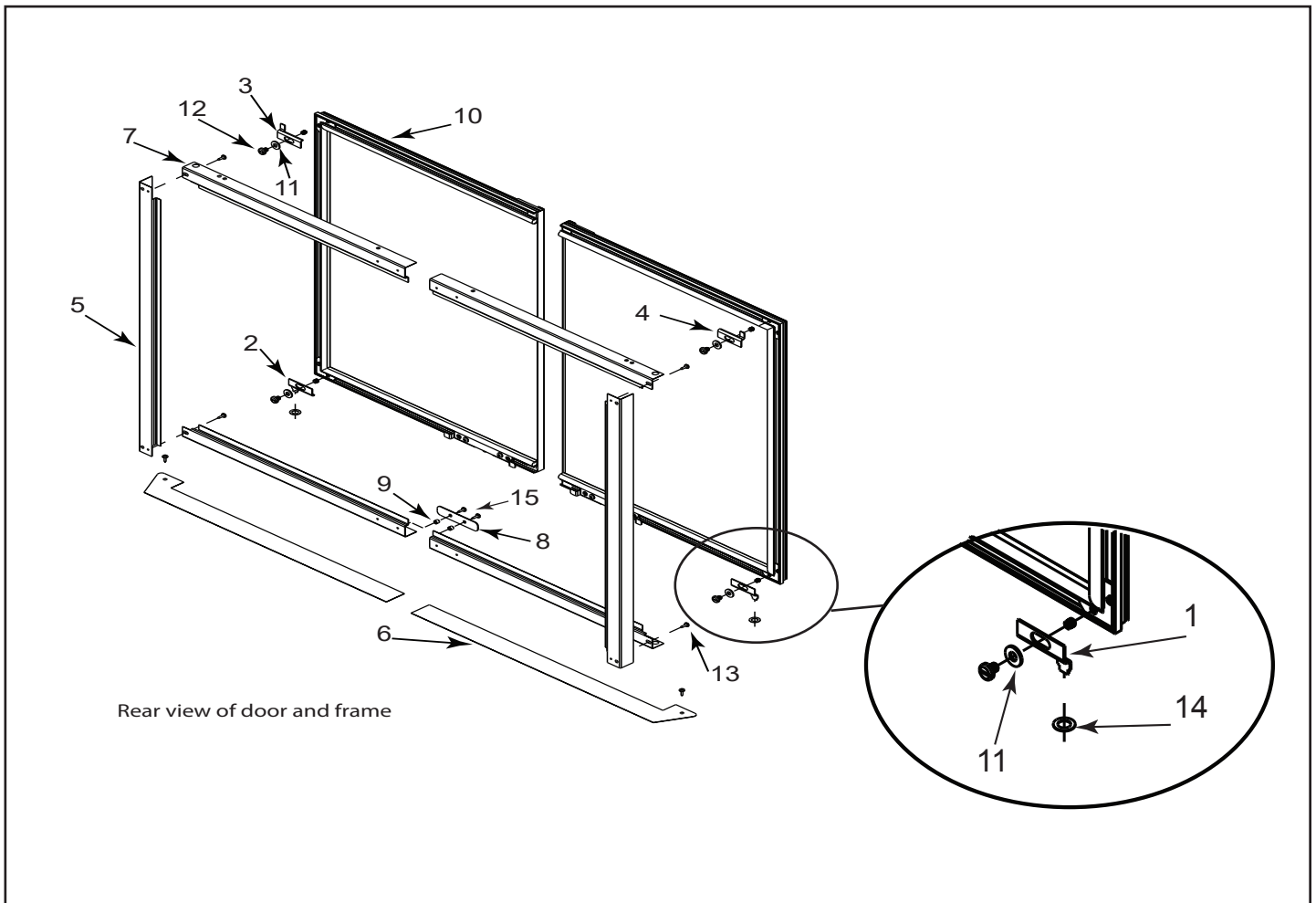


Figure 1

## CLEAN NEW MASONRY

Mortar and masonry cleaning agents will corrode metal unless they are neutralized. Therefore, if your fireplace surround has been faced with any type of masonry, wash it with ammonia water or a baking soda solution so the metal trim pieces of your kit will not be corroded.

**NOTICE:** The metal on the glass doors should be cleaned with a mild soap and water only.

## INSTALLATION INSTRUCTIONS

1. Unscrew, remove and discard top door track from fireplace.
2. Remove screen rods and screen.
3. Unscrew, remove and discard hearth filler (part covering the front of the hearthstone) by lifting and twisting one end at a time out from behind the columns. See Figure 2.

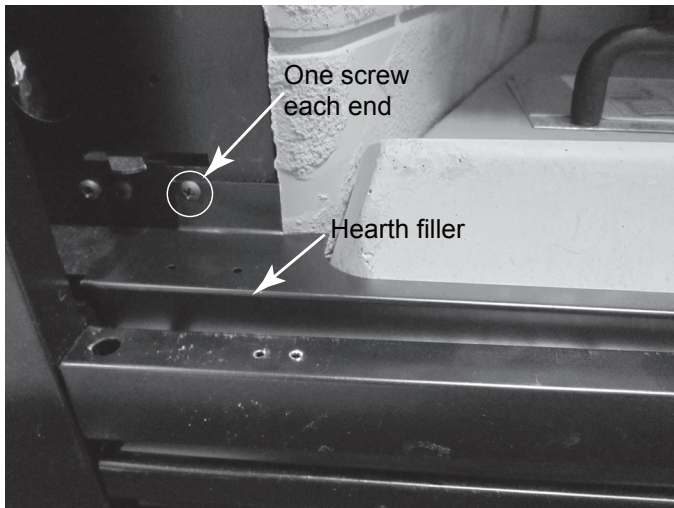


Figure 2

4. Lift up front of the hearthstone. While pulling stone forward, hold it up and slip both front fillers under the stone making sure the ears fit in behind the columns of the appliance. Push and sit the stone back into the appliance. See Figure 3 and Figure 4.

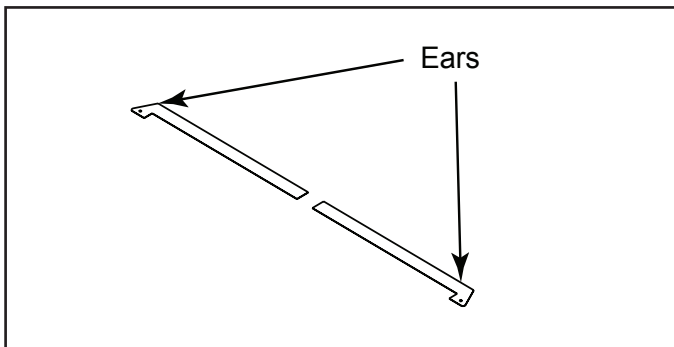


Figure 3 Front Fillers

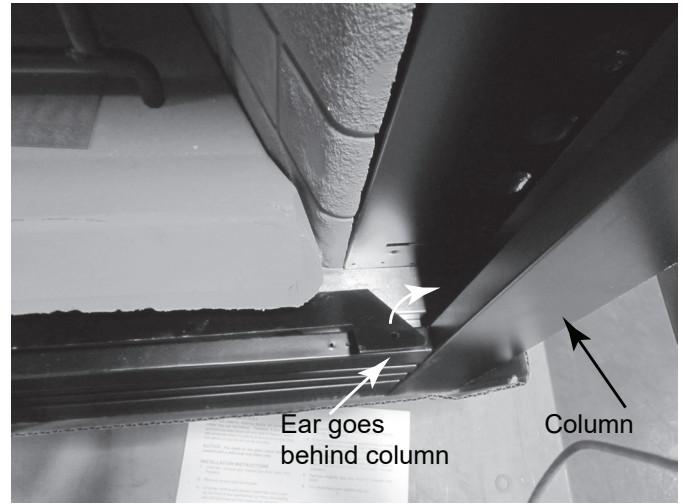


Figure 4

5. Slip side fillers in on both sides so that the long straight flange is behind columns. See Figure 5 and Figure 8.

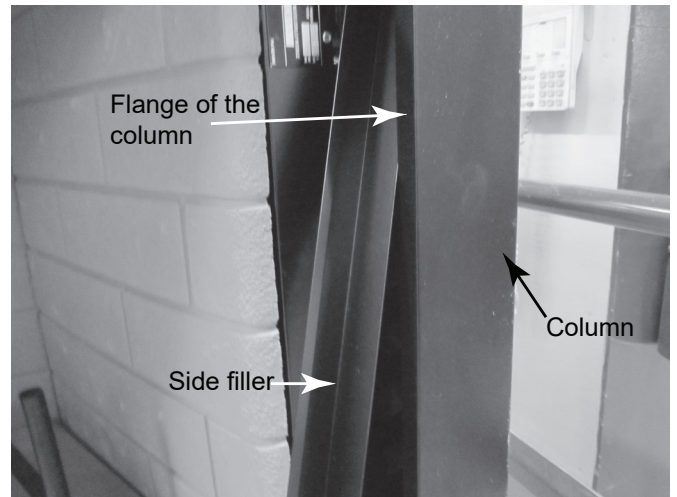


Figure 5

6. Screw top and bottom track to appliance with provided 1/2 inch sheet metal screws. Use 6 screws to attach top track and 6 screws to attach bottom track. See Figure 6.

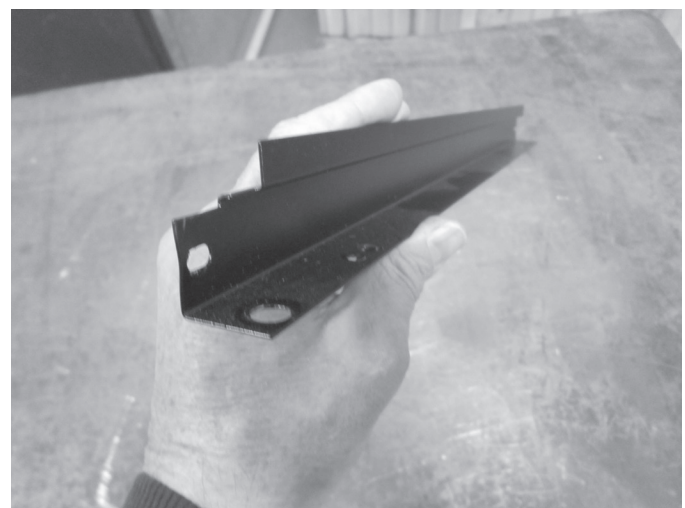


Figure 6 Door Track (4) pieces

7. Push side fillers tight against door tracks and secure with the supplied 1/2 inch screws through holes in back of top and bottom tracks. See Figure 8 for part orientation and Figure 7.

8. Remove shipping tape and shipping brackets from doors.
9. Turn doors face down (gasket side up).



Figure 7

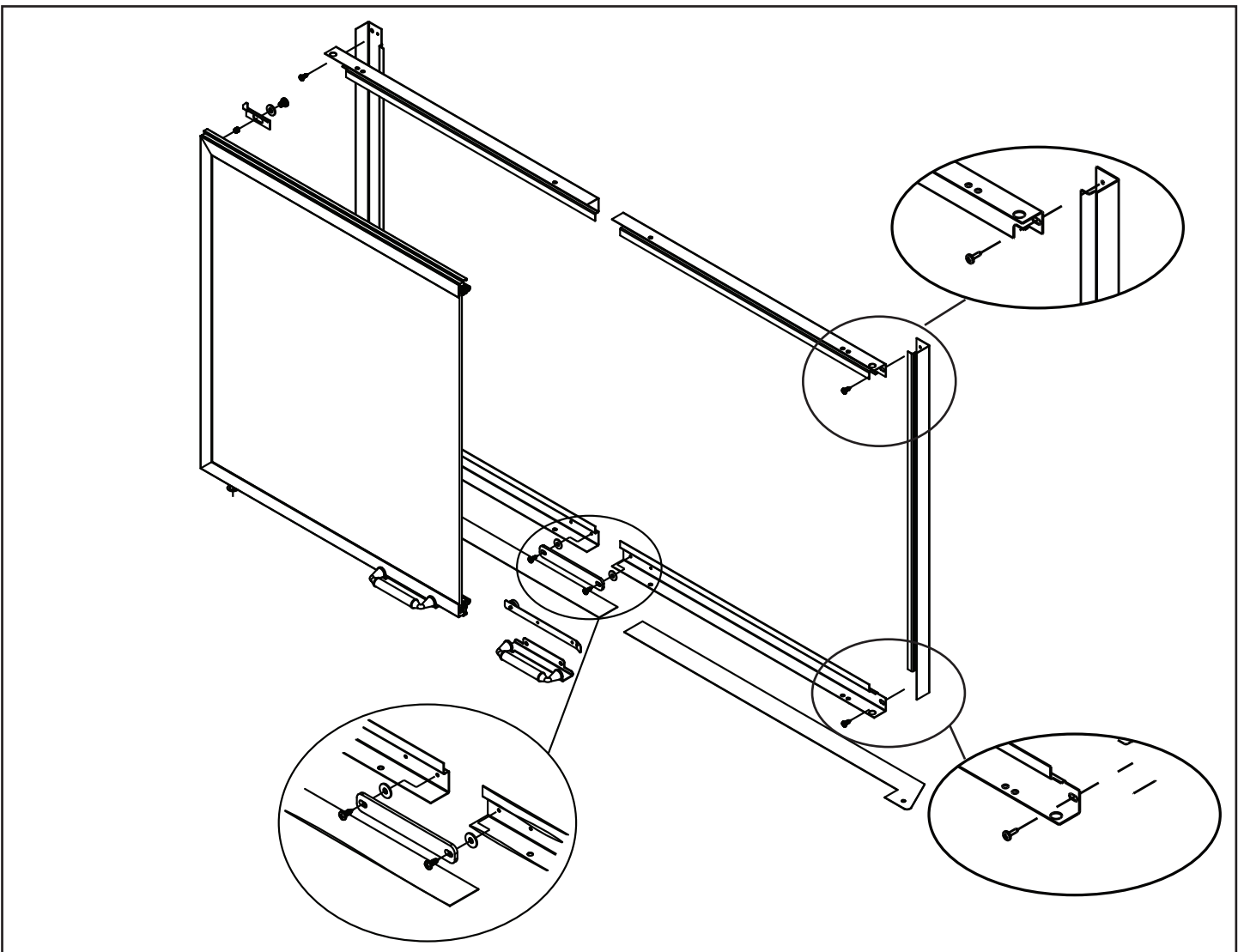


Figure 8

- Remove one set screw from top of top corner bracket and one from bottom of bottom corner bracket (see Figure 9). Discard the removed set screws.

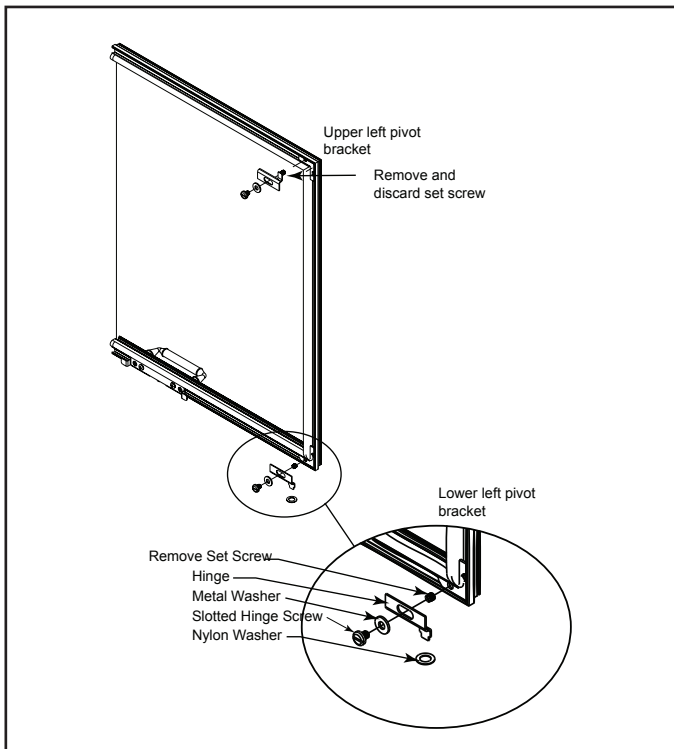


Figure 9

- Using a metal washer and slotted hinge screw, attach bottom pivot bracket onto the bottom of each door where the set screw was removed. See Figure 10.

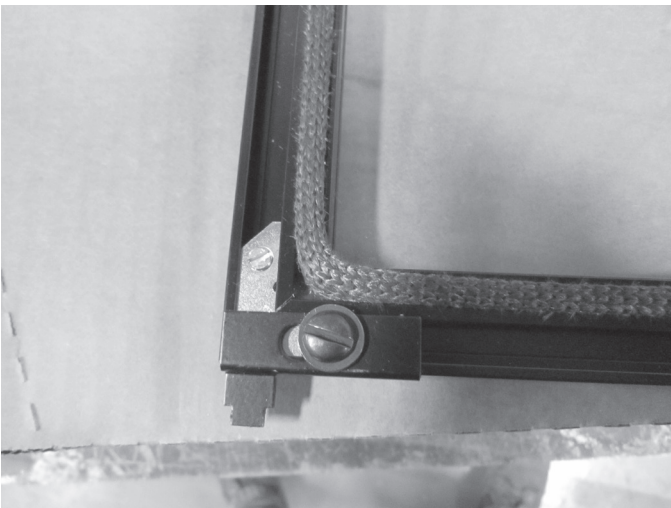


Figure 10

- Place nylon washer over hole in the bottom face of fireplace.
- Pick door up and insert bottom pivot bracket in the hole making sure you engage the nylon washer. HOLD ONTO THE DOOR UNTIL NEXT STEP IS COMPLETE.

- Insert the leg of the top pivot bracket up into the hole in the door track. Line up the top pivot bracket with hole in the corner brace on top of the door and attach with the slotted hinge screw and steel washer (both doors).

Repeat Steps 12-14 for the other door.

- Align doors by readjusting the pivot brackets and steel washers and sliding the doors in or out.
- Install the door latch with the (2) two 3/8" screws as shown in Figure 11. NOTE: Washers may be used to aid in adjustment.
- Reinstall screen assemblies from step #2.

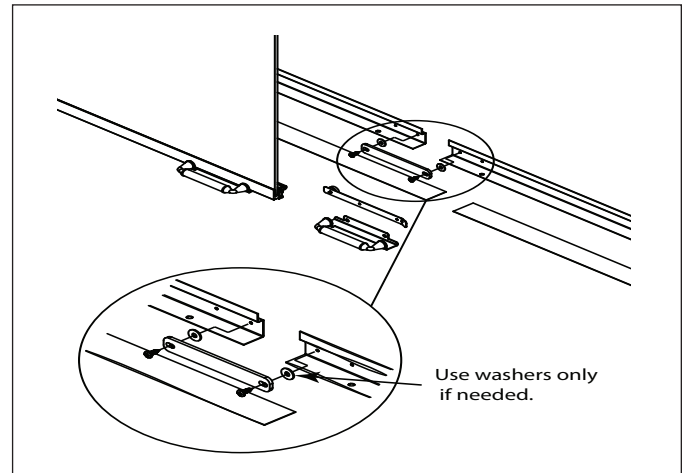


Figure 11

## Operating Precautions and Instructions

The glass doors and the fireplace flue damper must both be in the fully open position before starting your fire.

Follow the procedure for building and starting a fire as detailed in your fireplace homeowners manual. You may close the doors AFTER the fire is well started. THE FIRST FEW FIRES MUST BE SMALL TO ALLOW THE PROPER TEMPERING OF THE GLASS AND TO PREVENT GLASS BREAKAGE.

Do not, however, close the doors on an excessively hot fire. The glass must be allowed to warm slowly. Keep the fire well back from the doors and never let flames contact the glass.

If the fire gets too large at any time, open both sets of glass doors. This will quickly reduce the heat in the firebox. Push the logs or other fuel to the center of the firebox and rearrange into single layer. Let the fire burn to a smaller size before closing the glass doors again.

## **WARNING! Risk of Fire and Smoke!**

- **Operate only with doors fully open or doors fully closed. DO NOT leave doors partially open. Gas and flames may be drawn out of the fireplace opening.**
- **Fireplace screen must be closed when the doors are open.**

The following check list summarizes the key steps discussed under OPERATING INSTRUCTIONS:

1. Open doors and fireplace damper.
2. Build fire as described in fireplace manual.
3. Close doors after the fire is started IF fire is normal size.
4. If fire gets too large, open doors and reduce size of fire.
5. Keep damper open until fire is completely out and all smoking has stopped.

For maximum benefit and efficient usage, refer to operating instructions in owner's manual.

## Replacement Parts

Description	Part Number	
	GGD36BK-B	GGD42BK-B
Handle Assembly	SRV4015-169	
Door Assembly -Left	SRV4015-173	SRV4015-176
Door Assembly- Right	SRV4015-172	SRV4015-175
Door Gasket (Hi-Temp Silicone not included)	SRV 4087-306	
	Cut to 58"	Cut to 64"
Corner Bracket/Bracket Spacer (Pkg of 4)	16279A/4	
Side filler	690-105	
Front filler	(2) 4015-152	(2) 4015-153
Door Tracks (LH)	4015-149	4015-151
Door Tracks (RH)	4015-148	4015-150
<b>Hardware Pack</b>	SRV4015-177	
Screw 1/2" SMS (Pkg of 40)	12460/40	
Screw, Slotted Hinge(Pkg of 25)	030-862/25	
Washer (Pkg of 24)	28758/24	
Washer, Nylon (Pkg of 25)	27762/25	
Handle Assembly	SRV4015-169	
Handle Retainer Assembly	SRV4015-170	
Screw 8 x 3/8" SMS	4021-276	

Please contact your Hearth & Home Technologies dealer with any questions or concerns.

For the location of your nearest Hearth & Home Technologies dealer, please visit [www.fireside.com](http://www.fireside.com).

Hearth & Home Technologies.

7571 215th Street West, Lakeville, MN 55044

[www.fireside.com](http://www.fireside.com)