



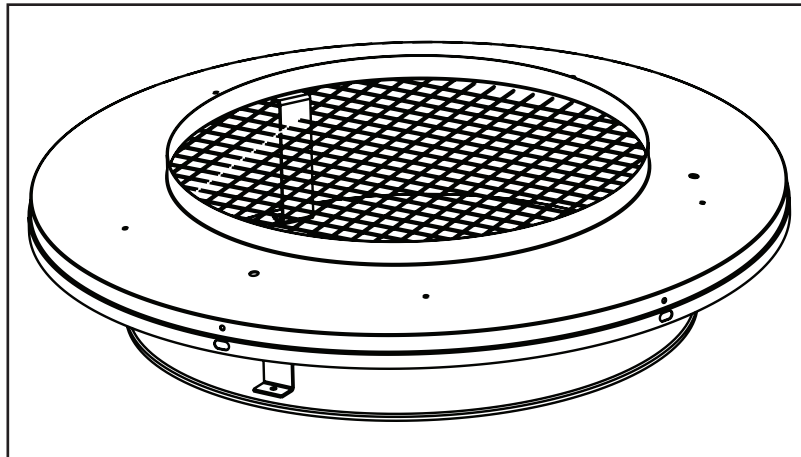
**TR-TVK ROUND TERMINATION  
TOP VENT KIT  
FOR USE WITH TR342, TR344, TR11 AND TR11T**



These chimney termination caps have been tested for use with specific Hearth & Home Technologies fireplaces and are UL listed as fireplace parts. Refer to the installation instructions supplied with the fireplace for the correct accessories to be used. Check with your local building code agency before you begin installation to ensure compliance with local codes, including the need for permits and follow-up inspections. If you encounter any problems regarding code approvals, or if you need clarification of any of the instructions contained here, contact your local distributor/dealer or visit [www.hearthnhome.com](http://www.hearthnhome.com).

**Note:** An arrow (➔) found in the text signifies change in content.

	<b>CAUTION</b>	
	<b>Sharp Edges</b>	
	<ul style="list-style-type: none"><li>• Wear protective gloves and safety glasses during installation.</li></ul>	



**Note:** The chimney must extend at least 3 ft (.91 m) above the highest point where it passes through the roof and at least 2 ft (.61 m) above any portion of the building within 10 ft (3.05 m). These minimum distances comply with national code construction requirements but do not guarantee smoke free operation.

Follow the installation instructions with the TR cap for proper termination. The termination cap should be installed completely before installing the shroud.

1. Remove the five screws from the top termination dish of the TR cap and lay aside the screws. Discard the top dish just removed. See Figure 1.

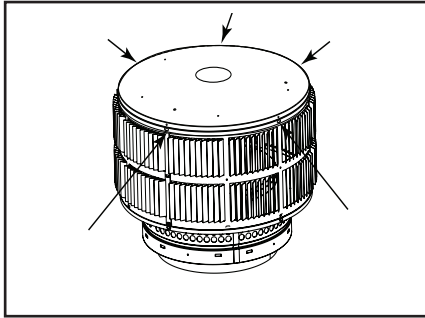


Figure 1

2. Place the TR-TV Top Dish Assembly on the cap and replace the five screws removed in Step 1. See Figure 2.

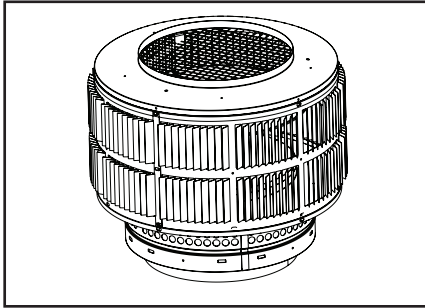


Figure 2

### Field Constructed Shrouds

Different shroud designs have been tested for HHT fireplace systems using the TR342, TR344, TR11 and TR11T termination caps and can be field constructed if the minimum dimensional requirements specified are maintained. These shrouds must be constructed from a minimum .018 in. (26 gauge) aluminized steel. The wire mesh is optional but recommended and should have a maximum 1/2 in. mesh opening. Some examples are shown below. See Figure 3.

### 1. Installation of the Shroud

- a. Center the hole in the bottom pan of the shroud over the termination cap and lower the shroud down to the chase top.
- b. Be sure to keep the shroud centered over the chimney termination and fasten the shroud to the chase top with screws.
- c. Be sure to caulk or seal around the screw heads to prevent leaks.

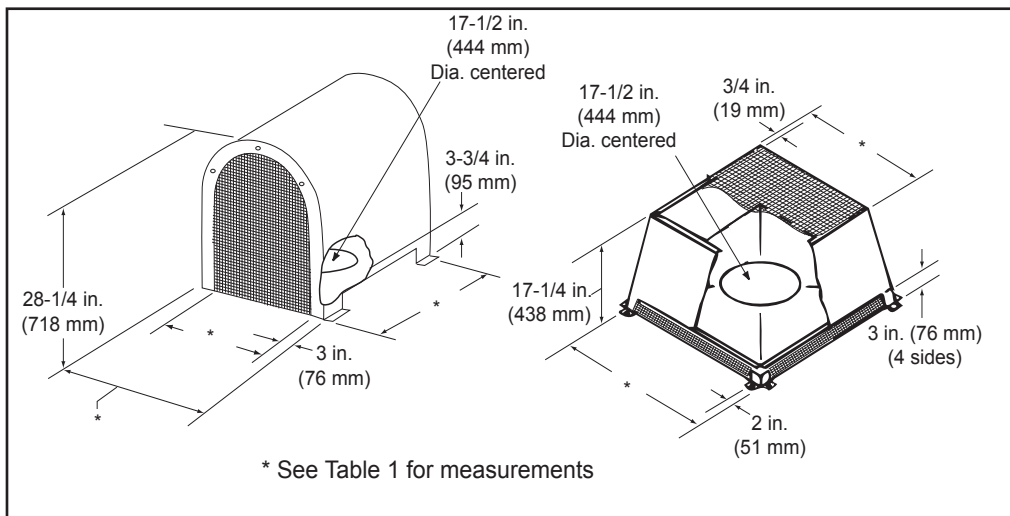
**Note:** The shroud must be removable or the top must be open to allow cleaning of the chimney.

### 2. Multiple Chimneys in a Single Chase

If more than one fireplace chimney is terminated from a single chase and you desire to use a decorative shroud, the following requirements must be maintained:

- a. The outside dimensions of the chase top must be large enough to ensure that the dimensional requirements shown in Table 1 can be maintained. The 2 in. clearance from the chimney to any combustible material must always be maintained.
- b. Position the individual shrouds over the termination caps and install to the chase top per the instructions in the previous section. Other arrangements of multiple chimneys are possible as long as the dimensions shown in Table 1 are observed to allow the mounting of individual shrouds.

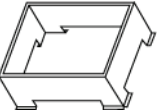

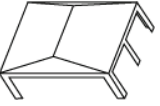
**Note:** Shroud legs are available to simplify the construction of the shrouds and to maintain the 3 in. distance from the bottom of the shroud to the chase top.



► Figure 3 Shroud Dimensions

# TABLE 1

## Woodburning Termination Cap

Shroud	TS345/T445 (Top Vent)	TR342/TR344 TR442/TR444	TV342 TR342/TR344* TR442/TR444* (* with TR-TVK installed)	TR11/TR11T	TV11/TV11T TR11/TR11T* (* with TR-TVK installed)
	<b>OPEN TOP</b> with solid sides and 3 in. (76 mm) opening at the bottom				
Minimum Base Dimensions	23 in. x 23 in. (584 x 584 mm)	28 x 28 in. (711 x 711 mm) with Radiation Shield	26 x 26 in. (660 x 660 mm)	32 x 32 in. (813 x 813 mm) with Radiation Shield	26 x 26 in. (660 x 660 mm)
Minimum Top Dimensions	20 x 20 in. (508 x 508 mm)	25 x 25 in. (635 x 635 mm)	23 x 23 in. (584 x 584 mm)	29 x 29 in. (737 x 737 mm)	23 x 23 in. (584 x 584 mm)
	<b>MAILBOX STYLE</b> with open ends and 3 in. (76 mm) opening at the bottom of the sides.				
Minimum Base Dimensions	N/A	26.5 x 28 in. (673 x 711 mm) with Radiation Shield	28 x 30 in. (711 x 762 mm)	34 x 34 in. (864 x 864 mm) with Radiation Shield	28 x 30 in. (711 x 762 mm) with Radiation Shield or 34 x 34 in. (864 x 864 mm)
Minimum Height	N/A	28 1/4 in. (718 mm)	27 1/2 in. (699 mm)	28 1/4 in. (718 mm)	27 1/2 in. (699 mm)
	<b>ROOFED STYLE</b> with 12 x 22 in. (264 sq. in.) (305 x 559 mm) opening on each side and 3 in. (76 mm) space between the radiation shield and chase top.				
Minimum Base Dimensions	N/A	27 x 27 in. (686 x 686 mm) with Radiation Shield	27 x 27 in. (686 x 686 mm) with Radiation Shield	34 x 34 in. (864 x 864 mm) with Radiation Shield	34 x 34 in. (864 x 864 mm) with Radiation Shield
Minimum Height	N/A	23 in. (584 mm)	23 in. (584 mm)	23 in. (584 mm)	23 in. (584 mm)
<b>Minimum Height is measured from the bottom of the termination cap:</b> Minimum height is established with the bottom of the termination cap 7 in. (178 mm) above the chase top. Minimum height must increase accordingly for any height above 7 in. (178 mm).					
<b>All dimensions are INSIDE dimensions.</b>					