



Hearth & Home Technologies Inc.  
1915 W. Saunders St.  
Mt. Pleasant, Iowa 52641

# INSTALLATION INSTRUCTIONS

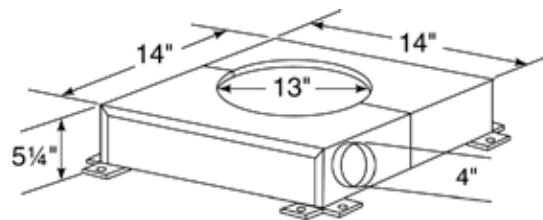
## CAK5A - CHIMNEY AIR KIT

This chimney air kit has been tested and listed by Underwriters Laboratories, Inc. to UL 127 and ULC S610 for use on Hearth & Home Technologies (HHT) factory built fireplaces. If you need assistance during installation, please contact your local dealer.

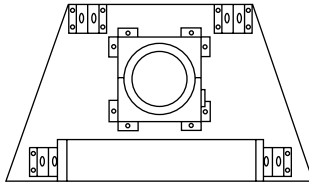
**Note:** An arrow (➔) found in the text signifies change in content.

### 1. Description

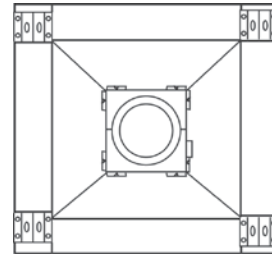
You must first verify you have the correct kit for your HHT fireplace. Refer to your installation instructions/owner's manual for the correct chimney air kit (CAK) to be used. The CAK5A includes a chimney air box assembly, an outside air inlet vent hood, two wire ties and a hardware package.



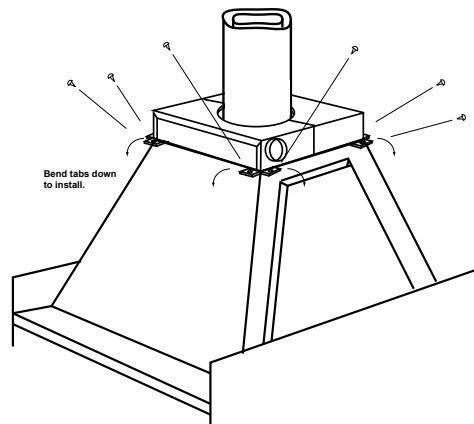
**CAK5A**



**Figure 1**  
**CAK on Top of Fireplace**



**Figure 2**  
**CAK on Top of See -Through Fireplace**



**Figure 3**  
**CAK on Top of See Through Fireplace**

## 2. Installation

- Once the chimney pipe is installed, place the box on top of the fireplace around the chimney pipe and attach the two halves of the CAK together. See Figure 1 and 2. Installation on a see-through fireplace will require bending the tabs down to match the angle of the top pan/smoke shield. See Figure 3.
- Use the pre-punched holes in the tabs as guides and drill 3/32 in. holes through the fireplace top.
- Secure the box with the screws provided.

## 3. Air Duct

- Connect a 4in. Class 1 duct to the collar on the CAK by using one of the wire ties provided.
- Route the duct to an outside wall. The inlet vent hood must be installed no lower than six feet above ground level so it will not be blocked by drifting snow, etc. If the CAK is installed in a chase, the inlet vent hood must be at least three feet below the chimney top.
- Cut a hole through the outside wall for the installation of the duct inlet vent hood. A 4 $\frac{3}{4}$  in. diameter hole is sufficient.
- Feed the loose end of the duct through the hole.
- Attach it to the inlet vent hood with the wire tie provided.
- Push the vent hood into the hole and secure it in place.

## 4. Venting Restrictions

The duct must never be compressed or deformed! Reducing the cross sectional area of the duct will reduce the amount of air flow. When additional ducting is needed, use Class 1 metallic duct material to connect sections of the Class 1 duct referred to in Step 3.