

Models:
CAK4A Chimney Air Kit



This chimney air kit has been tested and listed to the UL 127 Standard and the ULC S610 Standard for use on the Hearth & Home Technologies, inc. factory-built fireplaces by Underwriters Laboratories, Inc. If you need assistance during installation, please contact your local dealer. For a dealer nearest you, please visit www.hearthnhome.com.

1. Description

You must first verify you have the correct kit for your HHT fireplace. Refer to your installation instructions/owner's manual for the correct chimney air kit (CAK) to be used. The CAK4A includes a chimney air box assembly, an out side air inlet vent hood with stucco flange, two wire ties and a hardware package. See Figure 1.

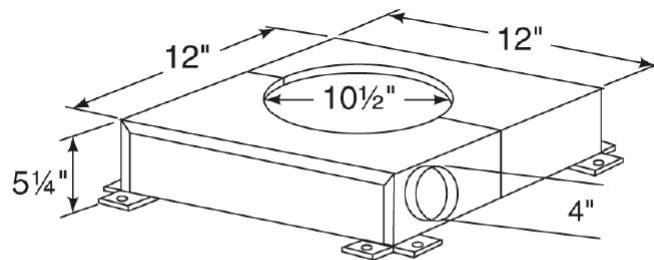


Figure 1 CAK4A - Chimney Air Kit



2. Installation

- Once the chimney pipe is installed, place the box on top of the fireplace around the chimney pipe and attach the two halves of the CAK together. See Figures 2 and 3. Installation on a see-through fireplace will require bending the tabs down to match the angle of the top pan/smoke shield. See Figure 3.
- Use the pre-punched holes in the tabs as guides and drill 3/32" holes through the fireplace top.
- Secure the box with the screws provided.

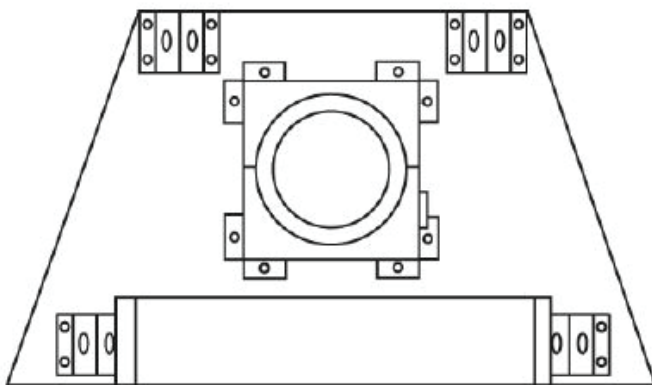


Figure 2 CAK4A - On Top of Fireplace

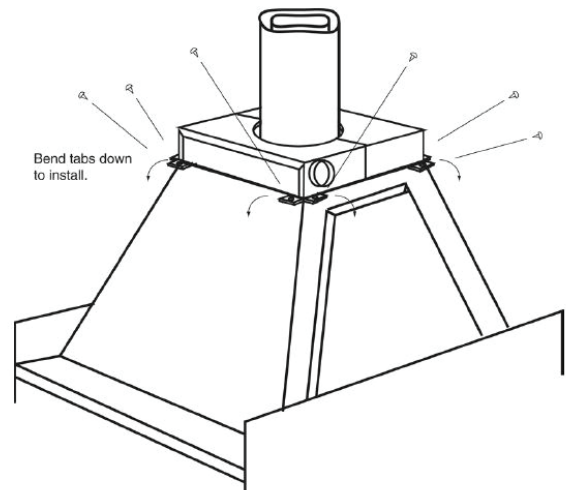


Figure 3 CAK4A - On top of See-Through Fireplace

3. Air Duct

- Connect a 4" Class 1 or a Class 0 duct to the collar on the CAK by using one of the wire ties provided.
- Route the duct to an outside wall. The inlet vent hood must be installed no lower than four feet above the ground level so it will not be blocked by drifting snow, etc. If the CAK is installed in a chase, the inlet vent hood must be at least three feet below the chimney top.

4. Cut a hole through the outside wall for the installation of the duct inlet vent hood.

- A 4 3/4" diameter hole is sufficient.
- Feed the loose end of the duct through the hole. Attach it to the inlet vent hood with the wire tie provided.
- Push the vent hood into the hole and secure it in place.

WARNING! Risk of Fire!

- *The flex pipe must never be compressed or deformed!*
- *Restricting the airflow inside the flex pipe may increase flue pipe temperatures causing a chase fire.*

5. Venting Restrictions

- Reducing the cross sectional area of the duct will reduce the amount of air flow. When additional ducting is needed, use Class 1 or Class 0 metallic duct material to connect sections of the Class 1 or Class 0 duct referred to in Step 3.

6. P Traps

- When using the chimney air kit (CAK) and the outside air kits, it is recommended that you install a P trap as shown in Figure 4 by bending the flex duct, or using 90° elbows if using rigid duct to help prevent air circulation when the fireplace is not in use. In colder climates, it is strongly recommended to use an insulated duct.

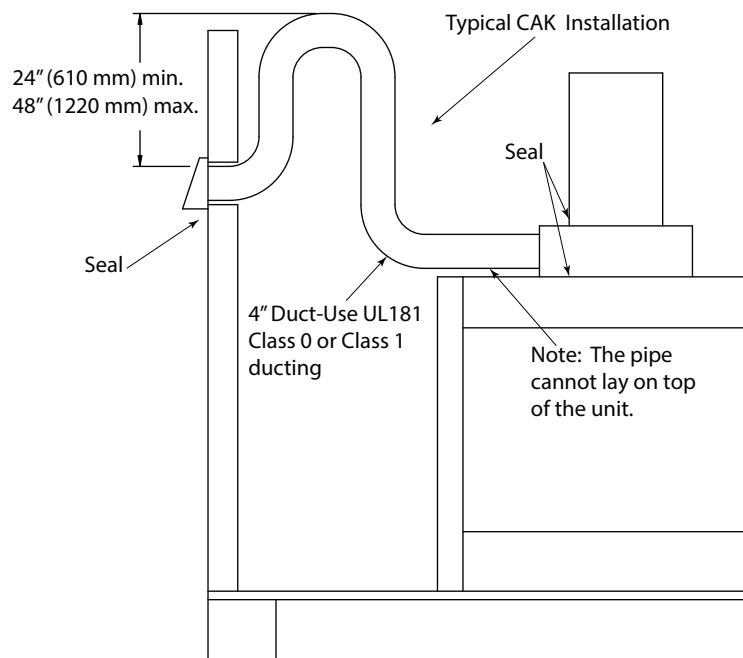


Figure 4 P Trap Installation Using Flex Pipe