

HZLIN-ADP

Models: MEZZO-C, CRAVE-C, ECHELON-C

Heat-Zone®-Gas Adapter Installation Instructions



Leave this manual with party responsible for use and operation.

CAUTION! Risk of Cuts, Abrasions or Flying Debris.
Wear protective gloves and safety glasses during installation. Sheet metal edges are sharp.

CAUTION! Do not install damaged components.
If any parts are missing or damaged, contact your dealer before starting installation. **DO NOT** install a damaged kit.

DANGER



HOT GLASS WILL CAUSE BURNS.

DO NOT TOUCH GLASS UNTIL COOLED.

NEVER ALLOW CHILDREN TO TOUCH GLASS.

A barrier designed to reduce the risk of burns from the hot viewing glass is provided with this appliance and must be installed for the protection of children and other at-risk individuals.

Kit Contents

Verify and remove contents from packaging before beginning installation.

- (1) Collar
- (1) Damper
- (1) Power Cord
- (1) Zip Tie, 14 inch
- (4) Screws

Introduction

This adapter kit is for use with the Heat-Zone®-Gas Kit and is necessary when the optional Heat-Zone-Gas is installed on the MEZZO-C, CRAVE-C, or ECHELON-C models.

Installation

1. Locate the Heat-Zone-Gas knockouts on the top of the appliance as shown in Figure 1. Remove one of the outer knockouts from the appliance with a tin snips or screwdriver. Inner knockouts cannot be used for Heat-Zone-Gas installation.
2. Remove the insulation from the hole of the knockout that was removed. See Figure 2.

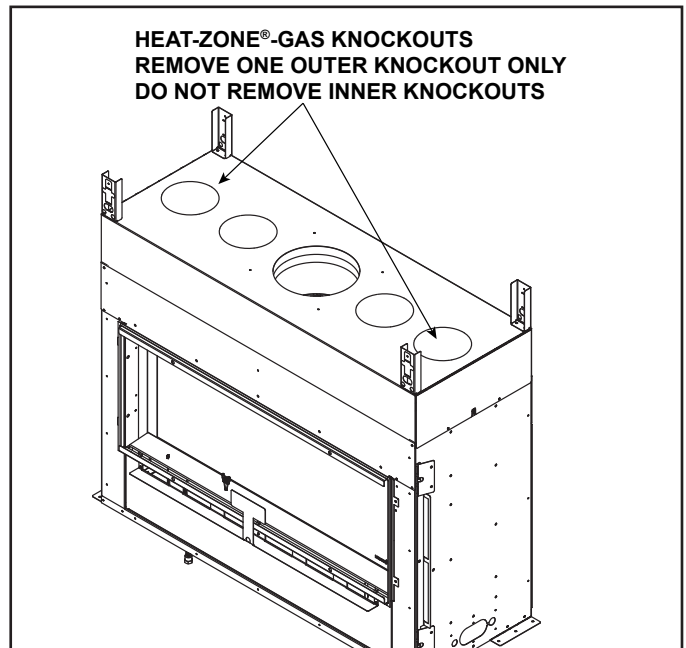


Figure 1 Top Knockout Locations

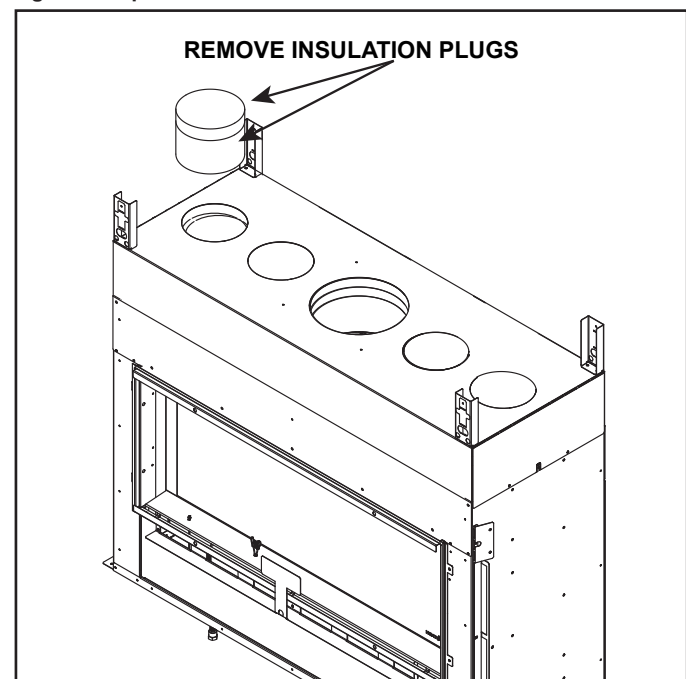


Figure 2 Remove Insulation

- Place the collar, included with the HZLIN-ADP kit, into the opening as shown in Figure 3.

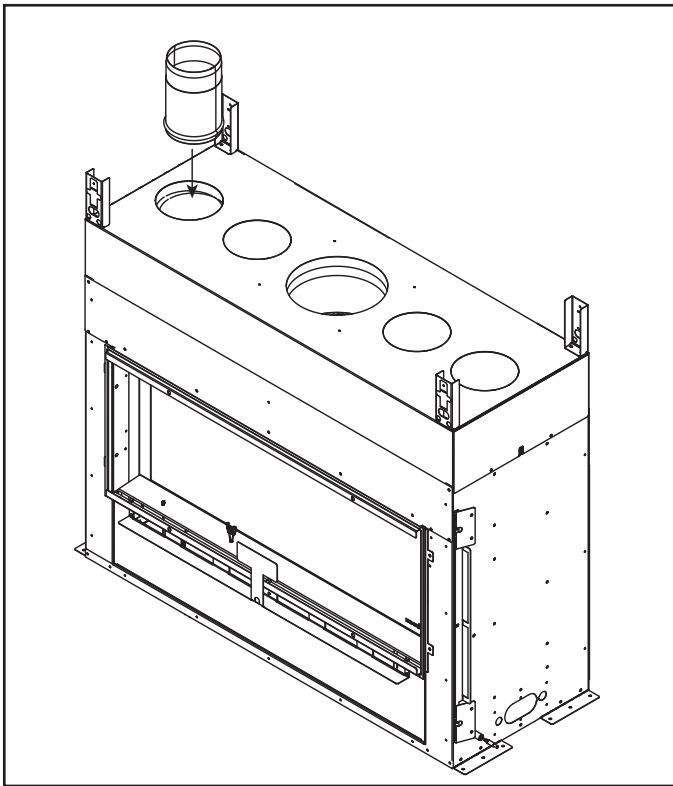


Figure 3 Install Collar

- Center the duct collar, included with the Heat-Zone-Gas kit, around the open hole and attach it to the appliance with 3 screws included in the Heat-Zone®-Gas kit. See Figure 4.
- Attach damper to the Heat-Zone-Gas duct collar with three screws. Install damper with the crimped side up. See Figure 4.

CAUTION! Risk of Overheating! Risk of Burns! Damper must be installed. Register will become hot in absence of damper.

NOTICE: Damper must be installed correctly or it will not function properly.

- Verify the damper opens and closes properly.
- Attach six inch duct to the damper using a zip tie. See Figure 4.
- Use the power cord supplied with the HZLIN-ADP kit to plug the Heat-Zone-Gas into the fan port on the auxiliary control module (ACM). See Figure 5.

Note: A certified electrician may remove the spade connectors and replace with wire nuts.

Refer to the Heat-Zone®-Gas Kit instructions for the remaining installation steps.

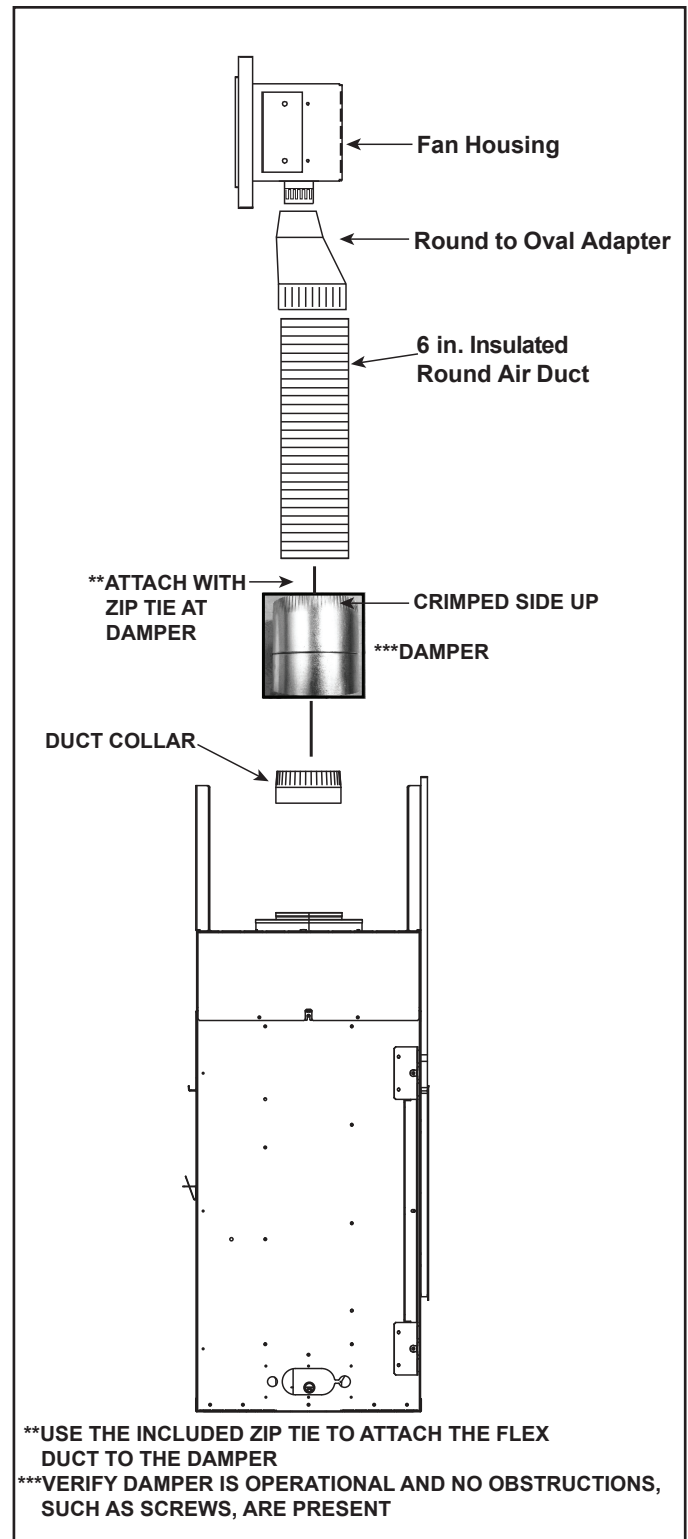


Figure 4 Assemble the Heat-Zone®-Gas Components

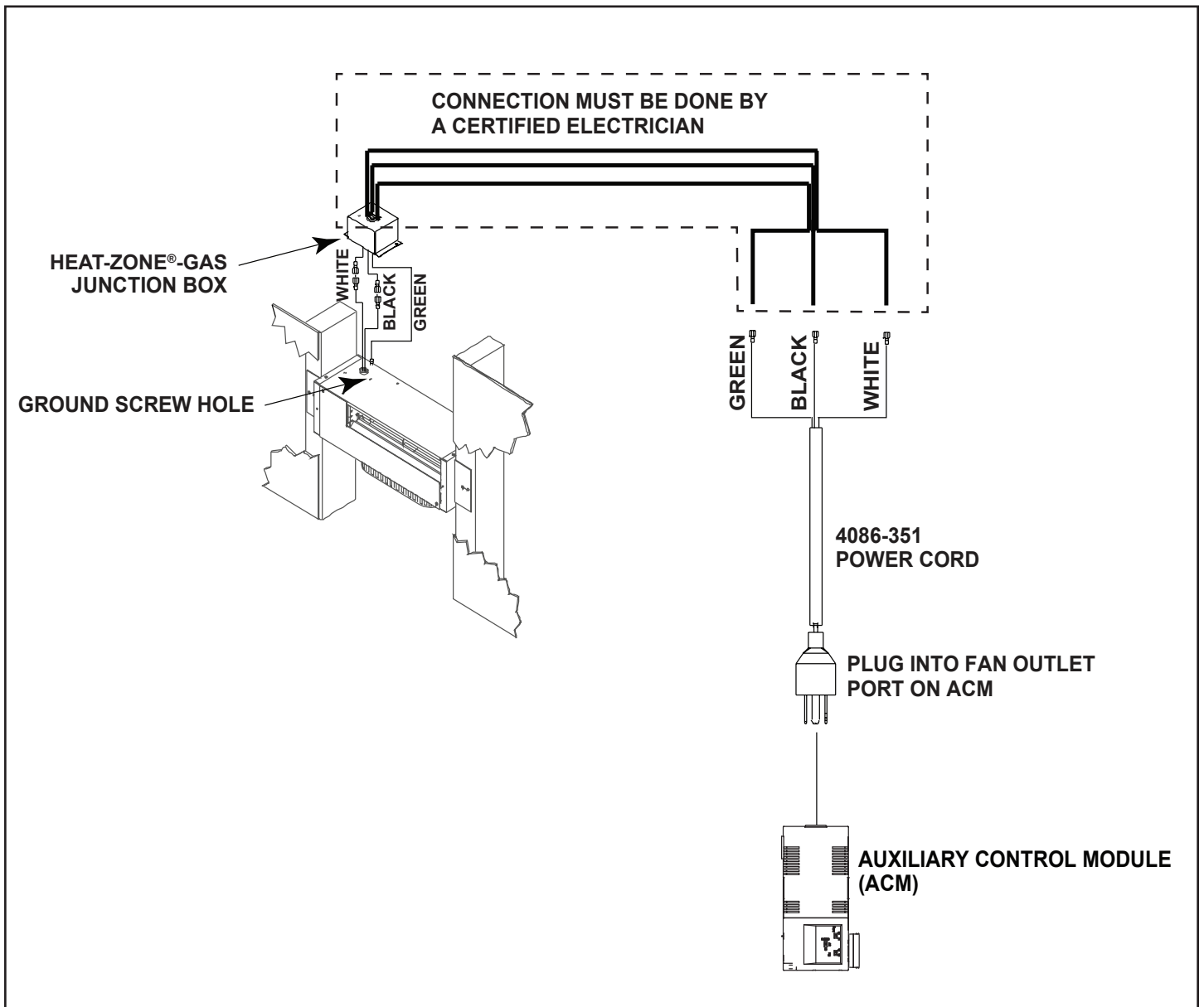


Figure 5 Heat-Zone®-Gas Wiring Diagram

Maintenance

Service and maintain the gas fireplace per instructions.
 Keep the air register(s) clean and free of any blockage.

Please contact your Hearth & Home Technologies dealer with any questions or concerns.
 For the location of your nearest Hearth & Home Technologies dealer,
 please visit www.hearthnhome.com.

Hearth & Home Technologies
 7571 215th Street West, Lakeville, MN 55044
www.hearthnhome.com