

# FOLIO, CALI, ESSENCE, CAMBREE, CAULDRON Decorative Fronts

## FOLIO-6, FOLIO-8, CALI36, CALI42, ESSENCE36, ESSENCE42, CAMBREE36, CAMBREE42, CAULDRON36, CAULDRON42

- Installation Instructions for all available color choices -



Leave this manual with party responsible for use and operation.

**CAUTION! Risk of Cuts, Abrasions or Flying Debris.** Wear protective gloves and safety glasses during installation. Sheet metal edges are sharp.

## **DANGER**



**HOT GLASS WILL CAUSE BURNS.**

**DO NOT TOUCH GLASS UNTIL COOLED.**

**NEVER ALLOW CHILDREN TO TOUCH GLASS.**

A barrier designed to reduce the risk of burns from the hot viewing glass is provided with this appliance and must be installed for the protection of children and other at-risk individuals.

**WARNING! Risk of Fire!** Combustible materials **MUST NOT** overlap or be placed behind a decorative front.

**CAUTION! Do not install damaged components.**

### Preparation

1. Remove contents from packaging.

**Note:** Finishing strips are not used with these decorative fronts, but are shipped with some appliance models. Ensure finishing strips are removed from control cavity of appliance and discarded before beginning installation of decorative front.

### Installation Instructions

#### Cambree / Cauldron Only:

1. Remove hood clips from manual bag and install on fireplace in locations shown in Figure 1.
2. Cambree/Cauldron fronts only: Center the hood at the top of the discharge opening and slide it into the hood clips as shown in Figure 2. Ensure it is fully seated into the hood clips.

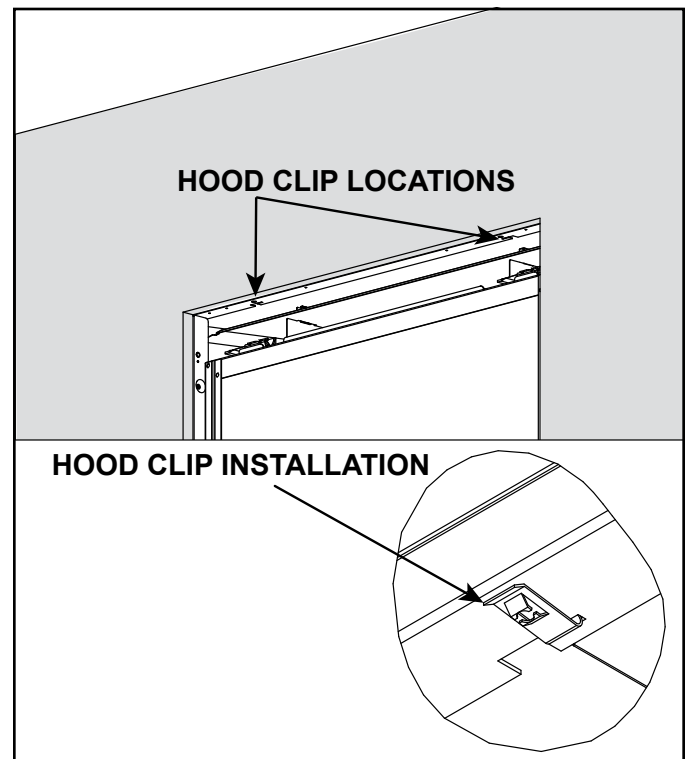


Figure 1 Hood Clip Locations (Cambree and Cauldron Only)

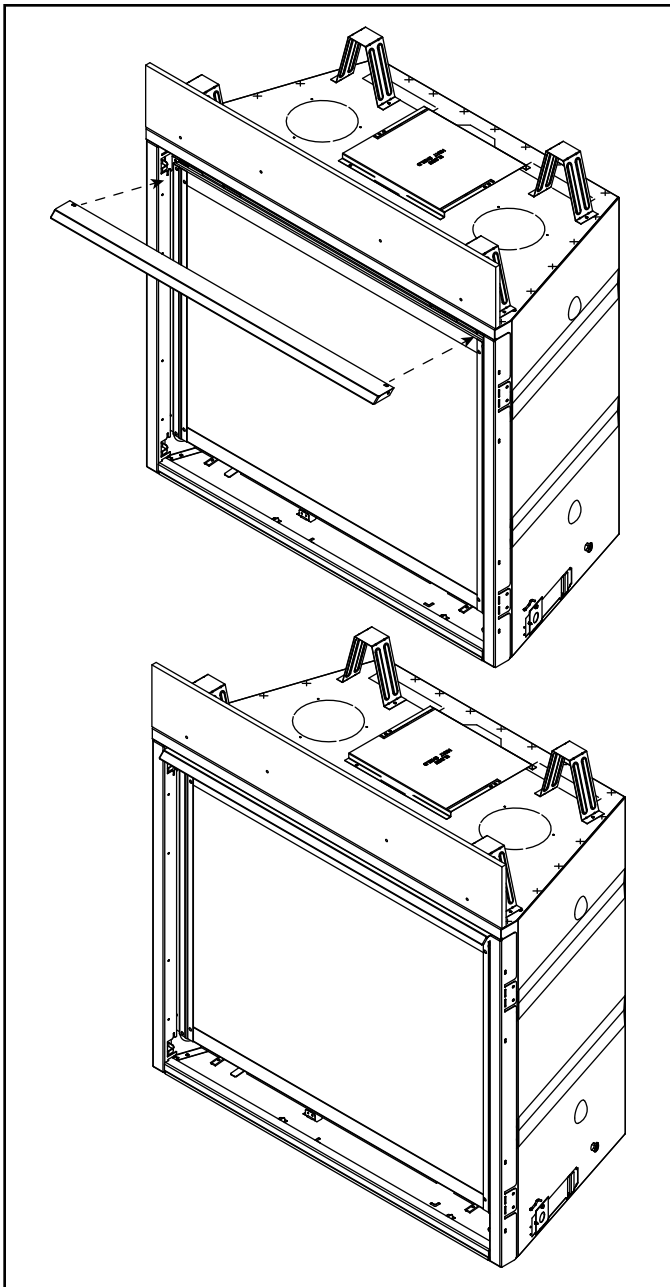


Figure 2 Hood Installation (Cambree and Cauldron Only)

**All Decorative Fronts:**

3. The decorative front is installed by engaging top and bottom hooks on the front with top and bottom tabs on the appliance. See Figure 3. Align the bottom hooks on the decorative front with the bottom tabs on the appliance. Set the bottom hooks on the tabs and tilt the front toward the appliance until it contacts the top tabs. Once the decorative front contacts the top tabs, lift up slightly and push decorative front toward appliance until hooks and tabs are engaged.

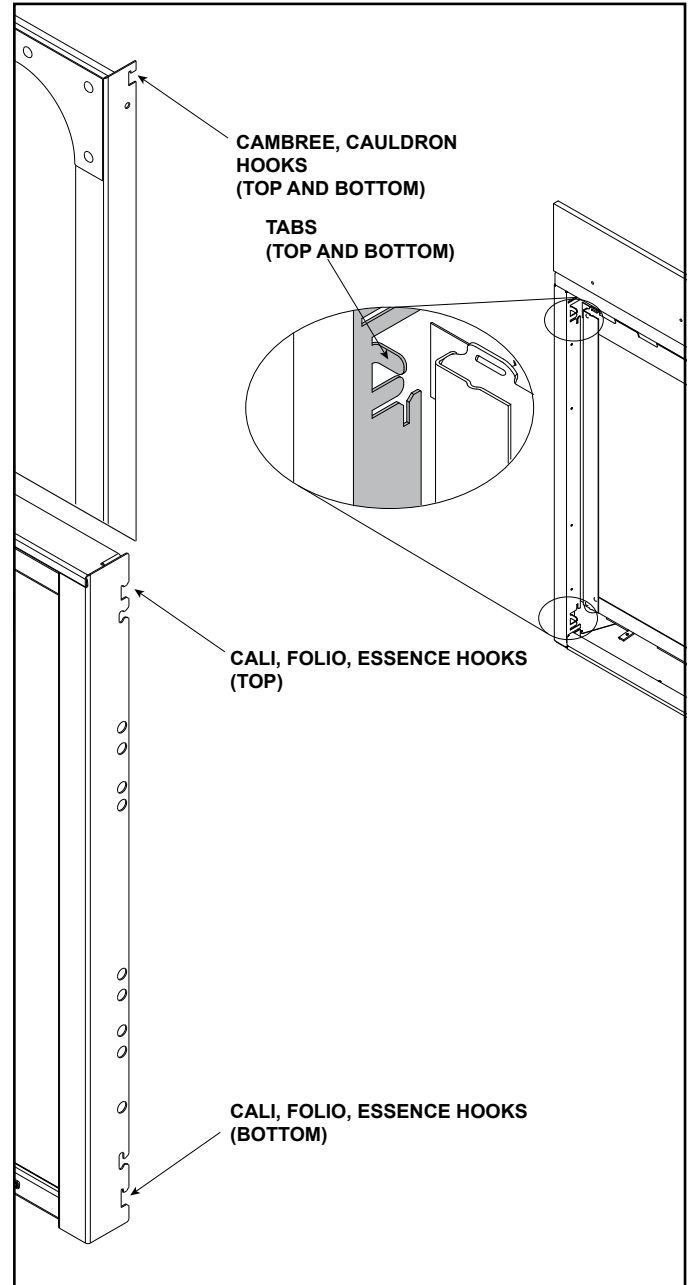


Figure 3 Hanging Tab Locations

### Cleaning Instructions for Decorative fronts

Use a microfiber cloth and Windex® Original Glass Cleaner or 03M003 Stove Bright® Glass Cleaner to clean the decorative front immediately after installation to remove acids deposited by the installer or technician. Spray the cleaner onto the microfiber cloth and carefully wipe the entire surface. The decorative front should be cleaned in this manner annually by the homeowner to remove fingerprints or other contaminants. Once oxidation of the paint pigment has occurred, cleaning will not restore the original color.

### Service Parts

Front	Part Number	Description
FOLIO-6/CALI36/ESSENCE36/CAULDRON36/CAMBREE36	SRV2583-023	Mesh
FOLIO-8/CALI42/ESSENCE42/CAULDRON42/CAMBREE42	SRV2587-023	
CAULDRON36-BK/CAMBREE36-BK	SRV2591-214-BK	Hood
CAULDRON36-NB/CAMBREE36-NB	SRV2591-214-NB	
CAULDRON36-GM/CAMBREE36-GM	SRV2591-214-GM	
CAULDRON42-BK/CAMBREE42-BK	SRV2593-214-BK	
CAULDRON42-NB/CAMBREE42-NB	SRV2593-214-NB	
CAULDRON42-GM/CAMBREE42-GM	SRV2593-214-GM	
CAULDRON/CAMBREE	047-805-24	Hood Clip

Please contact your Hearth & Home Technologies dealer with any questions or concerns. For the location of your nearest Hearth & Home Technologies dealer, please visit [www.hearthnhome.com](http://www.hearthnhome.com).

Hearth & Home Technologies  
7571 215th Street West, Lakeville, MN 55044  
[www.hearthnhome.com](http://www.hearthnhome.com)