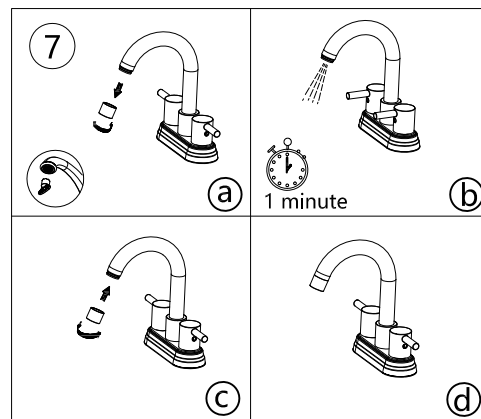
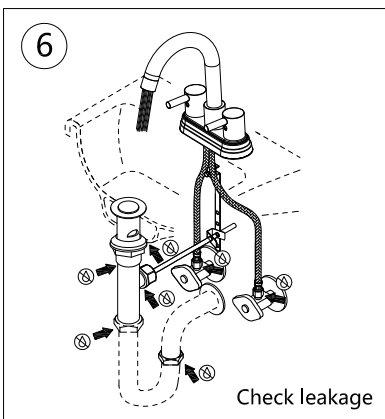
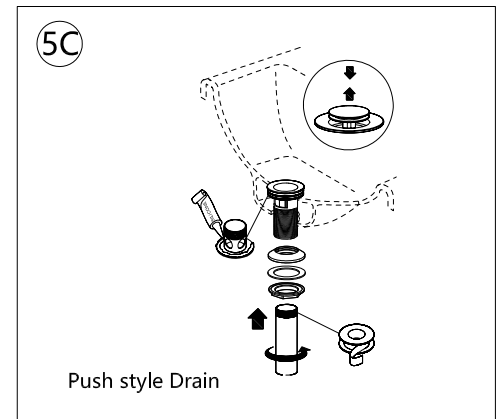
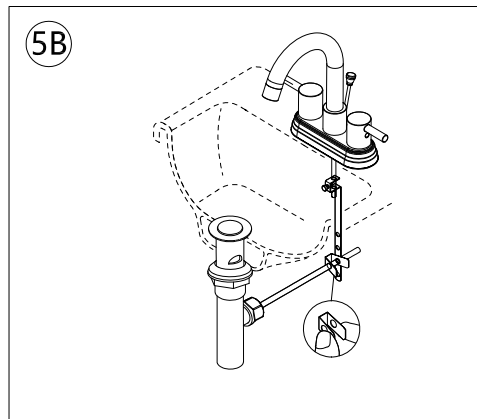
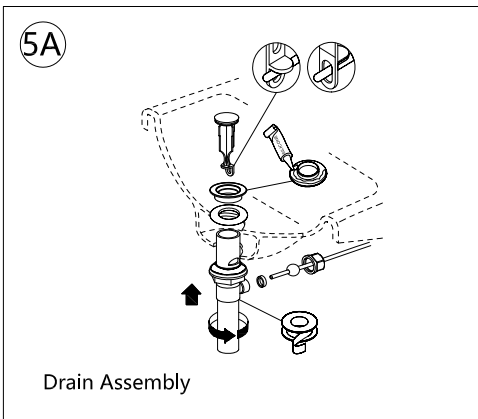
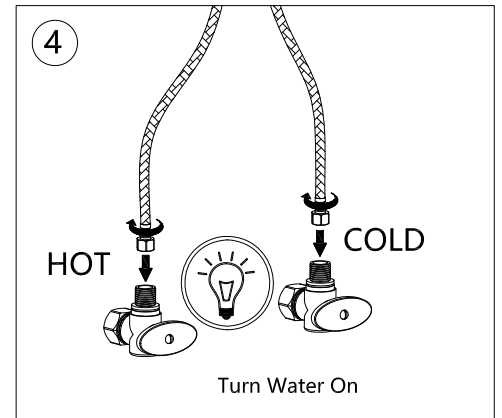
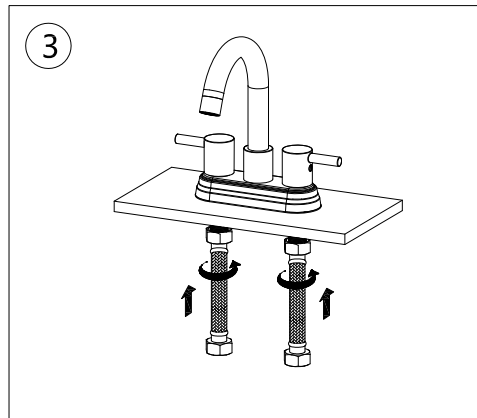
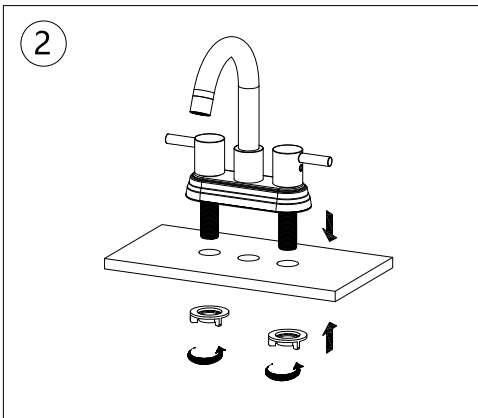
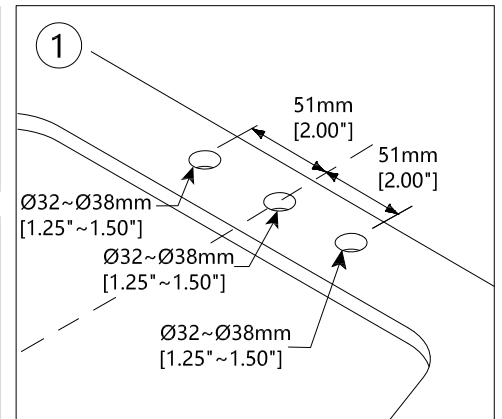
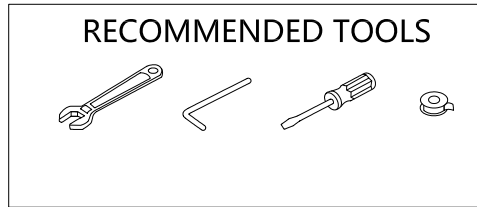
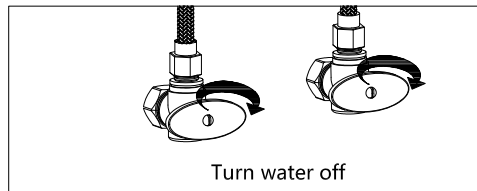
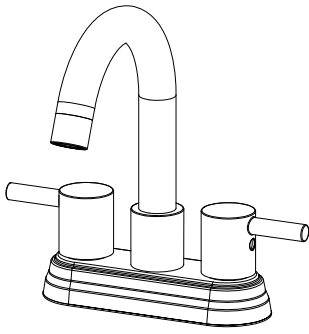
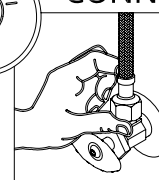





Huntington Brass Installation Instructions for: Center Set Lavatory Faucet



CONNECTION ADVICE



Firmly hand tighten the hose to the valve and add a quarter-turn using the proper wrench. Tighten more if needed.

The model shown in the installation steps may differ from the one in box, however the connection type and installation steps are the same.