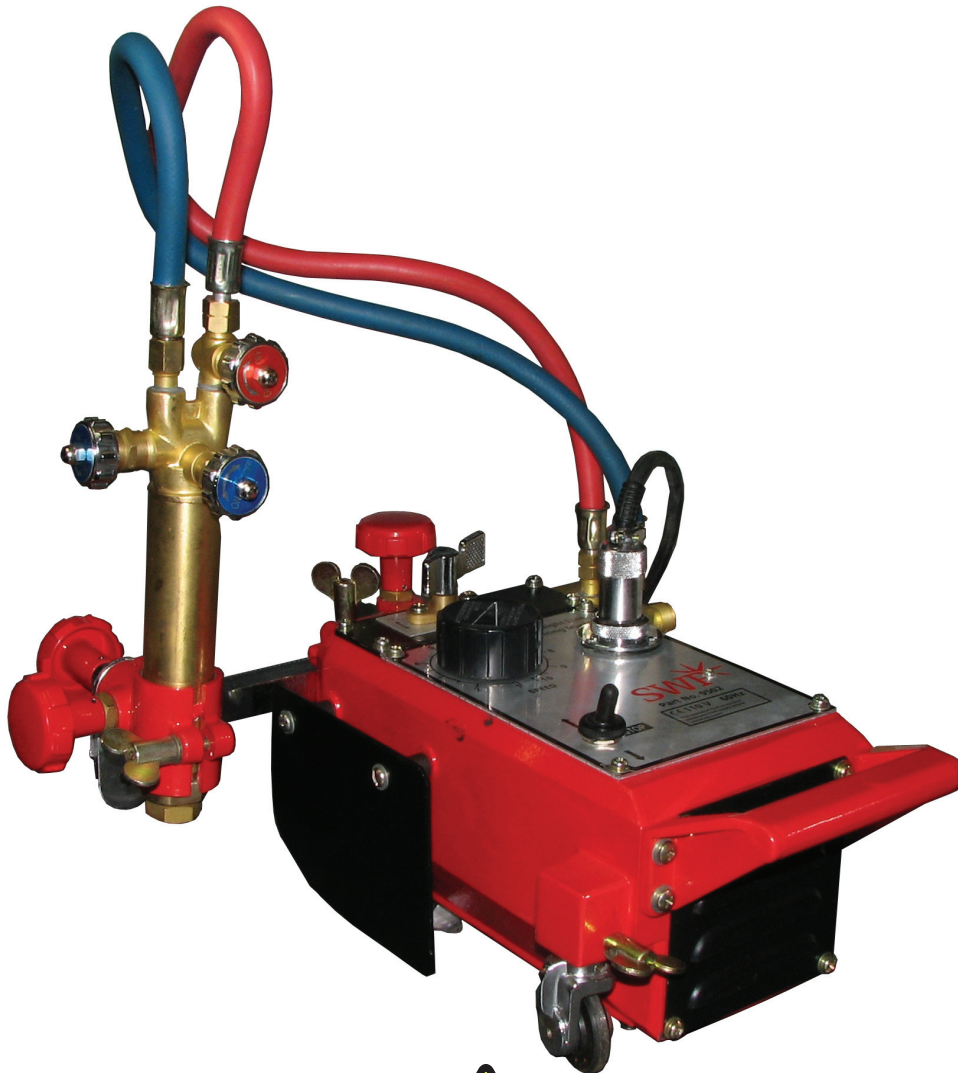




Straight Line Cutter

Operations Manual



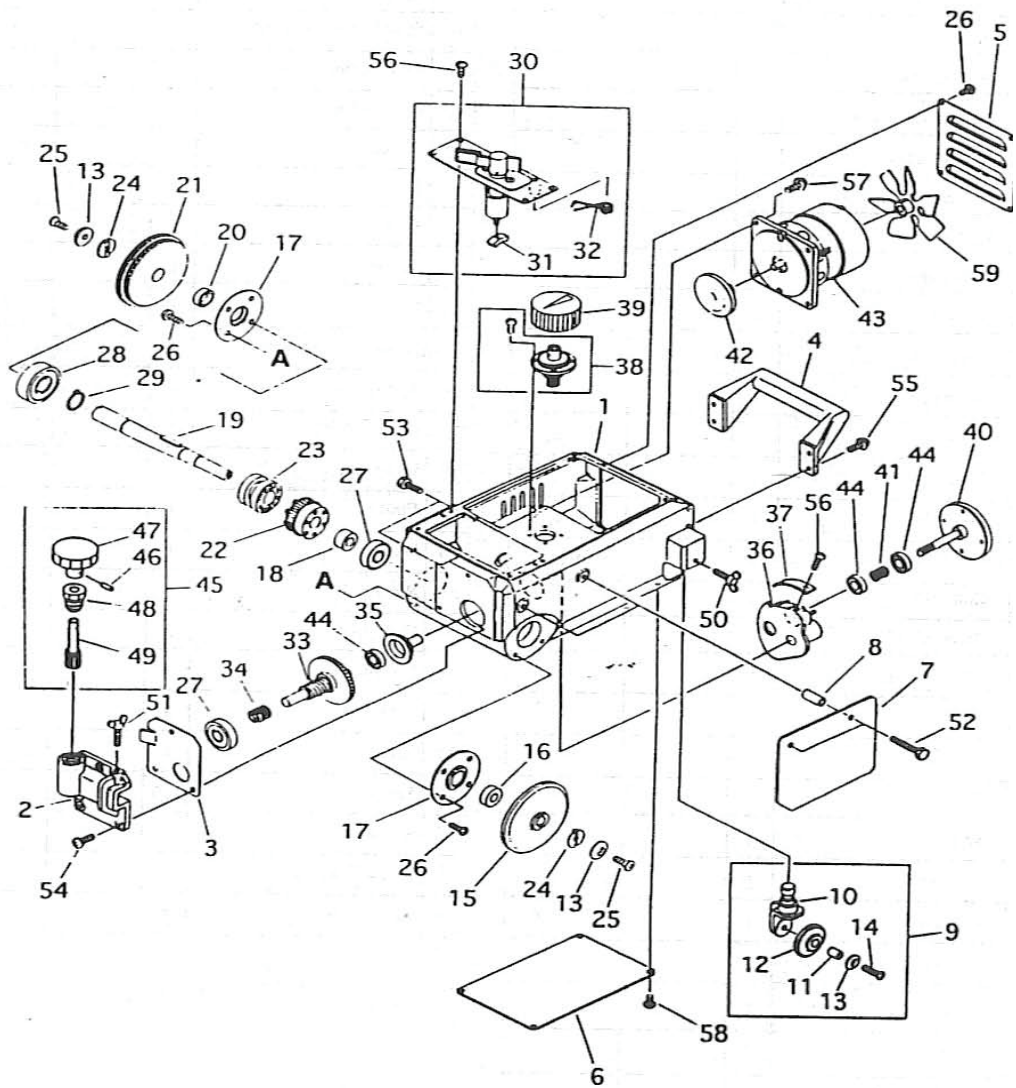
For all persons who will be involved in the operation and main supervision of the SWP Straight Line Cutter. Please read and understand this manual BEFORE undertaking any work using the machine to ensure you receive the maximum operation output.

7. PARTS LIST

7.1 MAIN UNITS

10 Parts list

10.1 Main units



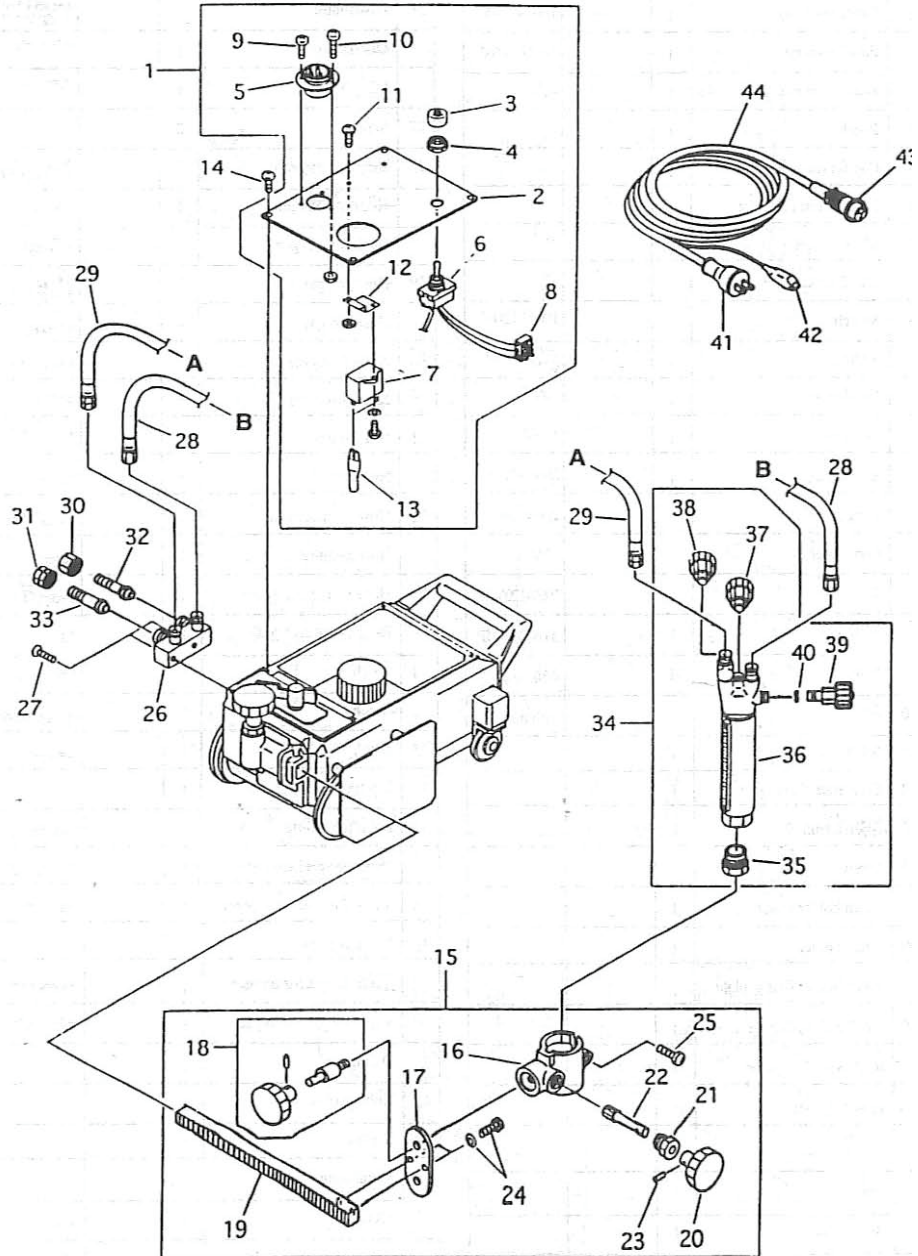
7.1 MAIN UNITS

ITEM NO	PART NAME	QTY	REMARKS	SWP code
1	Case	1		
2	Cross feed holder	1		W111
3	Cross feed liner	1		
4	Handle	1		
5	Fan cover	1		
6	Bottom plate	1		
7	Heat shield	1		
8	Heat shield collar	2		
9	Idle wheel unit	1		W101
10	Idle wheel bracket	1		
11	Roller shaft	1		
12	Roller shaft	1		
13	Washer	1		
14	Screw	1		
15	Idle wheel	1		
16	Collar (A)	1		
17	Bearing retainer	2		
18	Collar (B)	1		
19	Drive wheel shaft	1	With key	
20	Collar (C)	1		
21	Drive wheel	1		
22	Worm wheel	1		
23	Clutch	1		
24	Washer	2		
25	Screw	2		
26	Screw	2		
27	Bearing	2		
28	Bearing	1		
29	Stop ring	1		
30	Clutch lever assembly	1		W117
31	Slider	1		
32	Clutch spring	1		W22
33	Worm shaft assembly	1		W24
34	Worm spring	1		
35	Speed adjusting shaft	1		
36	Speed adjusting bracket	1		W34
37	Rack	1		
38	Speed adjusting handle	1		W28
39	Speed adjusting knob	1		W29
40	Speed adjusting cone assembly	1		W23
41	Cone spring	1		

ITEM NO	PART NAME	QTY	REMARKS	SWP code
42	Motor disk	1		W25
43	Motor	1		W102
	Motor	1		
	Motor	1		
	Motor	1		
44	Bearing	1		
45	Cross feed pinion unit	1		
46	Spring pin	1		
47	Handle (Ø 40)	1		
48	Pinion collar	1		
49	Pinion	1		
50	Wing bolt	1		
51	Wing bolt	1		
52	Hexagon bolt	2		
53	Screw	2		
54	Screw	3		
55	Screw	4	With spring washer	
56	Screw	10		
57	Screw	4		
58	Screw	8		
59	Motor fan	1	With screw	

7.2 ELECTRICAL, GAS AND TORCH SLIDE HOLDER UNITS

10.2 Electrical, gas and torch slide holder units



7.2 ELECTRICAL, GAS AND TORCH SLIDE HOLDER UNITS

ITEM NO	PART NAME	QTY	REMARKS	SWP code
1	Panel assembly	1	100V-240V	
	Panel assembly	1	200V-240V	
	Panel assembly	1	42V	
2	Panel	1		W27
3	Cap for dust protector	1		
4	Nut for dust protector	1		
5	Metal socket	1	3P	
	Metal socket	1	4P	
6	Switch	1	100V-120V	
	Switch	1	200V-240V	
			42V	
7	Condenser	1	100V	
	Condenser	1	120V	W119
	Condenser	1	200V-220V	
	Condenser	1	230V-240V	
	Condenser	1	42V	
8	Terminal	1	100V-120V 3P	
	Terminal	1	200V-240V 4P	
9	Screw	2	With nut	
10	Screw	1	With nut	
11	Screw	2		
12	Condenser fixing plate	1		
13	Terminal	2		
14	Screw	4		
15	Torch holder assembly	1		W105
16	Torch holder	1		
17	Torch holder fixing plate	1		
18	Holder fixing handle	1		
19	Rack bar	1		W107
20	Handle (Ø 40)	1		
21	Pinion metal	1		
22	Pinion	1		
23	Spring pin	1		
24	Hexagon bolt	2	With WS	
25	Screw	1		
26	Gas Distributor	1		W30
27	Screw	2		
28	Hose for oxygen	1		W108
29	Hose for gas	1		W109
30	Nut for oxygen	1		
ITEM NO	PART NAME	QTY	REMARKS	SWP code
31	Nut for gas	1		
32	Hose connector (ox)	1		
33	Hose connector (gas)	1		
34	Torch	1		W104
35	Torch	1		W19
36	Tip fixing nut	1		
37	Rack for beetle	1	With screw	W31
38	Valve for preheat oxygen	1		W32
39	Valve for gas	1		W18
40	Valve for jet oxygen	1		
41	O-ring	1		
42	Rubber plug	1		
43	Earth clip	1		
	Metal plug	1	4P	
	Metal plug	1	4P	
44	Cabtyre cord assembly	1	4P	W103
	Cabtyre cord assembly	1	4P	