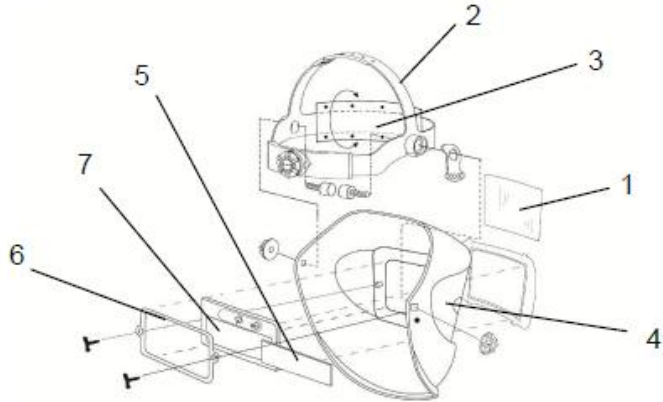


<b>CUSTOMER DATA SHEET JACKSON SAFETY WH50</b> MULTIVIEW WELDING PAPR "S" HELMET Countries sold into: EMEA CDS No: J5012, J5022	Status:	<b>On Sale</b>
	Date:	<b>Feb 2012</b>
	Version:	1
	Replaces:	N/A

**FINISHED PRODUCT**

J5012: WH50 Multiview Welding PAPR Helmet "S" Carbon  
 J5022: WH50 Multiview Welding PAPR Helmet "S" Carbon 4/9-13 SM INT ADF



EC compliance mark:



DIN EN 166: 2002-04  
 DIN EN 169: 2003-02  
 DIN EN 175: 1997-08  
 DIN EN 379: 2009-07 (J5022 only)  
 DIN EN 12941: 2009

Suitable welding type applications:



**Instructions for use:** Enclosed with each case

J5012 provided without a welding filter for the customer to choose from a range of Jackson Safety\* filters.

List of spare parts available for extended life time use:

1	J8338	Outer protective lens 89 x 142 mm
2	J5260	Welding PAPR head gear with air duct
3	J5462	Welding PAPR sweat band
4	J8358	WH50 Multiview side window right & left (blank)
5	J8303	Inner protective lens 109 x 66 mm (code J5022 only)
6	J8345	Lens retainer SM variable ADF
6	J8344	Lens retainer TN variable ADF (code J5012 only)
7	J8162	WF40 SM 4/9-12 INT ADF
7	J8187	WF40 4/9-13 TN EXT ADF (code J5012)
7	J8142	WF30 4/9-12 SM INT ADF (for code J5012)
Not shown	J5452	PAPR WH50 Multiview face seal

- "S" system for extended respiratory protection during the welding tasks, tested and certified to work only with the Jackson Safety\* R60 Airmax blower unit (J5200)
- TH2 P classification according to DIN EN 12941: 2009
- Face seal made of flame resistant Proban\* material
- Over the head air duct for better weight distribution
- Provided with IRUV DIN5 side windows for widened peripheral vision and increased awareness
- Provided with KCP-exclusive SM technology 4/9-13 ADF with internal (INT) controls, typical switching speed (at 55oC): 0.04ms
- ADF fitted with two sensors and sensitivity and delay adjustment for fine tuning according to the light conditions
- Fitted with comfort head gear and sweat band

**PACKAGING**

<b>Case count:</b> 1 complete unit per case <b>Case size L x W x H:</b> 374 x 234 x 265mm (ED)	<b>Net (Gross) case weight:</b> J5012: 950 (1150)g J5022: 1100 (1300)g
---	--

**IMPORTANT NOTE**

This data was generated from samples which were taken to be typical of standard product. The data is given for information only and considered valid at the time of publication. Additional information can be supplied on request. Always review the instructions provided with each PPE device before assembly and use.