

# Heavy Duty Air Tools

The air tools in this section have been categorised into three distinctive levels for user convenience (for reference only).



Easy to handle tasks quickly, these tools offer **efficiency and performance**.



These tools provide high torque **strength**, superior grinding power and superior cutting energy.



Built to last and low failure rate are characteristics associated with these **endurance** tools.

Application icons have been designed to provide visual references that suggest industry specific features or usability (for reference only).

 **Automotive**

 **Motorcycle**

 **Agriculture**

 **Boat**

 **Industry**



## NC-3610Q

### 3/8" Drive Air Impact Wrench

#### Jumbo Hammer Type

Air inlet: 1/4"

- Durable Pin Clutch impact mechanism
- Low noise, stable and smooth torque output during operation
- Exceptional durability, easy to maintain
- Front exhaust
- Three setting air regulator on handle



## NC-3210

### 3/8" Drive Air Impact Wrench

#### Twin Hammer Type

Air inlet: 1/4"

- Durable Twin Hammer impact mechanism
- Compact – ideal for confined working environment
- Low noise and lightweight – only 1.5 kg
- Strong and powerful – maximum torque 474 Nm



## NC-3810

### 3/8" Drive Air Impact Wrench

#### Twin Dog Type

Air inlet: 1/4"

- Durable Twin Dog impact mechanism
- Butterfly type forward/reverse trigger
- Adjustable 3-speed regulator
- 180° air inlet
- Ideal for small engine maintenance assembly



## NC-4630Q

### 1/2" Drive Air Impact Wrench

#### Jumbo Hammer Type

Air inlet: 1/4"

- Compact Jumbo Hammer – just 97mm long and 1.5 kg weight
- Powerful yet compact
- Reaches 610 Nm in just 5 seconds
- Low noise sound level of 85 dBA
- Suited to narrow work places and general heavy-duty maintenance



Part No.	Square Drive inch	Bolt Capacity inch (mm)	Torque Range ft-lb (Nm)	Max Torque ft-lb (Nm)	Free Speed RPM	Average Air Consumption CFM (l/min)	Air Pressure PSI (Bar)	Overall Length inch (mm)	Net Weight lbs (kg)	Air Hose inch	Sound Pressure dBA	Vibration Level m/s <sup>2</sup>
<b>NC-3610Q</b>	3/8	1/2 (13)	100-300 (136-407)	350 (474)	8000	4.4 (124)	90 (6.3)	49/16 (115.5)	3.3 (1.50)	3/8	85.0	2.8
<b>NC-3210</b>	3/8	1/2 (13)	100-30 (136-407)	350 (474)	10000	4.0 (113)	90 (6.3)	55/8 (142)	3.3 (1.50)	3/8	92.1	3.6
<b>NC-3810</b>	3/8	3/8 (10)	5-50 (7-68)	75 (102)	11000	2.3 (65)	90 (6.3)	515/32 (139)	1.1 (0.50)	3/8	91.0	3.6
<b>NC-4630Q</b>	1/2	5/8 (16)	200-350 (271-475)	450 (610)	9000	4.4 (124)	90 (6.3)	327/32 (97)	3.3 (1.50)	3/8	85.0	2.8



## NC-4650H

### 1/2" Drive Air Impact Wrench

#### Jumbo Hammer Type

Air inlet: 1/4"

- Ergonomic design
- Lightweight – 1.4kg
- Excellent max torque – 900 Nm (650 ft-lb)
- Mini type with overall length 104mm
- Ultra light and easy to use



E Z GREASE



## NC-4130Q

### 1/2" Drive Air Impact Wrench

#### Pin Clutch Type

Air inlet: 3/8"

- Low vibration
- Clutch delivers smooth and comfortable operation
- Compact and ergonomic design with rubber grip
- Ultra light and easy use
- One-handed reverse button with 3 positive power settings
- Versatile tool ideal for all general repairs and maintenance



## NC-4255QH

### 1/2" Drive Air Impact Wrench

#### Twin Hammer Type

Air inlet: 1/4"

- **Composite Material**
- Durable Twin Hammer impact mechanism
- Lightweight composite material body – just 2 kg
- Multi-function lever switch – controls both direction and speed precisely
- Integrated cylinder and rear end plate for stable output
- Ergonomic composite handle designed for operator comfort



E Z GREASE



## NC-4238

### 1/2" Drive Air Impact Wrench

#### Twin Hammer Type

Air inlet: 1/4"

- Economical
- Durable



Part No.	Square Drive inch	Bolt Capacity inch (mm)	Torque Range ft-lb (Nm)	Max Torque ft-lb (Nm)	Free Speed RPM	Average Air Consumption CFM (l/min)	Air Pressure PSI (Bar)	Overall Length inch (mm)	Net Weight lbs (kg)	Air Hose inch	Sound Pressure dBA	Vibration Level m/s <sup>2</sup>
<b>NC-4650H</b>	1/2	5/8 (16)	150-350 (203-475)	400 (542)	10000	4.2 (119)	90 (6.3)	5 <sup>5</sup> / <sub>8</sub> (142)	3.5 (1.60)	3/8	90.6	2.8
<b>NC-4130Q</b>	1/2	1 <sup>3</sup> / <sub>8</sub> (35)	180-400 (244-542)	400 (542)	8000	4.3 (121)	90 (6.3)	5 <sup>5</sup> / <sub>8</sub> (142)	3.5 (1.60)	3/8	85.0	1.3
<b>NC-4255QH</b>	1/2	1 (25)	200-800 (271-1085)	1200 (1627)	8500	4.8 (136)	90 (6.3)	7 <sup>1</sup> / <sub>32</sub> (179)	3.7 (1.70)	3/8	85.0	4.7
<b>NC-4238</b>	1/2	5/8 (16)	150-300 (203-434)	400 (542)	7500	4.2 (119)	90 (6.3)	7 <sup>1</sup> / <sub>4</sub> (184)	6.1 (2.50)	3/8	93.2	4.4



## NC-4299Q

1/2" Drive  
Air Impact  
Wrench

Twin Hammer Type

Air inlet: 1/4"

- Twin hammer structure provides greater and stable torque output also reduces vibration
- 360° swivel air inlet prevent s entanglement of the air hose
- Product with 3-stage forward rotation adjustment and 1-stage full power reverse



## NC-4277Q

1/2" Drive  
Air Impact  
Wrench

Twin Hammer Type

Air inlet: 1/4"

- Aluminium body
- Light weight
- Maximum torque 1564 Nm



## NC-6255Q

3/4" Drive  
Air Impact  
Wrench

Twin Hammer Type

Air inlet: 3/8"

- **Composite Material**
- Durable Twin Hammer impact mechanism increases durability and efficiency
- Powerful torque output –1627 Nm reduces trigger time
- Forward / Reverse and speed can be controlled simultaneously with multi-function switch
- Handle exhaust efficiently reduces noise and directs air away from the working area



Part No.	Square Drive inch	Bolt Capacity inch (mm)	Torque Range ft-lb (Nm)	Max Torque ft-lb (Nm)	Free Speed RPM	Average Air Consumption CFM (l/min)	Air Pressure PSI (Bar)	Overall Length inch (mm)	Net Weight lbs (kg)	Air Hose inch	Sound Pressure dBA	Vibration Level m/s <sup>2</sup>
NC-4299Q	1/2	3/4 (19)	150-500 (204-680)	800 (1088)	8500	4.0 (113)	90 (6.3)	7 1/2 (194)	4.6 (2.10)	3/8	85.0	3.2
NC-4277Q	1/2	1 (25.4)	200-800 (272-1088)	1150 (1564)	8500	4.8 (136)	90 (6.3)	6.0 (155)	4.4 (2.00)	3/8	85.0	4.5
NC-6255Q	3/4	1 (25.4)	200-1100 (271-1491)	1400 (1890)	8500	4.8 (136)	90 (6.3)	7 13/16 (198)	4.2 (1.90)	3/8	85.0	4.7



## NC-6256Q

3/4" Drive  
Air Impact  
Wrench

Twin Hammer Type

Air inlet: 1/4"

- Super Mini 3/4" drive air impact wrench
- 1200 ft-lb Torque
- The front housing and back head cover made by magnesium alloy



## NC-6266

3/4" Drive  
Air Impact  
Wrench

Twin Hammer Type

Air inlet: 3/8"

- Twin Hammer impact mechanism for increased durability and efficiency
- Torque can be generated instantly
- Handle exhaust efficiently reduces noise and directs air away from the working area



## NC-6216

3/4" Drive  
Air Impact  
Wrench

Twin Hammer Type

Air inlet: 3/8"

- **Composite Material**
- Twin Hammer impact mechanism
- 360° integrated air inlet swivel
- Powerful torque output – 1627 Nm reduces trigger time
- Forward / Reverse and speed can be controlled simultaneously with multi-function switch



## NC-6236Q

3/4" Drive  
Air Impact  
Wrench

Twin Hammer Type

Air inlet: 1/4"

- Durable Twin Hammer impact mechanism
- 3/4" anvil with reduced compact body
- Ultimate power reaches 1627 Nm in under 5 seconds
- Does the toughest job efficiently with industrial level quality and durability



Part No.	Square Drive inch	Bolt Capacity inch (mm)	Torque Range ft-lb (Nm)	Max Torque ft-lb (Nm)	Free Speed RPM	Average Air Consumption CFM (l/min)	Air Pressure PSI (Bar)	Overall Length inch (mm)	Net Weight lbs (kg)	Air Hose inch	Sound Pressure dBA	Vibration Level m/s <sup>2</sup>
NC-6256Q	3/4	7/8 (23)	150-900 (203-1220)	1200 (1627)	7000	5.1 (144)	90 (6.3)	5 <sup>11</sup> / <sub>16</sub> (145)	4.18 (1.9)	3/8	85.0	2.8
NC-6266	3/4	1 (25)	200-1300 (271-1760)	1500 (2034)	6000	6.0 (170)	90 (6.3)	8 <sup>1</sup> / <sub>16</sub> (205)	6.5 (2.95)	3/8	88.0	5.9
NC-6216	3/4	1 <sup>1</sup> / <sub>16</sub> (27)	200-1000 (271-1356)	1200 (1627)	6000	6.0 (170)	90 (6.3)	9 <sup>1</sup> / <sub>4</sub> (235)	9.0 (4.10)	1/2	91.2	5.0
NC-6236Q	3/4	1 (25)	200-900 (271-1220)	1200 (1627)	7500	5.5 (155)	90 (6.3)	6 <sup>4</sup> / <sub>64</sub> (171)	5.9 (2.68)	3/8	87.0	4.5





## NC-8237

### 1" Drive Air Impact Wrench

Twin Hammer Type

Air inlet: 3/8"

- **Composite Material**
- Durable Twin Hammer impact mechanism increases durability and efficiency
- 1" anvil with compact body
- 360° integrated air inlet swivel
- Powerful torque output – 1762 Nm reduces trigger time
- Forward / Reverse and speed can be controlled simultaneously with multi-function switch



## NC-8266P

### 1" Drive Air Impact Wrench

Twin Hammer Type

Air inlet: 1/2"

- Light weight in 5.9 kg/13 lb
- 2300ft-lb /3118 Nm in 5 seconds reverse direction
- Durability composite material



- NC-8266P-6 fitted with 6" extended anvil

Part No.	Square Drive inch	Bolt Capacity inch (mm)	Torque Range ft-lb (Nm)	Max Torque ft-lb (Nm)	Free Speed RPM	Average Air Consumption CFM (l/min)	Air Pressure PSI (Bar)	Overall Length inch (mm)	Net Weight lbs (kg)	Air Hose inch	Sound Pressure dBA	Vibration Level m/s <sup>2</sup>
<b>NC-8237</b>	1	1 3/8 (35)	200-1500 (271-2034)	1800 (2441)	4500	5.4 (153)	90 (6.3)	8 3/4 (222)	12.8 (5.7)	1/2	92.0	6.1
<b>NC-8266P</b>	1	1 3/8 (35)	200-2000 (271-2711)	2300 (3118)	4500	9.0 (255)	90 (6.3)	10 (256)	13 (5.9)	1/2	92.0	6.1



## NC-8266S-6

### 1" Drive Air Impact Wrench

Twin Hammer Type

Air inlet: 1/2"



- Unique design
- Front housing formed with magnesium material
- Efficiency output spring blade
- One finger switch
- 2300FT-LB in 5 seconds



## NC-8322 / NC-8342

### 1" Drive Air Impact Wrench

Pinless Type

Air inlet: 1/2"



- Durable Pinless Clutch impact mechanism
- Standard anvil (NC-8322) or 8" extended anvil (NC-8342)
- Reaches max torque within 3 seconds
- Multi setting air regulator for complete control
- Excellent for high volume work on HGV's, buses and heavy construction equipment



## NC-8343-8

### 1" Drive Air Impact Wrench

Pinless Type

Air inlet: 1/2"



- Designed up exhaust
- Low vibration for a smooth operation
- Powerful and durable

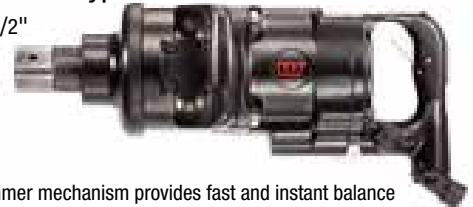


## NC-9223

### 1 1/2" Drive Air Impact Wrench

Twin Hammer Type

Air inlet: 1/2"



- Twin Hammer mechanism provides fast and instant balance torque output
- Break loose a frozen or rusted bolt easily
- Common applications include energy and gas maintenance and manufacturing

Part No.	Square Drive inch	Bolt Capacity inch (mm)	Torque Range ft-lb (Nm)	Max Torque ft-lb (Nm)	Free Speed RPM	Average Air Consumption CFM (l/min)	Air Pressure PSI (Bar)	Overall Length inch (mm)	Net Weight lbs (kg)	Air Hose inch	Sound Pressure dBA	Vibration Level m/s <sup>2</sup>
<b>NC-8266S-6</b>	1	1 3/8 (35)	200-1800 (272-2448)	2300 (3118)	4500	7.5 (212)	90 (6.3)	22 3/4 (580)	15.84 (6.0)	1/2	92.0	6.1
<b>NC-8322</b>	1	1 7/16 (36)	200-2000 (271-2711)	2500 (3390)	3300	11.0 (311)	90 (6.3)	17 5/16 (440)	34.2 (15.5)	1/2	93.9	8.8
<b>NC-8342</b>	1	1 7/16 (36)	200-2000 (271-2711)	2500 (3390)	3300	11.0 (311)	90 (6.3)	24 3/8 (619)	38.0 (17.3)	1/2	93.9	8.8
<b>NC-8343-8</b>	1	1 3/8 (35)	200-1600 (271-2170)	1800 (2441)	3900	11.5 (325)	90 (6.3)	23 (590)	30.6 (13.9)	1/2	103	6.3
<b>NC-9223</b>	1 1/2	2 (50)	200-3000 (271-4065)	3500 (4746)	3000	16.0 (453)	90 (6.3)	17 3/4 (450)	42.2 (19.7)	3/4	104.5	8.8



## NC-4650K

### 1/2" Drive Air Impact Wrench – 11 pieces

Air inlet: 1/4"

- 1 x NC4650 1/2" Air Impact Wrench
- 1 x MA411M13, 17, 19, 21, 22, 24 and 27 mm Sockets
- 1 x 5" Extension Bar
- 1 x Mini Lubricator SW-12
- 1 x 1/4" Plug



## NC-6255QK

### 3/4" Drive Air Impact Wrench – 11 pieces

Air inlet: 1/4"

- 1 x NC6255Q 3/4" Air Impact Wrench
- 1 x MA611M24, 27, 30, 32, 33, 34 and 36 mm Sockets
- 1 x 7" Extension Bar
- 1 x Mini Lubricator SW-12
- 1 x 1/4" Plug



Part No.	Square Drive inch	Bolt Capacity inch (mm)	Torque Range ft-lb (Nm)	Max Torque ft-lb (Nm)	Free Speed RPM	Average Air Consumption CFM (l/min)	Air Pressure PSI (Bar)	Overall Length inch (mm)	Net Weight lbs (kg)	Air Hose inch	Sound Pressure dBA	Vibration Level m/s <sup>2</sup>
<b>NC-4650K</b>	1/2	5/8 (16)	180-400 (244-542)	650 (900)	9000	4.7 (133)	90 (6.3)	41 <sup>1</sup> / <sub>16</sub> (104)	3.3 (1.4)	3/8	95.0	2.4
<b>NC-6255Q</b>	3/4	1 (25)	200-1100 (271-1491)	1400 (1890)	8500	4.8 (136)	90 (6.3)	71 <sup>3</sup> / <sub>16</sub> (198)	4.2 (1.9)	3/8	85.0	4.7





## NC-4255QK

1/2" Drive Air Impact Wrench –  
11 pieces

Twin Hammer Type

Air inlet: 1/4"

- 1 x NC-4255Q 1/2" Air Impact Wrench
- 7 x Impact Sockets  
MA411M13, 17, 19, 21, 22, 24 and 27
- 1 x 5" Extension Bar
- 1 x Mini Lubricator
- 1 x 1/4" Plug



## NC-6236QK

3/4" Drive Air Impact Wrench –  
11 pieces

Air inlet: 1/4"

- 1 x NC6236Q 3/4" Air Impact Wrench
- 1 x MA611M24, 27, 30, 32, 33, 34 and 36 mm Sockets
- 1 x 7" Extension Bar
- 1 x Mini Lubricator SW-12
- 1 x 1/4" Plug



Part No.	Square Drive inch	Bolt Capacity inch (mm)	Torque Range ft-lb (Nm)	Max Torque ft-lb (Nm)	Free Speed RPM	Average Air Consumption CFM (l/min)	Air Pressure PSI (Bar)	Overall Length inch (mm)	Net Weight lbs (kg)	Air Hose inch	Sound Pressure dBA	Vibration Level m/s <sup>2</sup>
<b>NC-4255QK</b>	1/2	1 (25)	200-800 (271-1085)	1200 (1627)	8500	4.8 (136)	90 (6.3)	7 1/32 (179)	3.7 (1.70)	3/8	85.0	4.7
<b>NC-6236QK</b>	3/4	1 (25)	200-900 (271-1220)	1200 (1627)	7500	5.5 (155)	90 (6.3)	6 45/64 (171)	5.9 (2.68)	3/8	83.0	4.5



## NE-261 / NE-361

### 1/4" Drive & 3/8" Drive Air Ratchet Wrench

Air inlet: 1/4"



- Back exhaust design to reduce flying dusts
- NE-361 with 3/8" square drive
- NE-362 with dual-use square drive
- 160mm long suitable for narrow space



## NE-321 / NE-421

### 3/8" Drive & 1/2" Drive Air Ratchet Wrench

Air inlet: 1/4"



- NE-321 – 3/8" Drive / NE-421 – 1/2" Drive
- High speed revolution (RPM) allows for fast positioning
- Compact and lightweight – ideal for confined working environments
- Ultimate torque: 50 ft-lbs (68 Nm)



## NE-251R / NE-351R

### 1/4" Drive & 3/8" Drive Stubby Air Ratchet Wrench

Air inlet: 1/4"



- NE-251R – 1/4" Drive / NE-351R – 3/8" Drive
- Ratchet head has easy to use Forward / Reverse valve
- Common applications include body shop repair, small engine and under-the-dashboard work



## NE-462

### 1/2" Drive – Pin Clutch Type Air Ratchet Wrench

Air inlet: 1/4"



- Pin-clutch designed mechanism generates 100 Nm torque output
- Fasten-to-Stop design provides comfortable feel

Part No.	Square Drive inch	Torque Range ft-lb (Nm)	Max Torque ft-lb (Nm)	Free Speed RPM	Average Air Consumption CFM (l/min)	Air Pressure PSI (Bar)	Overall Length inch (mm)	Net Weight lbs (kg)	Air Hose inch	Sound Pressure dBA	Vibration Level m/s <sup>2</sup>
<b>NE-261</b>	1/4	10-35 (13.5-47)	37 (50)	230	4.6 (130)	90 (6.3)	6 <sup>5</sup> / <sub>16</sub> (160)	1.1 (0.5)	3/8	88.0	3.0
<b>NE-361</b>	3/8	10-35 (13.5-47)	37 (50)	230	4.6 (130)	90 (6.3)	6 <sup>5</sup> / <sub>16</sub> (160)	1.1 (0.5)	3/8	88.0	3.0
<b>NE-321</b>	3/8	10-35 (13.5-47)	50 (68)	160	4.0 (113)	90 (6.3)	10 <sup>3</sup> / <sub>8</sub> (265)	2.3 (1.04)	3/8	91.0	3.9
<b>NE-421</b>	1/2	10-35 (13.5-47)	50 (68)	160	4.0 (113)	90 (6.3)	10 <sup>3</sup> / <sub>8</sub> (265)	2.3 (1.04)	3/8	92.9	4.6
<b>NE-251R</b>	1/4	5-15 (6.7-20)	22 (30)	350	3.0 (85)	90 (6.3)	5 (125)	1.1 (0.50)	3/8	89.0	4.4
<b>NE-351R</b>	3/8	5-15 (6.7-20)	22 (30)	350	3.0 (85)	90 (6.3)	5 (125)	1.1 (0.50)	3/8	89.0	4.4
<b>NE-462</b>	1/2	10-55 (13.5-74)	74 (100)	200	4.0 (113)	90 (6.3)	13 (330)	4.1 (1.88)	3/8	84.0	2.5



## NE-0357

### 3/8" Drive Air Ratchet Wrench Kit – 57 pieces

Air inlet: 1/4"

- 1 x NE-352
- 7 x 1/4" Drive Sockets: 4,5,6,7,8,9,10 mm
- 6 x 3/8" Drive Sockets: 11,12,13,14,15,17 mm
- 40 x 1/4" Bits
- 1 x 3/8" Extension Bar
- 1 x 1/4" Hex Size Shank Driver
- 1 x Plug (Adaptor)

- High speed revolution (RPM) allows for fast positioning
- Compact and lightweight – ideal for confined working environments
- 57 piece kit in a convenient blow moulded case



## NE-0413

### 1/2" Drive Thru-Hole Air Ratchet Wrench Kit – 13 pieces

Air inlet: 1/4"

- 1 x NE-461
- 8 x 3/4" Hex Thru-Hole Sockets: 8,9,10,12,13,14,17, 19 mm (NE-0413)
- 1 x 3" Extension Bar
- 2 x Adaptors – 3/8" & 1/2"
- 1 x Plug (Adaptor)

- Unique Thru-Hole design
- Ideal for threaded bar assemblies
- Convenient forward and reverse tab
- Composite grip
- 3-in-1 design – 3/8"-1/2" Thru-Hole



Part No.	Square Drive inch	Torque Range ft-lb (Nm)	Max Torque ft-lb (Nm)	Free Speed RPM	Average Air Consumption CFM (l/min)	Air Pressure PSI (Bar)	Overall Length inch (mm)	Net Weight lbs (kg)	Air Hose inch	Sound Pressure dBA	Vibration Level m/s <sup>2</sup>
NE-352	3/8	5-15 (6.7-20)	22 (30)	350	3.0 (85)	90 (6.3)	5 (125)	1.1 (0.50)	3/8	89.0	4.4
NE-461	1/2	10-65 (13.5-88)	100 (135)	180	4.0 (113)	90 (6.3)	10 3/8 (270)	2.6 (1.20)	3/8	83.0	2.3

# Air Angle Impact Wrench



## NC-498

### 1/2" Drive Air Angle Impact Wrench

#### Jumbo Hammer Type

Air inlet: 1/4"

- Compared with geared angle impact, the gearless angle impact reduces vibration and increases torque output
- Easy access in confined work spaces, short and stubby at 88 x 245 mm
- Low reaction force
- One handed Forward/Reverse operation – 3 positions in forward and 1 in reverse



Part No.	Square Drive inch	Bolt Capacity inch (mm)	Torque Range ft-lb (Nm)	Max Torque ft-lb (Nm)	Free Speed RPM	Average Air Consumption CFM (l/min)	Air Pressure PSI (Bar)	Overall Length inch (mm)	Net Weight lbs (kg)	Air Hose inch	Sound Pressure dBA	Vibration Level m/s <sup>2</sup>
<b>NC-498</b>	1/2	5/8 (16)	80-300 (108-405)	400 (542)	6500	4.2 (119)	90 (6.3)	9 3/4 (247)	3.0 (1.37)	3/8	85.0	2.0



## QA-111A Metric / QA-111B Imperial Air Die Grinder

Air inlet: 1/4"



- High speed
- Handy, ergonomic design provides excellent manoeuvrability
- Speed regulator allows precise speed control



## QA-211A Metric / QA-211B Imperial Air Die Grinder

Air inlet: 1/4"



- High speed
- Handy, ergonomic design provides excellent manoeuvrability
- 0.9 hp high power motor efficiently handles the toughest jobs



## QA-313A Metric / QA-313B Imperial Air Die Grinder

Air inlet: 1/4"



- Handy, ergonomic design provides excellent manoeuvrability
- Speed regulator allows precise speed control
- Equipped with 3" extended working shaft



## QA-315A Metric / QA-315B Imperial Air Die Grinder

Air inlet: 1/4"



- Handy, ergonomic design provides excellent manoeuvrability
- Speed regulator allows precise speed control
- Equipped with 5" extended working shaft

Part No.	Collet Drive A mm	Collet Range B inch	Free Speed RPM	Average Air Consumption CFM (l/min)	Air Pressure PSI (Bar)	Overall Length inch (mm)	Motor HP	Net Weight lbs (kg)	Air Hose inch	Sound Pressure dBA	Vibration Level m/s <sup>2</sup>
<b>QA-111</b>	6 & 3	1/4 & 1/8	25000	10.0 (283)	90 (6.3)	6 (155)	0.3	0.80 (0.38)	3/8	81.5	1.8
<b>QA-211</b>	6 & 3	1/4 & 1/8	20000	10.0 (283)	90 (6.3)	7 1/2 (190)	0.9	1.40 (0.65)	3/8	75.7	0.8
<b>QA-313</b>	6 & 3	1/4 & 1/8	25000	10.0 (283)	90 (6.3)	9 1/4 (235)	0.3	1.20 (0.58)	3/8	81.5	1.8
<b>QA-315</b>	6 & 3	1/4 & 1/8	25000	10.0 (283)	90 (6.3)	11 (280)	0.3	1.39 (0.63)	3/8	81.5	1.8





## QA-141LA Metric Air Die Grinder

Air inlet: 1/4"



- Durable iron housing
- Front exhaust to clear work area
- High speed (24000 RPM)
- Ideal for the toughest working environments



## QA-611A Metric / QA-611B Imperial 90° Air Die Grinder



- Handy, ergonomic design provides excellent manoeuvrability
- 90° working angle provides wide flexibility in confined areas
- High speed (19000 RPM)



## QA-632QA Metric 97° Air Die Grinder

Air inlet: 1/4"



- 97° to improve operator comfort
- Inline air motor to improve durability
- High speed (22000 RPM)
- Composite grip
- Powerful 0.3 hp motor
- Low noise at only 75 dBA



## QB-812 Air Eraser

Air inlet: 1/4"



- Spindle size: 3/8"-24
- Low speed (4000 RPM)
- Composite grip
- Lever lock safety trigger
- Rear exhaust
- Ideal for low speed polishing, sanding and surface preparation

Part No.	Collet Drive A mm	Collet Range B inch	Free Speed RPM	Average Air Consumption CFM (l/min)	Air Pressure PSI (Bar)	Overall Length inch (mm)	Motor HP	Net Weight lbs (kg)	Air Hose inch	Sound Pressure dBA	Vibration Level m/s <sup>2</sup>
<b>QA-141LA</b>	6	-	24000	14.0 (396)	90 (6.3)	6 <sup>11</sup> / <sub>16</sub> (170)	0.4	1.30 (0.60)	3/8	75.0	2.5
<b>QA-611</b>	6 & 3	1/4 & 1/8	19000	10.0 (283)	90 (6.3)	6 <sup>1</sup> / <sub>8</sub> (160)	0.3	1.12 (0.51)	3/8	74.4	1.7
<b>QA-632QA</b>	6 & 3	-	22000	12.3 (350)	90 (6.3)	7 (177)	0.4	1.12 (0.51)	3/8	75.0	>2.5
<b>QB-812</b>	-	-	4000	10.0 (283)	90 (6.3)	8 <sup>7</sup> / <sub>8</sub> (225)	0.5	1.70 (0.80)	3/8	75.0	0.87

# Air Die Grinder kit / Micro Die Grinders



## QA-0215A/B

### 1/4" Air Die Grinder Kit – 15 pieces

Air inlet: 1/4"

- 1 x Air Die Grinder (QA-211A/B)
- 2 x Collets (3mm - 6mm or 1/8" - 1/4")
- 2 x Spanner Wrenches
- 5 x Grinder Stones (3mm or 1/8")
- 5 x Grinder Stones (6mm or 1/4")

#### GRINDER STONE SETS

**QB-9211** – 5 pieces    **QB-9213** – 5 pieces



	Collet Drive A mm	Collet Range B inch	Free Speed RPM	Average Air Consumption CFM (l/min)	Air Pressure PSI (Bar)	Overall Length inch (mm)	Motor HP	Net Weight lbs (kg)	Air Hose inch	Sound Pressure dBA	Vibration Level m/s <sup>2</sup>
<b>QA-211</b>	6 & 3	1/4 & 1/8	20000	10.0 (283)	90 (6.3)	7 1/2 (190)	0.9	1.40 (0.65)	3/8	75.7	0.8



## QA-421

### Micro Air Die Grinder

Air inlet: 1/4"



- Cushion handle grip provides non-slip surface
- Rust-free stainless steel front housing
- Ideal for machining dies, moulds or other restricted grinding applications

## QA-441

### Heavy Duty Micro Air Die Grinder

Air inlet: 1/4"



- Heavy duty 3mm pencil grinder
- Comfortable handle allows for smooth operation
- Rust-free stainless steel front housing
- Ideal for machining dies, moulds or other restricted grinding applications

## QA-511

### Micro Engraving Pen

Air inlet: 1/4"



- Comfortable handle allows for smooth operation
- Longer lifetime and lower vibration
- Rust-free stainless steel front housing

Part No.	Collet Size inch (mm)	Free Speed RPM	Blow Per Minute BPM	Average Air Consumption CFM (l/min)	Air Pressure PSI (Bar)	Overall Length inch (mm)	Hose Length mm	Net Weight lbs (kg)	Air Hose inch	Sound Pressure dBA	Vibration Level m/s <sup>2</sup>
<b>QA-421</b>	1/8 (3)	60000	-	2.7 (76)	90 (6.3)	6 (150)	1500	0.49 (0.22)	3/8	70.0	0.5
<b>QA-441</b>	1/8 (3)	60000	-	2.0 (56)	90 (6.3)	5 5/16 (135)	1500	0.40 (0.21)	3/8	71.0	1.0
<b>QA-511</b>	-	-	13000	1.0 (29)	90 (6.3)	5 1/2 (140)	1420	0.50 (0.23)	3/8	78.0	0.6

# Air Angle Grinders

Grinding discs not included – see Abrasive section



## QB-144X (4") / QB-145X (5")

### Air Angle Grinder

Roll Type Throttle

Air inlet: 1/4"



- Front exhaust
- Powerful 0.78 hp motor provides sufficient power for most grinding needs
- Strengthened alloy steel bevel gears dramatically improve performance and durability
- Comfortable ergonomic handle with non-slip grip



## QB-7145 (4 1/2") / QB-7115 (5")

### Air Angle Grinder

Lever Type Throttle

Air inlet: 1/4"



- 4 1/2" (115mm) or 5" (125mm)
- 1.3 hp motor for stall resistance
- One piece housing
- Heavy duty air cooled spiral gears and double bearings for durability
- 360° adjustable exhaust



## QB-124 (4") / QB-125 (5")

### Air Angle Grinder

Lever Type Throttle

Air inlet: 1/4"



- Powerful 0.8 hp motor provides sufficient power for most grinding requirements
- Composite material housing reduces the weight and improves comfort of operation



## QB-117 (7")

### Air Angle Grinder

Lever Type Throttle

Air inlet: 1/4"



- 7" (178mm)
- Powerful 1.0 hp motor provides plenty of power for rust and material removal
- Unique motor controller (governor) virtually eliminates over speed

Part No.	Pad Diameter inch (mm)	Spindle Size inch	Free Speed RPM	Average Air Consumption CFM (l/min)	Air Pressure PSI (Bar)	Overall Length inch (mm)	Motor HP	Net Weight lbs (kg)	Air Hose inch	Sound Pressure dBA	Vibration Level m/s <sup>2</sup>
<b>QB-144X</b>	4 (100)	M10x1.5	11000	6.0 (170)	90 (6.3)	9 (228)	0.78	4.0 (1.81)	3/8	87.8	1.2
<b>QB-145X</b>	5 (125)	M14x2.0	11000	6.0 (170)	90 (6.3)	8 7/8 (226)	0.78	4.0 (1.81)	3/8	87.8	1.2
<b>QB-7145</b>	4 1/2 (115)	M14x2.0	11000	4.2 (119)	90 (6.3)	9 1/8 (232)	1.30	4.0 (1.81)	3/8	90.0	1.2
<b>QB-7115</b>	5 (125)	M14x2.0	11000	4.2 (119)	90 (6.3)	9 1/8 (232)	1.30	4.0 (1.81)	3/8	90.0	1.2
<b>QB-124</b>	4 (100)	3/8-24	11000	6.0 (170)	90 (6.3)	9 (230)	0.80	3.8 (1.73)	3/8	85.7	1.2
<b>QB-125</b>	5 (125)	5/8-11	11000	6.0 (170)	90 (6.3)	9 (230)	0.80	3.9 (1.78)	3/8	87.0	1.2
<b>QB-117</b>	7 (178)	-	7000	9.0 (255)	90 (6.3)	13 1/2 (343)	1.0	7.1 (3.24)	1/2	89.7	1.0

# Air Angle Grinders

Grinding discs not included – see Abrasive section



**QB-179 (9")**  
Air Angle Vertical Grinder  
Lever Type Throttle  
Air inlet: 1/2"



- 9" (230mm)
- Specially coated body for improved durability
- Over run governor fitted
- 2 stage lever lock safety trigger
- Comfortable dual handle operation
- Powerful 3.8 hp motor design



**QB-197Q (7")**  
Air Vertical Grinder  
Lever Type Throttle  
Air inlet: 3/8"



- 7" (178mm)
- Under 80 dBA
- Dual handle to improve operator safety and comfort
- Powerful 2.2 hp motor
- Wide pneumatic spectrum – ideal for automotive or industrial applications

Part No.	Pad Diameter inch (mm)	Spindle Size inch	Free Speed RPM	Average Air Consumption CFM (l/min)	Air Pressure PSI (Bar)	Overall Length inch (mm)	Motor HP	Net Weight lbs (kg)	Air Hose inch	Sound Pressure dBA	Vibration Level m/s <sup>2</sup>
<b>QB-179</b>	9 (230)	5/8-11	6000	7.0 (198)	90 (6.3)	11 (279)	3.8	13.2 (6.0)	3/4	86.0	2.1
<b>QB-197Q</b>	7 (178)	5/8-11	7000	6.0 (170)	90 (6.3)	13 <sup>15</sup> /16 (353)	2.2	6.8 (3.1)	3/8	77.0	1.5



## QC-213

### Heavy Duty Air Cut-Off Tool

Wheel Size: 3" – Cutting Wheel Supplied

Air inlet: 1/4"



- 0.9 hp high power motor
- Casted aluminum housing for longer lifetime
- Excellent for cutting rusted bolts, nuts, motor exhaust clamps or hangers, sheet metal, fibreglass etc
- Supplied complete with cutting disc



## QC-234

### Heavy Duty 4" Air Cut-Off Tool

Cutting Wheel Supplied

Air inlet: 1/4"



- 0.9 hp high power motor efficiently handles the toughest jobs
- Excellent for cutting rusted bolts, nuts, motor exhaust clamps or hangers, sheet metal, fibreglass etc
- Supplied complete with cutting disc



## QC-253

### 3" Air Cut-Off Tool

Cutting Wheel Supplied

Air inlet: 1/4"



- 0.9 hp high power motor
- Casted aluminum housing for longer lifetime
- Excellent for cutting rusted bolts, nuts, motor exhaust clamps or hangers, sheet metal, fibreglass etc
- Supplied complete with cutting disc



## QC-254

### 4" Air Corner Cut-Off Tool

Cutting Wheel Supplied

Air inlet: 1/4"



- 0.9 hp high power motor
- Casted aluminum housing for longer lifetime
- Excellent for cutting rusted bolts, nuts, motor exhaust clamps or hangers, sheet metal, fibreglass etc
- Supplied complete with cutting disc



## QC-213-31 3" Cut-Off Disc

Part No.	Wheel Size inch (mm)	Free Speed RPM	Average Air Consumption CFM (l/min)	Air Pressure PSI (Bar)	Overall Length inch (mm)	Motor HP	Net Weight lbs (kg)	Air Hose inch	Sound Pressure dBA	Vibration Level m/s <sup>2</sup>
<b>QC-213</b>	3 (75)	20000	10.0 (283)	90 (6.3)	7 <sup>7</sup> / <sub>8</sub> (200)	0.9	1.9 (0.86)	3/8	80.2	10.8
<b>QC-234</b>	4 (100)	16000	10.0 (283)	90 (6.3)	14 (355)	0.9	3.5 (1.59)	3/8	85.0	5.0
<b>QC-253</b>	3 (75)	24000	4.0 (113)	90 (6.3)	8 (203)	0.6	1.7 (0.8)	3/8	91.0	1.2
<b>QC-254</b>	4 (100)	20000	5.0 (141)	90 (6.3)	8 <sup>1</sup> / <sub>8</sub> (206)	0.6	2.0 (0.9)	3/8	81.0	0.8





**QG-102**  
Air Shear  
Straight Type  
Air inlet: 1/4"



- Ideal for cutting sheet aluminum up to 1.5mm, steel up to 1.2mm and stainless steel up to 1.0mm
- Heat treated shear blades
- Common applications include cutting auto panels and sheet steel such as tin, steel and aluminium



**QG-202**  
Air Shear  
Pistol Type  
Air inlet: 1/4"



- Composite body and rubber handle offers non-slip grip
- Ideal for cutting sheet aluminum up to 1.5mm, steel up to 1.2mm and stainless steel up to 1.0mm
- Heat treated shear blades
- Common applications include cutting auto panels and sheet steel



**QG-103**  
Air Nibbler  
Air inlet: 1/4"



- Rear exhaust reduces noise level
- Ergonomic handle for user comfort
- Intergrated regulator for precise cutting
- Ideal for tin and aluminum up to 1.5mm



**PN-150**  
Air Punch & Flange Tool  
Air inlet: 1/4"



- 2-in-1 operation punch/flange tool
- 360° rotating head switches from punch to flange
- Powerful 5mm punch
- Ideal for panel and body work
- 1.6mm steel capacity

Part No.	Strokes Per Minute SPM	Average Air Consumption CFM (l/min)	Air Pressure PSI (Bar)	Overall Length inch (mm)	Net Weight lbs (kg)	Air Hose inch	Sound Pressure dBA	Vibration Level m/s <sup>2</sup>	Cut Capacity mm
<b>QG-102</b>	2600	6.0 (170)	90 (6.3)	10 (254)	2.2 (1.0)	3/8	85.8	2.4	1.2 (steel) – 1.6 (alum)
<b>QG-202</b>	2600	6.5 (184)	90 (6.3)	8 1/4 (210)	2.43 (1.1)	3/8	89.1	2.9	1.2 (steel) – 1.6 (alum)
<b>QG-103</b>	2600	3.0 (85)	90 (6.3)	7 3/5 (193)	2.2 (1.0)	3/8	88.0	2.8	1.2 (steel) – 1.6 (alum)

Part No.	Punch Diameter mm	Average Air Consumption CFM (l/min)	Air Pressure PSI (Bar)	Overall Length inch (mm)	Net Weight lbs (kg)	Air Hose inch	Sound Pressure dBA	Vibration Level m/s <sup>2</sup>	Cut Capacity mm
<b>PN-150</b>	5	40 (113)	90 (6.3)	10 (254)	2.5 (1.15)	3/8	62.0	0.1	1.6 (steel)



## QD-291N

### Air Saw Set – 22 pieces

Air inlet: 1/4"

- 1 x Air Saw Tool
- 6 x 24T Saw Blades
- 6 x 32T Saw Blades
- 2 x Allen Keys: 4mm, 3mm
- 1 x 1/4" 360° Swivel Adaptor
- 5 x File Set
- 1 x Mini Oiler 1/4"



- Quick change saw blade holder allows for easy blade replacement
- 5 piece file set and 12 saw blades included
- Adjustable guard/guide controls depth of cut precisely



## QD-501

### Air Saw – Gear Driven (3 in 1)

Air inlet: 1/4"



- Chuck connection for Air Saw / Sawzall Blade / File
- Sturdy Transmission not easily stripped due to external force
- Soft Rubber Hand Grip



## QD-221

### Air Saw with Hose

Air inlet: 1/4"



- Quick change saw blade holder allows for easy blade replacement
- 5 pieces file set and 2 saw blades included
- Adjustable guard/guide controls depth of cut precisely
- Excellent for cutting sheet aluminum, plastic and sheet metal up to 1.6mm
- 4 piece files available – order QD-906P



## QD-321

### Air Saw – Low Vibration

Air inlet: 1/4"



- Designed to reduce vibration
- Streamlined for improved operator ergonomics
- Increased stroke to raise work efficiency
- Specially processed cylinder for increased lifetime

## QD-501-53

### 24T Saw Blade

Bi-Metal Material



## QD-501-52

### 32T Saw Blade

Bi-Metal Material



Part No.	Strokes Length mm	Strokes Per Minute SPM	Collet Size mm	Average Air Consumption CFM (l/min)	Air Pressure PSI (Bar)	Overall Length inch (mm)	Net Weight lbs (kg)	Air Hose inch	Sound Pressure dBA	Vibration Level m/s <sup>2</sup>
<b>QD-291N</b>	10	9000	5.0	4.0 (113)	90 (6.3)	9 1/4 (235)	1.32 (0.6)	3/8	80.0	2.4
<b>QD-501</b>	10	7000	-	4.5 (127)	90 (6.3)	11 5/8 (296)	2.60 (1.2)	3/8	78.0	4.5
<b>QD-221</b>	10	5000	4.0	4.0 (113)	90 (6.3)	9 3/4 (250)	1.76 (0.8)	3/8	81.9	4.1
<b>QD-321</b>	14.5	11000	-	4.5 (127)	90 (6.3)	9 1/4 (235)	1.7 (0.7)	3/8	83.0	2.0



## RA-801

**Air Screwdriver – Adjustable Clutch**  
Screw Capacity: M4

Air inlet: 1/4"



- 1/4" 1800 RPM adjustable clutch screwdriver
- Built-in quick change chuck
- Safety forward/reverse valve
- Handle exhaust directs air away from work area
- Common applications include PVC and wood working assembly
- Equipped with internal torque adjustment
- High speed 13.5 Nm torque capacity



## RA-802

**Air Screwdriver – Adjustable Clutch**  
Screw Capacity: M6

Air inlet: 1/4"



- Ideal for cutting sheet aluminum up to 1.5mm, steel up to 1.2mm and stainless steel up to 1.0mm
- Heat treated shear blades
- Common applications include cutting auto panels and sheet steel such as tin, steel and aluminium



## RA-201

**Air Impact Screwdriver**  
Twin Dog Type

Air inlet: 1/4"



- Pistol impact screwdriver
- Twin dog impact mechanism
- 1/4" Hex quick change bit holder
- Fast and easy operation (10000 RPM)
- Supplied with suspension bail
- Common applications include, furniture and window manufacturing/assembly



## QE-231

**3/8" Spot Drill & Hook**

Air inlet: 1/4"



- 8mm drill bit included – 6.5 and 10mm drills available
- Adjustable chuck for easy control
- Hook easily removed or installed
- High quality piston improves torque and efficiency,
- Common applications include drilling into oddly shaped objects
- Maximum drill depth: 4.5mm steel, 3.8mm stainless

Part No.	Chuck Size inch (mm)	Torque Range ft-lbs (Nm)	Free Speed RPM	Motor HP	Average Air Consumption CFM (l/min)	Air Pressure PSI (Bar)	Overall Length inch (mm)	Net Weight lbs (kg)	Air Hose inch	Sound Pressure dBA	Vibration Level m/s <sup>2</sup>
RA-801	1/4 (6.35)	3.8-10.4 (5-14)	1800	-	4.0 (113)	90 (6.3)	7 <sup>3</sup> / <sub>4</sub> (195)	2.70 (1.2)	3/8	83.0	4.2
RA-802	1/4 (6.35)	3.8-13.0 (5-18)	800	-	4.0 (113)	90 (6.3)	8 <sup>9</sup> / <sub>32</sub> (210)	2.80 (1.3)	3/8	83.0	4.2
RA-201	1/4 (6.35)	3.7-18.5 (5-25)	10000	-	9.0 (255)	90 (6.3)	9 (180)	2.65 (1.2)	3/8	93.0	5.3
QE-231	5/16 (8.0)	-	1800	0.50	6.0 (170)	90 (6.3)	9 <sup>1</sup> / <sub>4</sub> (235)	4.40 (2.0)	3/8	88.2	0.1



## QE-331

### 3/8" Air Reversible Drill

With Keyless Chuck

Air inlet: 1/4"

- Convenient forward/reverse valve
- Non-slip handle
- 10mm keyless chuck
- Common applications include general maintenance



## QE-431

### 3/8" Air Reversible Drill

With Keyless Chuck

Air inlet: 1/4"

- 10mm keyless chuck
- 2 piece planet gears
- Heavy duty aluminium body
- Common applications include general industrial drilling



## QE-333

Same features as above – with Key Chuck



## QE-433

Same features as above – with Key Chuck



## QE-341

### 1/2" Air Reversible Drill

With Keyless Chuck

Air inlet: 1/4"

- Convenient forward/reverse valve
- Non-slip handle
- Handle exhaust to reduce noise
- 13mm keyless chuck
- Common applications include general maintenance



## QE-342

### 1/2" Air Drill

With Keyless Chuck

Air inlet: 1/4"

- 13mm keyless chuck
- Non-slip grip and side handle
- Handle exhaust to reduce noise
- Ideal for general maintenance



## QE-343

Same features as above – with Key Chuck



## QE-344

Same features as above – with Key Chuck

Part No.	Chuck Size inch (mm)	Free Speed RPM	Motor HP	Average Air Consumption CFM (l/min)	Air Pressure PSI (Bar)	Overall Length inch (mm)	Net Weight lbs (kg)	Air Hose inch	Sound Pressure dBA	Vibration Level m/s <sup>2</sup>
<b>QE-331</b>	3/8 (10)	1800	0.65	6.5 (184)	90 (6.3)	8 (203)	2.42 (1.1)	3/8	96.5	0.3
<b>QE-431</b>	3/8 (10)	1800	0.50	4.0 (112)	90 (6.3)	8 <sup>29</sup> /32 (226)	2.60 (1.18)	3/8	90.0	3.0
<b>QE-341</b>	1/2 (13)	800	0.65	6.5 (184)	90 (6.3)	9 (230)	3.96 (1.8)	3/8	96.5	0.1
<b>QE-342</b>	1/2 (13)	800	0.60	6.5 (184)	90 (6.3)	8 <sup>1</sup> /4 (209)	3.74 (1.7)	3/8	96.5	0.1



## QE-533

### 3/8" Air Reversible Drill

With Key Chuck

Air inlet: 1/4"

- High speed industrial drill (2200 RPM)
- Convenient forward/reverse switch
- Handle exhaust to reduce noise and direct air away from the operator
- Ideal for industrial applications including reaming, hole sawing and general drilling requiring high torque



## QE-543

### 1/2" Air Reversible Drill

With Key Chuck

Air inlet: 1/4"

- Low speed industrial drill (1100 RPM)
- Convenient forward/reverse switch
- Handle exhaust to reduce noise and direct air away from the operator
- Side handle supplied for complete control
- Ideal for industrial applications including reaming hole sawing and general drilling requiring high torque



## QE-933

### 3/8" Air Reversible Straight Drill

With Keyless Chuck

Air inlet: 1/4"

- Convenient forward/reverse button and lever
- 10mm keyless chuck
- Rear exhaust
- Ideal for drilling in confined spaces



## QE-633

### 3/8" 90° Air Reversible Angle Drill

With Keyless Chuck

Air inlet: 1/4"

- Convenient forward/reverse button and lever
- 10mm keyless chuck
- Rear exhaust
- Ideal for drilling in confined spaces



## QE-98L

### Double Axis Bubble Spirit Level Gradienter

- Suits M7 range of Air Drills



Part No.	Chuck Size inch (mm)	Free Speed RPM	Motor HP	Average Air Consumption CFM (l/min)	Air Pressure PSI (Bar)	Overall Length inch (mm)	Net Weight lbs (kg)	Air Hose inch	Sound Pressure dBA	Vibration Level m/s <sup>2</sup>
QE-533	3/8 (10)	2200	0.50	4.0 (112)	90 (6.3)	9 <sup>13</sup> / <sub>32</sub> (189)	2.70 (1.23)	3/8	90.0	2.0
QE-543	1/2 (13)	1100	0.50	4.0 (112)	90 (6.3)	10 <sup>55</sup> / <sub>64</sub> (276)	3.80 (1.73)	3/8	90.0	2.0
QE-933	3/8 (10)	2600	0.50	3.0 (85)	90 (6.3)	8 <sup>15</sup> / <sub>32</sub> (215)	2.0 (0.9)	3/8	72.0	2.5
QE-633	3/8 (10)	1600	0.50	3.0 (85)	90 (6.3)	8 <sup>1</sup> / <sub>4</sub> (210)	2.4 (1.1)	3/8	72.0	2.5





## SC-211C

### Air Hammer Round Shank

SC-4 Chisel Kit is provided with this tool

Air inlet: 1/4"

- Spring retainer for simple accessory changing
- Common applications include exhaust work, bolt cutting, panel cutting and general work requiring percussive action



## SC-212C

### Air Hammer Round Shank

## SC-222C

### Air Hammer Hex Shank

SC-4 Chisel Kit is provided with these tools

Air inlet: 1/4"

- Spring retainer for simple accessory changing
- Common applications include exhaust work, bolt cutting, panel cutting and general work requiring percussive action



## SC-0627C

### Air Hammer Set – 7 Pieces

Air inlet: 1/4"

- 1 x Air Hammer
- 5 x Hex Chisel Kit (SC-425)
- 1 x Spring Retainer
- 1 x Blow Moulded Case

- Kit contains SC-222C – features as above



## SC-33C

### Round Shank

## SC-34C

### Hex Shank

Air Hammer attachment easily converts the above to a needle scaler

- 19 high strength needles
- Two different models suitable for Round or Hex chisels
- Convenient accessory for every tool box



## SC-4

### 175mm Chisel Set

- Flat Chisel
- Cutting Chisel
- Tapered Punch
- Ripping Chisel
- Tail Pipe Cutter



SC-415 - Round / SC-425 - Hex

Part No.	Shank	Chuck Size inch (mm)	Stroke Length mm	Blows Per Minute BPM	Average Air Consumption CFM (l/min)	Air Pressure PSI (Bar)	Overall Length inch (mm)	Net Weight lbs (kg)	Air Hose inch	Sound Pressure dBA	Vibration Level m/s <sup>2</sup>
<b>SC-211C</b>	Round	0.401 (10.2)	67	3200	4.0 (113)	90 (6.3)	67/8 (175)	3.70 (1.7)	3/8	98.0	12.3
<b>SC-212C</b>	Round	0.401 (10.2)	89	2200	4.0 (113)	90 (6.3)	87/8 (225)	4.40 (2.0)	3/8	94.7	13.2
<b>SC-222C</b>	Hex	0.393 (10)	89	2200	4.0 (113)	90 (6.3)	87/8 (225)	4.40 (2.0)	3/8	94.7	13.2



## SN-2110

### Air Pistol Needle Scaler

Air inlet: 1/4"

- General purpose needle scaler ideal for surface preparation work
- 19 high strength steel needles for longer life



## SN-1268-46

### 19 Needle Set – 3 x 180mm

- For SN-1268 & SN-2110



## SN-1268

### Air Needle Scaler

Air inlet: 1/4"

- General purpose 2-in-1 needle scaler/chipper ideal for surface preparation work
- Adjustable external sleeve to increase needle length
- 19 high strength steel needles for longer life
- Supplied complete with chisel



## SN-3121C

### Air Hammer Round Shank

Air inlet: 1/2"

- 0.58 round chisel holder
- 2500 blows per minute
- Steel forged construction provides industrial level quality and durability
- Designed for easy maintenance and repair
- Supplied complete with tapered chisel



Part No.	Needle Diameter mm	Number of Needles	Stroke Length mm	Blows Per Minute BPM	Average Air Consumption CFM (l/min)	Air Pressure PSI (Bar)	Overall Length inch (mm)	Net Weight lbs (kg)	Air Hose inch	Sound Pressure dBA	Vibration Level m/s <sup>2</sup>
<b>SN-2110</b>	3 x 180	19	33	3700	15 (424)	90 (6.3)	13 (330)	6.16 (2.8)	3/8	97.0	9.7
<b>SN-1268</b>	3 x 180	19	28	4600	15 (424)	90 (6.3)	18 1/8 (460)	6.16 (2.8)	3/8	91.0	13.7
Part No.	Shank	Chuck Size inch (mm)	Stroke Length mm	Blows Per Minute BPM	Average Air Consumption CFM (l/min)	Air Pressure PSI (Bar)	Overall Length inch (mm)	Net Weight lbs (kg)	Air Hose inch	Sound Pressure dBA	Vibration Level m/s <sup>2</sup>
<b>SN-3121C</b>	Round	0.58 (14.8)	75	2500	10 (283)	90 (6.3)	15 1/2 (395)	15.4 (7.0)	1/2	115.3	8.0



## PA-201

### 1/4" Air Hydraulic Riveter

Air inlet: 1/4"

- Mirror polished cylinder and piston provides less friction and allows the rivet to release quickly
- Performs well at any angle and gets into hard-to-reach areas
- Powerful, durable, high speed production tool
- Supplied complete with 2.4, 3.2, 4.0, 4.8, 6.0 and 6.4mm nosepieces



## PA-301

### 3/16" Air Hydraulic Riveter

Air inlet: 1/4"

- Quick release air valve permits cylinder to return quickly for high speed assembly operations and prevents overloading for durability
- Quick, quiet and comfortable operation reduces operator fatigue
- Supplied complete with 2.4, 3.2, 4.0 and 4.8mm nosepieces



## PB-1310

### Air Riveter Nut Tool

Air inlet: 1/4"

- Automatic mechanism for fast operation
- Quick release design to change mandrel
- Two trigger design allowing quick forward/reverse operation
- Excellent for mass production line and general manufacturing



Part No.	Traction Power lb-ft (kg-ft)	Free Speed RPM	Stroke Length mm	Capacity mm	Average Air Consumption l/cycle	Air Pressure PSI (Bar)	Net Weight lbs (kg)	Air Hose inch	Sound Pressure dBA	Vibration Level m/s <sup>2</sup>
<b>PA-201</b>	3534 (1603)	-	14	2.4-6.4	2.32	90 (6.3)	3.9 (1.80)	3/8	79.7	0.5
<b>PA-301</b>	2303 (1045)	-	16	2.4-4.8	1.48	90 (6.3)	3.3 (1.50)	3/8	79.7	0.3
<b>PB-1310</b>	-	400	-	M8 - M10	7.80	90 (6.3)	2.80 (1.30)	3/8	86.0	1.6

# Air Hydraulic Nut Setters & Riveter Adaptors



## PB-2402 Air Hydraulic Nut Setter

Air inlet: 1/4"

- Excellent for mass production line and general manufacturing
- Mandrels supplied with tools M4 to M10
- Superior quality
- Easy to maintain



## PB-2601 Air Hydraulic Nut Setter

Air inlet: 1/4"

- Automatic mechanism to quickly push and pull back rivets
- Six spindle sizes: 3, 4, 5, 8, 10 and 12mm
- Thickness of the pull nut can be adjusted quickly



	Traction Power lb-ft (kg-ft)	Free Speed RPM	Stroke Length mm	Capacity mm	Average Air Consumption CFM	Air Pressure PSI (Bar)	Net Weight lbs (kg)	Air Hose inch	Sound Pressure dBA	Vibration Level m/s <sup>2</sup>
<b>PB-2402</b>	3638 (1650)	-	9	M4-M10	1.50	90 (6.3)	3.41 (1.55)	3/8	82.0	0.8
<b>PB-2601</b>	4300 (1950)	594	0-7.0	M3-M12	7.5	90 (6.3)	5.4 (2.46)	3/8	80.0	1.2

## PA-9064 1/4" (6.35mm) Riveter Adaptor



## PB-9006 M6 Riveter Nut Adaptor



## PA-9010 M10 Riveter Nut Adaptor



## Technical Data

### PA-9064

Dimensions	59mm x 173mm (2 <sup>11</sup> / <sub>32</sub> " x 6 <sup>3</sup> / <sub>4</sub> " )
Net Weight	330g / 0.73 lbs
Gross Weight	500g / 1.10 lbs
Nosepiece	3.2mm (1/8"), 4.0mm (5/32")
Nosepiece	4.8mm (3/16"), 6.4mm (1/4")
Hex Shank	1/4" (6.35mm)
Cordless Drill	14.4V, 18V
Cordless Drive	14.4V, 18V
Reversible Electric	1/2" Drill
Reversible Pneumatic	1/2" Drill
Minimum Torque Strength	50 Nm = 37 ft/lbs
Maximum RPM	1,000 RPM
1. Hex Shank	1/4" (6.35mm)
2. Housing	PA+GF
3. Nosepiece	3.2, 4.0, 4.8, 6.4mm
4. Sight Window	Blind Rivet Loading
5. Wrench	1 piece
6. Handle	1 piece

### PB-9006

Dimensions	59mm x 172mm (2 <sup>11</sup> / <sub>32</sub> " x 6 <sup>25</sup> / <sub>32</sub> " )
Net Weight	280g / 0.62 lbs
Cordless Drill	M3 M4 M5 M6
Hex Shank	1/4" (6.35mm)
Cordless Drill	12V 14.4V
Cordless Drive	12V 14.4V
Reversible Electric	Drill (Advice 500W)
Reversible Pneumatic	Drill (Advice 3/8")
Minimum Torque Strength	15 Nm / 11 ft/lbs
Maximum RPM	1000 RPM

### PA-9010

Dimensions	59mm x 180mm (2 <sup>11</sup> / <sub>32</sub> " x 7 <sup>3</sup> / <sub>32</sub> " )
Net Weight	350g / 0.77 lbs
Nosepiece	M6 M8 M10
Hex Shank	1/4" (6.35mm)
Cordless Drill	14.4V
Cordless Drive	18V
Reversible Electric	Drill (Advice 500W)
Reversible Pneumatic	Drill (Advice 1/2")
Minimum Torque Strength	100 Nm / 73.7 ft-lbs
Maximum RPM	800 RPM



**QB-48 (4 1/2") (QB-48111)**  
 Air Random Orbital Sander  
 Non-Vacuum (Jitterbug)  
 Air inlet: 1/4"



- Random orbit, non vacuum
- Elastic mechanism for durability and longer lifespan
- 100 x 110mm pad
- Lower body with low profile design



**QB-45 (6") (QB-45602)**  
 Air Random Orbital Sander  
 Central Vacuum  
 Air inlet: 1/4"



- Convenient air / speed regulator
- Rubber palm grip allows for a one-hand operation
- 3/16" (5mm) orbit for fine finishes
- Hook (Velcro) pad with 6 holes



**QB-46 (6") (QB-46602)**  
 Air Random Orbital Sander  
 Non-Vacuum  
 Air inlet: 1/4"



- Convenient air / speed regulator
- Rubber palm grip allows for a one-hand operation
- 3/16" (5mm) orbit for fine finishes
- Hook (Velcro) pad
- Excellent for refinishing or smoothing the surface of metal, wood, leather etc



**QB-47 (6") (QB-47602)**  
 Air Random Orbital Sander  
 Self-Generating Vacuum  
 Air inlet: 1/4"



- Excellent for mass production line and general manufacturing
- Mandrels supplied with tools M4 to M10
- Superior quality
- Easy to maintain

Part No.	Pad Diameter inch (mm)	Free Speed RPM	Average Air Consumption CFM (l/min)	Air Pressure PSI (Bar)	Overall Length inch (mm)	Motor HP	Net Weight lbs (kg)	Air Hose inch	Sound Pressure dBA	Vibration Level m/s <sup>2</sup>	Orbit mm
<b>QB-48</b>	4x4 <sup>3</sup> / <sub>8</sub> (100x110)	11000	7.0 (198)	90 (6.3)	5 <sup>1</sup> / <sub>5</sub> (130)	0.28	2.0 (0.91)	3/8	83.0	1.5	2.5
<b>QB-45</b>	6 (152)	10000	3.85 (109)	90 (6.3)	7 <sup>1</sup> / <sub>2</sub> (193)	0.24	1.85 (0.84)	3/8	81.6	2.2	5.0
<b>QB-46</b>	6 (152)	10000	3.85 (109)	90 (6.3)	6 <sup>1</sup> / <sub>2</sub> (166)	0.24	1.74 (0.79)	3/8	80.1	2.2	5.0
<b>QB-47</b>	6 (152)	10000	3.85 (109)	90 (6.3)	7 <sup>1</sup> / <sub>2</sub> (193)	0.24	2.49 (1.13)	3/8	84.7	2.2	5.0





**QB-41 (6") (QB-41902)**  
Air Random Orbital Sander  
Central Vacuum  
Air inlet: 1/4"



- Rubber palm grip
- Lightweight cast aluminium housing for durability
- Leak-proof rubber shroud provides maximum vacuum
- Excellent for refinishing or smoothing most surfaces
- 3/16" (5mm) orbit for fine finishes



**QB-42 (5") (QB-42602)**  
Air Random Orbital Sander  
Non- Vacuum  
Air inlet: 1/4"



- Rubber palm grip
- Lightweight cast aluminium housing for durability
- Excellent for refinishing or smoothing the surface of metal, wood, leather etc
- 3/16" (5mm) orbit for fine finishes



**QB-43 (6") (QB-43902)**  
Air Random Orbital Sander  
Self-Generating Vacuum  
Air inlet: 1/4"



- Rubber palm grip
- Lightweight cast aluminium housing for durability
- Leak-proof rubber shroud provides maximum vacuum
- Excellent for refinishing or smoothing most surfaces
- Air hose and vacuum hose are both included
- 3/16" (5mm) orbit for fine finishes



**QB-57 (6") (QB-57602)**  
Air Random Orbital Sander  
Central Vacuum  
Air inlet: 1/4"



- Two-handed aluminium body completely covered with composite materials to provide operator comfort during prolonged use
- Air valve to adjust and control speed
- 3/16" (5mm) orbit for fine finishes
- Excellent for refinishing or smoothing the surface of metal, wood, leather etc

Part No.	Pad Diameter inch (mm)	Free Speed RPM	Average Air Consumption CFM (l/min)	Air Pressure PSI (Bar)	Overall Length inch (mm)	Motor HP	Net Weight lbs (kg)	Air Hose inch	Sound Pressure dBA	Vibration Level m/s <sup>2</sup>	Orbit mm
<b>QB-41</b>	6 (152)	10000	3.85 (109)	90 (6.3)	8 (206)	0.24	2.0 (0.91)	3/8	81.5	1.2	5.0
<b>QB-42</b>	6 (152)	10000	3.85 (109)	90 (6.3)	6 1/2 (166)	0.24	1.85 (0.84)	3/8	74.4	1.4	5.0
<b>QB-43</b>	6 (152)	10000	3.85 (109)	90 (6.3)	8 3/4 (221)	0.24	3.30 (1.54)	3/8	83.0	1.4	5.0
<b>QB-57</b>	6 (152)	10000	3.10 (88)	90 (6.3)	9 7/16 (240)	0.40	2.60 (1.20)	3/8	80.0	1.3	5.0



## QP-113 (3") Air Pistol Sander

Air inlet: 1/4"

- Pistol Sander (2.5mm) orbit
- Ergonomic cushion-grip handle
- Low noise – 74 dBA
- Speed can be adjusted
- 360° air inlet swivel
- Lightweight, compact and portable
- Ideal for spot repair and delicate finishing



## QP-123 (3") Air Pistol Polisher

Air inlet: 1/4"

- Pistol Polisher
- 2100 RPM
- Low noise – 74 dBA
- Ergonomic cushion-grip handle
- Speed can be adjusted
- 360° air inlet swivel
- Lightweight, compact and portable
- Ideal for general automotive polishing



## Pads & Sponges Air Pistol Sander / Polisher – Accessories

**QB-9403**  
Rough 3" For QP-113



**QB-9413**  
Medium 3" For QP-123

**QB-9323**  
3" Pad



## QP-213N Air Mini Sander

Air inlet: 1/4"

- 1 x Air Mini Sander
- 1 x 2" Pad (5/16-24")
- 1 x 3" Pad (5/16-24")
- 10 x 2" Sandpaper #180
- 10 x 2" Sandpaper #220
- 10 x 2" Sandpaper #320
- 10 x 3" Sandpaper #180
- 10 x 3" Sandpaper #220
- 10 x 3" Sandpaper #320
- 1 x 1/4" Plug
- 1 x Oil Box
- 2 x Spanner Wrench



## QP-223N Air Mini Polisher

Air inlet: 1/4"

- 1 x Air Mini Polisher
- 1 x 3" Pad
- 1 x 3" Sponge (Medium)
- 1 x 3" Sponge (Rough)
- 1 x 3" Wool Bonnet
- 1 x 1/4" Plug
- 1 x Spanner Wrench



Part No.	Pad Diameter inch (mm)	Spindle	Free Speed RPM	Average Air Consumption CFM (l/min)	Air Pressure PSI (Bar)	Overall Length inch (mm)	Motor HP	Net Weight lbs (kg)	Air Hose inch	Sound Pressure dBA	Vibration Level m/s <sup>2</sup>	Orbit mm
<b>QP-113</b>	3 (76)	5/16-24	15000	3.5 (99)	90 (6.3)	5 (127)	0.40	1.58 (0.72)	3/8	74.0	0.3	2.5
<b>QP-123</b>	3 (76)	7/16-20	2100	3.5 (99)	90 (6.3)	5 5/16 (135)	0.40	1.69 (0.77)	3/8	74.0	0.3	-
<b>QP-213N</b>	3 (76)	5/16-24	18000	2.1 (59)	90 (6.3)	4 5/8 (117)	0.30	1.10 (0.50)	3/8	76.0	1.2	-
<b>QP-223N</b>	3 (76)	5/16-24	5500	2.2 (62)	90 (6.3)	5 1/8 (130)	0.30	1.30 (0.50)	3/8	74.0	0.9	-



## QB-311 Air Belt Sander – 10mm

Air inlet: 1/4"



- 10mm belt – can be easily changed
- Belt automatically adjusts to correct position
- Belt shroud protects hands
- Rubber handle offers non-slip grip and insulates hands from cold housing
- Common applications include sanding and smoothing of welds, paint, rust and deburring removal



## QB-312 Air Belt Sander – 20mm

Air inlet: 1/4"



- 20mm belt – can be easily changed
- Belt automatically adjusts to correct position
- Long belt shroud protects hands
- Rubber handle offers non-slip grip and insulates hands from cold housing
- Common applications include sanding and smoothing of welds, paint, rust and deburring removal



## QB-324 Air Belt Sander – 12.7mm Extended

Air inlet: 1/4"



- 12.7mm extended belt – can be easily changed
- Adjustable belt speed control regulator
- Belt automatically adjusts to correct position
- Rubber handle offers non-slip grip and insulates hands from cold housing
- Common applications include sanding and smoothing of welds, paint, rust and deburring removal in difficult-to-access locations



## QB-325N (KIT) Air Belt Sander

Air inlet: 1/4"

Belt sizes (mm):  
20-520  
20-330  
10-330  
6-360



- Adjustable belt speed regulator
- Non-woven abrasive belt available
- Ergonomic design for comfortable operation

For replacement sanding belts – see page 464

Part No.	Belt Size inch (mm)	Free Speed RPM	Average Air Consumption CFM (l/min)	Air Pressure PSI (Bar)	Overall Length inch (mm)	Net Weight lbs (kg)	Air Hose inch	Sound Pressure dBA	Vibration Level m/s <sup>2</sup>
QB-311	3/8 x 13 (10 x 330)	16000	8.0 (226)	90 (6.3)	11 1/2 (290)	1.76 (0.80)	3/8	89.7	0.5
QB-312	3/4 x 20 1/2 (20 x 520)	16000	9.0 (254)	90 (6.3)	14 (360)	2.65 (1.20)	3/8	91.8	0.4
QB-324	1/2 x 24 (12.7 x 610)	16000	4.0 (113)	90 (6.3)	18 (455)	2.40 (1.10)	3/8	88.0	1.1
QB-325N	1/2 x 24 (12.7 x 610)	16000	4.0 (113)	90 (6.3)	12 5/8 (320)	2.10 (0.95)	3/8	90.0	1.0

# Air Auto Multiple Tool Kit



## NE-0405K 5-in-1 Multiple Tool Kit

Air inlet: 1/4"

Air hose: 3/8"

Air pressure: 90 PSI / 6.3 Bar

**ONE FOR ALL**  
**ONE STOP SOLUTION**



Ratchet NE-9004



Die Grinder QA-9120



Angle Die Grinder QA-9620



Drill QE-2132



Angle Grinder QA-9903



Part No.	Pad Diameter inch (mm)	Spindle Size inch	Square Drive inch	Collet Size	Torque Range ft-lb(Nm)	Max. Torque ft-lb(Nm)	Motor HP	Free Speed RPM	Average Air Cons. CFM (l/min)	Overall Length inch (mm)	Net Weight lbs (kg)	Sound Pressure dBA	Vibration Level m/s <sup>2</sup>
NE-9004	-	-	1/2	-	10-45 (13.5-61)	60 (81)	-	200	5.0 (141)	13 <sup>13</sup> / <sub>32</sub> (340)	3.30 (1.48)	85.0	5.2
QA-9120	-	-	-	6mm & 3mm	-	-	0.5	20000	5.0 (141)	7 <sup>15</sup> / <sub>16</sub> (135)	1.60 (0.73)	82.0	3.5
QA-9620	-	-	-	6mm & 3mm	-	-	0.5	14000	5.0 (141)	7 <sup>15</sup> / <sub>16</sub> (135)	1.98 (0.90)	82.0	3.5
QA-9903	3 (76)	3/8-24	-	-	-	-	0.5	14000	5.0 (141)	8 <sup>9</sup> / <sub>16</sub> (211)	4.60 (2.10)	82.0	3.5
QE-2132	-	-	-	3/8" (10mm)	-	-	-	2500	5.0 (141)	9 <sup>3</sup> / <sub>4</sub> (248)	2.40 (1.10)	82.0	1.5



## QB-0808

### Air Surface Cleaning Tool Kit – 10 pieces

Air inlet: 1/4"

- 1 x Air Surface-Cleaning Tool (QB-802)
- 1 x Eraser Wheel
- 1 x Stripping Wheel
- 1 x Wire Wheel (coarse)
- 1 x Wire Wheel
- 1 x Allen Key 6mm
- 1 x Spanner Wrench
- 1 x 1/4" Plug
- 1 x Adaptor Male UNF 5/16"-24"
- 1 x Female M6 1.0



	Free Speed RPM	Air Pressure inch (mm)	Average Air Consumption CFM (l/min)	Motor HP	Overall Length inch (mm)	Net Weight lbs (kg)	Air Hose inch	Sound Pressure dBA	Vibration Level m/s <sup>2</sup>
<b>QB-802</b>	3600	90 (6.3)	10.6 (300)	0.7	77/8 (200)	2.6 (1.2)	3/8	86	0.3



## PC-1012 (PC-2010)

### Air Tapping Tool

Air inlet: 1/4"

#### ADJUSTABLE TORQUE

- Built in air regulator
- Handle exhaust
- Low speed and side handle for complete control
- Ideal for thread tapping or cleaning
- Two trigger design for quick forward/reverse operation

Collet	mm	inches
T4	3	1/8
T5	4	5/62
T5.5	5	3/16
T6	6	1/4
T6.2	7	5/16
T7	8	3/8
T8.5	10	7/16



Part No.	CAPACITY		Free Speed RPM	Stroke Length inch (mm)	Average Air Consumption CFM (l/min)	Air Pressure PSI (Bar)	Net Weight lbs (kg)	Air Hose inch	Sound Pressure dBA	Vibration Level m/s <sup>2</sup>
	Steel	Copper								
<b>PC-2010</b>	M3-M8	M3-M12	150	12 (305)	6.5 (184)	90 (6.3)	5.4 (2.45)	3/8	82	1.5





## SG-400 Air Grease Gun

Air inlet: 1/4"



- Heavy duty cast aluminium for maximum durability
- Output volume 288 LPM
- Working pressure 40-96 PSI



## QK-111 Air Windshield Remover

Air inlet: 1/4"



- Rear exhaust and extended muffler tube reduces noise and air pollution
- Lower vibration minimises user fatigue for longer operation
- Lower components wear rate prolongs durability
- Blade can be mounted in 12 different ways for user convenience



## SB-201 Digital Tyre Inflator

Air inlet: 1/4"



- 360° digital display in Bar
- Supplied with euro probe
- Tyre deflation button
- 300mm flexible hose

## SB-501 Tyre Inflator

Air inlet: 1/4"



- Heavy duty tyre inflator designed for forecourt use
- Pressure range 0-160 PSI (11 Bar)
- Twin hold-on valve
- Spring reinforced hose for durability

Part No.	Air Inlet inch	Working Pressure kgf/cm <sup>2</sup>	Proof Pressure kgf/cm <sup>2</sup>	Capacity CC	Net Weight lbs (kg)	Air Hose inch	Sound Pressure dBA	Vibration Level m/s <sup>2</sup>
<b>SG-400</b>	1/4	2.8-8.4	10.5	400	3.2 (1.46)	3/8	80.2	0.7
	<b>Oscillation</b> per min	<b>Average Air Consumption</b> CFM (l/min)		<b>Overall Length</b> inch (mm)	<b>Net Weight</b> lbs (kg)	<b>Air Hose</b> inch	<b>Sound Pressure</b> dBA	<b>Vibration Level</b> m/s <sup>2</sup>
<b>QK-111</b>	20000	6.0 (170)		75/64 (180)	2.43 (1.1)	10	75.0	3.9
	<b>Maximum Pressure</b> PSI (Bar)	<b>Air Consumption at 100 PSI</b> CFM	<b>Air Inlet</b> inch	<b>Air Pressure</b> PSI (Bar)	<b>Net Weight</b> lbs (kg)	<b>Air Hose</b> inch	<b>Nozzle Length</b> cm	<b>Nozzle</b>
<b>SB-201</b>	160 (11.0)	1.41	1/4	90 (6.3)	0.70 (0.32)	3/8	30	Tyre Valve Clip
<b>SB-501</b>	160 (11.0)	1.41	1/4	90 (6.3)	2.92 (1.33)	3/8	30	Dual Valve Push-on



## SM-111R Air Dent Puller

Air inlet: 1/4"



- Large area and slight depression of the sheet metal can be quickly repaired
- Three sizes of suction cups can be used in different areas of depression
- Simple structure and long product life

Part No.	Pad Diameter inch/mm	Exhaust System	Max Pulling Force kg	Air Pressure PSI (Bar)
<b>SM-111R</b>	3,4,5,6 (78,115, 125, 155)	REAR	90-100	90 (6.3)
	Avg. Air Consumption CFM (l/min)	Net Weight lbs (kg)	Slide Hammer Weight lbs (kg)	Overall Length inch (mm)
	8.5 (240)	6.0 (2.75)	3.5 (1.6)	44 <sup>1</sup> / <sub>8</sub> (1120)



## SQ-0217 Air Powered Brake Caliper Wind Back Tool Set – 17 pieces

- 1 x Air Powered Brake Caliper Wind Back Tool
- 16 x Discs



## SX-2101 Air Twister Gun



## SX-3301 Air Solvent/Cleaner Spray Gun



## SX-4101 Soda Blaster



Part No.	Cup Capacity Litre	Free Speed RPM	Sound Pressure dBA	Air Pressure PSI (Bar)	Avg. Air Consumption CFM (l/min)	Net Weight lbs (kg)	Air Hose inch	Overall Length inch (mm)
<b>SX-2101</b>	1.0	5500	85.0	90 (6.3)	2.0 (56.6)	1.71 (0.78)	3/8	87/32 x 49/16 (210 x 110)
<b>SX-3301</b>	1.0	-	-	90 (6.3)	10.0 (300)	1.52 (0.69)	1/4	11 <sup>13</sup> / <sub>16</sub> (300)
<b>SX-4101</b>	0.6	-	82.0	90 (6.3)	8.0 (226.5)	0.8 (0.36)	3/8	7 <sup>3</sup> / <sub>4</sub> (197)

## MA42015

1/2" Drive Stubby Impact Socket Set – 15 pieces



### Contents

10mm, 11mm, 12mm, 13mm, 14mm, 15mm, 16mm, 17mm, 18mm, 19mm, 20mm, 21mm, 22mm, 23mm, 24mm

## MB44008M

1/2" Drive SAE Impact Hex Drive Set – 8 pieces



### Contents

H6, H7, H8, H10, H12, H14, H17, H19

## ST-10C521

Mobile Working Chair



## ST-10C522S

Mobile Working Chair c/w Storage



- Colour: red/black anti scratch paint
- Seat cushion materials: high graded artificial PVC leather with sponge
- Product sizes: 350mm long, 260mm wide, 240mm high excluding wheels, drawer height: 70mm
- Product feature: daily required tools storage; squatting fatigue reduced; easy movement

## **MB45010M**

1/2" Drive Deep Impact Socket Set – 10 pieces



**Contents**

10mm, 12mm, 13mm, 14mm, 15mm, 17mm, 19mm, 21mm, 24mm, 27mm

## **MB65008M**

3/4" Drive Deep Impact Socket Set – 8 pieces



**Contents**

26mm, 27mm, 29mm, 30mm, 32mm, 33mm, 35mm, 36mm

## **MB66006M**

3/4" Drive SAE Impact Hex Driver Set 100mm Length – 6 pieces



**Contents**

H12, H14, H17, H19, H22, H24

## **MA4030**

1/2" Drive Deep Impact Socket Set – 3 pieces



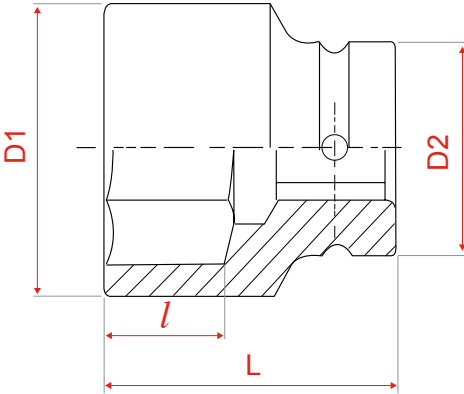
**Contents**

17mm, 19mm, 21mm

## MA411M

### 1/2" Impact Standard Socket

- 1/2" drive – standard length
- 6 points
- Metric size

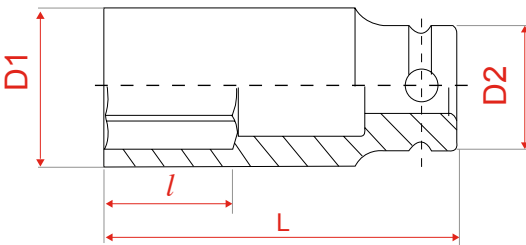


Part No.	Diameter mm	D1	D2	l	L	Weight g
MA411M08	8	14	25	7	38	67
MA411M09	9	15	25	7	38	67
MA411M10	10	17	25	8	38	70
MA411M11	11	18	25	8	38	71
MA411M12	12	19	25	9	38	72
MA411M13	13	20	25	10	38	72
MA411M14	14	22	25	10	38	77
MA411M15	15	23	30	11	38	112
MA411M16	16	24	30	11	38	112
MA411M17	17	26	30	12	38	115
MA411M18	18	27	30	13	38	115
MA411M19	19	28	30	13	38	120
MA411M21	21	30	30	14	40	125
MA411M22	22	32	30	14	40	143
MA411M23	23	33	30	15	40	143
MA411M24	24	34	30	15	42	152
MA411M26	26	37	30	15	42	173
MA411M27	27	38	30	16	44	176
MA411M30	30	42	30.5	17	44	201
MA411M31	31	44	30	20.5	46	244
MA411M32	32	46	30	19	44	205

## MA431M

### 1/2" Impact Deep Socket

- 1/2" drive – deep version
- 6 points
- Metric size



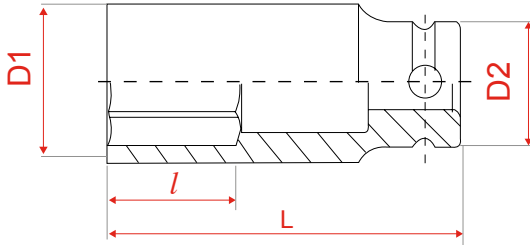
Part No.	Diameter mm	D1	D2	l	L	Weight g
MA431M08	8	14	25	12	78	116
MA431M09	9	15	25	12	78	125
MA431M10	10	17	25	12	80	136
MA431M11	11	18	25	13	80	144
MA431M12	12	19	25	14	80	157
MA431M13	13	20	25	14	80	157
MA431M14	14	22	25	14	80	172
MA431M15	15	23	30	16	80	223
MA431M16	16	24	30	16	80	230
MA431M17	17	26	30	16	80	240
MA431M18	18	27	30	17	80	255
MA431M19	19	28	30	18	80	236
MA431M21	21	30	30	20	80	240
MA431M22	22	32	30	22	80	296
MA431M23	23	33	30	24	80	300
MA431M24	24	34	30	24	80	308
MA431M26	26	37	30	27	80	344
MA431M27	27	38	30	27	80	356
MA431M28	28	41	30	27	80	424
MA431M29	29	41	30	27	80	404
MA431M30	30	42	30.5	30	80	416
MA431M32	32	46	30	32	80	510



## MA631M

### 3/4" Impact Deep Socket

- 3/4" drive – standard length
- 6 points
- Metric size

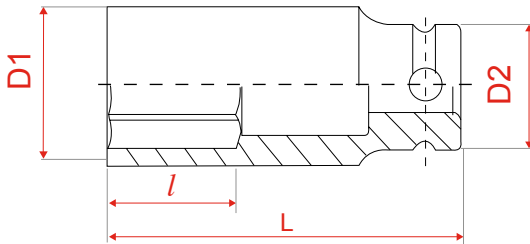


Part No.	Diameter mm	D1	D2	l	L	Weight g
MA631M19	19	32	44	20	90	558
MA631M21	21	35	44	21	90	592
MA631M22	22	36	44	21	90	607
MA631M23	23	37	44	23	90	607
MA631M24	24	38	44	23	90	626
MA631M25	25	40	44	25	90	661
MA631M26	26	40	44	25	90	623
MA631M27	27	42	44	27	90	623
MA631M28	28	44	44	27	90	670
MA631M29	29	45	44	27	90	670
MA631M30	30	46	44	27	90	691
MA631M32	32	48	44	30	90	728
MA631M33	33	50	44	30	90	790
MA631M34	34	51	44	30	90	794
MA631M35	35	52	44	32	90	803
MA631M36	36	53	44	32	90	809
MA631M38	38	56	44	34	90	882
MA631M40	40	58	44	34	90	928
MA631M41	41	59	44	34	90	938
MA631M42	42	61	44	36	95	1074
MA631M43	43	62	44	38	95	1103
MA631M44	44	64	44	38	95	1180
MA631M46	46	66	44	38	95	1210
MA631M48	48	68	54	40	95	1391
MA631M50	50	71	54	40	95	1479

## MA831M

### 1" Impact Deep Socket

- 1" drive – deep version
- 6 points
- Metric size



Part No.	Diameter mm	D1	D2	l	L	Weight g
MA831M24	24	41	54	21	90	850
MA831M27	27	44	54	26	90	879
MA831M28	28	45	54	26	90	892
MA831M30	30	48	54	30	90	916
MA831M32	32	51	54	30	90	979
MA831M33	33	52	54	30	92	1016
MA831M34	34	53	54	30	92	1029
MA831M35	35	54	54	30	92	1016
MA831M36	36	56	54	32	92	1033
MA831M38	38	58	54	36	92	1025
MA831M40	40	60	54	36	92	1075
MA831M41	41	61	54	38	92	1083
MA831M42	42	64	54	38	92	1100
MA831M46	46	68	54	42	95	1137
MA831M50	50	73	54	42	95	1518
MA831M52	52	75	54	45	100	1637
MA831M54	54	78	54	45	100	1750
MA831M55	55	79	54	47	100	1862
MA831M58	58	83	54	47	100	1925
MA831M60	60	86	54	47	100	2050



## Drive Male Adaptor



### ME486

Specification: 1/2" F x 3/4" M  
D: 30mm, L: 48mm, W: 161g

### ME684

Specification: 3/4" F x 1/2" M  
D: 44mm, L: 60mm, W: 343g

### ME688

Specification: 3/4" F x 1" M  
D: 46mm, L: 68mm, W: 437g

## Socket Stickers Pack



**8704**  
1/2" Drive



**8706**  
3/4" Drive

## ME-421-05 1/2" Drive Extension Bar



Length: 5" (125mm)  
Weight: 228g

## ME-621-06L 3/4" Drive Extension Bar

Length: 6" (150mm)  
Weight: 813g

## QM-1125

### Pneumatic CV Joint Boots Fitting Tool



Part No.	Capacity inch (mm)	Max Air Pressure PSI (bar)	Air Pressure PSI (bar)	Overall Length inch (mm)	Net Weight lbs (kg)	Air Hose inch
<b>QM-1125</b>	1-4 <sup>3</sup> / <sub>8</sub> (25-110)	125 (8.6)	90 (6.3)	17 <sup>3</sup> / <sub>8</sub> (442)	7.15 (3.25)	3/8

## Reversible Torque Wrench

- Reversible torque wrench for bi-directional tightening
- Robust 72 teeth ratchets with 5° gear action
- Fixed head version allows for use in narrow spaces
- Easily readable dual scale N-m and ft-lb below the window
- Additional micrometer scale for setting interim value
- Ergonomically shaped and convenient plastic handle grip
- Locking button enables reliable locking of the torque setting
- Tolerance of torque +/- 3%



Part No.	Drive inch	Torque Range (Nm)	Torque Range ft/lbs	Indicator	Torque Adjusting	Depth mm	Height mm	Length mm	Weight kg
<b>TD-202025</b>	1/4	2-25	1.5-1.8	Mag Glass	Back Turning	40.5	40	296	0.41
<b>TD-305050</b>	3/8	5-50	3.5-37	Mag Glass	Back Turning	40.5	40	333	0.47
<b>TD-410100</b>	1/2	10-100	8-75	Mag Glass	Back Turning	40.5	40	446	1.1
<b>TD-420200</b>	1/2	20-200	10-150	Mag Glass	Back Turning	40.5	40	513	1.28
<b>TD-610060</b>	3/4	100-600	75-440	Mag Glass	Back Turning	40.5	40	1040	4.65

## AD-307 Wall Type Display Stand

- 1 x Brand Plate
- 2 x Angled Steel Frame
- 1 x Bottom Shelf
- 4 x Steel Plate with Holes

Width mm	Depth mm	Height mm
900	500	2230

## AD-3501 Tool Fitting Bracket

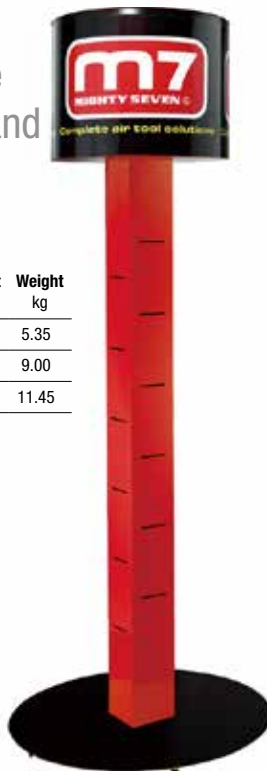


## AD-305 Tower Type Display Stand

- 1 x Lamp Case Set
- 2 x Display Pillars
- 1 x Base Plate

	Length mm	Width mm	Height mm	Weight kg
Lamp Case Set	530	510	101	5.35
Display Pillars	930	330	180	9.00
Base Plate	810	820	70	11.45

## AD-3601 Tool Fitting Bracket



## Spares Parts Boxes

### SF-306



### SF-604



### SF-605



	Width mm	Depth mm	Height mm
SF-306	303	106	253
SF-604	603	167	203
SF-605	603	123	153



## AD-201 1/2" Drive Socket Shelf (Sockets not included)

Width mm	Depth mm	Height mm
410	340	270



## AD-306 Counter Display Stand

- 1 x Transparent Holder
- 2 x Support Frames
- 1 x Bottom Shelf
- 3 x Display Couplings

Width mm	Depth mm	Height mm
300	140	340

