

Stronghand Tools & Industrial Markers

13





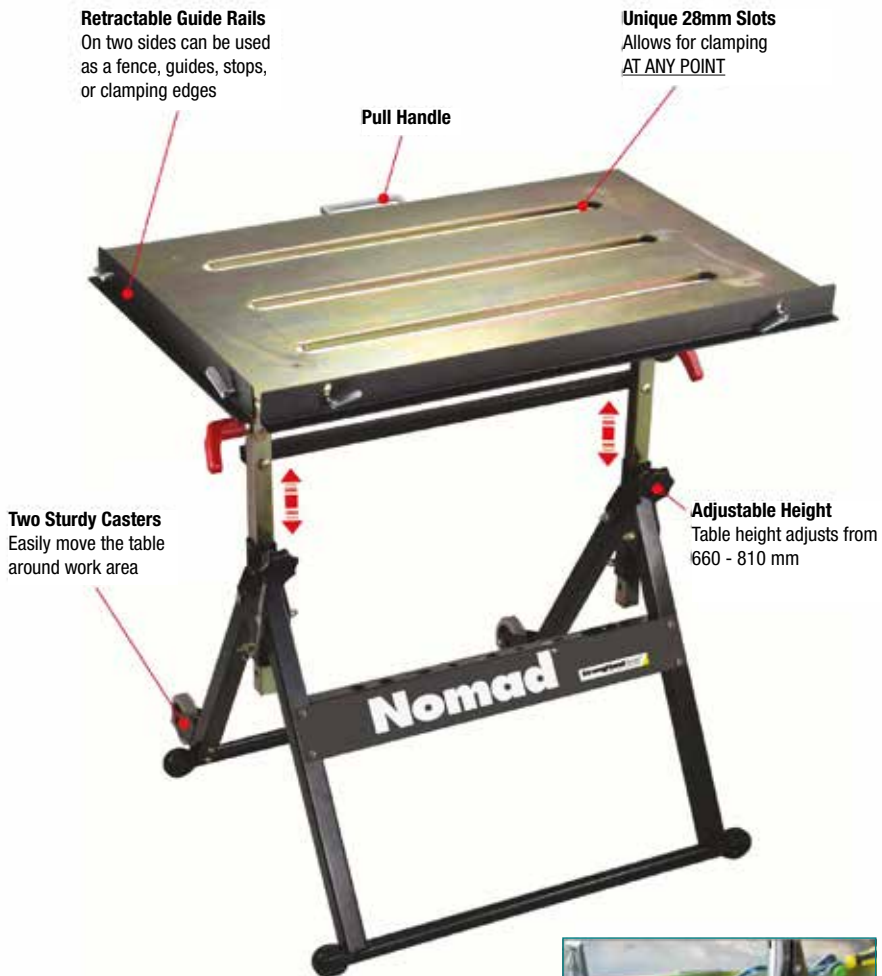
Adjust-O-Mag
MAGNETIC SQUARE
Part No. M5625-HD
Max. Load 100 lbs
For Machining, Milling, Drilling, and Boring
Square & Angle Check
90° 45° 60°
ONE MAGNETIC SQUARE
FOR ALL ANGLES
HD
Part No. M5625-HD
Max. Load 100 lbs
Strong Hand Tools
www.stronghandtools.com
1-800-255-4477



Contents

Welding Table	
Nomad Economy Welding Table & Accessories	392
Fixing Station	
Rhino Cart Mobile Fixing Station & Fixture Kit	393
Pliers	
Locking C-Clamp	394
Pipe Pliers	394
Locking Chain Pliers	394
Adjustable Reach & Long Reach Multi-Purpose Pliers	394
Clamps	
4-in-1 Utility Clamps & Kits	395
Welder's Angle Clamps	396
Magspring™ Clamps	396
Hatchet Action Utility Clamps	396
Grasshopper – Magnetic Model	397
Magnetic Tools	
Adjust-O Magnet Squares	398
Multi-Angle Magnet	398
Corner Magnet	398
90° Dual Switch Magnets	398
Mini Magnet Squares	399
Inside/Outside Angle Magnets	399
Markal Industrial Markers	
Paint Sticks	400
Quik Stick & Quik Stick Mini	400
Valve Action Markers	401
Ball Paint Markers	401
Dura Ink 20	401
Red Riters Welder's Pencil & Silver Streak Welder's Pencil	401
Industrial Markers & Temperature Indicators	
Wrap-A-Round Markers	402
Centre Marking Head	402
French Chalk	402
Tempil Temperature Indicators	402

Nomad Economy Welding Table



NOMAD ACCESSORIES – See pages 394-399 for full details



UDV45M
Sliding arm – One handed clamp
(see page 396)



MS346AT
Mini magnets (see page 399)



Three 28 mm slots in the tabletop allow for insertion of clamps to reach any point on the table

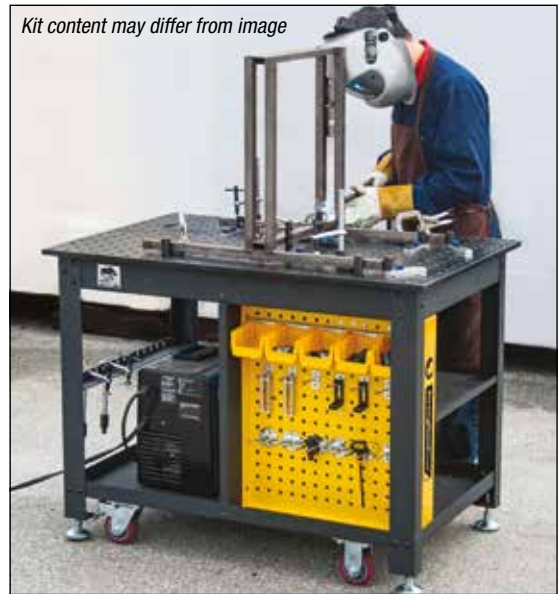
Part No.	Tabletop Size	Table Height Range	Slots in Tabletop	Table Positions	Load Capacity	Weight
TS3020FKM	760 x 510 mm	660 - 810 mm	28 mm	0° 30° Folded	160 kg	20 kg

Rhino Cart Mobile Fixing Station



The Rhino Cart Mobile Fixing Station is a turnkey system for fixing and clamping in welding and fabrication. Clamp and fixture at any point on the reversible, flat, nitrided (heat treated) 1200 x 750 mm tabletop for accuracy in all of your setups. Accurately fit-up and hold work-pieces for tacking and welding with the Rhino Cart package, including: The Rhino Cart Welding Table + 66 piece Fixture Kit.

Table + Fixture Kit
ALL-IN-ONE
Mobility & Storage



Kit content may differ from image

Part No.	Tabletop size	Tabletop thickness	Holes diameter	Grid pattern	Table height	Loading capacity	Package gross weight
TDQ612075-K1	1200 x 750 mm	16 mm	16 mm	50 x 50 mm	910 mm	680 kg	235 kg

Rhino Cart + 66 Piece Fixture kit



Item	Part No.	Description	Weight	Qty
1	TDQ612075	Welding Table, 1200 x 750 mm, 910 mm height, 16 mm thickness, 16 mm hole, 50 x 50 mm grid pattern, Nitrided Finishing Tabletop, Adjustment Height Range by Leveling Pad from 0 - 50 mm, 680 kg static loading capacity	185 kg	1
2	T65055	Ball Lock Bolt, Adjustable range: 22 mm - 27 mm. Connecting tables to accessories and accessories to accessories	0.1	10
3	T64201	Locating Pin goes into 16 mm holes, no locking	0.1	2
4	PT07K	Inserta Pliers, 60 mm opening, Max. 50 mm reach	0.3	2
5	PT09K	Inserta Pliers, 100 mm opening, Max. 75 mm reach	0.4	2
6	UDN6150	Inserta Clamp, 150 mm opening, 83 mm reach, 16 x 8 mm (D Rail), T-Handle	0.5	2
7	T64217	Magnetic Top V pads for Inserta Pliers and Inserta Clamps	0.1	2
8	TCX6210	Side Clamp, 38 mm stroke	0.3	2
9	T64203	Stop, ø 25 x 38 mm	0.2	4
10	T64205	Stop, ø 25 x 50 mm	0.2	4
11	T64216	V-Block, ø 40 x 23 mm	0.1	8
12	T64211	V-Block Spacer, ø 38 x 11.5 mm	0.1	4
13	T60630	D-Stop Bar, 120 x 25 x 11.5 mm	0.1	8
14	T50737	Magnetic Rest Button, ø 40 x 11.5 mm	0.1	12
15	T60304	Right Angle Bracket, 41 x 91 x 30 mm	0.2	2
16	T60305	Right Angle Bracket, 91 x 91 x 30 mm	0.2	2

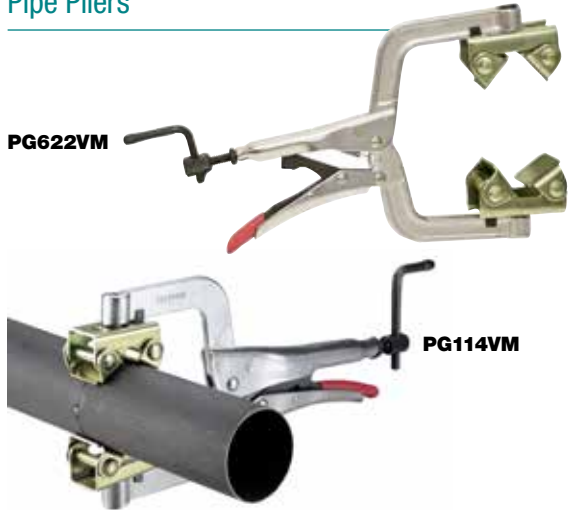
Locking C-Clamp

Forged jaw, rugged round tip pliers - the easiest to use. Please note the deeper-than-normal throat.



Part No.	OAL	Throat	Opening	Weight	Qty
ROUND TIP					
PR6	165 mm	46 mm	56 mm	0.2 kg	1-16
PR-115	280 mm	83 mm	100 mm	0.9 kg	1-16
SWIVEL PAD					
PR6S	165 mm	46 mm	56 mm	0.3 kg	1-16
PR-115S	280 mm	83 mm	100 mm	1.0 kg	1-16

Pipe Pliers

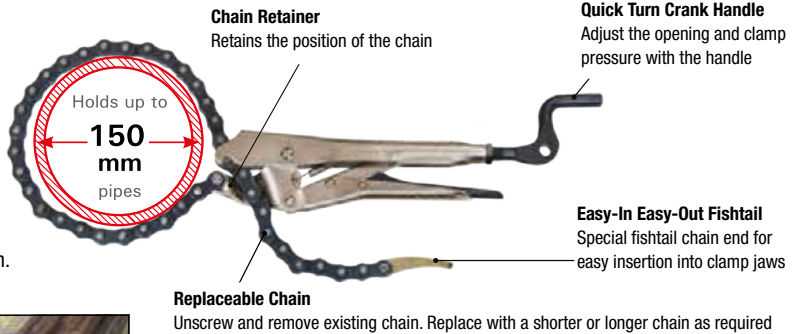


Part No.	Description	Min / Max	Qty
PG622VM	150mm PG622 Pliers c/w V-Pads	25-50 mm	1-30
PG114VM	280mm PG114 Pliers c/w V-Pads	38-64 mm	1-8

Locking Chain Pliers

Holds 150 mm pipes with standard 600 mm chain

- Clamp around odd or odd shaped items
- Hold two workpieces, or a group of materials securely in place while you weld
- The ONLY Locking Chain Pliers with replaceable chains of various lengths! Chain lengths from 600 mm to 1200 mm. Custom length chains available



Part No.	Description	Weight	Qty
PFC1024	Standard Chain Pliers with 600 mm Chain	0.9 kg	1
PXC24	600 mm Replaceable Chain	0.2 kg	1
PXC36	910 mm Replaceable Chain	0.5 kg	1
PXC48	1200mm Replaceable Chain	0.7 kg	1



Adjustable Reach & Long Reach Multi-Purpose Pliers

Thread: M10 / Opening: 100 mm

- Top Adjustable Spindle: No-mar rubber pads, pivoting head
- Bottom Adjustable Spindle: No-mar rubber pads, fixed head



Part No.	Throat depth	OAL	Weight	Qty
PGA20M	350, 405, 460, 510 mm	585 - 740 mm	2.2 kg	1

4-in-1 Utility Clamps & Kits

The most versatile Sliding Arm Clamps in the market

Ergonomic Comfort Handle with purchase of G / M Rail Clamps

UM Models: Plastic handle only

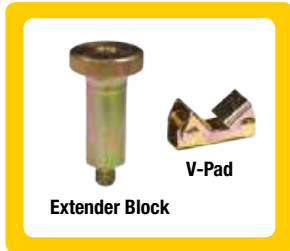
UG Models: Plastic handle + Cap

Removable / Reversible Clamp Arm

Standard Pad

Replaceable Heavy Duty Pad

Self-aligning



Extender Block

V-Pad

4-IN-1 ACCESSORY PACK

The 4-IN-1 Clamp Kit comes complete with the V-Pad and Extender Block accessories

Tapped Hole

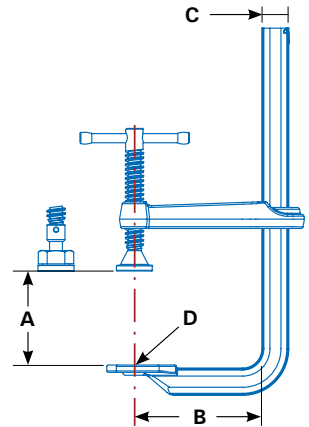
For attaching accessories such as the V-Pad or Extender Block



UG, UM Models:
Press the Spring Stop to slide the clamp arm ON & OFF



UD Models:
Remove the Key Ring



4-in-1 Utility Clamp Kits – Clamp with Standard V-Pad and Extender Block

Part No.	Capacity A	Throat Depth B	Clamping Pressure	Pads	Rail Size C	Tapped Hole D	Qty
UD45M-C3	114 mm	83 mm	227 kg	Standard	16 x 8 mm	M8	1
UD65M-C3	165 mm	83 mm	227 kg	Standard	16 x 8 mm	M8	1
UG85M-C3	216 mm	120 mm	544 kg	Standard	25 x 12 mm	M10	1
UG125M-C3	318 mm	120 mm	544 kg	Standard	25 x 12 mm	M10	1
UM125M-C3	318 mm	140 mm	1089 kg	Heavy Duty	30 x 14 mm	M10	1
UM205M-C3	521 mm	140 mm	1089 kg	Heavy Duty	30 x 14 mm	M10	1

Regular Duty Clamps – 1089 kg Clamping Pressure, Heavy Duty Pads

Part No.	Capacity A	Throat Depth B	Clamping Pressure	Pads	Rail Size C	Tapped Hole D	Qty
UM125M	318 mm	140 mm	1089 kg	Heavy Duty	30 x 14 mm	M10	1-10
UM165M	419 mm	140 mm	1089 kg	Heavy Duty	30 x 14 mm	M10	1-6
UM205M	521 mm	140 mm	1089 kg	Heavy Duty	30 x 14 mm	M10	1

Heavy Duty Utility Clamps – 2177 kg Clamping Pressure, Heavy Duty Pads

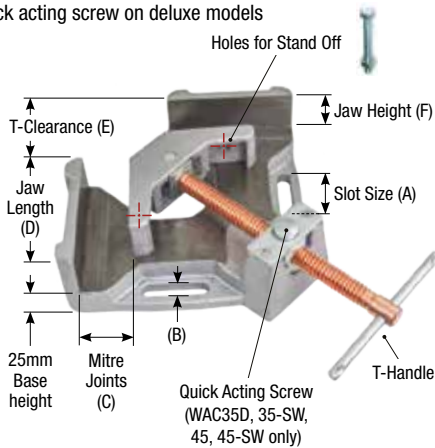
Part No.	Capacity A	Throat Depth B	Clamping Pressure	Pads	Rail Size C	Tapped Hole D	Qty
UP125M	318 mm	180 mm	2177 kg	Heavy Duty	40 x 19 mm	M10	1-10
UP165M	419 mm	180 mm	2177 kg	Heavy Duty	40 x 19 mm	M10	1-6
UP205M	521 mm	180 mm	2177 kg	Heavy Duty	40 x 19 mm	M10	1

Welder's Angle Clamps

2-Axis Welders' Angle Clamps

Made with machined cast iron. Featuring these improvements:

- WAC35D and WAC45 have machined outside faces – suitable for upright joints
- Stand-off increases access
- Quick acting screw on deluxe models

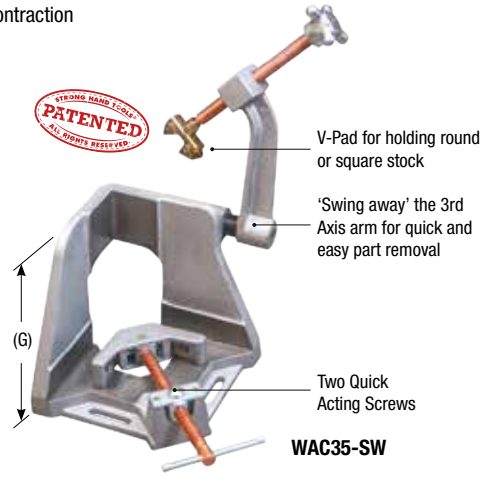


3-Axis Welders' Angle Clamps

Holds a 3-axis workpiece in position before welding.

Features the QUICK ACTING SCREWS and 'SWING AWAY' Arm.

- Hold parts in position during cool down to minimise distortion due to contraction



Part No.	A	B	C	D	E	F	G	Weight	Qty
WAC34*	40 mm	11 mm	95 mm	107 mm	64 mm	35 mm	-	4.3 kg	1
WAC35D*	40 mm	11 mm	95 mm	107 mm	64 mm	35 mm	-	4.5 kg	1-3
WAC45*	51 mm	11 mm	125 mm	135 mm	103 mm	64 mm	-	10 kg	1
WAC35-SW**	42 mm	11 mm	95 mm	120 mm	64 mm	36 mm	210 mm	11 kg	1
WAC45-SW**	51 mm	11 mm	125 mm	135 mm	103 mm	64 mm	245 mm	16 kg	1

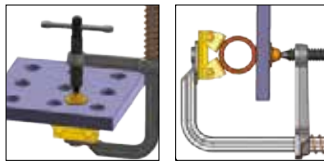
* Quick acting screw machined on 2 sides stand offs

** WAC35D base, 3 axis fixture, quick acting screw, swing away arm, T-handle, stand offs

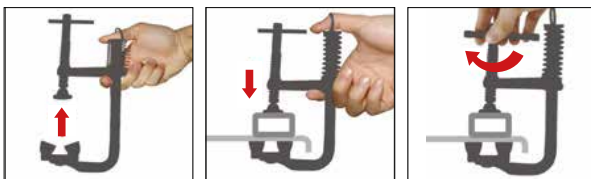
Magspring™ Clamps

The spring-loaded, one-handed clamp with quick-set V-Pad

The Spring Arm in conjunction with the V-Pad allows users to free up one hand to position the workpiece



Quick & Easy to Use!



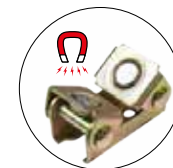
Squeeze to open

Set in position

Turn to tighten

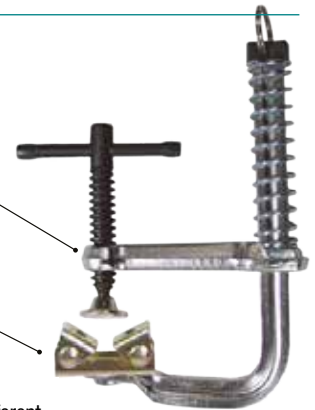
Spring Loaded Arm

The MagSpring™ holds onto metal, wood and synthetic materials



Magnetic V-Pad

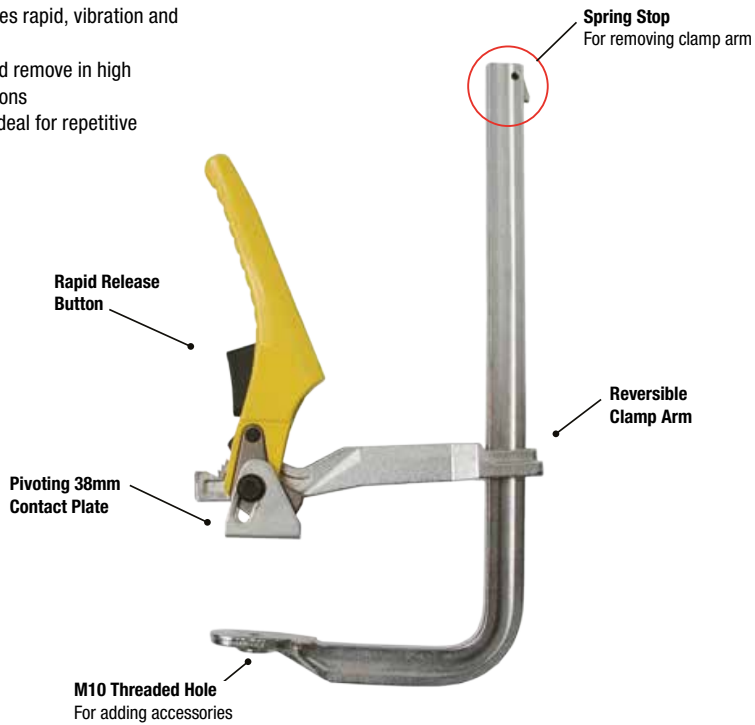
Instantly adjusts for different shapes – round, flat and angle steel surfaces



Part No.	Capacity	Throat Depth	Tapped Hole	Clamping Pressure	Weight	Qty
UDV45M	75 mm	83 mm	M8	227 kg	0.5 kg	1-20
UDV65M	115 mm	83 mm	M8	227 kg	0.5 kg	1-15

Hatchet Action Utility Clamps

- Ratchet mechanism ensures rapid, vibration and torsion resistant clamping
- Quick to setup, unlock, and remove in high volume clamping applications
- Even clamping pressure. Ideal for repetitive clamping setups

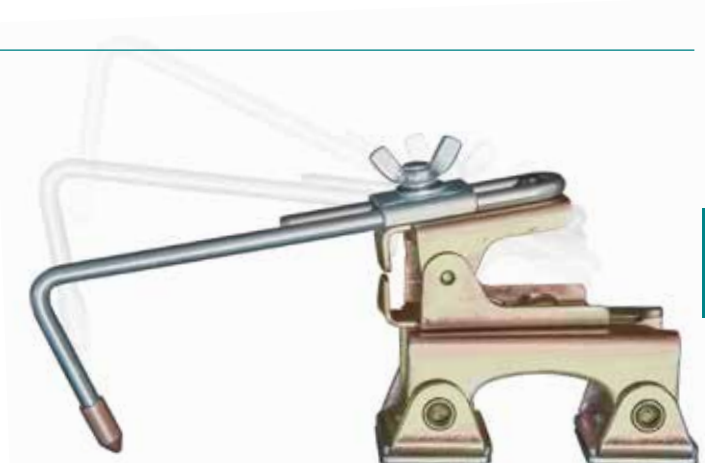


Part No.	Capacity	Rail Size	Clamping Pressure	Weight	Qty
UF65RM	180 mm	22 x 11 mm	454 kg	1.2 kg	1-10
UF100RM	254 mm	22 x 11 mm	454 kg	1.3 kg	1-10
UG85RM	216 mm	25 x 12 mm	544 kg	1.6 kg	1-8
UG125RM	318 mm	25 x 12 mm	544 kg	2.2 kg	1-8

Grasshopper – Magnetic Model

Spring-loaded arm self adjusts for repetitious work holding

- Pinpoint holding provides maximum clearance for tack welds
- Adjustable V-Pad Base adapts to round, square, flat and angled surfaces



Part No.	Length	Width x Height	Max. Pull	Weight	Qty
AGH230	203 mm	100 x 100 mm	15 kg	0.5 kg	1-14

Adjust-O Magnet Squares **MSA46-HD & MSA48-HD**



- The fast and easy way to hold workpieces at 45° and 90°
- Turn the magnet OFF while setting up, turn ON when you're ready to work
- Ideal for round and square tubing, angle and flat stock
- Heavy duty

Multi-Angle Magnet **MS346C**



- 30°/60° edge, with the standard 45° and right angles
- Large centre hole for easier handling
- Two riveted holes for linking magnets together

Part No.	Descriptions	Dimensions	Max. Pull	Weight	Qty
MSA46-HD	45° & 90°	111 x 95 x 29 mm	40 kg	0.7 kg	1-16
MSA48-HD	45° & 90°	152 x 130 x 35 mm	75 kg	1.4 kg	1-8
MS346C	30°/60°, 45°, 90°	113 x 98 x 23 mm	40 kg	0.8 kg	1-20

Corner Magnet **MST327**



- Create 90° corners by holding frames from the outside, providing an unobstructed area for inside tack welds
- One side corner 'relief' provides clearance for tall lips or other obstacles

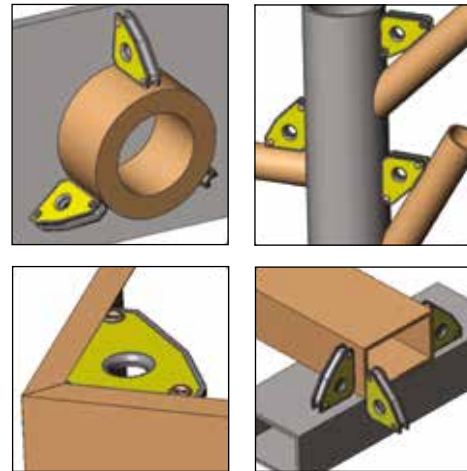
90° Dual Switch Magnets **MS2-80 & MS2-90**



- Strong holding force
- Two ON/OFF switches
- Precision machined flat and V-Groove surfaces securely hold flat, round and square workpieces and metal plates

Part No.	Descriptions	Dimensions	Max. Pull	Weight	Qty
MST327	Twin Pack 60° & 90°	83 x 95 x 16 mm	14 kg	0.4 kg	2
MS2-80	Chrome plated body	152 x 152 x 38 mm	55 kg	1.2 kg	1-8
MS2-90	Chrome plated body	152 x 130 x 35 mm	120 kg	2.7 kg	1-4

Mini Magnet Squares



- 30°/ 60° edge, with the standard 45° and right angles
- Large centre hole for easier handling
- Two riveted holes (for 6-32 screws) for linking magnets together

Part No.	Description	Dimensions	Max. Pull	Weight	Qty
MS346AT	Twin Pack 30°/60°, 45°, 90°	59 x 50 x 16 mm	10 kg	0.3 kg	2-45

Inside/Outside Angle Magnets

- Hold stock from the outside, leaving clearance for inside welds, or hold stock from the inside for outside welds
- Use mounting holes to link two magnets together for use as fixturing elements
- Use hex hole on magnet for breakaway leverage
- Hold and position sheet metal, round pipes, square, angled or flat stock
- The Inside / Outside Angle Magnets are constructed from two independent rectangular magnets for consistent, undiminished magnetic force when both sides are attached to workpieces



Part No.	Angles	Height	Width	Thickness	Max. Pull	Weight	Qty
MLDT350 : MLD300 + MLD500 2 piece Combo Pack							
1 piece MLD300	90°, 30°/60°	76 mm	52 mm	14 mm	9 kg	0.5 kg	1
1 piece MLD500	90°, 30°/60°	125 mm	85 mm	18 mm	15 kg		
MLD600	90°, 30°/60°	165 mm	110 mm	20 mm	18 kg	0.8 kg	1
MLA450	30° - 270°	120 mm	120 mm	18 mm	12 kg	0.5 kg	1
MLA600	30° - 270°	156 mm	156 mm	20 mm	15 kg	0.9 kg	1

Stronghand Tools

MARKAL industrial markers offer a wide range of writing implements for the welding and fabrication industry. Here you'll find all you need to write and mark-up on a wide variety of surfaces from smooth, rough and rusty to oily and dirty. The range offers fast-drying paint and fine line pencils for all environments.

Paintsticks

The P Paintstik is designed for use in pickling baths or galvanizing operations. The marks completely remove and will not interfere with the zinc coating



As Markal's most versatile and economic marker, the original B Paintstik solid paint marker combines the durability of paint in the convenience of a crayon. The real paint formula has superior marking performance on oily, icy, wet, dry or cold surfaces and is weather and UV-resistant. This Paintstik works on rough, rusty, smooth, or dirty surfaces.

Designed to bleed through solvent- or oil-based primers or painted surfaces, the B-L Paintstik is ideal for structural steel parts or layout work where marks are required to show through a covering coat of paint or primer.



Item	Part No.	Description	Qty
1	2202M	P Paintstik – White. Marks are removed in the galvanizing process	12-144
2	2250M	B Paintstik – White. Original marker for rough, rusty, smooth, or dirty surfaces	12-144
3	2251M	B Paintstik – Yellow. Original marker for rough, rusty, smooth, or dirty surfaces	12-144
4	2252M	B Paintstik – Black. Original marker for rough, rusty, smooth, or dirty surfaces	12-48
5	2253M	B Paintstik – Blue. Original marker for rough, rusty, smooth, or dirty surfaces	12-48
6	2254M	B-L Paintstik – Blue. Bleeds through primers; visible on steelwork	12-48

Quik Stick & Quik Stick Mini

- Marks on virtually any surface; wet, rough smooth or hot
- Fast-drying vibrant paint marks dry in 5 to 7 minutes
- Airtight, self-storing and self-reshaping cap keeps the marker fresh between uses
- Weather and UV resistant paint for long lasting marks
- Marking range –18°C to 200°C
- Twist turn end to protract or retract paint stick
- Compact plastic holder with clip cap (Quik Stick Mini only)



Item	Part No.	Description	Qty
7	2255M	Quik Stik – Yellow. Solid paint marker in a convenient twist-up, plastic holder	12-96
8	2256M	Quik Stik – White. Solid paint marker in a convenient twist-up, plastic holder	12-96
9	2257M	Quik Stik Mini – White. All the benefits of Quik Stik in compact form. Ideal for fine lines	12-48
10	2258M	Quik Stik Mini – Yellow. All the benefits of Quik Stik in compact form. Ideal for fine lines	12-48

Valve Action Markers

Valve Action is a fast-drying liquid paint marker that provides long-lasting, wear and weather-resistant marks that are safe for almost any surface.

As the most versatile liquid paint marker in the world, the xylene-free paint reduces user health risks and is available in these bold and fluorescent colours for accurate mark identification.



Item	Part No.	Description	Qty
11	2300M	Valve Action Marker – White. Fast-drying liquid paint marker for almost any surface	12-48
12	2301M	Valve Action Marker – Yellow. Fast-drying liquid paint marker for almost any surface	12-48
13	2302M	Valve Action Marker – Black. Fast-drying liquid paint marker for almost any surface	12-48

Ball Paint Markers

Markal Ball Paint Marker is a liquid paint marker using a durable metal-ball tip for writing on hard surfaces. Ideal for identifying fabricated steel and other rough surfaces that are stored in harsh environments, the squeeze bottle meters paint in a thick or thin line for long-lasting marks.

- Durable metal-ball tip resists wear and clogging for long-marking life on rough surfaces
- Non-drip paint formula allows for easy jobsite marking
- Industrial paint withstands harsh environments and weather conditions



Item	Part No.	Description	Qty
14	2200M	3mm Point Ball Paint Marker – White. Metal roller ball for multiple surfaces	12-48
15	2201M	3mm Point Ball Paint Marker – Yellow. Metal roller ball for multiple surfaces	12-48

Dura Ink 20

Dura-Ink markers feature wear-resistant, fast-drying ink and have durable tips and barrels to make these markers ideal for industrial environments.



Item	Part No.	Description	Qty
16	2261M	Dura Ink 20 Retractable – Black. Permanent ink marker allows single-handed use	12-48

Red Riter Welder's Pencil



- Reflective lead illuminates when cutting or welding for improved visibility
- The soapstone alternative: marks resist torch flames, will not rub, burn or blow off
- Durable marks will not scratch or abrade metal surfaces

Item	Part No.	Description	Qty
17	2259M	Red Riter Welders Pencil. Torch-resistant, fine line marking for metal fabrication	12-96
18	2260M	Silver Streak Welders Pencil. Torch-resistant, fine line marking for metal fabrication	12-48

Silver Streak Welder's Pencil



- Highly visible marks illuminate when cutting and welding
- Superior to soapstone in markability and durability, will not rub, burn or blow off surface
- Marks on oily, wet or rusty metals, and will not scratch or abrade surfaces

Industrial Markers & Temperature Indicators

Wrap-A-Round Markers



- Inexpensive tool for marking straight lines around pipe or use as a straight edge
- Made from flexible gasket material and available in two colours with good resistance to high (grey) and low temperatures (black)

Black (350°C) – Part No.	Grey (550°C) – Part No.	Size	Dimensions: Width/Length	Pipe Diameter
J1858	J1867	Medium	3.88" x 4.00'	3.00" x 6.00"
J1859	J1868	Large	3.88" x 6.00'	3.00" x 10.00"
J1860	J1869	Ex-Large	5.00" x 7.00'	4.00" x 12.00"
J1861	J1870	Ex-Large	5.00" x 9.00'	6.00" x 16.00"

Centre Marking Head



J1879 – Standard
J1880 – Jumbo

- For setting of centre lines, establishing angles and marks for butt-ins etc

French Chalk



1359
Flat French Chalk Holder
Qty: 10



1360
Square French Chalk
Qty: 20 Boxes per carton



1361
Flat French Chalk
Qty: 12 Boxes per carton

Tempil Temperature Indicators

World-leading brand in surface temperature measurement, **TEMPILSTIKS** are densely constructed to last longer than other brands – each delivering more than 11,000 15cm marks. The Tempilstik product line has been providing accuracy, confidence and compliance for over 70 years. Economical, accurate temperature indicating stick that melts quickly on any surface at the rated Fahrenheit or Celsius temperature.



To order Tempilstiks use code

TSC***

Replace asterisks with centigrade temperature required.

Eg. TSC050 for 50°C

Qty: 1-10 for stock items

For non-stock items minimum quantity 1 box (10 pieces)