

Safety  
& PPE

11





# Contents

---

<b>PAPR Head Protection</b>	Welding	286-291
	3M Welding	292-315
	Grinding	316-317
	Universal	318
	Cleanspace	319
<b>Air Supplied Head Protection</b>	Honeywell	320-325
	Grinding	326
	Welding/Grinding	327-335
	3M Welding	336-345
<b>Face Protection</b>	Honeywell Welding	346
	Lenses	347
	Face Screens	348
	Honeywell Face Screens, Browguards & Visors	349-350
<b>Eye Protection</b>	Spectacles & Goggles	351-356
<b>Respiratory Protection</b>	3M Masks & Respirators	357-361
<b>Hearing Protection</b>	Defenders	362
	3M Earplugs	363
	Honeywell Ear Plugs	364
<b>Hand Protection</b>	TIG Welding Gauntlets	365
	MIG Welding Gauntlets	366-367
	Rigger Gloves	368
<b>Protective Clothing</b>		369-371
<b>Flame Retardant Clothing</b>		372
<b>Workplace Protection</b>		373-376

## Stealth-XG Welding/Grinding Helmet & Digi-Air PAPR Combination



Part No.	Description
<b>6044</b>	Welding and Grinding PAPR System
<b>6044BT</b>	Welding and Grinding PAPR System – Blue Tooth

## TRUECOLOUR LENS

### HELMET FEATURES

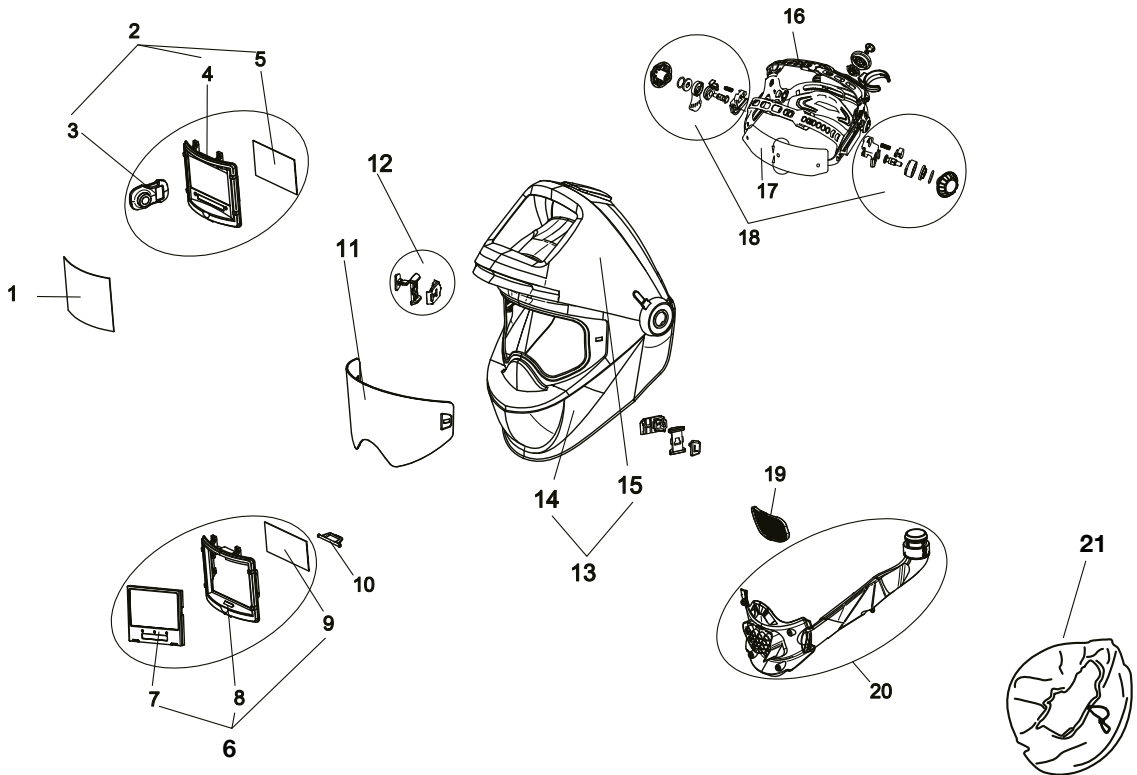
- Lightweight, ergonomic design with high impact resistance material
- Flip up with large clear view for grinding/cutting
- All-around head protection
- Fast and easy switch between Grinding and Welding
- Simple in/out structure for convenient replacement of external cover lens
- User-friendly remote design with wireless interface and OLED display
- Multi-featured interface menu provides easy and quick ADF setting
- Remote can either be locked on helmet or taken off
- Environmentally friendly rechargeable Li-ion battery design
- No battery replacement needed.
- Lightweight, slim compact design to reduce fatigue and increase comfort
- The ADF is 27% thinner and 20% lighter
- Unprecedented true colour technology provides a true visual world
- Supplied with a carrying bag

### ADF LENS FEATURES

CE Classification	1/1/1/1
True Colour	Yes
View Size	100 x 60mm
Arc Sensor	4
Shade Range	4/5-9/9-13
Delay Range	0.1-0.9s
Shade number of POWER OFF state	3.6#
Power On/Off	Fully Automatic
Adjustment Mode	Wireless remote control
Switching Time	0.08ms
Grinding Function	Yes
Cutting Function	Yes, Shade 5#-8# adjustable
Low Battery Indicator	Yes
Low Amperage TIG Rated	3A
Power Supply	Solar cell, Li-ion rechargeable
Certification	CE, ANSI, CSA, AS/NZS
Display	OLED
Mode Setting	Press and Turn
Short Press (<1s)	Shade → Sensitivity → Delay Time
Long Press (>1s)	Welding → Grinding → Cutting
Power Supply	Li-ion rechargeable
Battery Chargeable time	>500 times



### Stealth-XG Welding/Grinding Helmet & Digi-Air PAPR Combination – Spare Parts



#### STEALTH-XG 6044 HEADTOP PARTS LIST

Figure	Part No.	Description
1	3026	Outer protection lens 118 x 97 x 1 mm
2	6044-02	Blue Tooth ADF Set
3	6044-03	Blue Tooth Remote control
4	6044-04	Blue Tooth ADF (without Remote control)
5	6044-05	Inner protection lens 104.5 x 64 x 1 mm
6	6044-06	True Colour ADF Set
7	6044-07	True Colour ADF
8	6044-08	ADF Frame
9	3021	Inner protection lens 105.8 x 65.8 x 1 mm
10	6044-10	ADF Lock
11	6044-11	Grinding visor
12	6044-12	Slider lock unit
13	6044-13	Helmet
14	6044-14	Helmet Shell (A)
15	6044-15	Helmet Shell B
16	6044-16	Headgear
17	6044-17	Sweatband
18	6044-18	Headgear Fasteners
19	6044-19	Dust Screen
20	6044-20	Airduct
21	6044SEAL	Face Seal

#### PAPR PARTS LIST – See page 291 for diagram

Part No.	Description
3044HOSE	Breathing Hose
3044COV	Breathing Hose Cover
3044TEST	Air Flow Tester
3044CHA	Battery Charger
3044HARN	Shoulder Harness
3044BLT	Waist Belt
4044COV	Filter Cover
3044GAU	Gauze Filter
3044PRE	Pre-filter
3044P3	Filter
3044BLOW	Turbo Unit
3044BAT	Rechargeable Battery

Safety & PPE

## Stealth Digi-Air Welding Helmet & Digi-Air PAPR Combination



Part No.	Description
4044	Stealth PAPR System

## TRUECOLOUR LENS

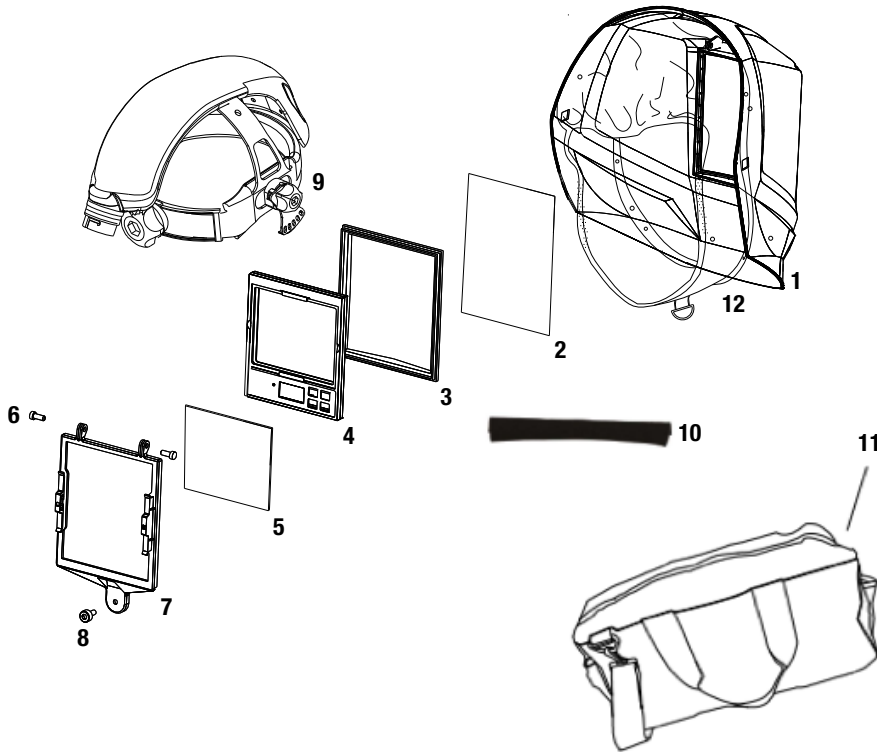
### HELMET FEATURES

- Grinding function with warning flash
- Digital variable shade filter: 5-9 / 9-13
- Cartridge size: 114 x 133mm
- Viewing area: 100 x 83.4mm
- Switching times:  
Light to Dark: 0.08 ms  
Dark to Light: 0.1-0.9 secs
- Four detection sensors offer wider detection of welding arc
- Memory functions for Mig, Tig, MMA
- Adjustable Sensitivity/Delay
- Shell 'B' rated for impact protection
- Polycarbonate lens:  
3025 – 106 x 89.5 (inner)  
1482 – 114 x 133 (outer)
- UV/IR protection up to DIN 15
- Tig welding from 3 amps
- Optical classification: 1/1/1/1
- CE EN175 / EN379
- Low battery warning light
- Includes spare lenses and helmet bag

### PAPR FEATURES

- EN 12941 / TH3 PR SL approval
- Automatically variable air flow control – 170-200-230 l/min
- Auto shutdown in standby mode if unused for 30 minutes
- LCD – Air flow level and data
  - Battery life
  - Filter loading status
- Warning light and audio alarms with vibration for: Filter Block, Low Battery and Overheating
- Noise: Max 73dB
- Dimensions: 240 x 165 x 70 mm (L x W x T)
- Weight: 1370g (including filter, belt and battery)  
1020g (excluding battery)
- Battery operating time: Level 1: >10 hours  
Level 2: >8 hours  
Level 3: >6 hours

## Stealth Digi-Air Welding Helmet & Digi-Air PAPR Combination – Spare Parts



### STEALTH DIGI-AIR 4044 HEADTOP PARTS LIST

Figure	Part No.	Description
1	4044HEAD	Helmet Shell c/w Faceseal + Cartridge
2	1482	Outer Protection Lens
3	4044RET	Lens Retainer
4	3054	Auto Darkening Filter (ADF)
5	3025	Inner Protection Lens
6	3044CLIP	Clip (x2)
7	4039CRAD	ADF Cradle
8	3044SCRE	Srew Fixing Lens Retainer
9	4044BAND	Headgear with Airduct
10	4044SB	Sweatband
11	4044BAG	Carry Bag
12	4044SEAL	Face Seal

### PAPR PARTS LIST – See page 291 for diagram

Part No.	Description
3044HOSE	Breathing Hose
3044COV	Breathing Hose Cover
3044TEST	Air Flow Tester
3044CHA	Battery Charger
3044HARN	Shoulder Harness
3044BLT	Waist Belt
4044COV	Filter Cover
3044GAU	Gauze Filter
3044PRE	Pre-filter
3044P3	Filter
3044BLOW	Turbo Unit
3044BAT	Rechargeable Battery



The Stealth PAPR System is supplied with a carry bag – ideal for transportation and storage of spare parts

## Proline Welding Helmet & PAPR Combination



Part No.	Description
<b>3044</b>	Proline PAPR System

### HELMET FEATURES

- Shade 4-9/13
- Grinding function with warning flash
- Cartridge size: 110 x 90mm
- Viewing area: 97 x 47mm
- Switching times:  
Light to Dark: 0.08 ms  
Dark to Light: 0.1-0.9 secs
- Shell 'B' rated for impact protection
- Two detection sensors
- Adjustable stepless Sensitivity/Delay
- Polycarbonate lens:  
3020 – 104.7 x 53.8 (inner)  
3024 – 110 x 90 (outer)
- UV/IR protection up to DIN 15
- Tig welding from 5 amps
- Optical classification: 1/1/1/2
- CE EN175 / EN379
- Low battery warning light
- Includes helmet bag

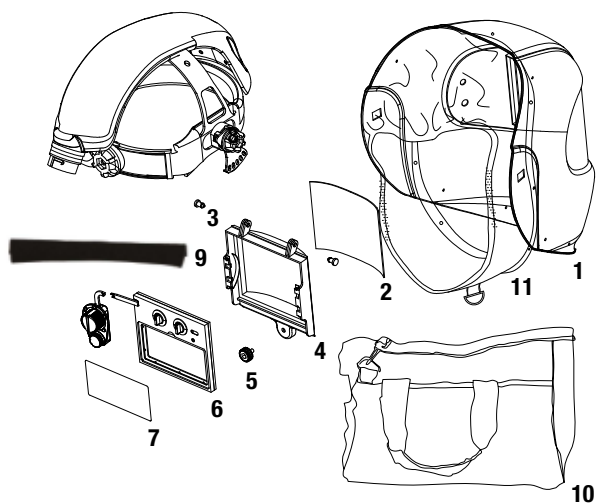
### PAPR FEATURES

- EN 12941 / TH3 PR SL approval
- Automatically variable air flow control – 170-200-230 l/min
- Auto shutdown in standby mode if unused for 30 minutes
- LCD – Air flow level and data
  - Battery life
  - Filter loading status
- Warning light and audio alarms with vibration for:  
Filter Block, Low Battery and Overheating
- Noise: Max 73dB
- Dimensions: 240 x 165 x 70 mm (L x W x T)
- Weight: 1370g (including filter, belt and battery)  
1020g (excluding battery)
- Battery operating time: Level 1: >10 hours  
Level 2: >8 hours  
Level 3: >6 hours



The Proline PAPR System is supplied with a carry bag – ideal for transportation and storage of spare parts

## Proline Welding Helmet – Spare Parts

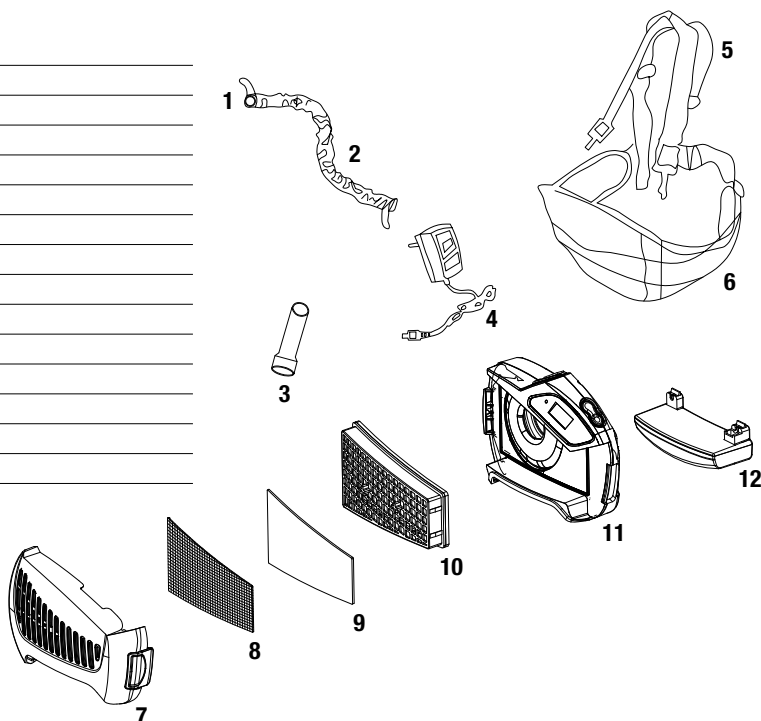


### PROLINE 3044 HEADTOP PARTS LIST

Figure	Part No.	Description
1	3044HELM	Helmet Shell c/w Faceseal
2	3024	Outer Protection Lens
3	3044CLIP	Clip (x2)
4	3039CRAD	ADF Cradle
5	3044SCRE	Screw Fixing Lens Retainer
6	3039	Auto-Darkening Filter (ADF)
7	3020	Inner Protection Lens
8	3044BAND	Headgear with Airduct
9	3044SB	Sweatband
10	3044BAG	Carry Bag
11	3044SEAL	Proline Faceseal

### 3044/4044/5044/6044 PAPR PARTS LIST

Figure	Part No.	Description
1	3044HOSE	Breathing Hose
2	3044HCOV	Breathing Hose Cover
3	3044TEST	Air Flow Tester
4	3044CHA	Battery Charger
5	3044HARN	Shoulder Harness
6	3044BLT	Waist Belt
7	3044COV	Filter Cover – Proline
	4044COV	Filter Cover – Stealth
8	3044GAU	Gauze Filter
9	3044PRE	Pre-filter
10	3044P3	Filter
11	3044BLOW	Turbo Unit
12	3044BAT	Rechargeable Battery

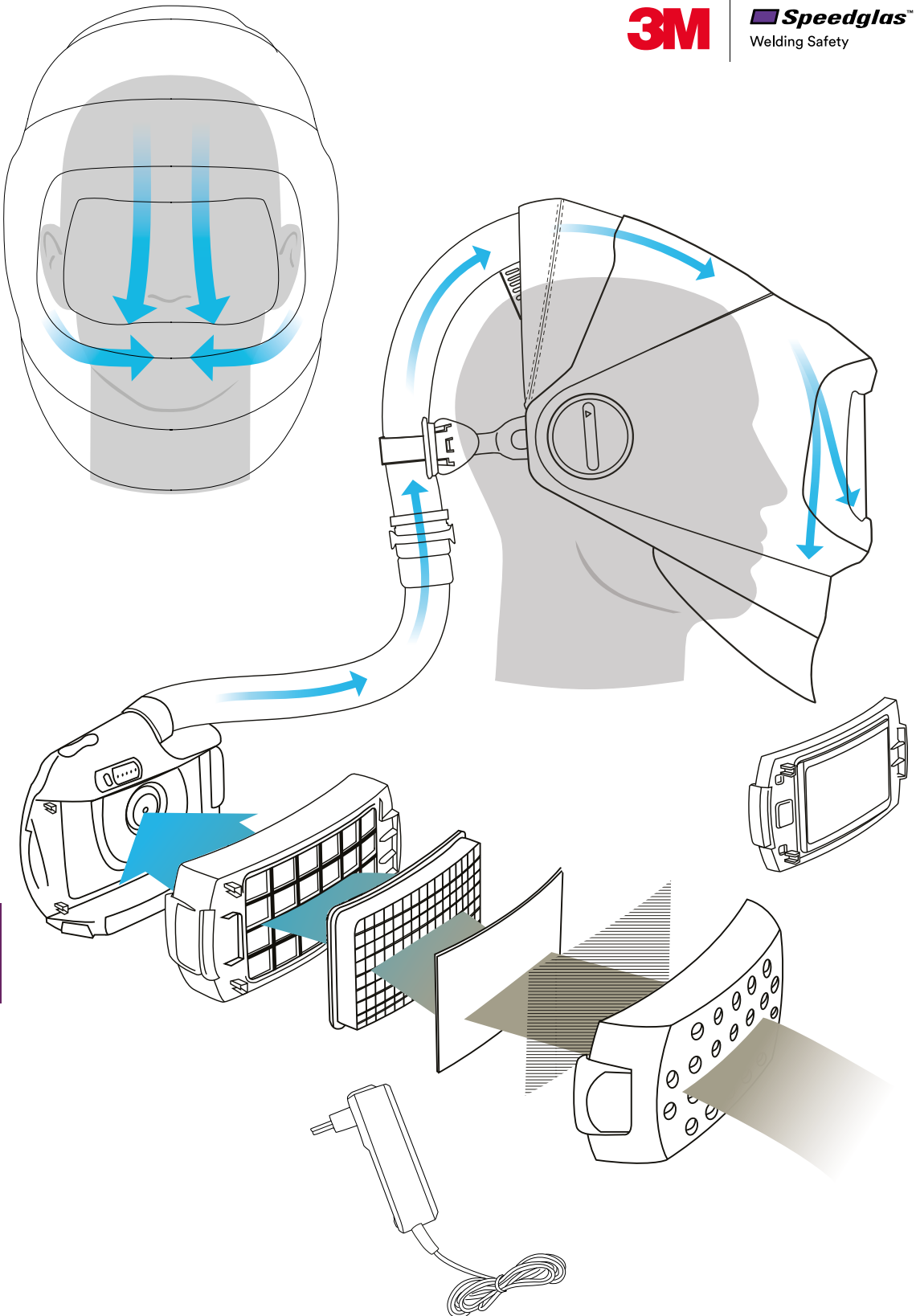


Safety & PPE





**Speedglas™**  
Welding Safety



Safety  
& PPE



## Speedglas™ Heavy Duty Welding Helmet G5-01



The 3M™ Speedglas™ Welding Helmet G5-01 fits both your 3M™ Adflo™ Powered air Respirator as well as the 3M™ Versaflo™ Supplied Air Regulators.

Based on extensive input from welders working on heavy-duty, high-amperage welding and grinding, it's an auto-darkening helmet designed to be as versatile as you are.



### Speedglas Welding Filter G5-01TW

Part No.	Description
<b>61 78 20</b>	<b>Complete powered air system</b> Helmet G5-01 with welding filter G5-01TW and Adflo high altitude respirator
<b>61 78 29</b>	<b>Complete powered air system + consumable starter kit</b> Helmet G5-01 with welding filter G5-01TW, consumable kit (79 20 00) and Adflo high altitude respirator
<b>61 11 20</b>	<b>Upgrade your old powered air system</b> Helmet G5-01 with welding filter G5-01TW

### Speedglas Welding Filter G5-01VC

Part No.	Description
<b>61 78 30</b>	<b>Complete powered air system</b> Helmet G5-01 with welding filter G5-01VC and Adflo high altitude respirator
<b>61 78 39</b>	<b>Complete powered air system + consumable starter kit</b> Helmet G5-01 with welding filter G5-01VC, consumable kit (79 20 00) and Adflo high altitude respirator
<b>61 11 30</b>	<b>Upgrade your old powered air system</b> Helmet G5-01 with welding filter G5-01VC





## Speedglas™ Heavy Duty Welding Helmet G5-01 – Accessories

These accessories are offered so that the G5-01 can be configured to meet individual preferences and application needs.



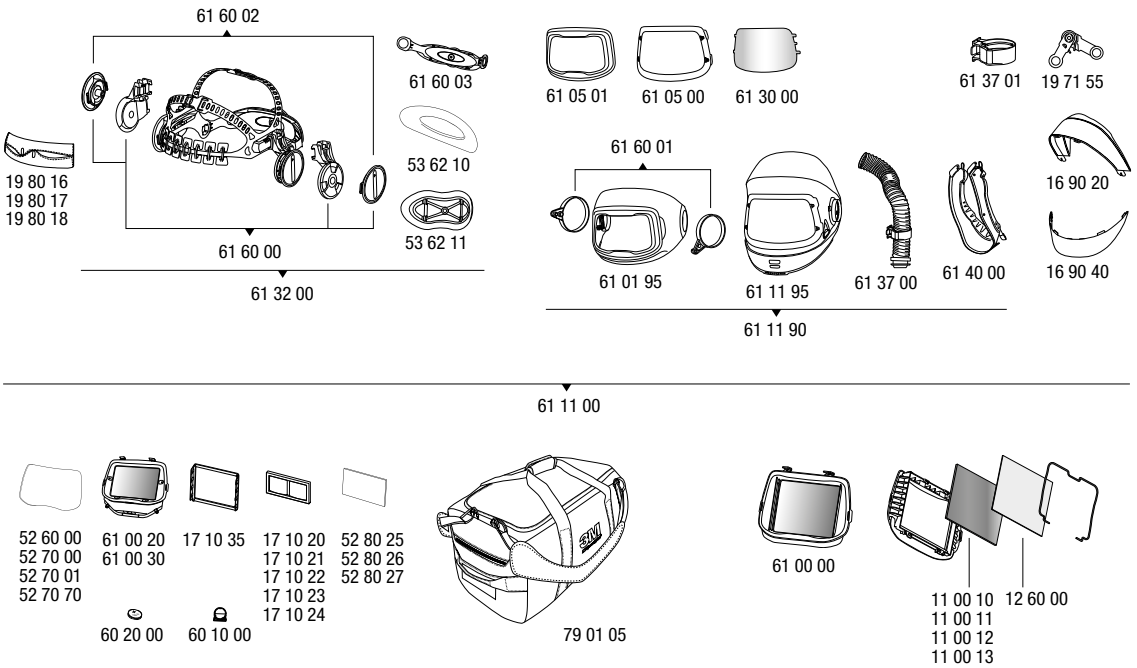
Part No.	Description
16 90 20	Head protection – fabric
16 90 21	Head protection – fluorescent yellow
16 90 22	Head protection – leather
16 90 23	Head protection – fabric (large)
16 90 24	Scrape guard (not shown)
16 90 30	Shroud
16 90 35	Extended cover kit (shroud and large head cover – fabric)
16 90 41	Neck protection – fabric (small)
16 90 42	Neck protection – fabric (large)

Part No.	Description
16 90 43	Neck protection – leather
16 92 00	Task light, including mounting parts and cables
16 92 05	Protection plate for task light, pack of 5
16 92 10	Long power cable for task light
16 92 11	Short power cable for task light
16 92 23	Pouch with Adflo battery for task light when using supplied air regulator (not shown)

Part No.	Description
83 40 18	Flame resistant breathing tube cover (recommended when using the task light)
83 50 20	Braces for respirator
83 71 10	Adflo odour filter
83 71 20	Odour filter pad
83 72 42	Adflo gas filter A1B1E1
83 75 42	Adflo gas filter A2



## Speedglas™ Heavy Duty Welding Helmet G5-01 – Spares & Accessories



Part No.	Description
11 00 10	Passive welding filter lens shade 10
11 00 11	Passive welding filter lens shade 11
11 00 12	Passive welding filter lens shade 12
11 00 13	Passive welding filter lens shade 13
12 60 00	Inner cover plate for passive filter
16 90 20	Head protection – fabric (small)
16 90 40	Neck protection – rigid
17 10 20	Magnifying lens 1.0
17 10 21	Magnifying lens 1.5
17 10 22	Magnifying lens 2.0
17 10 23	Magnifying lens 2.5
17 10 24	Magnifying lens 3.0
17 10 35	Magnifying lens holder
19 71 55	Hinge mechanism, 1 pair
19 80 16	Sweatband – towelling, pack of 3
19 80 17	Sweatband – fleecy cotton, pack of 3
19 80 18	Sweatband – leather
52 60 00	Outer protection plate (standard), pack of 10
52 70 00	Outer protection plate (scratch), pack of 10

Part No.	Description
52 70 01	Outer protection plate (scratch+), pack of 10
52 70 70	Outer protection plate (heat), pack of 10
52 80 25	Inner cover plate, pack of 5
53 62 10	Cushion part for headband G5-01
53 62 11	Large head rest
60 10 00	Battery holder
60 20 00	Battery CR2450
61 00 11	Speedglas passive welding filter kit G5-01 (shade 11)
61 00 20	Speedglas welding filter G5-01TW
61 00 30	Speedglas welding filter G5-01VC
61 01 95	Outer shield
61 05 00	Front cover for inner visor
61 05 01	Front cover for flip-up
61 11 00	Welding helmet G5-01, without welding filter
61 11 90	Welding helmet G5-01, without welding filter, without neck or head protection
61 11 95	Inner shield with airduct and airflow controls (including visor frame)

Part No.	Description
61 30 00	Visor plate, anti-fog and hardcoated, pack of 5
61 32 00	Headband with assembly parts
61 37 00	Air duct breathing tube (short) including holder
61 37 01	Holder for breathing tube
61 40 00	Face seal
61 60 00	Pivot and sliding mechanism, including pivot knobs
61 60 01	Pivot rings for outer shield
61 60 02	Pivot knobs
61 60 03	Headband back part
61 78 00	Helmet G5-01, without welding filter, with Adflo powered air respirator
61 78 09	Helmet G5-01, without welding filter, with Adflo powered air respirator and consumable starter kit
79 01 05	Carry bag
79 20 00	Consumable starter kit G5-01, includes 3 different sweatbands, face seal, visor plate, inner and outer cover plates

Safety & PPE



## Speedglas™ Welding Helmet **9100 FX-AIR** Systems



The Speedglas 9100 FX-AIR Series Welding Shields together with 9100 Series Welding Filters are designed for most welding processes, such as MMA, MIG/MAG, TIG, plasma welding and oxyacetylene welding/cutting. The Speedglas 9100 FX AIR Welding Shield is excellent for welding preparations such as grinding thanks to the large clear viewing area. The Speedglas 9100 FX AIR Welding Shield is designed to be used with 3M Air Delivery Units.

### FEATURES

- Easy to operate and maintain
- Has multiple adjustments for highest comfort on Shield and head band
- Can be used together with many 3M Reusable and Maintenance Free Respirators for welding. (non air version)
- Large Clear Visor
- Side Windows

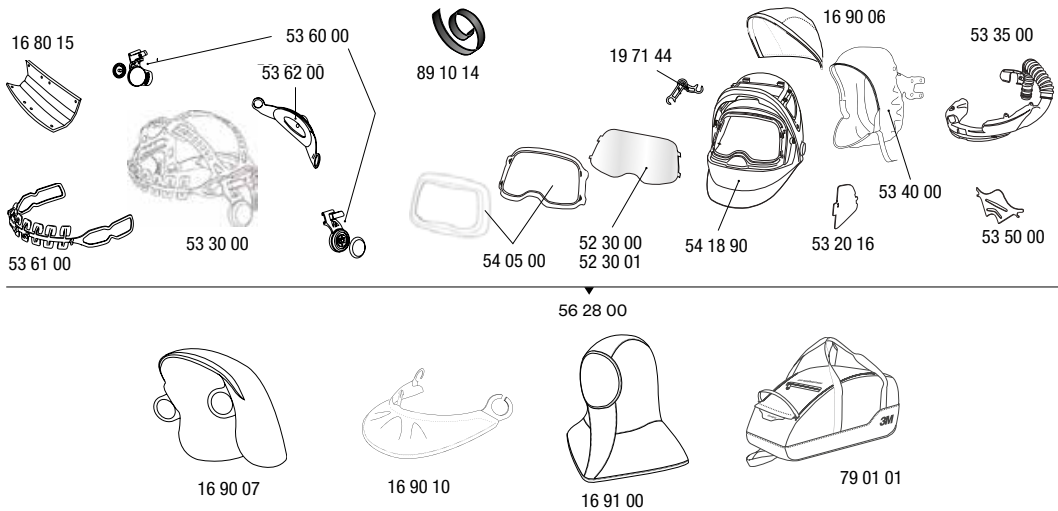
### HELMET SYSTEMS WITH POWERED AIR

Part No.	Description
<b>54 77 00</b>	Without welding filter, with Adflo powered air respirator
<b>54 77 00 + 50 00 15</b>	With Speedglas welding filter 9100X (54 x 107 mm) and Adflo powered air respirator
<b>54 77 00 + 50 00 25</b>	With Speedglas welding filter 9100XX (73 x 107 mm) and Adflo powered air respirator
<b>54 77 26</b>	With Speedglas welding filter kit 9100XXi, including welding filter (73 x 107 mm) and front cover, with Adflo powered air respirator

*Also available with supplied air option*



## Speedglas™ Welding Helmet 9100 FX-AIR Systems – Spares & Accessories



### AUTO-DARKENING FILTER

42 20 00	52 60 00	50 00 05	52 80 05	17 10 20
53 10 00	52 70 00	50 00 15	52 80 06	17 10 21
	52 70 01	50 00 25	52 80 07	17 10 22
	52 70 70	50 00 26	52 80 15	17 10 23
			52 80 16	17 10 24
			52 80 17	
			52 80 25	
			52 80 26	
			52 80 27	

### PASSIVE FILTER

52 60 00	17 10 20	11 00 10	12 60 00
52 70 00	17 10 21	11 00 11	
52 70 01	17 10 22	11 00 12	
52 70 01	17 10 23	11 00 13	
52 70 70	17 10 24		
50 00 01			

Part No.	Description
16 80 15	Comfort sweatband, pack of 3
16 90 06	Head protection (small)
16 90 07	Head protection (large)
16 90 10	Neck protection
16 91 00	Hood
17 10 20	Magnifying lens, 1.0
17 10 21	Magnifying lens, 1.5
17 10 22	Magnifying lens, 2.0
17 10 23	Magnifying lens, 2.5
17 10 24	Magnifying lens, 3.0
19 71 44	Hinge mechanism, 2 pieces
42 20 00	Battery CR2032 Lithium 3V, pack of 2
50 00 05	Speedglas welding filter 9100V
50 00 15	Speedglas welding filter 9100X
50 00 25	Speedglas welding filter 9100XX
50 00 26	Speedglas welding filter 9100XXi
52 30 00	Visor plate, standard, pack of 5
52 30 01	Visor plate, anti fog, pack of 5
52 60 00	Outer protection plate, standard, pack of 10
52 70 00	Outer protection plate, scratch resistant, pack of 10

Part No.	Description
52 70 01	Outer protection plate, extra scratch resistant, pack of 10
52 70 70	Outer protection plate, heat resistant, pack of 10
52 80 05	Inner cover plate for 9100V filter, pack of 5. Plate marking 117 x 50
52 80 06	Inner cover plate, +1 shade for 9100V filters, pack of 3
52 80 07	Inner cover plate, +2 shade for 9100V filters, pack of 3
52 80 15	Inner cover plate for 9100X filter, pack of 5. Plate marking 117 x 61
52 80 16	Inner cover plate, +1 shade for 9100X filter, pack of 3
52 80 17	Inner cover plate, +2 shade for 9100X filter, pack of 3
52 80 25	Inner cover plate for 9100XX/9100XXi filters, pack of 5. Plate marking 117 x 77
52 80 26	Inner cover plate, +1 shade for 9100XX/9100XXi filters, pack of 3
52 80 27	Inner cover plate, +2 shade for 9100XX/9100XXi filters, pack of 3
53 10 00	Battery holder, pack of 2

Part No.	Description
53 20 16	Side windows cover plate, 2 pairs
53 30 00	Headband with assembly parts
53 35 00	Air duct
53 40 00	Air seal
53 50 00	Air deflector parts
53 60 00	Pivot mechanism, left and right
53 61 00	Headband, front part
53 62 00	Headband, back part
54 05 00	Front cover kit
54 18 90	Helmet without welding filter, without face seal, without air duct, without headband
54 28 00	Helmet without welding filter, with headband
79 01 01	Product storage bag
89 10 14	Velcro for head cover, pack of 2
89 10 15	9100 FX Air service kit (not shown)

Safety & PPE



## Speedglas™ Welding Helmet **9100 AIR** Systems



The Speedglas 9100 AIR Series Welding Shields together with 9100 Series Welding Filters are designed for most welding processes, such as MMA, MIG/MAG, TIG, plasma welding and oxyacetylene welding/cutting. The Speedglas 9100 FX Welding Shield is excellent for welding preparations such as grinding thanks to the large clear viewing area. The Speedglas 9100 Air Welding Shield is designed to be used with 3M Air Delivery Units.

### FEATURES

- Easy to operate and maintain
- Has multiple adjustments for highest comfort on Shield and head band
- Can be used together with many 3M Reusable and Maintenance Free Respirators for welding. (non air version)
- Large Clear Visor
- Side Windows

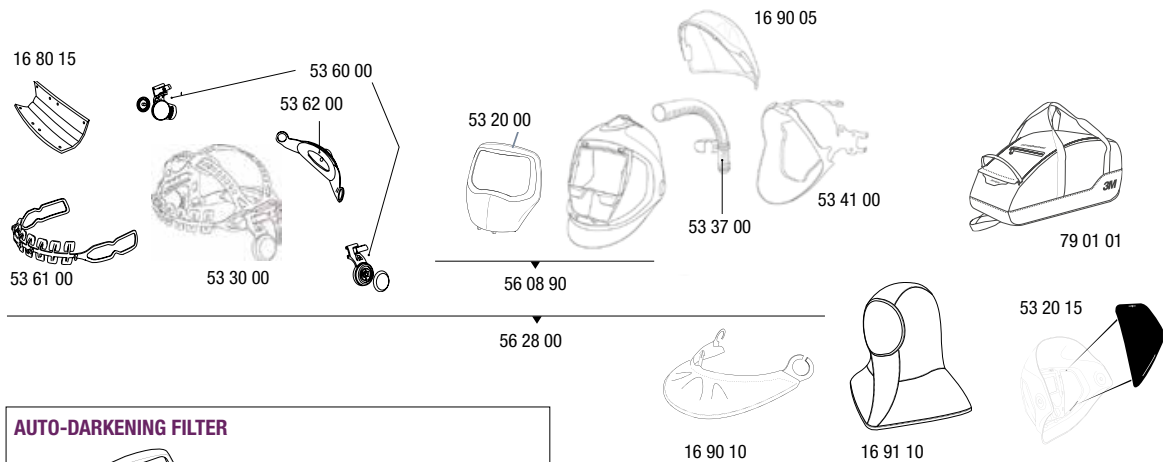
### HELMET SYSTEMS WITH POWERED AIR

Part No.	Description
<b>56 77 00</b>	Without welding filter, with Adflo powered air respirator
<b>56 77 00 + 50 00 25</b>	With Speedglas welding filter 9100X (54 x 107 mm) and Adflo powered air respirator
<b>56 77 25</b>	With Speedglas welding filter 9100XX (73 x 107 mm) and Adflo powered air respirator
<b>56 77 26</b>	With Speedglas welding filter kit 9100XXi, including welding filter (73 x 107 mm) and front cover, with Adflo powered air respirator

*Also available with supplied air option*



## Speedglas™ Welding Helmet 9100 AIR Systems – Spares & Accessories



### AUTO-DARKENING FILTER

50 01 26

50 00 05

50 00 15

50 00 25

50 00 26

52 60 00

52 70 00

52 70 01

52 70 07

52 80 05

52 80 06

52 80 07

52 80 15

52 80 16

52 80 17

52 80 25

52 80 26

52 80 27

17 10 20

17 10 21

17 10 22

17 10 23

17 10 24

### PASSIVE FILTER

50 00 01

11 00 10

11 00 11

11 00 12

11 00 13

12 60 00

17 10 20

17 10 21

17 10 22

17 10 23

17 10 24

52 60 00

52 70 00

52 70 01

52 70 07

Part No.	Description
16 80 15	Comfort sweatband, pack of 3
16 90 05	Head protection
16 90 10	Neck protection
16 91 10	Hood
17 10 20	Magnifying lens, 1.0
17 10 21	Magnifying lens, 1.5
17 10 22	Magnifying lens, 2.0
17 10 23	Magnifying lens, 2.5
17 10 24	Magnifying lens, 3.0
42 20 00	Battery CR2032 Lithium 3V, pack of 2
50 00 05	Speedglas welding filter 9100V
50 00 15	Speedglas welding filter 9100X
50 00 25	Speedglas welding filter 9100XX
50 00 26	Speedglas welding filter 9100XXi
50 01 26	Speedglas welding filter kit 9100XXi (including front cover and welding filter)
52 60 00	Outer protection plate, standard, pack of 10
52 70 00	Outer protection plate, standard, scratch resistant, pack of 10
52 70 01	Outer protection plate, extra scratch resistant, pack of 10

Part No.	Description
52 70 70	Outer protection plate, heat resistant, pack of 10
52 80 05	Inner cover plate for 9100V filter, pack of 5. Plate marking 117 x 50
52 80 06	Inner cover plate, +1 shade for 9100V filters, pack of 3
52 80 07	Inner cover plate, +2 shade for 9100V filters, pack of 3
52 80 15	Inner cover plate for 9100X filter, pack of 5. Plate marking 117 x 61
52 80 16	Inner cover plate, +1 shade for 9100X filter, pack of 3
52 80 17	Inner cover plate, +2 shade for 9100X filter, pack of 3
52 80 25	Inner cover plate for 9100XX/9100XXi filters, pack of 5. Plate marking 117 x 77
52 80 26	Inner cover plate, +1 shade for 9100XX/9100XXi filters, pack of 3
52 80 27	Inner cover plate, +2 shade for 9100XX/9100XXi filters, pack of 3
53 10 00	Battery holder, pack of 2
53 20 00	Heat-reflecting front cover 9100
53 20 15	Side windows cover plate, 2 pairs

Part No.	Description
53 21 00	Heat-reflecting front cover 9100XXi
53 30 00	Headband with assembly parts
53 37 00	Air duct
53 41 00	Face seal
53 60 00	Pivot mechanism, left and right
53 61 00	Headband, front part
53 62 00	Headband, back part
56 08 90	Speedglas welding helmet 9100 Air without headband, without air duct, without face seal, without welding filter
56 28 00	Speedglas welding helmet 9100 Air, without welding filter
79 01 01	Product storage bag

Safety & PPE



## Speedglas™ Welding Helmet **9100 MP & 9100 MP-LITE**

Helmet systems with powered air – 3M Speedglas Welding Helmet **9100 MP**

- Multi Protection – 5 levels of protection: eye, face, head (safety helmet), respiratory and optional hearing protection

Helmet systems with supplied air – 3M Speedglas Welding Helmet **9100 MP-Lite**

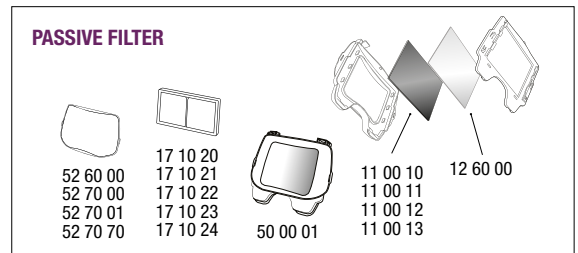
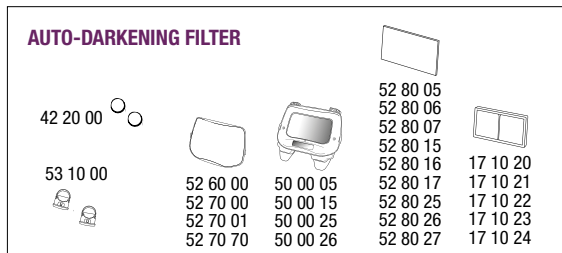
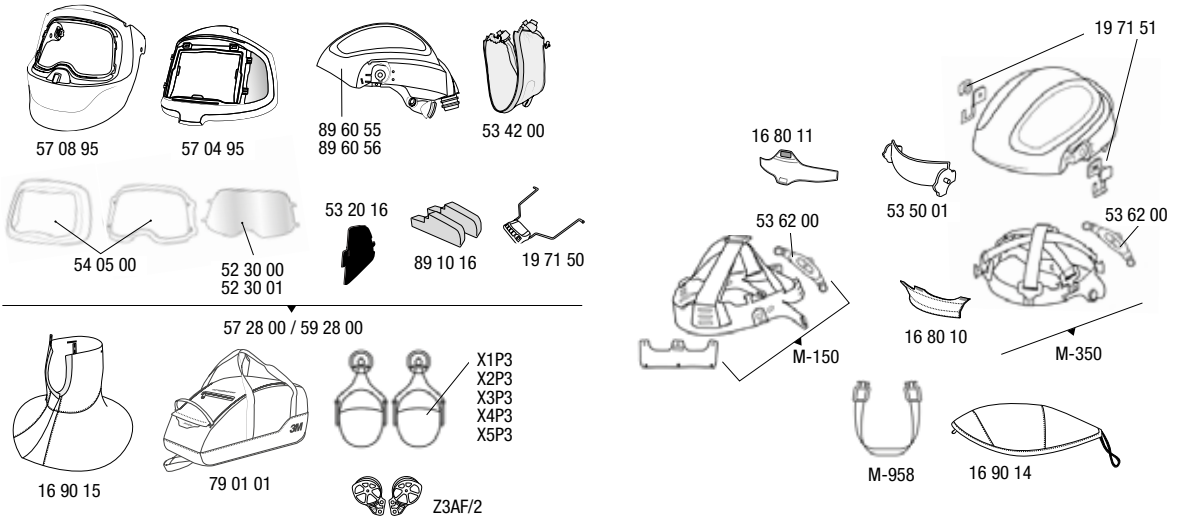
- Multi Protection – 5 levels of protection: eye, face, head (bump cap), respiratory and optional hearing protection

Part No.	Description
<b>57 77 00</b>	Welding helmet 9100MP without welding filter, with Adflo powered air respirator
<b>59 77 00</b>	Welding helmet 9100MP-Lite without welding filter, with Adflo powered air respirator
<b>57 77 00 + 50 00 15</b>	Welding helmet 9100MP with welding filter 9100X (54 x 107 mm) and Adflo powered air respirator
<b>57 77 00 + 50 00 15</b>	Welding helmet 9100MP welding filter 9100XX (73 x 107 mm) and Adflo powered air respirator
<b>57 77 26</b>	Welding helmet 9100MP welding filter 9100XXi (73 x 107 mm) and Adflo powered air respirator
<b>57 88 00</b>	Welding helmet 9100MP without welding filter, with Versaflow supplied air regulator V-500E





## Speedglas™ Welding Helmet 9100 MP & 9100 MP-LITE – Spares & Accessories



Part No.	Description
16 80 10	Sweatband 9100 MP, pkg of 2
16 80 11	Sweatband 9100 MP-Lite, for TH3 level of protection pkg of 2 (not included in M-150)
16 90 01	Head protection
16 90 14	Safety helmet cover
16 90 15	Shroud
17 10 20	Magnifying lens, 1.0
17 10 21	Magnifying lens, 1.5
17 10 22	Magnifying lens, 2.0
17 10 23	Magnifying lens, 2.5
17 10 24	Magnifying lens, 3.0
19 71 50	Flip-up mechanism
19 71 51	Pivot kit
42 20 00	Battery CR2032 Lithium 3V, pack of 2
50 00 05	Speedglas welding filter 9100V
50 00 15	Speedglas welding filter 9100X
50 00 25	Speedglas welding filter 9100XX
50 00 26	Speedglas welding filter 9100XXi
52 30 00	Visor plate, standard, pack of 5
52 30 01	Visor plate, anti fog, pack of 5
52 60 00	Outer protection plate, standard, pack of 10

Part No.	Description
52 70 01	Outer protection plate, extra scratch resistant, pack of 10
52 70 70	Outer protection plate, heat resistant, pack of 10
52 80 05	Inner cover plate for 9100V filter, pack of 5. Plate marking 117 x 50
52 80 06	Inner cover plate, +1 shade for 9100V filters, pack of 3
52 80 07	Inner cover plate, +2 shade for 9100V filters, pack of 3
52 80 15	Inner cover plate for 9100X filter, pack of 5. Plate marking 117 x 61
52 80 16	Inner cover plate, +1 shade for 9100X filter, pack of 3
52 80 17	Inner cover plate, +2 shade for 9100X filter, pack of 3
52 80 25	Inner cover plate for 9100XX/9100XXi filters, pack of 5. Plate marking 117 x 77
52 80 26	Inner cover plate, +1 shade for 9100XX/9100XXi filters, pack of 3
52 80 27	Inner cover plate, +2 shade for 9100XX/9100XXi filters, pack of 3
53 10 00	Battery holder, pack of 2
53 20 16	Side windows cover plate, 2 pairs

Part No.	Description
53 50 01	Helmet air flow deflector for 9100 MP-Lite
53 62 00	Headband ratchet
54 05 00	Front cover kit
57 04 95	Outer shield
57 08 95	Inner shield
57 28 00	Welding helmet 9100MP, without welding filter
59 28 00	Welding helmet 9100 MP-Lite, without welding filter
89 60 55	Safety helmet 9100 MP, including head suspension and sweatband
89 50 56	Safety helmet 9100 MP-Lite, including head suspension and sweatband.
79 01 01	Product storage bag
M-150	Head suspension for 9100 MP-Lite
M-350	Head suspension for 9100 MP
M-958	Chin strap
X1P3	3M™ Peltor™ Ear Muffs X1 (26 dB)
X1P3	3M™ Peltor™ Ear Muffs X2 (30 dB)
X1P3	3M™ Peltor™ Ear Muffs X3 (32 dB)
X1P3	3M™ Peltor™ Ear Muffs X4 (32 dB)
X1P3	3M™ Peltor™ Ear Muffs X5 (36 dB)

Safety & PPE



## Adflo™ Powered Air Respirator

The Adflo powered air respirator is specifically designed to meet your welding needs. Its continuous airflow provides filtered air that takes much of the heat and sweat out of welding. By using the Adflo respirator, you get both increased protection and comfort all day long.



### FEATURES

- Slim profile and ergonomic design make it easier to go into tight welding spaces and offers the quality and functions you should expect from a robust and easy-to-use respiratory system
- With the right type of filter, the Adflo respirator effectively protects against both particles and gases – all in one system
- Selectively replace either the particle or the gas filter as needed: you don't need to change both filters at the same time
- The new Li-ion batteries makes the turbo more lightweight and balanced for even greater comfort during the full shift
- The airflow is always a constant nominal rate of 170 litres per minute, regardless of the battery's charge or the particle loading of the filter
- For hot, humid jobs, you can increase the airflow to 200 litres per minute by simply pushing the ON button a second time

## Speedglas™ Filter Range

Welding filters for:

9100

9100 FX

9100 MP

9100 MP LITE



Part No.	Description
<b>50 00 01</b>	Passive filter kit 9100 shade 11 (90 x 110 mm)



Part No.	Description
<b>50 00 05</b>	Auto-darkening filter 9100V, variable shade 5, 8, 9-13 (45 x 93 mm)



Part No.	Description
<b>50 00 15</b>	Auto-darkening filter 9100X, variable shade 5, 8, 9-13 (54 x 107 mm)



Part No.	Description
<b>50 00 25</b>	Auto-darkening filter 9100XX, variable shade 5, 8, 9-13 (73 x 107 mm)



Part No.	Description
<b>50 00 26</b>	Auto-darkening filter 9100XXi, variable shade 5, 8, 9-13 (73 x 107 mm)

## Adflo™ Powered Air Respirator

### Respirator without Headtop – Standard Battery



Part No.	Description
<b>83 77 30</b>	Adflo respirator with self adjusting breathing tube QRS, breathing tube adapter, airflow indicator, prefilter, spark arrestor, particle filter, battery, belt and charger

For gas filter configuration we recommend using the Adflo respirator with heavy-duty battery

### Standard Battery



Part No.	Description
<b>83 76 30</b>	Standard battery. Run time: 7-9 hours. Charging time: 4 hours. Compact and lightweight

### Respirator without Headtop – Heavy Duty Battery



Part No.	Description
<b>83 77 31</b>	Adflo respirator with self adjusting breathing tube QRS, breathing tube adapter, airflow indicator, prefilter, spark arrestor, particle filter, heavyduty battery, belt and charger

For gas filter configuration please add these items to above order: 83 72 42 for gas filter A1B1E1, or 83 75 42 for gas filter A2

### Heavy Duty Battery



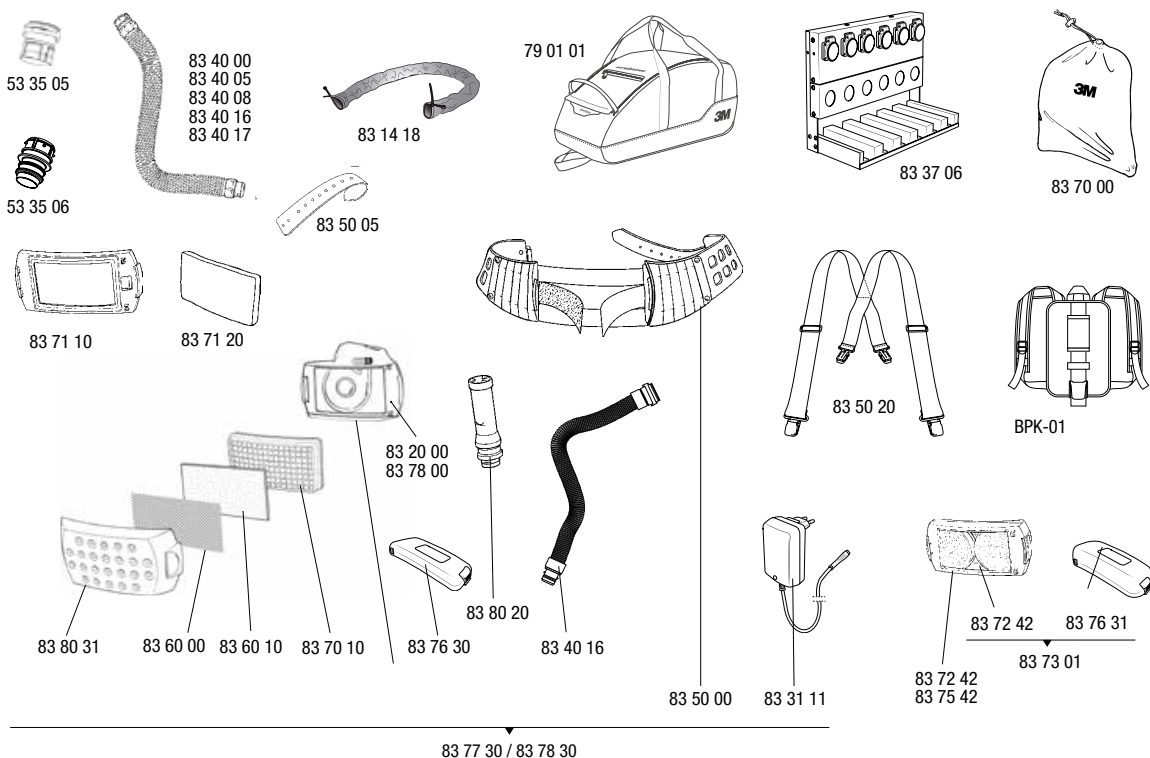
Part No.	Description
<b>83 76 31</b>	Heavy Duty battery. Run time: 10-13 hours. Charging time: 5.5 hours. Compact and lightweight

### Adflo™ Battery Charger Organising Stand



Part No.	Description
<b>83 37 08</b>	The 6-position battery charger organising stand for Adflo battery chargers provides the ability to charge six batteries at the same time, saving both time and hassle. Compatible with legacy NiMH batteries and Li-ion batteries. Flexible installation: either mount on wall or stand-alone
<b>83 37 06</b>	

## Adflo™ Powered Air Respirator – Spares & Accessories



Part No.	Description
53 35 05	Adapter for non-QRS breathing tubes when using Speedglas welding helmet series 9100
53 35 06	Adapter for QRS breathing tubes when using Speedglas welding helmet series 9000
79 01 01	Product carry bag
80 60 20	Back pack
83 20 00	Turbo assembly, without filter, without filter cover
83 31 11	Battery charger for Li-ion batteries
83 37 06	Battery charger organising stand 6-position
83 40 00	Breathing tube, lightweight, non-QRS
83 40 05	Breathing tube, heavy-duty rubber, non-QRS.
83 40 08	Breathing tube with silencer, non-QRS
83 40 16	Breathing tube, self-adjusting (52,5 to 85 cm), with QRS connection
83 40 17	Breathing tube, heavy-duty rubber (80 cm), with QRS connection
83 40 18	Flame resistant breathing tube cover
83 50 00	Belt

Part No.	Description
83 50 05	Front part, belt
83 50 10	Quick connection for belt (not shown)
83 50 20	Braces
83 60 00	Spark arrestor
83 60 10	Prefilter, pack of 5
83 60 80	Prefilter, pack of 80
83 70 00	Storage bag
83 70 10	Particle filter P SL
83 70 12	Particle filter P SL, pack of 2
83 70 20	Particle filter P SL, pack of 20
83 70 80	Particle filter P SL, pack of 80
83 71 10	Odour filter
83 71 20	Odour filter pad
83 74 42	Gas filter A1B1E1
83 73 01	Gas filter kit: A1B1E1 filter and Li-ion heavy-duty battery
83 75 42	Gas filter A2
83 76 30	Li-ion Battery (standard)
83 76 31	Li-ion Battery heavy-duty.
83 78 00	Turbo assembly High Altitude, without filter, without filter cover
83 80 20	Airflow indicator

Part No.	Description
83 80 31	Filter cover black
BPK-01	Back pack

Safety & PPE

## Versaflo™ Headtops

The Versaflo™ M-Series modern, compact and well-balanced Headtops are highly versatile offering integrated protection from a range of respiratory, head, eye, face and hearing hazards. The coated Polycarbonate visor design features a Deflector allowing users to direct the airflow inside the headtop for

increased control and comfort. These Headtops combine excellent peripheral and downward vision with good optical clarity and with fully-adjustable suspension that includes textile straps for optimal fit and weight distribution. Easy To Maintain – Spare parts and accessories are quick, easy and intuitive to replace.



Part No.	Description
<b>M207</b>	<b>FLAME-RESISTANT FACESHIELD</b> 3M™ Versaflo™ M-207 Faceshield offers respiratory, bump-cap, eye and face (EN166 Medium Impact) protection. The helmet features a flame resistant polyester face seal for applications with sparks and hot particles. M-207 helmet meets the performance requirements (TH3) for this type of product when used with specific 3M™ Versaflo™ Air Delivery Units



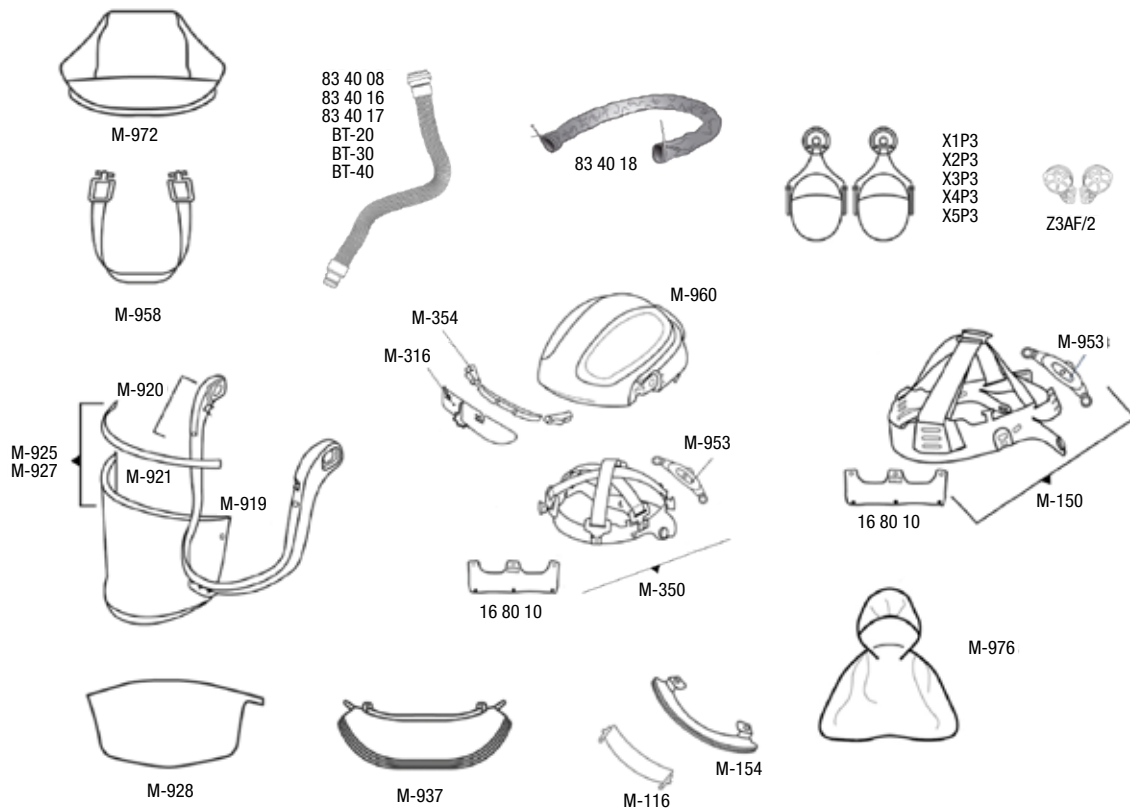
Part No.	Description
<b>M307</b>	<b>HELMET</b> The 3M™ Versaflo™ M-307 Helmet offers respiratory, eye (EN166 Medium Impact) and face protection as well as head protection (EN397), essential for areas where hard hats are mandatory. M-307 features a flame resistant face seal for applications with hot particles

Part No.	Description
<b>M407</b>	<b>HELMET WITH SHROUD</b> Features a flame-retardant shroud for protection against hot particles. Fabric material: Polyaramid. Head protection approved according to EN 397





## Versaflo™ Headtops – Spares & Accessories



Part No.	Description
16 80 10	Sweatband, fleecy cotton, pack of 2
83 40 08	Breathing tube with silencer, non-QRS
83 40 16	Breathing tube, self-adjusting (52,5 to 85 cm), with QRS connection
83 40 17	Breathing tube, heavy-duty rubber, with QRS connection
83 40 18	Flame resistant breathing tube cover
84 77 20	Versaflo faceshield M-107 with Adflo powered air respirator
85 77 20	Versaflo faceshield M-307 with Adflo powered air respirator
BT-20 S&L	Breathing tube, polyurethane (in two lengths), with QRS connection
BT-30	Breathing tube, self-adjusting (52,5 to 85 cm), with QRS connection
BT-40	Breathing tube, heavy-duty rubber, with QRS connection

Part No.	Description
M-116	Airflow deflector (M-107)
M-150	Head suspension (M-107)
M-154	Forehead seal (M-107)
M-316	Airflow deflector (M-307)
M-350	Head suspension (M-307)
M-354	Forehead seal (M-307)
M-920	Visor frame
M-921	Visor gasket
M-925	Visor standard (uncoated), molten metal splash protection to EN166
M-927	Visor coated
M-928	Peel-off visor cover
M-937	Flame resistant face seal
M-953	Ratchet
M-956	Ratchet comfort pad
M-958	Chin strap

Part No.	Description
M-972	Flame resistant headtop cover
M-976	Head, neck and shoulder cover
X1P3	3M™ Peltor™ Ear Muffs X1 (26 dB)
X2P3	3M™ Peltor™ Ear Muffs X2 (30 dB)
X3P3	3M™ Peltor™ Ear Muffs X3 (32 dB)
X4P3	3M™ Peltor™ Ear Muffs X4 (32 dB)
X5P3	3M™ Peltor™ Ear Muffs X5 (36 dB)
Z3AF/2	Helmet assembly parts for Peltor X-series ear muffs, left and right

## Versaflo™ TR-300E+ HIK Ready to Use Starter Kit & Versaflo™ TR-315+ Powered Air Starter Kit

The TR-300E+ HIK (Heavy Industry Kit) is a complete Powered Air Respirator System featuring a powered air turbo and filter designed for particulate respiratory protection and including everything required to get started. This ready-to-use kit provides a simple way to purchase a complete powered air respirator system for use in rugged industrial environments.



### TR-300+ HIK INCLUDES

- M-307 Helmet with Premium Visor and Face Seal
- TR-302E+ Powered Air Turbo
- TR-326 High Durability Belt
- TR-341E Battery Charger and UK Plug
- TR-3712E Filter
- TR-362 Spark Arrestor
- TR-3600 Pre-Filter
- TR-332 High Capacity Battery
- BT-40 Heavy Duty Breathing Tube
- BT-926 High Temperature Breathing Tube Cover
- TR-971 Airflow Indicator

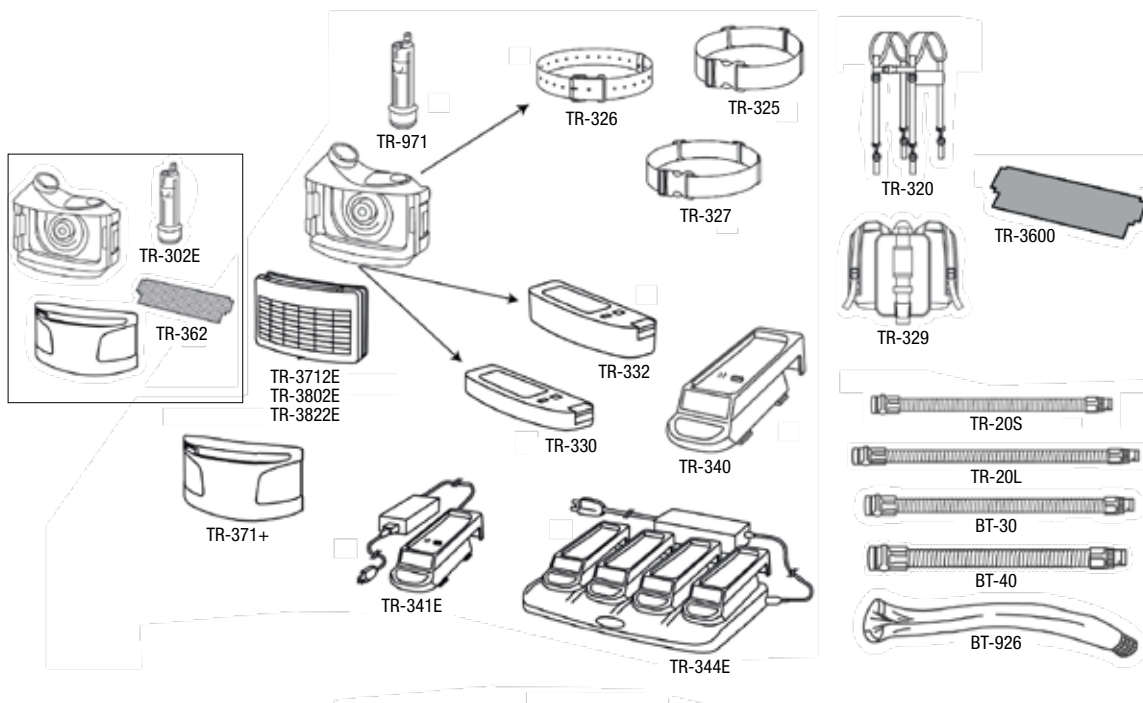
Part No.	Description
<b>TR-300E+HIK</b>	Ready to Use Starter Heavy Industry Kit



This Versaflo™ Starter Kit includes the TR-302E+ Turbo, particulate filter, pre-filter, spark arrestors (x2), standard belt, high capacity battery pack, battery charger kit, self-adjusting breathing tube and airflow indicator.

Part No.	Description
<b>TR-315+</b>	Powered Air Starter Kit

## Versaflor™ TR-300E+ HIK & TR-315+ – Spares & Accessories



Part No.	Description
TR-302E	Versaflor™ Powered Air Turbo Unit (complete with Filter Cover, Spark Arrestors (x2) and Air Flow Indicator)
TR-325	Standard belt
TR-326	Leather belt
TR-327	Easy-clean belt
TR-330	Standard battery pack
TR-332	High capacity battery pack
TR-340	Battery charging cradle
TR-341E	Single station charger kit
TR-344E	4 station battery charging kit
TR-362	Spark arrestor
TR-371+	Replacement filter cover
TR-3600	Pre-filter
TR-3712E	Particulate filter
TR-3802E	P/nuisance level organic vapour filter
TR-3822E	P/HF nuisance level acid gas filter
BT-30	Length adjusting breathing tube
BT-40	Heavy duty rubber breathing tube
BT-926	Breathing tube cover – flame and heat resistant, high durability
BT-20S	Short lightweight breathing tube

Part No.	Description
BT-20L	Long lightweight breathing tube
TR-971	Airflow indicator
TR-329	Braces
BPK-01	Backpack
TR-380	Filter surround gasket

## Versaflo™ TR-600E HIK Ready to Use Starter Kit & Versaflo™ TR-619UK Powered Air Starter Kit

The TR-600E-HIK (Heavy Industry Kit) is a complete Powered Air Respirator System featuring a powered air turbo designed to be used with particulate or gas and vapour filters for respiratory protection and including everything required to get started. This ready-to-use kit provides a simple way to purchase a complete powered air respirator system for use in rugged industrial environments.



### TR-600E HIK INCLUDES

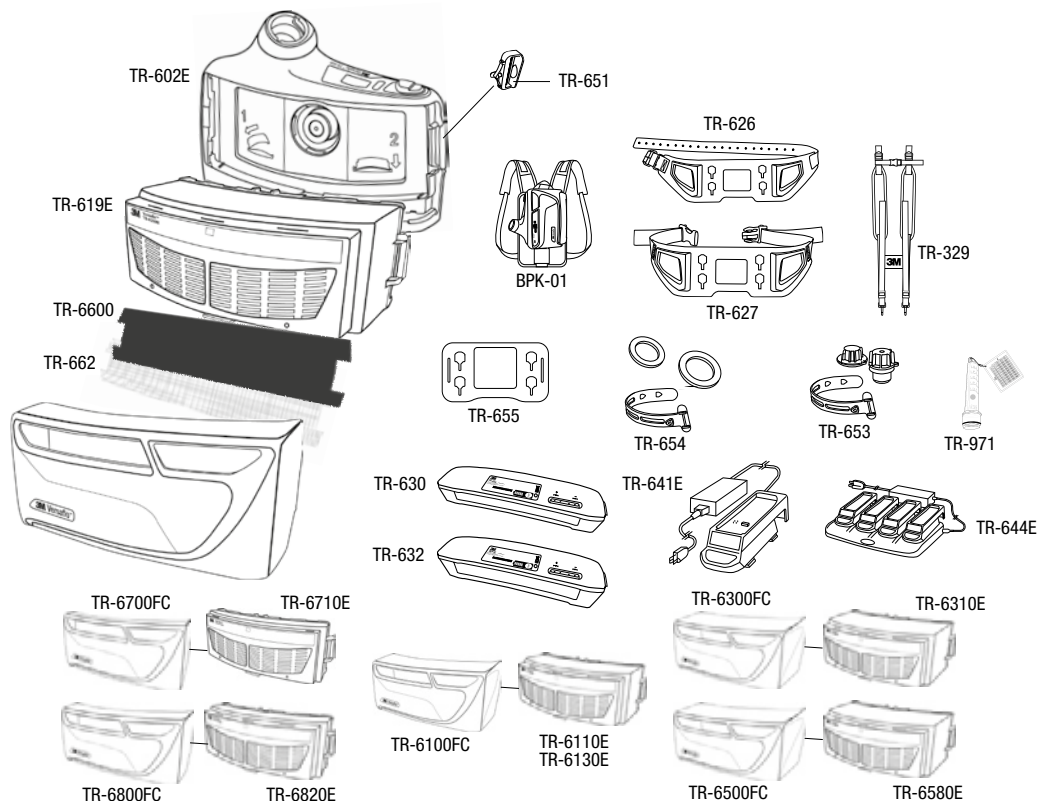
- M-307 Helmet with Premium Visor and Faceseal
- TR-602E Powered Air Turbo
- TR-632 High Capacity Battery
- BT-30 Length Adjusting Breathing Tube
- TR-626 High Durability Belt
- TR-6310E (A2P) Filter
- TR-6300FC Filter Cover
- TR-641E Single Station Battery Charger Kit and UK Plug
- TR-971 Airflow Indicator
- BT-926 High Temperature Breathing Tube Cover,
- TR-6600 Prefilter (x2)
- TR-662 Spark Arrestor (x2)

Part No.	Description
<b>TR-619HIK</b>	Ready to Use Starter Heavy Industry Kit



Part No.	Description
<b>TR-619UK</b>	Powered Air Starter Kit

## Versafl<sup>TM</sup> TR-600E HIK & TR-619UK – Spares & Accessories



Part No.	Description
TR-602E	Powered Air Turbo Unit
TR-619E	Starter Kit includes the TR-602E Turbo, P filter, filter cover, prefilters (x10), spark arrestors (x2), easy clean belt, high capacity battery, single station battery charger kit, BT-30 length adjusting breathing tube and airflow indicator
TR-6700FC	Filter cover
TR-6710E	Particulate filter
TR-6820E	Particulate/Nuisance odour filter
TR-6800FC	Filter cover
TR-6110E	A1P filter
TR-6100FC	Filter cover
TR-6130E	ABE1P filter
TR-6310E	A2P filter
TR-6300FC	Filter cover
TR-6580E	ABE2k1HgP filter
TR-6500FC	Filter cover
TR-630	Standard battery
TR-632	High capacity Battery
TR-640	Battery charger cradle
TR-641E	Single station battery charger kit

Part No.	Description
TR-644E	4-station battery charger kit
TR-626	High durability belt
TR-627	Easy clean belt
TR-6600	Pre-filter
TR-622	Spark Arrestor
TR-651	Filter latch assembly
TR-653	Cleaning and storage kit
TR-654	Cleaning and storage replacement seals
BPK-01	Backpack
TR-655	Backpack adapter
TR-329	Braces
TR-971	Airflow indicator

Safety & PPE

## Versaflor™ TR-800E HIK Ready to Use Starter Kit & Versaflor™ TR-819UK Powered Air Starter Kit

The TR-800E-HIK (Heavy Industry Kit) is a complete Powered Air Respirator System featuring an Intrinsically Safe powered air turbo and including everything required to get started for use in Paint Spray operations. The TR-800 is an ATEX Certified powered air turbo unit that can be used in certain potentially explosive environments.



### TR-800E HIK INCLUDES

- M-307 Helmet with Premium Visor and Faceseal
- Intrinsically Safe TR-802E Powered Air Turbo
- TR-830 Intrinsically Safe Battery
- TR-838 Battery Attachment Tool
- BT-30 Length Adjusting Breathing Tube
- TR-626 High Durability Belt
- TR-6310E (A2P) Filter
- TR-6300FC Filter Cover
- TR-641E Single Station Battery Charger Kit and UK Plug
- TR-971 Airflow Indicator
- BT-926 High Temperature Breathing Tube Cover
- TR-6600 Prefilter (x2)
- TR-662 Spark Arrester (x2)
- TR-653 Storage and Cleaning Kit

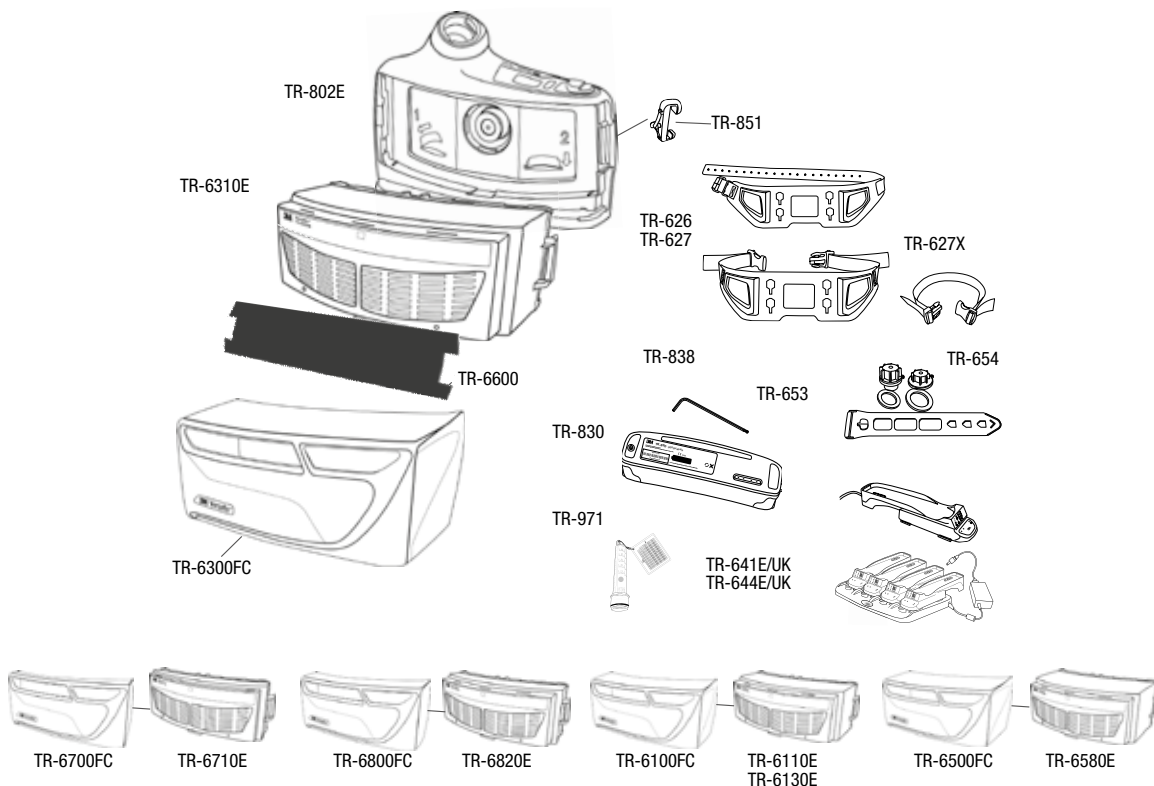
Part No.	Description
<b>TR-819HIK</b>	Ready to Use Starter Kit



Part No.	Description
<b>TR-819UK</b>	Powered Air Starter Kit



## Versafl<sup>TM</sup> TR-800E HIK & TR-819UK – Spares & Accessories



Part No.	Description
TR-6710	Particulate filter
TR-6820E	Particulate filter plus nuisance level organic gases and vapours below WEL (Workplace Exposure Limit), nuisance level acid gases below WEL and hydrogen fluoride gas up to 10 x WEL
TR-6110E	A1P – Organic gases and vapours (bp > 65°C) and particulates
TR-6130E	A1B1E1P – Organic gases and vapours (bp > 65°C), inorganic, acid gases and particulates
TR-6310E	A2P – Organic gases and vapours (bp > 65°C) and particulates
TR-6580E	A2B2E2K1HgP – Organic gases and vapours (bp > 65°C), inorganic, acid gases, ammonia, mercury vapour and particulates
TR-6100FC	Filter cover for TR-6100 series filters
TR-6300FC	Filter cover for TR-6300 series filters
TR-6500FC	Filter cover for TR-6500 series filters
TR-6700FC	Filter cover for TR-6700 series filters
TR-6800FC	Filter cover for TR-6800 series filters
TR-6600	Pre-filter
TR-662	Spark arrestor

Part No.	Description
TR-830	Intrinsically safe battery (includes TR-838 battery attachment tool)
TR-838	Battery attachment tool
TR-641UK	Single station battery charger kit
TR-644UK	4-station battery charger kit
TR-640	Battery charger cradle
TR-626	High durability belt
TR-627	Easy clean belt
TR-627X	Easy clean belt extender
BPK-01	Backpack
TR-655	Backpack adaptor
TR-329	Braces
TR-971	Airflow indicator (for checking TR-600/TR-800 Powered Air Turbo when used with headtops)
TR-973	Airflow indicator (for checking TR-600/TR-800 when used with facepieces)
TR-851	Filter latch assembly
TR-653	Cleaning and storage kit (for TR-600 and TR-800 Powered Air Turbo)
TR-654	Replacement seals (for TR-653 Cleaning and Storage Kit)

Part No.	Description
BT-20 S/L	Lightweight Breathing Tube Small/Medium or Medium/Long
BT-30	Self-adjusting Breathing Tube
BT-40	Heavy duty Breathing Tube
BT-63	Length-adjusting tight fitting breathing tube
BT-64	Heavy Duty tight fitting breathing tube
BT-54	Heavy Duty tight fitting breathing tube
BT-922	Disposable breathing tube cover (for BT-20S/L, BT-30, BT-40 and BT-54)
BT-926	High durability, flames resistant breathing tube cover (for BT-20S/L, BT-30, BT-40 and BT-54)
BT-953	Cleaning and storage kit (for BT-63 and BT-64)
BT-957	Storage plugs (for all BT-Series breathing tubes)

## Versaflor™ Supplied Air Regulators

V-500



Part No.	Description
<b>V-500E</b>	Flow controlled supplied air regulator, including belt

V-100



Part No.	Description
<b>V-100E</b>	Air cooling supplied air regulator, including belt

V-200

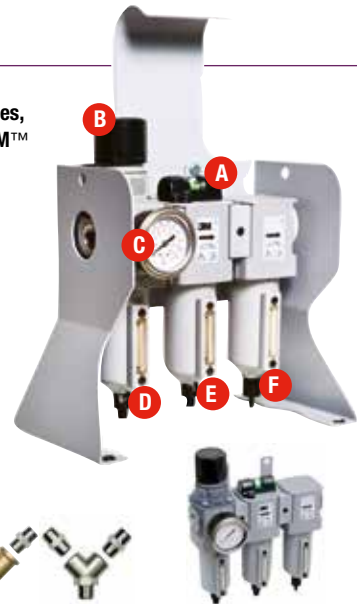


Part No.	Description
<b>V-200E</b>	Air heating supplied air regulator, including belt

## Aircare™ Supplied Air Regulators

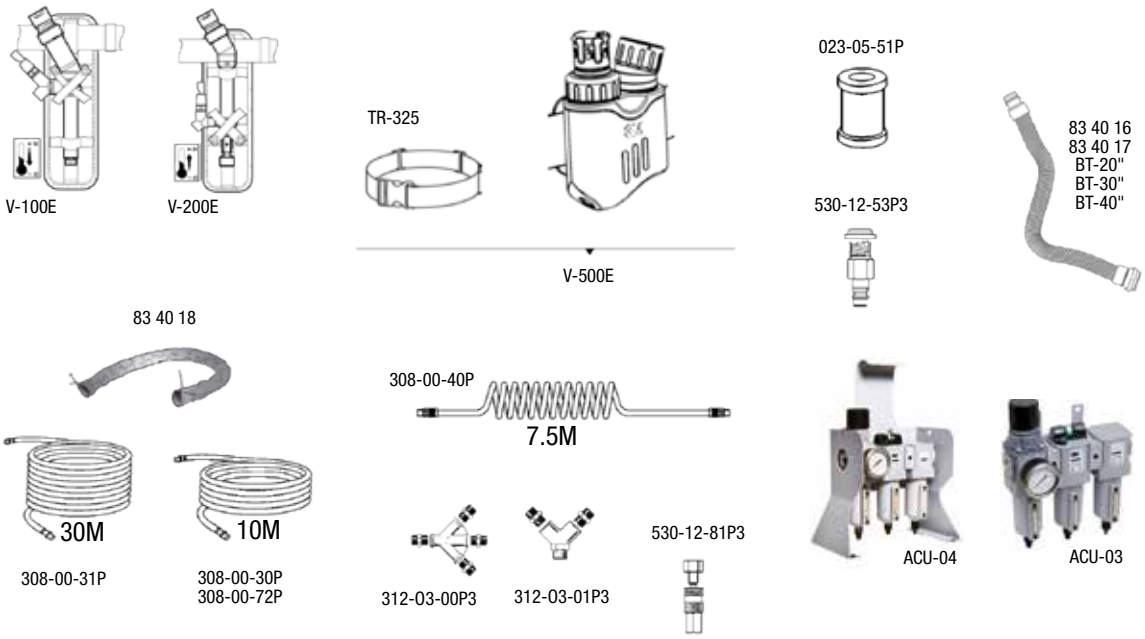
To make the quality of the air supply breathable, oil aerosols, water vapour, particulates, and non-toxic, unpleasant odours must be removed to EN 12021 requirements. The 3M™ Aircare™ Filtration Systems ACU-3 (wall mount) and ACU-4 (floor mount) provide three-stage filtration for up to three users or two users plus an air tool.

- A** Differential pressure indicator
- B** Pressure regulator (lockable)
- C** Pressure gauge
- D** Pre-filter
- E** Semi Auto Drains (stage 1, 2) and Manual Drain (stage 3)
- F** Coalescing filter
- F** Absorber filter with activated charcoal



Select type of regulator	Select Belt Unit Coupling Plug (1/4" BSP)	Select type of Air Supply Tube (Output 3/8" BSP – both ends)	Select Coupling Set for Air Supply Tube (3/8" BSP)	Select type of Branch Set (inc. 3/8" BSP adapters)	Select Air Filtration Unit Input: 1/2" or 3/8" female thread BSP. (2 adapters included – 3/8" BSP to 3/8" male pipe thread BSP. Output: 3/8" BSP.
<b>V-100E</b> Air cooling regulator V-100	<b>530-12-52P3</b> Coupling plug Rectus 25	<b>308-00-30P</b> 10 m standard duty hose	<b>530-12-81P3</b> Coupling set CEJN 342	<b>31-03-00P3</b> 3-way branch set	<b>ACU-03</b> Aircare™ Filtration system (wall mounted)
<b>V-200</b> Air heating regulator V-200	<b>530-12-53P3</b> Coupling plug CEJN 342	<b>308-00-31P</b> 30 m standard duty hose	<b>530-12-82P3</b> Coupling set Rectus 25	<b>530-12-82P3</b> Coupling set Rectus 25	<b>ACU-04</b> Aircare™ Filtration system (standalone)
<b>V-500E</b> Flow controlled regulator V-500		<b>308-00-40P</b> 7.5 m coiled hose			
		<b>308-00-72P</b> 10 m standard duty, anti-static, high temperature hose			

## Versaflor™ Supplied Air Regulators – Spares & Accessories



Part No.	Description
83 40 16	Breathing tube, self-adjusting (52,5 to 85 cm), with QRS connection for Speedglas welding helmets
83 40 17	Breathing tube, heavy-duty rubber (80 cm), with QRS connection for Speedglas welding helmets
83 40 18	Flame resistant breathing tube cover
023-05-51P	Carbon filter
308-00-30P	Standard duty air supply tube, 10 m
308-00-31P	Standard duty air supply tube, 30 m
308-00-40P	Coiled air supply tube, 7.5 m
308-00-72P	Standard duty, anti-static, high temp air supply tube, 10 m
312-03-00P3	3-way manifold
312-03-01P3	2-way manifold
530-12-52P3	Belt unit coupling plug – Rectus 25
530-12-53P3	Belt unit coupling plug – CEJN
530-12-81P3	Socket and plug – CEJN
530-12-82P3	Socket and plug – Rectus
ACU-03	3M™ Aircare™ Filtration System (wall mounted)
ACU-04	3M™ Aircare™ Filtration System (stand alone)

Part No.	Description
BT-20L	Breathing tube with QRS connection, polyurethane (length 96,5 cm), for Versaflor headtops M-Series
BT-20S	Breathing tube with QRS connection, polyurethane (length 73,5 cm), for Versaflor headtops M-Series
BT-30	Breathing tube, self-adjusting (52,5 to 85 cm), with QRS connection, for Versaflor headtops M-Series
BT-40	Breathing tube, heavy-duty rubber (80 cm), with QRS connection, for Versaflor headtops M-Series
TR-325	Belt
V-100E	Versaflor air cooling supplied air regulator V-100E, with belt
V-200E	Versaflor air heating supplied air regulator V-200E, with belt
V-500E	Versaflor flow controlled supplied air regulator V-500E, with belt

## Stealth-G Grinding Helmet & Digi-Air PAPR Combination



Part No.	Description
5044	Grinding PAPR System

### HELMET FEATURES

- Lightweight, stylish and ergonomic design
- High impact resistance polycarbonate visor
- Excellent front and peripheral vision
- All-round head protection

### SHADE 3 LENS AVAILABLE (5023)

- Alternative shade flip-up and inner visor effectively provides UV/IR protection
- Applicable to welding, grinding and cutting
- Fast and easy replacement of flip-up and inner visor

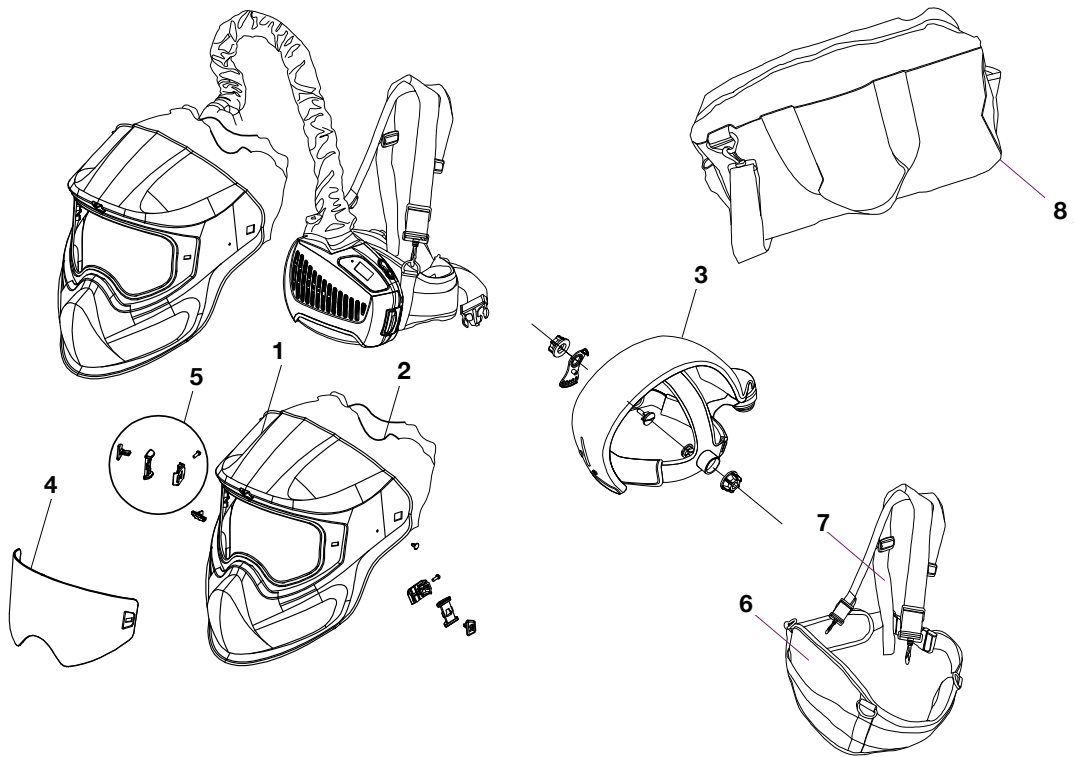


The Stealth Grinding & PAPR System is supplied with a carrying bag – ideal for transportation and storage of spare parts

### PAPR FEATURES

- EN 12941 / TH3 PR SL approval
- Automatically variable air flow control – 170-200-230 l/min
- Auto shutdown in standby mode if unused for 30 minutes
- LCD – Air flow level and data
  - Battery life
  - Filter loading status
- Warning light and audio alarms with vibration for: Filter Block, Low Battery and Overheating
- Noise: Max 73dB
- Dimensions: 240 x 165 x 70 mm (L x W x T)
- Weight: 1370g (including filter, belt and battery)  
1020g (excluding battery)
- Battery operating time: Level 1: >10 hours  
Level 2: >8 hours  
Level 3: >6 hours

### Stealth-G Grinding Helmet & Digi-Air PAPR Combination – Spare Parts



#### STEALTH-G 5044 HEADTOP PARTS LIST

Figure	Part No.	Description
1	5044HEAD	Headtop only including face seal
2	5044SEAL	Face Seal
3	3044BAND	Headgear with Airduct
4	5023	Outer Protection Lens – Shade 3
	6044-11	Outer Protection – Lens Clear
5	5024SEAL	Sealing strip
6	3044BLT	Waist Belt
7	3044HARN	Shoulder Harness
8	4044BAG	Carry Bag

#### PAPR PARTS LIST – See page 291 for diagram

Part No.	Description
3044HOSE	Breathing Hose
3044COV	Breathing Hose Cover
3044TEST	Air Flow Tester
3044CHA	Battery Charger
3044HARN	Shoulder Harness
3044BLT	Waist Belt
4044COV	Filter Cover
3044GAU	Gauze Filter
3044PRE	Pre-filter
3044P3	Filter
3044BLOW	Turbo Unit
3044BAT	Rechargeable Battery

## Momentum Air PAPR with Grinding Visor

The Momentum Air PAPR (Powered Air Purifying Respirator) system combined with the Grinding Visor helmet, offers heavy duty protection whilst grinding.



Part No.	Description
<b>UN2001</b>	Momentum Air PAPR unit complete with grinding visor

### FEATURES

- User adjustable air flow 180/210 L/min
- Li Ion battery pack (up to 8 hour duration @ 210L/min)
- P3 filter and pre-filter
- International intelligent charger (interchangeable pins)
- Audio/visual blocked filter and low battery alarms
- LED air flow indicator
- Supplied with comfort pad
- CE EN 12941 TH3P with Momentum Air

### Grinding Visor with Momentum PAPR – Assembly and Spares

Part No.	Description
UN2000-GRSTD	Grinding Visor – Standard Helmet
UN2000-BL	Momentum PAPR Unit complete
UN2000-10	Grinding Visor UV/IR Lens Shade 3
UN2000-11	Grinding Visor Helmet Replacement Transparent Lens
UN2000-12	Grinding Visor UV/IR Lens Shade 5
UN2000-13	Grinding Visor Helmet Face and Head Seal
UN2000-16	Grinding Visor Brow Guard
UN2000-17	Concept Hard Hat
UN2000-18	Grinding Visor Hard Hat adapter (spring)
UN2000-19	Grinding Visor Headgear (prepared for air)
UN2000-20	Grinding Visor Headgear (standard)
UN2000-21	Grinding Visor Helmet sweatband and back soft pad

### MOMENTUM AIR – Assembly and Spares

Part No.	Description
UN1000-02	Sweatband (pack 2)
UN1000-03	Front cover lens (pack 10)
UN1000-04	Inside cover lens (pack 10)
UN1000-05	Lens retainer with screws
UN2000-01	Horizon face seal
UN2000-02	Horizon headgear with air duct
UN2000-03	Air hose 850mm
UN2000-04	Proban hose cover
UN2000-05	Comfort pad including waist belt
UN2000-06	Intelligent charger
UN2000-07STD	Standard battery (Lithium Ion)
UN2000-07HD	Heavy duty battery (Lithium Ion)
UN2000-08	P3 filter
UN2000-09	Pre-filter (pack of 5)
UN2000-09C	Carbon filter
UN2000-H	Horizon headtop only



### Powered Air Purifying Respirator

This CleanSpace positive pressure respirator has been designed to be simple and quick to use. There are no belt mount battery packs, hoses or cables. Whether workers have to use it for five minutes or 10 hours, CleanSpace is an intuitive and easy system with a quick snap lock design. Few parts and no hoses to get snagged on equipment, the CleanSpace can be worn with any welding shield, hard hat, cap or hood allowing workers to move easily between workplaces. Also ideal for protecting visiting personnel from fumes whilst attending a welding environment to inspect or manage the site.

#### FEATURES

- P3/TM3 protection
- Lightweight (500g) and compact
- Compatibility with PPE
- No hoses, cables or belt mounted battery packs
- Portacount fit testing
- Up to 8 hours run time
- Few parts and low inventory
- No servicing or maintenance
- Particulate and gas filters available

#### CLEANSPACE2

Part No.	Description
<b>PAF-0034</b>	Complete System (mask not included – see below)
PAF-0033	Face Mask – Small
PAF-1010	Face Mask – Medium
PAF-0027	Face Mask – Large



#### SPARE PARTS

Part No.	Description
PAF-0035	Particulate filter – EN12942 TM3P HEPA (3)
PAF-0036	Pre filter (10)
PAF-0037	High capacity filter P3 HEPA
PAF-0038	Adaptor for high cap and gas filters
PAF-0051	ABE-P3 filter & PAF-0038 Filter adaptor to cover stainless welding applications

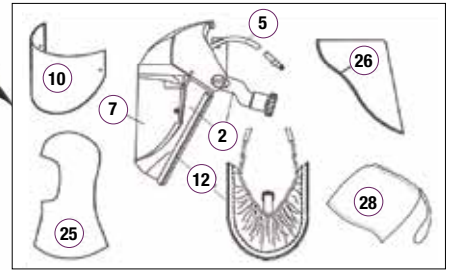


Safety & PPE

## Airvisor 2 MV



Complete assemblies ready to use with a supply of breathable quality compressed air in conjunction with Clearflow filter systems. All kits include a waistbelt unit with integral low flow warning device, quick release connectors, a visor assembly with a secure fitting headband, fabric head cover, storage bag and instructions for use.



### AIR-SUPPLIED RESPIRATOR KITS

**1013938**  
**DMAK-0021E AIRVISOR 2 MV SPRAY PAINTING KIT**  
 Complete with acetate chemical resistant visor, spraygun air hose with quick release connectors, fabric face seal cassette, two disposable visor covers, fabric balaclava, head / neck cover, storage bag, waistbelt complete (DAVV-1001E) includes integral low flow warning device, tested and certified to EN14594:2005 Class 4A

**1013939**  
**DMAK-0023E AIRVISOR 2 MV CHEMICAL KIT**  
 Complete with acetate chemical resistant visor, one fabric face seal cassette, two disposable visor covers, head / neck cover, storage bag, waistbelt complete (DAVV-1003E) includes integral low flow warning device, tested and certified to EN14594:2005 Class 4A

**1013980**  
**DMAK-0024E AIRVISOR 2 MV INDUSTRIAL KIT**  
 Complete with polycarbonate impact resistant visor, fabric face seal cassette, two disposable visor covers, head / neck cover, storage bag, waistbelt complete (DAVV-1003E) includes integral low flow warning device, tested and certified to EN14594:2005 Class 4A

### REPLACEMENT HEADPIECES

**1013981**  
**DMAK-0071E AIRVISOR 2 MV**  
 Headpiece only, with acetate chemical resistant visor; as supplied with DMAK-0021E and DMAK-0023E

**1013982**  
**DMAK-0072E AIRVISOR 2 MV**  
 Headpiece only, with polycarbonate impact resistant visor; as supplied with DMAK-0024E



### SPARES & ACCESSORIES

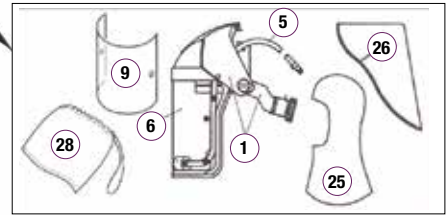
1028822	2	Replacement browguard and frame for Airvisor 2 MV models
1028825	5	Air supply tube, diffuser and connector for Airvisor 2 MV models
1001774	7	DTVS-1503/5 Replacement polycarbonate visor
1001775	7	DTVS-1504/5 Replacement acetate visor
1028870		Visor sealing strips for use with replacement visors for Airvisor 2 MV
1001778	10	DTVS-1507/10 Spare MV visor covers
1001779	10	DTVS-1508/50 Spare MV visor covers
1013994	12	Spare fabric cassette for Airvisor 2 MV
1001733	25	DAF-9257/5 Disposable fabric balaclava
1001676	26	DAVS-1408/5 Spare fabric head cover
1001716		DAF-0705 Disposable chemical hood
1001799		DTVR-CP Comfort pad – Front of headband

Waistbelt regulator spares for Airvisor 2 listed on page 324

## Airvisor 2 Light Duty Air Supplied Respirator



Complete assemblies ready to use with a supply of breathable quality compressed air in conjunction with Clearflow filter warning systems. All kits include a waistbelt unit with integral low flow warning device, quick release connectors, a visor assembly with a secure fitting headband, fabric head cover, storage bag and instructions for use.



### AIR-SUPPLIED RESPIRATOR KITS

**1013932**

#### DAVK-0001E AIRVISOR 2 PAINT SPRAYING KIT

Complete with acetate chemical resistant visor and integral foam face seal, spraygun air hose with quick release connectors, two disposable visor covers, fabric balaclava, head / neck cover, storage bag, waistbelt complete (DAVW-1001E) includes integral low flow warning device, tested and certified to EN14594 2005 Class 4A

**1013934**

#### DDAVK-0003E AIRVISOR 2 CHEMICAL KIT

Complete with acetate chemical resistant visor and integral foam face seal, two disposable visor covers, head/neck cover, storage bag, waistbelt complete (DAVW-1003E) includes integral low flow warning device, tested and certified to EN14594:2005 Class 4A

**1013935**

#### DAVK-0004E AIRVISOR 2 INDUSTRIAL KIT

Complete with polycarbonate impact resistant visor and integral foam face seal, two disposable visor covers, head/neck cover, storage bag, waistbelt complete (DAVW-1003E) includes integral low flow warning device, tested and certified to EN14594:2005 Class 4A

### REPLACEMENT HEADPIECES

**1013936**  
**DAVK-0051E**  
**AIRVISOR 2**

Headpiece only, with acetate chemical resistant visor; as supplied with DAVK-0001E and DAVK-0003E

**1013937**  
**DAVK-0052E**  
**AIRVISOR 2**

Headpiece only, with polycarbonate impact resistant visor, as supplied with DAVK-0004E



Safety & PPE

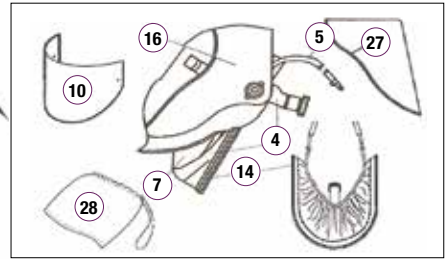
### SPARES & ACCESSORIES

1028821	<b>1</b>	Replacement browguard and frame for Airvisor 2 models
1028825	<b>5</b>	Air supply tube, diffuser and connector for Airvisor 2 models
1028827	<b>6</b>	Polycarbonate visor with foam face skirt for AV2
1028826	<b>6</b>	Acetate visor with foam face skirt for AV2
1001732	<b>9</b>	DAF-9220/10 Disposable visor cover
1001731	<b>9</b>	DAF-9220/50 Disposable visor cover
1001733	<b>25</b>	DAF-9257/5 Disposable fabric balaclava
1001676	<b>26</b>	DAVS-1408/5 Fabric head cover
1001738	<b>28</b>	DDAF-8083 White fabric carrying bag
1001716		DDAF-0705 Disposable chemical hood
1001799		DTVR-CP Comfort pad – Front of headband

Waistbelt regulator spares for Airvisor 2 listed on page 324

## Airvisor 2 W-Series Air Supplied Welding Respirator

W-Series air supplied welding kit with high temperature welding shell, viewing window (90mm x 110mm), polycarbonate inner visor (EN166 39-B), one flame retardant fabric cassette, one flame retardant head cover, air supply tube and diffuser, waist-belt with integral low flow warning device, carbon cartridge and regulator, carrying bag. Welding glass not included.



### AIR-SUPPLIED WELDING RESPIRATOR KIT

**1013987**  
**DAWK-4011E AIRVISOR 2 W-SERIES WELDING KIT**  
 Complete high temperature welding shell (viewing window 90mm x 110mm), inner polycarbonate impact resistant visor, fabric face seal cassette, flame retardant head cover, two disposable visor covers, storage bag, waistbelt complete (DAVW-1003E) includes integral low flow warning device, tested and certified to EN14594:2005 Class 3A

### REPLACEMENT HEADPIECE

**1013988**  
**DAWS-4201E W-SERIES**  
 Headpiece only, as supplied with DAWK-4011E



### SPARES & ACCESSORIES

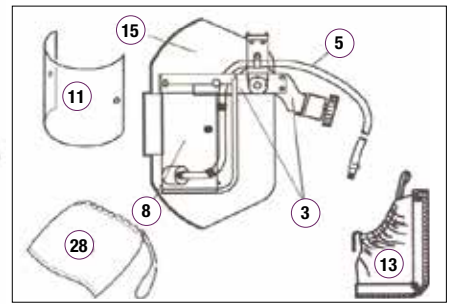
1028824	4	Replacement browguard and MV frame for DAWK-4011E
1028825	5	Air supply tube, diffuser and connector for DAWK-4011E
1001774	7	DTVS-1503/5 Replacement polycarbonate visor
1001778	10	DTVS-1507/10 Spare MV visor covers
1001779	10	DTVS-1508/50 Spare MV visor covers
1013994	14	Spare fabric face seal cassette for DAWK-4011E
1005103	16	DAWS-5200 Replacement W-Series shell c/w window clips
1005100		DTWS-5130 Replacement front cover for W-Series shell
1001754	27	DAWS-4204 Spare flame retardant head cover
1001738	28	DAF-8083 White fabric carrying bag

Waistbelt regulator spares for Airvisor 2 listed on page 324

## Airvisor 2 FV-Series Air Supplied Welding Respirator



FV-Series air supplied welding kit with high temperature welding shell, viewing window (90mm x 110mm), polycarbonate inner visor (EN166 39-B), air supply tube and diffuser, waistbelt with carbon cartridge and regulator, carrying bag. Welding shield can be raised to allow grinding and remedial work to be carried out while the inner visor stays in position to maintain respiratory protection and also impact protection for the eyes.



### AIR-SUPPLIED WELDING RESPIRATOR KIT

#### 1013983 DAWK-4001E AIRVISOR 2 FV-SERIES WELDING KIT

Complete high temperature welding shell (viewing window 90mm x 110mm), inner polycarbonate impact resistant visor, fabric face seal, two disposable visor covers, storage bag, waistbelt complete (DAVW-1003E) includes integral low flow warning device, tested and certified to EN14594:2005 Class 3A

### REPLACEMENT HEADPIECE

#### 1013986 DAWS-4101E FV-SERIES

Headpiece only, as supplied with DAWK-4001E



### WELDING COVER PLATES

#### 1001764 DTWS-5121/10 CR39

Anti-spatter cover plate 90mm x 110mm

#### 1001767 DTWS-5126/10

Spare polycarbonate inner cover plate 90mm x 110mm

### SPARES & ACCESSORIES

1028823	3	Headband assembly for DAWK-4001E
1028825	5	Air supply tube, diffuser and connector for DAWK-4011E
1028828	8	Replacement polycarbonate inner visor for DAWK-4001E
1001749	11	DAWS-4106/10 Spare visor covers
1001748	13	DAWS-4104 Replacement face seal for DAWK-4001
1001750	15	DAWS-4108 FV-Series welding shell with window clips
1001738	28	DAF-8083 White fabric carrying bag
1001791		DTVS-3074 Flame retardant balaclava

Waistbelt regulator spares for Airvisor 2 listed on page 324



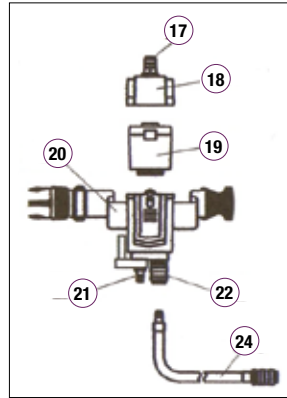
## Airvisor 2 Waistbelt Regulator Assemblies

Waistbelt complete with carbon cartridge, air flow regulator, quick release connectors and integral low flow warning device.



**1013989**  
**DAVW-1001E** for use with  
Airvisor 2 models DMAK-0021E  
and DAVK-0001E

**1013990**  
**DAVW-1003E** for use with  
Airvisor 2 models DMAK-  
0023E/24E, DAVK-0003E/4E  
and DAWK-4001/11E



### SPARES & ACCESSORIES

1001725	<b>17</b> Miniature High Flow quick release socket
1028829	<b>18</b> Regulator for DAVW-1001E and DAVW-1003E
1001672	<b>19</b> DAVS-1404 Carbon cartridge for all waistbelts
1001674	<b>20</b> DAVS-1406 Replacement waistbelt with lower half of plastic housing
1028830	<b>21</b> Airvisor 2 Special High Flow quick release plug
1028831	<b>22</b> High Flow quick release socket
1001683	<b>24</b> DAVS-1418 1.2 m spraygun air hose

## Blueline Air Hose

Blueline air hose is supplied complete with quick release couplings to connect the Clearflow filter system to the air-supplied respirator kit. The large internal diameter of the hose and high-flow couplings ensure the correct airflow to the user. Maximum length of Blueline hose when used with Airvisor 2 models is 10m to comply with EN14594:2005 Class 4A.



**1001726**  
**DAF-7319** Blueline  
air hose 3.5m

**1001727**  
**DAF-7351** Blueline  
air hose 7.5m

**1001728**  
**DAF-7350** Blueline  
air hose 10m



## Clearflow 3 Filter Systems

Clearflow 3 compressed air filter range has been developed to deliver high quality breathable air to a range of supplied air respirator systems. Air is taken from the factory compressed air system and particulates, bulk oil and water are removed by the coalescing filter. The carbon adsorber filter removes oil vapour and odour as necessary. The Clearflow 3 range is available in wall mounted and portable stand versions. Capacity is up to 1,600 l/min, which is suitable to supply breathable air for up to four operators.

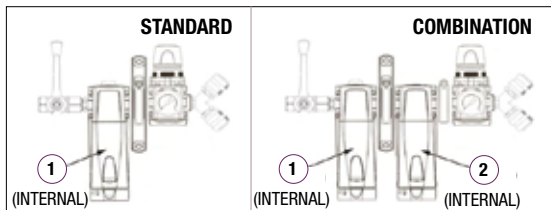


**1763903**  
CLEARFLOW 3 wall mounted combination system

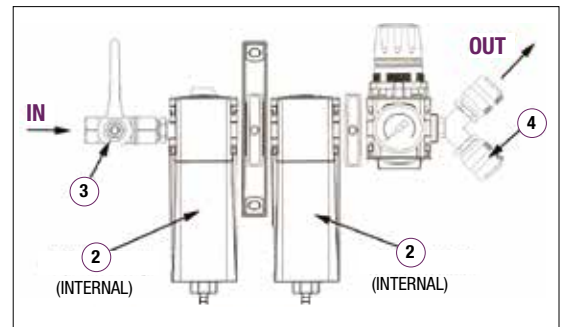


**1763904**  
CLEARFLOW 3 stand mounted combination system

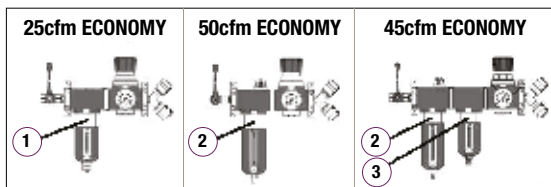
### SPARE FILTERS FOR CLEARFLOW 2 FILTER SYSTEM



1016971	1	DCFS-2163 Coalescing filter element
1016973	2	DCFS-2165 Adsorber filter element



Safety & PPE



### SPARE FILTERS FOR CLEARFLOW 1 FILTER SYSTEM

1001704	1	DCFS-0180 25 cfm replacement economy coalescing element
1001705	2	DCFS-0181 50 cfm replacement standard coalescing element
1001706	3	DCFS-0182 Replacement charcoal element

### SPARES & ACCESSORIES

1763908	1	DCFS-3163 replacement coalescing filter element
1763907	2	DCFS-3165 replacement adsorber filter element
1076332	3	DCFS-2184 isolating valve
1028832	4	DAF-6311 Quick release outlet socket
1017050		DCFS-2172 Replacement stand (complete with fixing bolts)
1005060		DAF-6329 Doubling kit for use with Airvisor ('Y' piece + one QR connector)

## Stealth-G Grinding Helmet

### FEATURES

- Lightweight, stylish and ergonomic design
- High impact resistance polycarbonate visor
- Excellent front and peripheral vision
- All-round head protection



**3029**  
Comfort Headband

Part No.	Description
<b>3056</b>	Stealth-G Grinding Helmet

### SHADE 3 LENS AVAILABLE (5023)

- Different shade flip-up and inner visor effectively provides UV/IR protection
- Applicable to welding, grinding and cutting
- Fast and easy replacement of flip-up and inner visor



## Stealth-XG Flip-Up Welding/Grinding Helmet

### FEATURES

- Lightweight, ergonomic design with high impact resistance material
- Flip up with large clear view for grinding/cutting
- All-around head protection
- Fast and easy switch between Grinding and Welding
- Simple in/out structure for convenient replacement of external cover lens
- User-friendly remote design with wireless interface and OLED display
- Multi-featured interface menu provides easy and quick ADF setting
- Remote can either be locked on helmet or taken off
- Environmentally friendly rechargeable Li-ion battery design
- No battery replacement required
- Lightweight, slim compact design to reduce fatigue and increase comfort
- The ADF is 27% thinner and 20% lighter
- Unprecedented true colour technology provides a true visual world

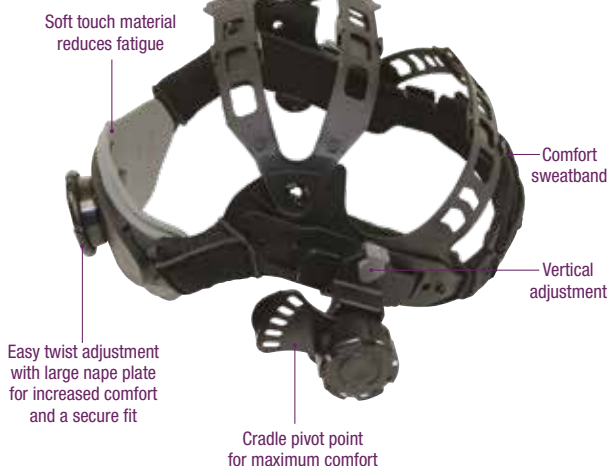


## TRUECOLOUR LENS

Part No.	Description
3055	Stealth-XG Flip-Up Welding/Grinding Helmet

### 3032 Advanced Headgear

■ Fully adjustable at all points



### ADF LENS FEATURES

CE Classification	1/1/1/1
True Colour	Yes
View Size	100 x 60 mm
Arc Sensor	4
Shade Range	4/5-9/9-13
Delay Range	0.1-0.9s
Shade number of POWER OFF state	4#
Power On/Off	Fully Automatic
Adjustment Mode	Wireless remote control
Switching Time	0.08ms
Grinding Function	Yes
Cutting Function	Yes, Shade 5#
Low Battery Indicator	Yes
Low Amperage TIG Rated	3A
Power Supply	Solar cell, Li-ion rechargeable
Certification	CE, ANSI, CSA, AS/NZS
Display	OLED
Mode Setting	Press and Turn
Short Press (<1s)	Shade → Sensitivity → Delay Time
Long Press (>1s)	Welding → Grinding → Cutting
Power Supply	Li-ion rechargeable
Battery Chargeable time	>500 times

Safety & PPE

## Stealth Digi-Tech Variable Shade Welding/Grinding Helmet 5-9 / 9-13

### FEATURES

- Grinding function with warning flash
- Digital variable shade filter: 5-9 / 9-13
- Cartridge size: 114 x 133mm
- Viewing area: 100 x 83.4mm
- Switching times:  
Light to Dark: 0.08 ms  
Dark to Light: 0.1-0.9 secs
- Four detection sensors offer wider detection of welding arc
- Memory functions for Mig, Tig, MMA
- Adjustable Sensitivity/Delay
- Shell 'B' rated for impact protection
- UV/IR protection up to DIN 15
- Tig welding from 3 amps
- Optical classification: 1/1/1/1
- Unprecedented true colour technology provides a true visual world
- CE EN175 / EN379
- Low battery warning light
- Includes spare lenses and helmet bag



## TRUECOLOUR LENS

Part No.	Description
<b>3049-ST</b>	Stealth-Digi-Tech Variable Shade Welding Helmet

## Spare Parts for 3049-ST

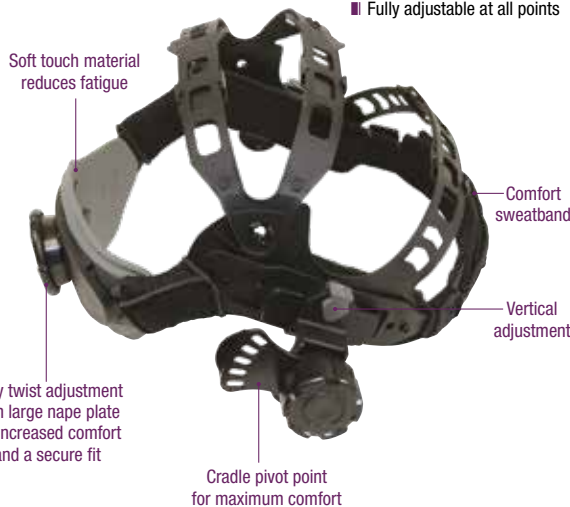


**3054**  
Truecolour Lens



**3025** – 106 x 89.5 (inner)  
**1482** – 114 x 133 (outer)

**3032**  
Advanced Headgear



**3033**  
Sweatband

## Stealth Vader Auto Darkening Welding/Grinding Goggles

### DISPLAY SCREEN



WELD Mode (5-9)



WELD Mode (9-13)



CUT Mode (5-8)



CUT Mode (3)



**TRUECOLOUR LENS**



Part No.	Description
<b>3057</b>	Stealth Auto Darkening Welding Goggles

■ Handy carry bag with Proban cape included

### FEATURES

- Compact auto-darkening goggles allow users to weld in limited spaces
- Lightweight, ergonomic shell and headband design provides comfortable wearing
- Prescription spectacles can be worn
- Optional lighting accessory available
- Adjustable shade 3/5-9/9-13 for use with Mig, Tig, Stick, Gas Welding and Cutting
- Super low power consumption design with automatic energy control
- Automatically enters sleep mode if no signal is accessed within 30 minutes and returns to standby state immediately the goggles are removed
- Unique defog design helps provide constant clear viewing
- Replaceable CR2450 battery offers more than 1000 hours continuous working time
- Parameters settings can be easily operated without removing

CE classification	1/1/1/2
True colour	Yes
Lens size	100 x 40 mm panoramic view
Filter dimensions	171.5 x 77.5 mm
Inner protection plate	144.4 x 61.5 x 1 mm / 113.5 x 42.7 x 1mm
Arc sensors	2
Shade range	3/5-9/9-13
	Fully automatic
Power On/Off	Use vibration detection and button wake up
Control	External push button LCD display
Switching time	0.08 ms
Grind function	Yes (with LED indicator)
Low battery indicator	Yes
Low amperage Tig rated	5A
Power supply	1 x CR2450 (replaceable)
Battery life time	1000 hours
Operating temperature	-10°C ~ +65°C
Certification	CE, ANSI, CSA, AS/NZS
Cutting function	Shade 5#-8#

## ELIMINATOR XV

### Eliminator XV Variable Shade Welding/Grinding Helmet 9-13

#### FEATURES

- Shade 4-9/13
- Grinding function with warning flash
- Cartridge size: 114 x 133mm
- Viewing area: 100 x 60mm
- Switching times:
  - Light to Dark: 0.08 ms
  - Dark to Light: 0.1-0.9 secs
- Four sensors offer wider detection of welding arc
- Adjustable Sensitivity/Delay
- Shell 'B' rated for impact protection
- UV/IR protection up to DIN 15
- Tig welding from 3 amps
- Optical classification: 1/1/1/2
- CE EN175 / EN379
- Low battery warning light



### TRUECOLOUR LENS

Part No.	Description
<b>3048</b>	Eliminator XV Variable Shade Welding Helmet

### Spare Parts for 3048



**3047**  
Truecolour Lens



**3021** – 106 x 66 (inner)  
**1482** – 114 x 133 (outer)



**3030**  
Premium Headgear

Comfortable foam easily moulds to the head, whilst offering support and stability during prolonged use

Lightweight suspension harness with rotating size adjusters for individual width adjustment

Easy twist adjustment with large nape plate for increased comfort and a secure fit



**3031**  
Sweatband



### Variable Shade Welding/Grinding Helmet 9-13

#### FEATURES

- Shade 4-9/13
- Grinding function with warning flash
- Cartridge size: 110 x 90mm
- Viewing area: 97 x 47mm
- Switching times:
  - Light to Dark: 0.08 ms
  - Dark to Light: 0.1-0.9 secs
- Shell 'B' rated for impact protection
- Two detection sensors
- Adjustable stepless Sensitivity/Delay
- UV/IR protection up to DIN 15
- Tig welding from 5 amps
- Optical classification: 1/1/1/2
- CE EN175 / EN379
- Low battery warning light



### TRUECOLOUR LENS

Part No.	Description
<b>3045</b>	Variable Shade Welding Helmet

### Spare Parts for 3045 & 2362



**3039**  
Lens



**3020** – 104.7 x 53.8 (inner)  
**3024** – 110 x 90 (outer)



**3029**  
Comfort Headband



**3032SB**  
Sweatband

### TRUECOLOUR LENS

Part No.	Description
<b>2362</b>	Variable Shade Welding Helmet

## Variable Shade Welding/Grinding Helmet 4-9/13

### FEATURES

- Grind function
- Shade 4-9/13
- Choose from three colours
- Cartridge size: 110 x 90mm
- Viewing area: 92 x 42mm
- Switching times:
  - Light to Dark: 0.1 ms
  - Dark to Light: 0.1-0.9 secs
- Adjustable stepless sensitivity / delay
- Two detection sensors
- Shell 'B' rated for impact protection
- UV/IR protection up to DIN 15
- Tig welding from 5 amps
- Optical classification: 1/1/1/2
- CE EN175 / EN379



## TRUECOLOUR LENS

Part No.	Description
<b>3041</b>	Variable Shade Welding Helmet – 4-9/13

## Spare Parts for 3041



**3042** – Lens



**1985** – Inner Lens  
**3024** – Outer Lens



**3029**  
Comfort Headband



**3032SB**  
Sweatband

## Variable Shade Welding/Grinding Helmet 4-9/13

### FEATURES

- Grind function
- Shade 4-9/13
- Cartridge size: 110 x 90mm
- Viewing area: 90 x 40mm
- Switching times:
  - Light to Dark: 0.1 ms
  - Dark to Light: 0.1-0.9 secs
- Two detection sensors
- Adjustable stepless sensitivity / delays
- Tig welding from 5 amps
- UV/IR protection up to DIN 15
- Optical classification: 1/1/1/2



Part No.	Description
<b>3037</b>	Variable Shade Welding Helmet – 4-9/13

## Spare Parts for 3037



**3042** – Lens



**3027** – Inner Lens (97 x 45)  
**3024** – Outer Lens (110 x 90)



**3029**  
 Comfort Headband



**3038** – Fixing Frame Screw (1 pair)



**3032SB**  
 Sweatband

## FF X450 Auto Darkening Welding/Grinding Helmets

9-13  
&  
Grind

### FEATURES

- Variable DIN shade 9-13
- Grinding mode
- Adjustable sensitivity and dark to light delay (stepless)
- 110 x 90 mm outer cover lens
- Solar powered – no battery charge required
- Three-way adjustable headband
- Suitable for MMA, MIG/MAG, TIG welding
- Weight: 497g
- Clear fronted point of sale display packaging
- One year filter warranty



Glossy Black



Blue Skull



Transformer

Part No.	Description	Qty
<b>ZYFUTFF-X450-A</b>	Glossy Black	1/6
<b>ZYFUTFF-X450-B</b>	Blue Skull	1/6
<b>ZYFUTFF-X450-C</b>	Transformer	1/6
ZYFUTFF-X450-IN	Spare Inner Lens	Pack 10
ZYFUTFF-X150-OUT	Spare Outer Lens	Pack 10

### X450 FILTER TECHNICAL DATA

Light State	Dark State	Light to Dark	Dark to Light	Grinding	Sensors	Adjustment	Viewing Area
4	9-13	<1/30000s	0.1-1.0s	Yes	2	External	100 x 41 mm

## FF X850 Auto Darkening Welding/Grinding Helmets – True Colour Lens

5-8/9-13  
Grind & True  
Colour

### FEATURES

- True colour vision
- Lens rating: 1/1/1/2
- Variable DIN shades 5-8/9-13
- Grinding mode
- Adjustable sensitivity and dark to light delay (stepless)
- 110 x 90 mm outer cover lens
- Solar powered with one replaceable battery
- Low battery indicator
- Three-way adjustable headband
- Suitable for MMA, MIG/MAG, TIG welding and plasma cutting
- Weight: 508g
- Clear fronted point of sale display packaging
- One year filter warranty



Glossy Black

## TRUECOLOUR LENS

Part No.	Description	Qty
<b>ZYFUTFF-X850-A</b>	Glossy Black	1/6
<b>ZYFUTFF-X850-C</b>	Malphite	1/6
<b>ZYFUTFF-X850-D</b>	Sharp Robot	1/6
ZYFUTFF-X650-IN	Spare Inner Lens	Pack 10
ZYFUTFF-X150-OUT	Spare Outer Lens	Pack 10



Malphite



Sharp Robot

Safety  
& PPE

### X850 FILTER TECHNICAL DATA

Light State	Dark State	Light to Dark	Dark to Light	Grinding	Sensors	Adjustment	Viewing Area
4	5-8/9-13	<1/30000s	0.1-1.0s	Yes	4	External	100 x 53 mm



**Speedglas™**  
Welding Safety

## Speedglas™ Welding Helmet G5-02

The world's first curved auto-darkening filter with the 3M™ Speedglas™ Welding Helmet G5-02. Featuring Curved Glass Technology, the welding filter follows the curved shape of your head and is more in line with the range of your peripheral vision.

- Designed for high-end TIG welders
- Curved welding filter technology tested and approved by professional TIG welders
- New world standard for precision welding filter viewing
- Slim style helmet created to optimise view and comfort
- Filter reliably switches even at very low (eg 1 amp) TIG settings, meeting the new pr ISO 16321 'TIG+' standards
- New exhaled air venting design reduces heat and humidity for added comfort
- Four arc sensors
- Natural colour technology
- Magnifying lens options
- 3M Connected Equipment App available for logging maintenance, statistics, activation etc



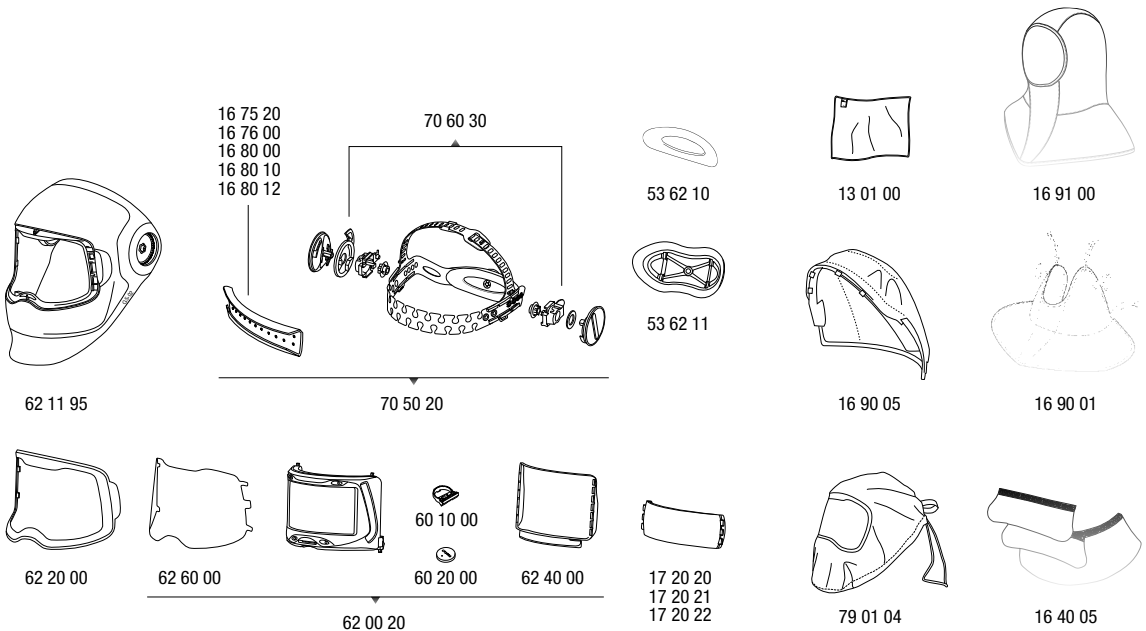
Part No.	Description
62 11 20	Including curved welding filter, headband, cleaning wipe and storage bag



Safety & PPE



## Speedglas™ Welding Helmet G5-02 – Spares & Accessories



Part No.	Description
16 80 15	3M cleaning wipe
16 40 05	Ear and neck protection in leather (3 parts)
16 90 05	Head protection in fabric
16 75 20	Sweatband, towelling, purple, pack of 2
16 76 00	Sweatband, towelling, pack of 20
16 80 00	Sweatband, leather
16 80 10	Sweatband in fleecy cotton (length 24 cm), pack of 2
16 80 12	Sweatband in fleecy cotton (length 21 cm), pack of 2
16 90 01	Neck protection
16 91 00	Hood black/grey
17 20 20	Magnifying lens x1.5
17 20 21	Magnifying lens x2.0
17 20 22	Magnifying lens x2.5
53 62 10	Cushion part for headband
53 62 11	Large head rest
60 10 00	Battery holder
60 20 00	Battery CR2450 Lithium 3V
62 00 20	Curved welding filter G5-02, including inner and outer protection plates

Part No.	Description
62 11 20	Helmet G5-02 with welding filter, headband, cleaning wipe and bag
62 11 95	Helmet without welding filter, without headband, without front cover
62 20 00	Front cover
62 40 00	Inner protection plates, pack of 2
62 60 00	Scratch resistant outer protection plate, pack of 5
70 50 20	Headband with assembly parts and sweatband
70 60 30	Assembly parts (pivots) for headband
79 01 04	Helmet storage bag



**Speedglas™**  
Welding Safety

## Speedglas™ Welding Helmets 9100 FX & Filters

Helmet with Side Windows – Auto-Darkening Filter



Part No.	Description
<b>54 18 00</b>	Welding helmet 9100 FX with side windows, headband and front cover

Helmet with Side Windows without Welding Filter



Part No.	Description
<b>54 18 15</b>	With Speedglas welding filter 9100X (54 x 107 mm)
<b>54 18 25</b>	With Speedglas welding filter 9100XX (73 x 107 mm)
<b>54 18 26</b>	With Speedglas filter kit 9100XXi, including welding filter and front cover 9100XXi (73 x 107 mm)

## Welding Filters



Part No. <b>50 00 01</b>
<b>Description</b> Passive filter kit 9100 shade 11 (90 x 110 mm)



Part No. <b>50 00 05</b>
<b>Description</b> Auto-darkening filter 9100V, variable shade 5, 8, 9-13 (45 x 93 mm)



Part No. <b>50 00 15</b>
<b>Description</b> Auto-darkening filter 9100X, variable shade 5, 8, 9-13 (54 x 107 mm)



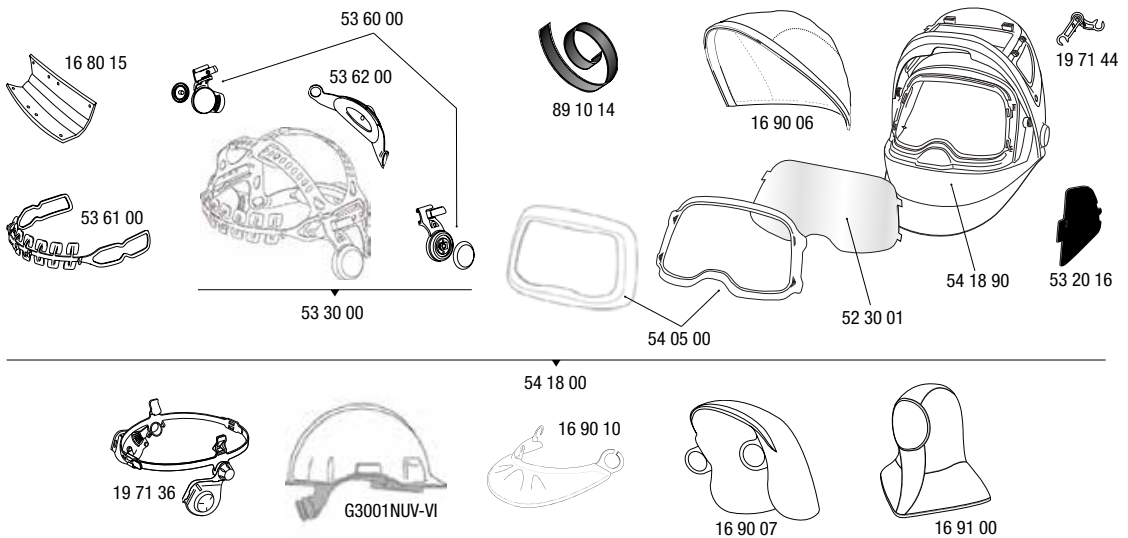
Part No. <b>50 00 25</b>
<b>Description</b> Auto-darkening filter 9100XX, variable shade 5, 8, 9-13 (73 x 107 mm)



Part No. <b>50 00 26</b>
<b>Description</b> Auto-darkening filter 9100XXi variable shade 5, 8, 9-13 (73 x 107 mm)



## Speedglas™ Welding Helmets 9100 FX – Spares & Accessories



**AUTO-DARKENING FILTER**

42 20 00	52 80 05
53 10 00	52 80 06
52 60 00	52 80 07
50 00 05	52 80 15
52 70 00	52 80 16
50 00 15	52 80 17
52 70 01	52 80 25
50 00 25	52 80 26
52 70 70	50 00 26
	52 80 27
	17 10 20
	17 10 21
	17 10 22
	17 10 23
	17 10 24

**PASSIVE FILTER**

52 60 00	17 10 20	11 00 10
52 70 00	17 10 21	11 00 11
52 70 01	17 10 22	11 00 12
52 70 01	17 10 23	11 00 13
52 70 70	17 10 24	
		12 60 00
		50 00 01

Part No.	Description
11 00 10	Passive welding filter lens shade 10
11 00 11	Passive welding filter lens shade 11
11 00 12	Passive welding filter lens shade 12
11 00 13	Passive welding filter lens shade 13
12 60 00	Inner cover plate for passive filter 9100
16 80 15	Comfort sweatband, pack of 3
16 90 06	Head protection (small)
16 90 07	Head protection (large)
16 90 10	Neck protection
16 91 00	Hood
17 10 20	Magnifying lens 1.0
17 10 21	Magnifying lens 1.5
17 10 22	Magnifying lens 2.0
17 10 23	Magnifying lens 2.5
17 10 24	Magnifying lens 3.0
19 71 36	Safety helmet adapter 9100FX, with assembly parts
19 71 44	Hinge mechanism, 2 pieces
42 20 00	Battery, pack of 2
50 00 01	Speedglas passive welding filter kit 9100 (shade 11)
50 00 05	Speedglas welding filter 9100V

Part No.	Description
50 00 15	Speedglas welding filter 9100X
50 00 25	Speedglas welding filter 9100XX
50 00 26	Speedglas welding filter 9100XXi
52 30 01	Visor plate anti-fog, pack of 5
52 60 00	Outer protection plate standard, pack of 10
52 70 00	Outer protection plate scratch resistant, pack of 10
52 70 01	Outer protection plate extra scratch resistant, pack of 10
52 70 70	Outer protection plate heat resistant, pack of 10
52 80 05	Inner cover plate for 9100V filter, pack of 5. Plate marking 117 x 50
52 80 06	Inner cover plate, +1 shade for 9100V filters, pack of 3
52 80 07	Inner cover plate, +2 shade for 9100V filters, pack of 3
52 80 15	Inner cover plate for 9100X filter, pack of 5. Plate marking 117 x 61
52 80 16	Inner cover plate, +1 shade for 9100X filter, pack of 3
52 80 17	Inner cover plate, +2 shade for 9100X filter, pack of 3

Part No.	Description
52 80 25	Inner cover plate for 9100XX filter, pack of 5. Plate marking 117 x 77
52 80 26	Inner cover plate, +1 shade for 9100XX filter, pack of 3
52 80 27	Inner cover plate, +2 shade for 9100XX filter, pack of 3
53 10 00	Battery holder, pack of 2
53 20 16	Side windows cover plate, 2 pairs
53 30 00	Headband with assembly parts.
53 60 00	Pivot mechanism, left and right
53 61 00	Headband front part
53 62 00	Headband back part
54 05 00	Front cover kit
54 18 00	Welding helmet, without welding filter, with headband
54 18 90	Welding helmet, without welding filter, without headband
89 10 14	Hook and loop for headcover, pack of 2
53 62 00	Headband back part
G3001NUV-VI	3M™ Safety Helmet G3001, white (unvented)

Safety & PPE



## Speedglas™ Welding Helmets 9100 & Filters

Helmet with Side Windows – Auto-Darkening Filter



Helmet with Side Windows without Welding Filter



Part No.	Description
<b>50 11 00</b>	Welding helmet 9100 without side windows, with headband and silver front
<b>50 18 00</b>	Welding helmet 9100 with side windows, headband and front cover

Part No.	Description
<b>50 18 15</b>	With Speedglas welding filter 9100X (54 x 107 mm)
<b>50 18 25</b>	With Speedglas welding filter 9100XX (73 x 107 mm)
<b>50 18 26</b>	With Speedglas filter kit 9100XXi, including welding filter and front cover 9100XXi (73 x 107 mm)

### Welding Filters



**Part No. 50 00 01**  
**Description**  
 Passive filter kit 9100 shade 11 (90 x 110 mm)



**Part No. 50 00 05**  
**Description**  
 Auto-darkening filter 9100V, variable shade 5, 8, 9-13 (45 x 93 mm)



**Part No. 50 00 15**  
**Description**  
 Auto-darkening filter 9100X, variable shade 5, 8, 9-13 (54 x 107 mm)



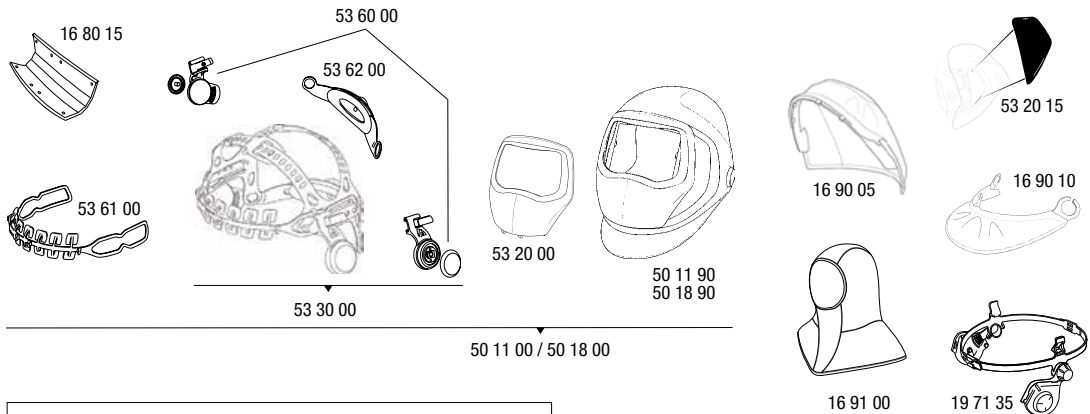
**Part No. 50 00 25**  
**Description**  
 Auto-darkening filter 9100XX, variable shade 5, 8, 9-13 (73 x 107 mm)



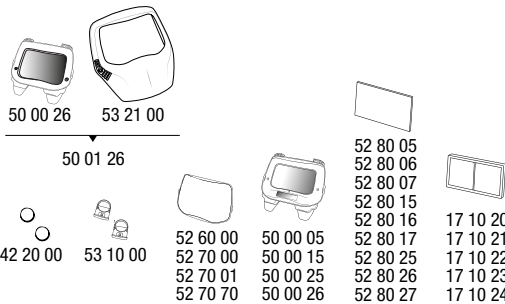
**Part No. 50 00 26**  
**Description**  
 Auto-darkening filter 9100XXi variable shade 5, 8, 9-13 (73 x 107 mm)



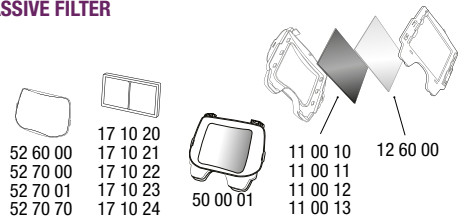
## Speedglas™ Welding Helmets 9100 – Spares & Accessories



### AUTO-DARKENING FILTER



### PASSIVE FILTER



Part No.	Description
11 00 10	Passive welding filter lens shade 10
11 00 11	Passive welding filter lens shade 11
11 00 12	Passive welding filter lens shade 12
11 00 13	Passive welding filter lens shade 13
12 60 00	Inner cover plate for passive filter 9100
16 80 15	Comfort sweatband, pack of 3
16 90 05	Head protection
16 90 10	Neck protection
16 91 00	Hood
17 10 20	Magnifying lens 1.0
17 10 21	Magnifying lens 1.5
17 10 22	Magnifying lens 2.0
17 10 23	Magnifying lens 2.5
17 10 24	Magnifying lens 3.0
19 71 35	Safety helmet adapter 9100, with assembly parts
42 20 00	Battery, pack of 2
50 00 01	Speedglas passive welding filter kit 9100 (shade 11)
50 00 05	Speedglas welding filter 9100V
50 00 15	Speedglas welding filter 9100X
50 00 25	Speedglas welding filter 9100XX

Part No.	Description
50 00 26	Speedglas welding filter 9100XXi
50 01 26	Speedglas welding filter kit 9100XXi (including front cover and filter)
50 11 00	Helmet without side windows, with headband
50 11 90	Helmet without side windows, without headband, with front cover
50 18 00	Helmet with side windows and headband, with front cover
50 18 90	Helmet with side windows, without headband, with front cover
52 60 00	Outer protection plate standard, pack of 10
52 70 00	Outer protection plate scratch resistant, pack of 10
52 70 01	Outer protection plate extra scratch resistant, pack of 10
52 70 70	Outer protection plate heat resistant, pack of 10
52 80 05	Inner cover plate for 9100V filter, pack of 5. Plate marking 117 x 50
52 80 06	Inner cover plate, +1 shade for 9100V filters, pack of 3

Part No.	Description
52 80 07	Inner cover plate, +2 shade for 9100V filters, pack of 3
52 80 15	Inner cover plate for 9100X filter, pack of 5. Plate marking 117 x 61
52 80 16	Inner cover plate, +1 shade for 9100X filter, pack of 3
52 80 17	Inner cover plate, +2 shade for 9100X filter, pack of 3
52 80 25	Inner cover plate for 9100XX filter, pack of 5. Plate marking 117 x 77
52 80 26	Inner cover plate, +1 shade for 9100XX filter, pack of 3
52 80 27	Inner cover plate, +2 shade for 9100XX filter, pack of 3
53 10 00	Battery holder, pack of 2
53 20 00	Heat-reflecting front cover 9100
53 20 15	Side windows cover plate, 2 pairs
53 21 00	Heat-reflecting front cover 9100XXi
53 30 00	Headband with assembly parts
53 60 00	Pivot mechanism, left and right
53 61 00	Headband front part
53 62 00	Headband back part



**Speedglas™**  
Welding Safety

## Speedglas™ Welding Helmet 9002NC & Filters

Many welders consider the classic Speedglas 9000 model an excellent balance of helmet shape, size, and weight for their application – so it's been reintroduced. The exact same shell profile many welders prefer but with added new, high performing optics and a headband made for increased comfort. Introducing the 3M™ Speedglas™ Welding Helmet & Auto-Darkening Filter 9002NC.

### FEATURES

#### ■ Better control

An improved optical experience, with a view that appears lighter, brighter, and more realistic. Viewing your weld puddle with the new 3M™ Speedglas™ Natural Colour Technology can help give you better control over your welds

#### ■ Exhale

Thanks to the exhaust vents built into the helmet, the build-up of carbon dioxide is reduced compared to traditional helmet designs

#### ■ Freedom of movement

The slim helmet's design increases freedom of movement. Plus, the exhaust vents allow for a close-to-the-face fit

#### ■ Affordable price

Puts 3M™ Speedglas™ Technology and state-of-the-art auto-darkening optics within reach of every welder, from apprentices to seasoned veterans



Part No.	Description
40 13 85	3M™ Speedglas™ Welding Helmet 9002NC, including welding filter and headband





## Speedglas™ Welding Helmets 9002NC – Spares & Accessories



40 13 85



40 13 85



70 50 15



16 40 05



16 40 09



16 90 01



16 91 00



17 10 20  
17 10 21  
17 10 22  
17 10 23  
17 10 24

Part No.	Description
40 13 85	3M™ Speedglas™ Welding Helmet 9002NC, including welding filter and headband
40 00 85	3M™ Speedglas™ Welding Filter 9002NC
70 50 15	Headband with assembly parts

Part No.	Description
16 40 05	Ear and neck protection in leather
16 40 09	Head protection, black/grey flame-resistant fabric
16 90 01	Neck protection, black/grey flame-resistant fabric
16 90 00	Full hood black/grey flame-resistant fabric
17 10 20	Magnifying lens 1.0
17 10 21	Magnifying lens 1.5
17 10 22	Magnifying lens 2.0
17 10 23	Magnifying lens 2.5
17 10 24	Magnifying lens 3.0



**Speedglas™**  
Welding Safety

## Speedglas™ Welding Helmets **100 & 100QR**

Welding Helmet **100** (black)



Part No.	Description
<b>75 11 01</b>	With passive welding filter, shade 11
<b>75 11 20</b>	With Speedglas welding filter 100V, variable shade 8-12 (44 x 93 mm)
<b>75 11 90</b>	Without welding filter, without headband

Welding Helmet **100-QR**



Part No.	Description
<b>78 25 20</b>	Welding helmet 100-QR without welding filter, without safety helmet, with QR rail
<b>78 35 20</b>	Welding helmet 100-QR with 3M safety helmet H-701R QR rail and welding filter 100-V (44x93 mm).



**Part No. 75 16 20**  
**Description**  
TROJAN WARRIOR Helmet



**Part No. 75 12 20**  
**Description**  
BLAZE Helmet



**Part No. 75 17 20**  
**Description**  
ACES HIGH Helmet

### Alternative Speedglas™ Welding Filters



**Part No. 75 00 11**  
**Description**  
Auto-darkening filter 100S-11, single shade 11 (44 x 93 mm)



**Part No. 75 25 20**  
**Description**  
ICE HOT Helmet



**Part No. 75 22 20**  
**Description**  
XTERMINATOR Helmet

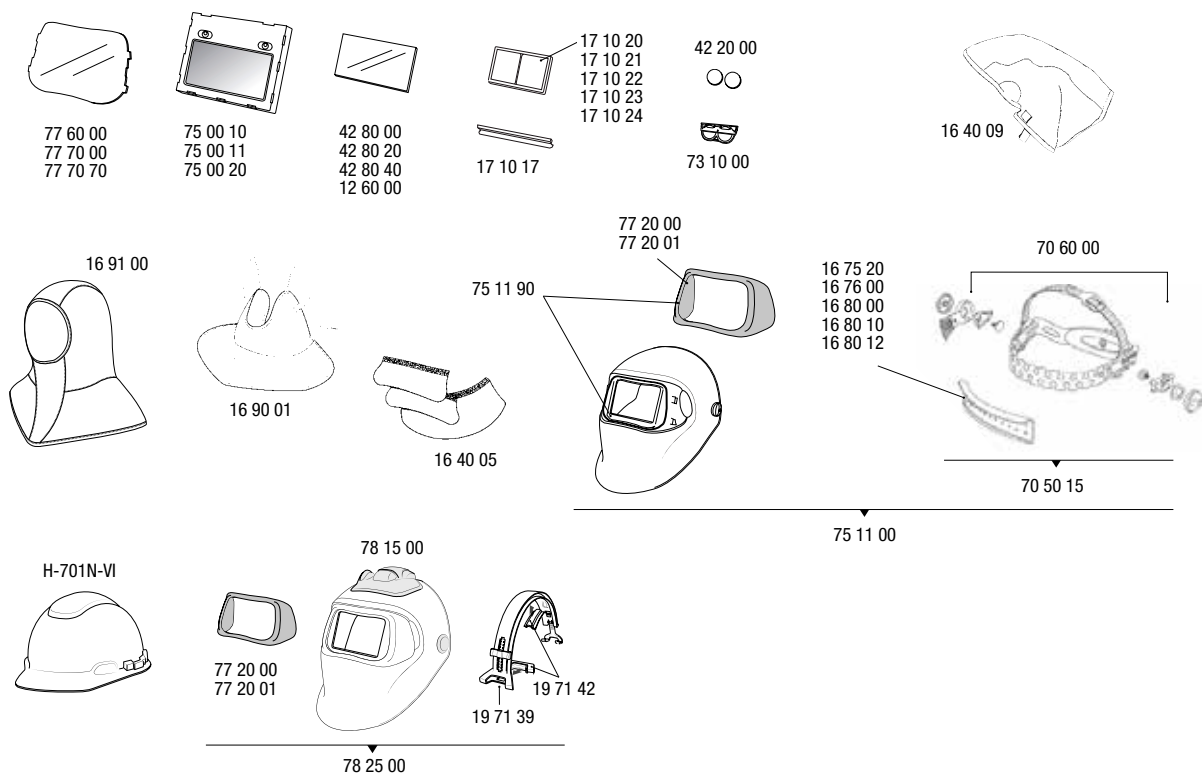


**Part No. 75 24 20**  
**Description**  
RAZOR DRAGON Helmet

**Part No. 75 00 20**  
**Description**  
Auto-darkening filter 100-V, variable shade 8-12 (44 x 93 mm)



## Speedglas™ Welding Helmets 100 & 100QR – Spares & Accessories



Part No.	Description
12 60 00	Inner cover plate for 100 passive filter
60 40 05	Ear and neck protection in leather
16 40 09	Head protection
16 75 20	Sweatband, towelling purple, pack of 2
16 76 00	Sweatband, towelling purple, pack of 20
16 80 00	Sweatband, leather
16 80 10	Sweatband, fleecy cotton, pack of 2
16 80 12	Sweatband, fleecy cotton (short), pack of 2
16 90 01	Neck protection
16 91 00	Hood
17 10 17	Holder for magnifier (older models of welding filters)
17 10 20	Magnifying lens 1.0
17 10 21	Magnifying lens 1.5
17 10 22	Magnifying lens 2.0
17 10 23	Magnifying lens 2.5
17 10 24	Magnifying lens 3.0
19 71 37	Safety helmet adapter (loop), with assembly parts, not shown
19 71 39	Quick release rail for safety helmet

Part No.	Description
19 71 42	Rubber friction pads for quick release rail
19 71 43	Pivot cover plate kit for quick release welding helmets (QR), pack of 2
42 20 00	Battery CR2032 Lithium 3V, pack of 2
42 80 00	Inner cover plate, pack of 5. Plate marking 42 02 00.
42 80 20	Inner cover plate, +1 shade, pack of 5
42 80 40	Inner cover plate, +2 shade, pack of 5
70 50 15	Headband with assembly parts
70 60 00	Assembly parts for headband
73 10 00	Battery cover
75 00 10	Speedglas welding filter 100S-10, single shade 10
75 00 11	Speedglas welding filter 100S-11, single shade 11.
75 00 20	Speedglas welding filter 100V, variable shade 8-12.
75 05 11	Speedglas 100 passive kit: 110 x 90 mm passive welding filter shade 11, inner cover plate, outer protection plate and filter frame (not shown)
75 11 00	100 welding helmet black, without filter, with headband

Part No.	Description
75 11 90	100 welding helmet black, without filter, without headband
77 20 00	Front frame, silver
77 20 01	Front frame, black
77 60 00	Outer protection plate, standard, pack of 10
77 70 00	Outer protection plate, scratch resistant, pack of 10
77 70 70	Outer protection plate, heat resistant, pack of 10
78 15 00	Welding helmet 100-QR without rail, without filter, without safety helmet
78 25 00	Welding helmet 100-QR with rail, without welding filter, without safety helmet
78 35 20	Welding helmet 100-QR with rail and 3M™ Safety Helmet H-701R with filter 100-V
H-701N-VI	White 3M™ Safety Helmet H-701R (unvented), with ratchet suspension

## Welding Headshields & Screens



**GAMADOR**  
Flip-up Headshield  
**NO-810400**  
4 1/4" x 2"  
**NO-810440**  
4 1/4" x 3 1/4"  
**NO-810450**  
110 x 90 mm



**1376**  
Flip Up Headscreen 4 1/4" x 2"  
Qty: 1-30

**Spare Parts**

**1377**  
Sweatband for 1376  
Qty: 1

**1378**  
Spare Headband for 1376  
Qty: 1

**3070**  
Helmet Fixings for 1376 & 1440  
Qty: 1



**LAMADOR** Flip-up Headshield  
**NO-810500**  
4 1/4" x 2"  
**NO-810540**  
4 1/4" x 3 1/4"  
**NO-810550**  
110 x 90 mm



**1375**  
Headscreen 4 1/4" x 3 1/4"  
Qty: 1-35

**Spare Parts**

**1377**  
Sweatband for 1375  
Qty: 1

**1378**  
Spare Headband for 1375  
Qty: 1

**1378**  
Spare Headband for 1375  
Qty: 1



**PROTA SHELL**  
Full Face Helmet  
**1576 - 810900**  
Flip Up 4 1/4" x 2"  
**1577 - 810920**  
4 1/4" x 3 1/4"  
**NO-810910**  
4 1/4" x 2" (pictured)

*Made of Vulcan-fibre with fully-adjustable headgear. Different sizes of glass holders available*



**1370**  
Handscreen 4 1/4" x 3 1/4"  
Qty: 1-75

## Leather Hood/Welding Goggles Combination



**PROTA SHELL BABY**  
Cutaway Shell  
**1371 - 810320**  
4 1/4" x 3 1/4"  
**1372 - 810300**  
Flip Up 4 1/4" x 2"  
*Particularly suited for use in confined spaces*



**813000** - 30cm  
**813010** - XL 45cm  
*Leather mask with flip-up amigo welding goggles. Soft vinyl frame and integrated side shields. Not supplied with lenses*



## Shaded Lenses

Pt No.	Description	Qty
<b>1386</b>	2" Diameter Shade 3 Lens	10-200
<b>1387</b>	2" Diameter Shade 4 Lens	10-200
<b>1388</b>	2" Diameter Shade 5 Lens	10-200
<b>1389</b>	2" Diameter Shade 10 Lens	10-200
<b>1395</b>	4 1/4" x 2" Shade 5 Lens	10-100
<b>1398</b>	4 1/4" x 2" Shade 8 Lens	10-100
<b>1399</b>	4 1/4" x 2" Shade 9 Lens	10-100
<b>1400</b>	4 1/4" x 2" Shade 10 Lens	10-100
<b>1401</b>	4 1/4" x 2" Shade 11 Lens	10-100
<b>1402</b>	4 1/4" x 2" Shade 12 Lens	10-100
<b>1403</b>	4 1/4" x 2" Shade 13 Lens	10-100

Pt No.	Description	Qty
<b>1412</b>	4 1/4" x 3 1/4" Shade 8 Lens	10-100
<b>1413</b>	4 1/4" x 3 1/4" Shade 9 Lens	10-100
<b>1414</b>	4 1/4" x 3 1/4" Shade 10 Lens	10-100
<b>1415</b>	4 1/4" x 3 1/4" Shade 11 Lens	10-100
<b>1416</b>	4 1/4" x 3 1/4" Shade 12 Lens	10-100
<b>1417</b>	4 1/4" x 3 1/4" Shade 13 Lens	10-100
<b>1485</b>	4 1/4" x 3 1/4" Shade 14 Lens	10-100
<b>1476</b>	4 1/2" x 5 1/4" Shade 9 Lens	10-50
<b>1477</b>	4 1/2" x 5 1/4" Shade 10 Lens	10-50
<b>1478</b>	4 1/2" x 5 1/4" Shade 11 Lens	10-50

Pt No.	Description	Qty
<b>1420</b>	110 x 60mm Shade 9 Lens	10-100
<b>1421</b>	110 x 60mm Shade 10 Lens	10-100
<b>1422</b>	110 x 60mm Shade 11 Lens	10-100
<b>1423</b>	110 x 60mm Shade 12 Lens	10-100
<b>1443</b>	110 x 90mm Shade 9 Lens	10-100
<b>1444</b>	110 x 90mm Shade 10 Lens	10-100
<b>1445</b>	110 x 90mm Shade 11 Lens	10-100
<b>1446</b>	110 x 90mm Shade 12 Lens	10-100
<b>1447</b>	110 x 90mm Shade 13 Lens	10-100

## CR39 Anti-Spatter Lenses

Pt No.	Description	Qty
<b>1385</b>	2" Diameter CR39 Anti-spatter Lens	10-100
<b>1408</b>	4 1/4" x 2" CR39 Anti-spatter Lens	20
<b>1418</b>	4 1/4" x 3 1/4" CR39 Anti-spatter Lens	20
<b>1481</b>	4 1/2" x 5 1/4" CR39 Anti spatter Lens	20
<b>1425</b>	110 x 60mm CR39 Anti spatter Lens	20
<b>1448</b>	110 x 90mm CR39 Anti spatter Lens	20

## Polycarbonate Lenses

Pt No.	Description	Qty
<b>1384</b>	2" Diameter Polycarbonate Lens	10-100
<b>1406</b>	110 x 97mm Polycarbonate Lens	20
<b>1407</b>	4 1/4" x 2" Polycarbonate Lens	20
<b>1410</b>	107 x 52mm Polycarbonate Lens	20
<b>1419</b>	4 1/4" x 3 1/4" Polycarbonate Lens	20
<b>1482</b>	4 1/2" x 5 1/4" Polycarbonate Lens	20
<b>1426</b>	110 x 60mm Polycarbonate Lens	20
<b>1984</b>	107 x 50mm Polycarbonate Lens	20
<b>3036</b>	120 x 100mm Polycarbonate Lens	20

## Clear Glass Lenses

Pt No.	Description	Qty
<b>1383</b>	2" Diameter Clear Glass	10-100
<b>1409</b>	4 1/4" x 2" Clear Glass	20
<b>1411</b>	4 1/4" x 3 1/4" Clear Glass	20-100

## Magnifying Lenses

Pt No.	Description	Qty
<b>J2741</b>	1 (107 x 51mm) Magnifying Lens	20
<b>J2742</b>	1.25 (107 x 51mm) Magnifying Lens	20
<b>J2743</b>	1.5 (107 x 51mm) Magnifying Lens	20
<b>J2744</b>	1.75 (107 x 51mm) Magnifying Lens	20
<b>J2745</b>	2.0 (107 x 51mm) Magnifying Lens	20
<b>J2746</b>	2.25 (107 x 51mm) Magnifying Lens	20
<b>J2747</b>	2.5 (107 x 51mm) Magnifying Lens	20

## Safety Helmet/Welding Shield Combination

### GAMADOR COMBI

#### 810400.2

Gamador Headshield with flip up holder and 4 1/4" x 2" lens

#### 933182

Safety Helmet

N.B. Both codes to be ordered for this item



Turn your screen into an auto-darkening helmet!



#### 3043

SWP Fixed Shade 11 Lens 4 1/4" x 3 1/4"  
Qty: 1

## Polycarbonate Face Screens EN 166 – *Not Suitable for Welding*



**1435**  
Clear Face Screen  
Complete  
8" x 12"  
Qty: 1



**1440**  
Spare Browguard  
for Visors  
Qty: 1



**1578**  
Coloured Face Screen  
Shade 5 Complete  
8" x 15½" x 1.2mm  
Qty: 1



**1437**  
Spare Clear Visor 8" x 12"  
Qty: 1



**1580**  
Spare Clear Visor 8" x 15½"  
Qty: 1



**1582**  
Spare Coloured Visor  
Shade 5  
8" x 15½" x 1.2mm  
Qty: 1

*Note: Above Spare Visors can also be used as attachments for our range of Hard Hats*

## Polycarbonate Face Screens EN 166 & EN 171 – *Suitable for Welding*



**1433**  
Spare Shade 5 Visor  
Qty: 1



**1436**  
Coloured Face Screen  
Shade 3 Complete  
8" x 12" x 2mm  
Qty: 1

**1434**  
Coloured Face Screen  
Shade 5  
8" x 12" x 2mm  
Qty: 1

**1438**  
Spare Shade 3 Visor  
Qty: 1



**1449**  
Clear Visor also available  
(not suitable for welding)  
Qty: 1



**1442**  
Spare Browguard for Visors  
■ Unique lightweight design  
■ Ratchet adjustment headgear  
■ 7-position harness strap – adaptable to any head size  
■ 3-position crown angle adjustment  
Qty: 1



## Bionic Face Screens

A revolutionary face shield designed for rugged jobs. Extremely lightweight and highly adjustable for all-day comfort, it is ideal for workers exposed to impact, chemical splash and airborne debris.



### 1011623

BIONIC with clear polycarbonate uncoated visor

### 1011624

BIONIC with clear polycarbonate fog ban, anti-scratch visor

### 1011933

BIONIC with clear acetate visor

### 1015113

BIONIC frame and headband without visor

### REPLACEMENT VISORS

#### 1011625

Clear, uncoated, polycarbonate visor

#### 1011626

Clear, uncoated, acetate visor

#### 1011627

Clear, fog-ban anti-scratch polycarbonate visor

#### 1011628

Shade 3 polycarbonate visor

#### 1011628

Shade 5 polycarbonate visor

### ACCESSORIES

#### 1015240

Protective visor covers

#### 1011934

Sweatband

#### 1015161

Helmet adapter

## Clearways Browguards & Visors

Clearways value browguards offer both strength and durability with economical visors available in acetate or polycarbonate.



### REPLACEMENT BROWGUARD

#### 1002341

CB20 grey browguard with ratchet headband

#### 1002346

CB14 grey browguard with elastic headband



### VISORS

#### 1002353

CV83P 200mm clear polycarbonate visor

#### 1002354

CV84A/CG 200mm clear acetate visor for use with CG7 chinguard

#### 1002360

CV84A 200mm clear acetate visor

#### 1002359

CV83P/CG 200mm clear polycarbonate visor for use with CG7 chinguard

#### 1002365

CV84AG 200mm acetate Shade 1.7 visor

#### 1002369

CV85/3W 200mm acetate Shade 5 visor

#### 1002370

CV85/5W 200mm acetate Shade 5 visor

#### 1002294

CG7 chinguard for use with 1002354, 1002359

### Supervisor Heavy Duty Browguard & Attachments (Browguard not included)



**1002302**  
SA660 Plastic safety helmet attachment



**1002304**  
SA66M Molten metal safety helmet attachment



**1002305**  
SA66 Metal safety helmet attachment



**1002297**  
SB600 browguard with ratchet headband

### Supervisor Acetate Visors



**1002307**  
SV9AC 200mm clear acetate visor

**1002309**  
SV9AC/CG clear acetate visor for use with VS7 chinguard



**1002329**  
SV9A3W 200mm Shade 3 acetate visor

**1002330**  
SV9A5W 200mm Shade 5 acetate visor

**1002308**  
SV9EK 200mm clear acetate visor for electrical hazards

### Supervisor Metal Mesh Visor



**1002337**  
SAM9 metal wire mesh visor (suits SA66M helmet attachment only) for molten metal protection and forestry work



**1002295**  
VS7 chinguard for use with 1002310, 1002309

### Supervisor Helmet/Earmuff Systems

Combined helmet mounted hearing and face protection (helmet earmuffs and adaptors are also required).

### Supervisor Heavy Duty Polycarbonate Visors



**1002312**  
SHV9PC 200mm clear polycarbonate visor

**1002310**  
SHV9PC/CG clear polycarbonate visor for use with VS7 chinguard

**1002328**  
SHV9PG 230mm Shade 1.7 polycarbonate visor, EN170



#### HELMET ATTACHMENT

**1004583**  
SHA66M helmet mounted visor carrier

#### VISORS

**1004584**  
SHV9PC 200mm clear polycarbonate visor

**1004587**  
SHV9AC 200mm clear acetate visor

# Eye Protection

## Safety Spectacles EN 166 & EN 169 – All eyewear offers 99.9% UV/B Protection

Part No.	Description	Qty
<b>1450</b>	Wraparound frameless design offers a comfortable fit with indirect ventilation and clear polycarbonate lens	12-300
<b>1451</b>	As above – Shade 3	



Part No.	Description	Qty
<b>1454</b>	Clear, single piece lens with integrated side shield, blue nylon frame with adjustable arms. Anti Scratch	12-300



Part No.	Description	Qty
<b>1491</b>	Lightweight, wrap-around adjustable frame with clear one piece polycarbonate lens	12-300



Part No.	Description	Qty
<b>1494</b>	Ultra lightweight and modern design offers outstanding field of vision with a clear single piece polycarbonate lens	12-300
<b>1495</b>	As above – Smoke	



Part No.	Description	Qty
<b>1498</b>	Lightweight, comfortable non-slip rubbers nose pad and temples for all day comfort, with clear polycarbonate lens	12-300
<b>1500</b>	As above – Shade 5	



Part No.	Description	Qty
<b>1501</b>	Lightweight and comfortable with 180° rotation arm, extended sideshield for excellent lateral protection, Integrated nosepieces and non-slip rubber temple tips. Weight: 21.1g	12-300



## Safety Spectacles EN 166 & EN 169 – All eyewear offers 99.9% UV/B Protection

Part No.	Description	Qty
<b>1503</b>	Wrap-around protective eyewear with flexible front frame to alleviate pressure on head, impact-resistant polarised lens with integrated nosepiece and comfortable rubber coating on temple tips. Weight: 38.2g	12-300



Part No.	Description	Qty
<b>1502</b>	Wrap-around protective spectacles offering high visibility rubber features, anatomically shaped nose piece adapts to all faces and inner temple coated with elastomer for excellent grip. Weight: 28.3g	12-300

**1502GASKET**  
Optional elastomeric foam gasket



Part No.	Description	Qty
<b>1505</b>	Lightweight frameless design, offering adjustable temple length with one-piece clear polycarbonate lens	12-300

Part No.	Description	Qty
<b>1570</b>	Metal-free mechanical hinge with toughened shaft, high clarity optical grade polycarbonate clear lens, UV protection and branding opportunity on outer temples. Weight: 27.7g	12-300



Part No.	Description	Qty
<b>1572</b>	Wrap-around adjustable frame with integrated nose piece and single clear one piece lens to fit most faces	12-300



### Jackson SG

Part No.	Description	Qty
<b>25679</b>	Sporty style, lightweight and wrap-around	Box 12
<b>25688</b>	As above – Smoke Mirror	
<b>25692</b>	As above – IRUV Shade 3	
<b>25694</b>	As above – IRUV Shade 5	

## SecureFit™ Safety Spectacles EN 166 & EN 169

### SecureFit™ 100 Safety Spectacles

- Slim frame
- 3M™ Pressure Diffusion Temple Technology
- Lens shades in clear and grey
- All lens options available with anti-scratch/anti-fog coatings
- Typical weight: 20g

Part No.	Description	Qty
<b>7100244046</b>	SF101-BLK, Anti-Scratch, Clear Lens, 5-pack	10
<b>7100244060</b>	SF101-BLK, Anti-Fog, Clear Lens, 5-pack	10
<b>7100244061</b>	SF107-BLU, I/O, Anti-Scratch, Grey Lens	10



### SecureFit™ SF200 Series Safety Spectacles

- Optical class 1 lens suitable for prolonged use
- Design provides excellent coverage and a good field of vision based on the rimless, single lens design
- Offers protection against ultraviolet (UV) radiation
- Typical weight: 18g

Part No.	Description	Qty
<b>7100111990</b>	SF201-EU, Anti-Fog, Clear Lens	10
<b>7100112180</b>	SF201-EU, Anti-Scratch, Clear Lens	10
<b>7100112008</b>	SF203-EU, Anti-Fog, Amber Lens	10



Anti-Fog/Scratch coating available

### SecureFit™ 500 Safety Spectacles

- Helps provide durable scratch resistance in tough environments
- The 3M™ Scotchgard™ coating is tested to EN 168 K&N for Anti-Fog/Scratch performance
- Optional foam gasket
- Typical weight: 22g or 27g with foam gasket

Part No.	Description	Qty
<b>7100244045</b>	SF501-BLK, Anti-Fog, Clear Lens	10
<b>7100243979</b>	SF501-BLK, Anti-Scratch, Clear Lens	10
<b>7100243142</b>	SF501-BLK, Scotchgard Anti-Fog/Scratch, Clear Lens	10
<b>7100243964</b>	SF501BLK-FM, Scotchgard Anti-Fog/Scratch, Clear Lens + Foam	10
<b>7100243977</b>	SF517-GRN, I/R 1.7, Anti-Scratch Plus, Grey Lens	10
<b>7100243978</b>	SF550-GRN, IR 5.0, Anti-Scratch Plus, Grey Lens	10
<b>7100243943</b>	SF500-FOAM, Foam Gasket for SF500	10

# Eye Protection

## Honeywell

### A800 Safety Spectacles EN 166 & EN 175

Sporty styling and a slim profile provide an ideal fit for personnel with smaller faces.



**1015370**  
A800 with clear anti-scratch lens



**1015368**  
A800 with TSR grey anti-scratch lens minimises outdoor sunlight and glare



**1015350**  
A800 with light I/O silver lens for reduced glare – ideal for personnel moving from indoor to outdoors

### Op-Tema Safety Spectacles

Abrasion resistant polycarbonate lens with six-base curve design and adjustable arms. Supplied with breakaway flexicord retainer.



**1000016**  
OP-TEMA with black frame and clear lens



**1000018**  
OP-TEMA with blue frame and clear lens



**1000017**  
OP-TEMA with black frame and TSR grey lens



**1004948**  
OP-TEMA with blue frame and TSR grey fog-ban lens



**1004960**  
OP-TEMA with blue frame and TSR grey fog-ban lens

### Protégé Safety Spectacles

Combines sport styling with lightweight comfort and flexible design. Floating lens design offers increased flexibility with a secure wraparound brow that expands to fit a wide range of users.



**1015366**  
PROTÉGÉ with clear anti-scratch lens



**1015364HS**  
PROTÉGÉ with clear fog-ban anti-scratch lens

### Lens Cleaning



**1011378**  
Lens cleaning solution 500ml spray bottle contains no alcohol or silicone



**1011379**  
Lens cleaning tissues, 500 per box, non-abrasive



**1011380**  
Lens cleaning station, contains 500ml spray bottle of lens cleaning solution and 1500 tissues



**1011332**  
Lens cleaning towelettes, pre-moistened in pocket size sachets



# Eye Protection

## Clear Safety Goggles EN 166

**3M**



Part No.	Description	Qty
<b>7000032480</b>	GG2890, Clear, Polycarbonate Lens	10

**3M**



Part No.	Description	Qty
<b>7100216582</b>	GG6001SGAF-Blk, Clear Lens	10
<b>7100244200</b>	GG6000SGAF-Blk, Clear Lens with a flip down grey IR5 lens	10



Part No.	Description	Qty
<b>1430</b>	Clear with indirect ventilation	1-100



Part No.	Description	Qty
<b>1431</b>	Clear with direct ventilation	1-100



Part No.	Description	Qty
<b>1432</b>	Clear, large panorama, anti mist with indirect ventilation	1-100



Part No.	Description	Qty
<b>1508</b>	Clear, ski style wide vision goggles with soft rubber body, exceptional fit and comfort. Withstands high temperature. Anti scratch/Anti mist	12-144

**Honeywell**

**1007506**  
**V-MAXX** with indirect vent, acetate non-mist lens with two protective lens covers and neoprene strap



**1006437**  
**V-MAXX** protective lens covers

**Honeywell**

**1006192**  
**V-MAXX** with indirect vent, polycarbonate lens and elastic strap



**1006193**  
**V-MAXX** with indirect vent, polycarbonate non-mist lens and elastic strap

**Honeywell**

**1017750**  
**DURAMAXX** goggles with clear Durastreme™ coating technology lens and fabric strap



**1028135**  
**DURAMAXX** Clear replacement lens

Safety  
& PPE

## Honeywell

**1008111**  
V-MAXX welding  
goggles with black  
frame and Shade 5 lens



Sport style goggles with distortion-free 100% peripheral vision.

## Honeywell

**1017739**  
DURAMAXX welding  
goggles with Shade 5  
lens and neoprene strap



**1028136**  
DURAMAXX TSR grey lens



**1028140**  
DURAMAXX Shade 5 lens

## Shaded Safety Goggles EN 166 & EN 175



Part No.	Description	Qty
<b>1427</b>	2" Shade 5 welding goggles	12-120



Part No.	Description	Qty
<b>1428</b>	2" Flip-Up Shade 5 welding goggles	12-120



Part No.	Description	Qty
<b>1429</b>	Panorama Shade 5 welding goggles with indirect ventilation	12-144



Part No.	Description	Qty
<b>1511</b>	Wide vision Shade 5 welding goggles, comfortable fit over most spectacles. Anti scratch/Anti mist	12-144



Part No.	Description	Qty
<b>1583</b>	4 1/4" x 2" Flip-Up Shade 5 welding goggles	10-60



Part No.	Description	Qty
<b>1692</b>	2" Flip-Up Shade 5 welding goggles	12-120

## Secure Click™ Half Mask Reusable Respirator HF800 Series

Designed with smart and intuitive features, the 3M™ Secure Click™ Half Mask Reusable Respirator HF-800 helps protect workers from particulates and a wide variety of gases and vapours when used with approved 3M™ Secure Click™ filters and cartridges.

- Speaking Diaphragm – Designed to help provide easier communication while working
- Patented Silicone Flex-Joint Face Seal – Provides a softer feel for increased comfort on the wearer's face
- Unique Filter and Cartridge Connection – Align the connections and push to hear a click
- Easy-Adjust Buckle Simple two-way adjustability: pull straps to tighten, squeeze wings to loosen
- Push Button Seal Check – Provides increased worker confidence that the respirator is being worn properly
- Exhalation Valve – Helps direct exhaled breath and moisture downward
- Better Breathability – Two dual-flow cartridges on each respirator combine four airflow paths for easier breathing
- Swept Back Filter and Cartridge Design – For compatibility with certain welding and grinding shields.



Part No.	Description	Qty
	Half Mask Reusable Respirator – Order sizes:	1 case of 10
<b>HF-801SD</b>	Small	
<b>HF-802SD</b>	Medium	
<b>HF-803SD</b>	Large	

### Secure Click™ HF800 Series Filters (subject to case quantities)



Gas and Vapour Filters



Gas, Vapour and Particulate Combination Filters



Particulate Filters



Particulate Filters with Nuisance Level Organic Vapour and Acid Gas Protection and Ozone up to 10 x WEL



Particulate Filters  
(for use in combination with gas and vapour filters)



Filters Retainer  
(for use in combination with gas and vapour filters)

## Reusable Half Masks



Part No.	Description	Qty
	Reusable Half Face Mask – Order sizes:	1 case of 10
<b>6501QL</b>	Small	
<b>6502QL</b>	Medium	
<b>6503QL</b>	Large	

### 6500QL Series Reusable Half Masks

- Ideal for intermittent use – Proprietary quick latch design allows the respirator to be removed and re-fitted quickly and easily, without disturbing other items of PPE
- Can be used with 3M™ Supplied Air Systems
- Choice of sizes
- Comfortable in tough environments – The textured silicone facepiece not only conforms to the shape your face, but also helps to minimise slippage in hot workplaces
- 3M™ Cool Flow™ Valve – The Cool Flow valve reduces heat build-up inside the respirator – even in hot and humid conditions
- Built to last – Manufactured from durable materials, the 6500 is ideal for harsh environments. The construction also minimises small parts and crevices, allowing you to clean the respirator easily
- Works well with other PPE
- Adjustable head harness – Four-point adjustable head harness
- 3M™ flexible bayonet filters connection
- Adjustable head harness assembly offers improved fit and comfort

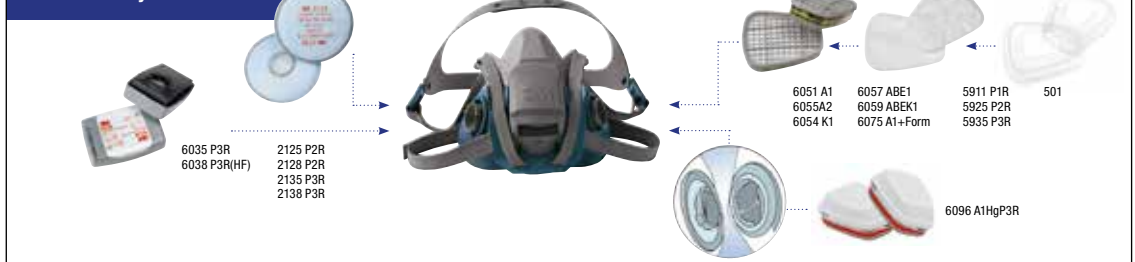
### 7500 Series Half Face Mask Respirator

- Extremely pliable, soft silicone facepiece – Offers exceptionally high levels of user comfort and a good fit over a broad range of face shapes and sizes
- Choice of sizes
- 3M™ Cool Flow™ Valve – The Cool Flow valve reduces heat build-up inside the respirator – even in hot and humid conditions
- Built to last – Durable construction and a wide range of spare parts
- Adjustable head harness – Enables the user to obtain a balanced, secure fit. Drop-down feature for easy removal during breaks
- 3M™ Bayonet Connection – Flexible system for connection to a wide range of 3M™ gas, vapour and particulate filters
- Compatible with 3M™ 2000, 5000 and 6000 Series filters to suit your individual needs
- Can be used with 3M™ Supplied Air Systems for your increased convenience and flexibility
- Spares and accessories help you maintain the right level of comfort and protection



Part No.	Description	Qty
	Reusable Half Face Mask Respirator – Order sizes:	1 case of 10
<b>7501</b>	Small	
<b>7502</b>	Medium	
<b>7503</b>	Large	

### Then choose your 3M Filters



## Reusable Half & Full Facemasks

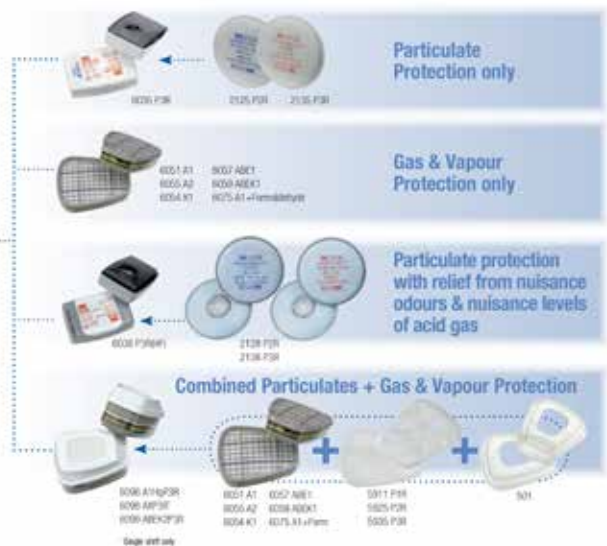
### 6000 Series Half Mask

The 6000 Series Respirator is used with twin lightweight filters which are fitted by a simple bayonet attachment system, providing an economical and flexible choice. The respirators can also be used with the 3M S-200 Supplied-Air System for increased convenience and flexibility.



Part No.	Description	Qty
<b>6100S</b>	Half Mask Respirator – Small	12 boxes of 10
<b>6200M</b>	Half Mask Respirator – Medium	12 boxes of 10
<b>6300L</b>	Half Mask Respirator – Large	12 boxes of 10

### 6000 Series Full Face Mask Respirator



The 6000 full face mask's low maintenance design offers maximum comfort and simplicity for high efficiency at your workplace. The exhalation valve helps make breathing easier with long-wearing comfort. One of the lightest, most well-balanced respirators available, the 3M 6000 full face masks come with easy-to-adjust head straps. Select the appropriate filters for your individual applications from the 3M comprehensive range.

Part No.	Description	Qty
<b>6700S</b>	Full Face Respirator – Small	12 boxes of 10
<b>6800M</b>	Full Face Respirator – Medium	12 boxes of 10
<b>6900L</b>	Full Face Respirator – Large	12 boxes of 10

Safety & PPE



## 4000+ Series Maintenance-Free Reusable Half Mask

The 4000+ Series Reusable Half Face Masks are a range of ready-to-use, maintenance-free half face masks, designed for effective and comfortable protection against many gases, vapours and combination particulate hazards.



- Maintenance-free half mask
- Twin inhalation valves and large, bonded carbon filters with permanently attached particulate filters
- Easy to use as no need for assembly, maintenance or record keeping

Part No.	Description	Qty
<b>4251+</b>	FFA1P2 R Maintenance-free reusable half mask	1 case of 10
<b>4255+</b>	FFA2P3 R Maintenance-free reusable half mask	1 case of 10
<b>4277</b>	FFABE1P3 R Maintenance-free reusable half mask	1 case of 10
<b>4279</b>	FFABEK1P3 R Maintenance-free reusable half mask	1 case of 10



### Cool Flow™ Fan 1040 Series

Attaching simply and securely to the 3M™ Maintenance-Free Reusable Respirator, 4000+ Series, Cool Flow™ Fan 1040 Series helps to draw heat and moisture away from your face, helping you to stay cool and focus on the task at hand.

Part No.	Description	Qty
<b>1040</b>	Cool Flow™ Fan 1040 Series	1 case of 10



## Disposable Respirators

### Aura™ 9322+ & 9332+ Disposable Respirators

- Original 3-panel design allows for greater facial movement
- Maximum usage level: 9322+ up to 10 x WEL, 9332+ up to 20 x WEL
- Low resistance filter technology helps you breathe more easily
- Sculpted upper panel conforms to the nose and contours of the face for an effective seal
- 3M™ Cool Flow™ Valve helps reduce heat build-up in hot and humid conditions
- Embossed top panel helps reduce eyewear fogging
- Chin tab designed for ease of adjustment
- Easy to store
- Colour-coded headbands



Part No.	Description	Qty
<b>9322+</b>	FFP2 Respirator	12 boxes of 10



Part No.	Description	Qty
<b>9332+</b>	FFP3 Respirator	12 boxes of 10

### 8825+ & 8835+ Disposable Respirators, FFP3, Valved

- Tested and CE Approved to EN 149:2001+ A1:2009
- Maximum usage level: 8825+ up to 10 x WEL, 8835+ up to 20 x WEL
- Soft inner face-seal ring improves face seal, wearer comfort and allows for hygienic cleaning if used for longer than one shift
- Robust shell and cup design provides multi-shift capability and a securer feel
- 4 point adjustable braided headbands help achieve a more secure fit
- 3M™ Advanced Electret Filter Material offers effective filtration
- 3M™ Cool Flow™ exhalation valve for comfort in hot humid environments
- Coloured head straps for easy identification: blue for FFP2 and red for FFP3



Part No.	Description	Qty
<b>8825+</b>	FFP2 Respirator	12 boxes of 10



Part No.	Description	Qty
<b>8835+</b>	FFP3 Respirator	12 boxes of 10

### 8000 Series Cup-Shaped Respirators

- Traditional cup-shaped disposable respirator
- 3M™ Cool Flow™ Valve: The Cool Flow valve reduces heat build-up inside the respirator – even in hot and humid conditions
- Colour-coded headbands offer easy protection level identification – colour coded blue: FFP2 (APF = 10), red: FFP3 (APF = 20)
- 3M™ Cool Flow™ Valve reduces heat and moisture build-up to offer workers comfortable protection – even in hot and humid conditions
- Maximum usage level: 8822 up to 10 x WEL, 8833 up to 20 x WEL



Part No.	Description	Qty
<b>8822</b>	FFP2 Respirator	12 boxes of 10



Part No.	Description	Qty
<b>8833</b>	FFP3 Respirator	12 boxes of 10

## Defenders

**1585**  
Fold Flat Ear Defenders – SNR 30  
Qty: 10-60



**1439**  
Ear Defenders – SNR 27  
Qty: 10-60



**1581**  
Ear Defenders – SNR 19  
Qty: 10-60



**1623**  
Ear Defender – SNR 25  
Qty: 10-60



## 3M™ E-A-R™ Flexible Fit Earplugs



### HA328-1000

Uncorded, pillow pack –  
400 pairs per case



### HA328-1001

Corded, pillow pack –  
400 pairs per case

#### FEATURES

- Firm, yet flexible stem for one or two hand insertion
- Single Number Rating (SNR) 35 dB (two-hand insertion) and 30 dB (one-hand insertion)
- Soft foam stem for secure grip
- No roll down of soft foam tip helps keep ear tip clean
- Good for workers with gloved or dirty hands
- Good for workers with only one free hand available for inserting earplugs
- Foam encapsulated construction
- Compatible with the 3M™ E-A-Rfit™ Dual-Ear Validation System

## 3M™ E-A-R™ Classic™ Earplugs



### PP-01-002

Uncorded, pillow pack –  
250 pairs per case

### PD-01-001

Uncorded,  
refill bottle –  
500 pairs  
per bottle



### 391-000

One touch  
dispenser

#### FEATURES

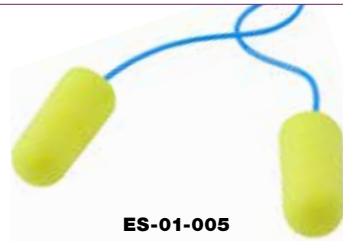
- Slow expanding, polyurethane foam
- Extremely soft foam helps provide low pressure inside the ear canal thus increasing comfort and wearability
- Tapered shape conforms quickly to most ear canals
- Excellent sound attenuation characteristics – SNR 36dB

## 3M™ E-A-R™ Soft™ Earplugs



### ES-01-001

Uncorded, pillow pack –  
250 pairs per case



### ES-01-005

Corded, pillow pack –  
250 pairs per case

#### FEATURES

- Slow expanding polyurethane foam
- Soft foam helps provide low pressure inside the ear canal
- Tapered shape conforms quickly to fit comfortably in most ear canals
- SNR 36dB

## 3M™ 1100 & 1110 Earplugs



### 3M1100

Uncorded –  
200 pairs per box



### ZY3M1100

Corded –  
500 pairs per box

#### FEATURES

- Soft hypoallergenic foam provides low pressure and warms to the body when inserted in the ear thus increasing comfort and wearability
- Tapered design provides a good fit on a wide range of ear canal sizes
- Slow recovery polymer foam helps achieve good acoustic properties
- SNR 37dB

### Bilsom 303L Disposable Ear Plugs

**Honeywell**  
HOWARD  
LEIGHT



#### FEATURES

- Smooth tapered shape for easy insertion and removal
- Soft polyurethane foam plug adjusts comfortably in the ear
- Smooth outer surface for better hygiene
- SNR 33dB

**1005073**  
Uncorded 303L  
200 Pairs / Pack 10

**1006186**  
Uncorded 303L NST  
400 Pairs / Pack 10

### HL400 Lite Ear Plugs Dispenser

**Honeywell**  
HOWARD  
LEIGHT



#### FEATURES

- Can be mounted to the wall or set on a table top
- Fully transparent so it can be refilled before empty
- Handy catch basin to prevent earplug spillages
- Dispenser parts are 100% reusable

**1006203-AM**  
HL400 Lite dispenser (AM) with  
400 pairs Bilsom 303L EU / AGBP  
Pack 1

### Bilsom Laser Lite Ear Plugs

**Honeywell**  
HOWARD  
LEIGHT



#### FEATURES

- Vibrant colours makes protection visible
- Self-adjusting foam expands to fit virtually every wearer
- Contoured T-shape for easy insertion and wear
- SNR 35dB

**3301105**  
Uncorded –  
individual packs  
200 Pairs

**3301106**  
Corded  
100 Pairs / Pack 10

**1013047**  
Uncorded – refill  
200 Pairs / Pack 1

**3301271**  
Uncorded – refill  
500 Pairs / Pack 1

### Jackson Ear Plugs



#### FEATURES

- Latex-free
- Soft foam adapts to the individual shape of the ear canal
- Ideal for hearing protection in high-noise production areas
- SNR 31dB

**1586**  
Uncorded – 200 Pairs

## TIG Welding Gauntlets



### SPECIFICATIONS

■ Thickness	0.9 – 1.1mm
■ Leather	Goat and Cow Leather
■ Lined/Unlined	Unlined
■ Heat Resistant Level	See Certificate
■ Kevlar Stitched	Yes
■ Cat. II	EN388 EN407 EN12477

### 1987

**Premium Gold TIG Gauntlet** – Size 10  
*Goatskin with gold cow split leather cuff – Kevlar stitched*  
 Qty: 10-60



**ejendals**

**TEGERA-126A**  
**TIG Gauntlet** – Size 10/XL –  
*Goatskin, White/Yellow,  
 Kevlar stitched*  
 Qty: 12-60



**WELDAS®**

**10-1004L**  
**TIG Gauntlet** – *Goatskin,  
 double palm grey flame  
 retardant cuff*  
 Qty: 1-60



**WELDAS®**

**10-1007** (M, L, XL)  
**TIG Gauntlet** – *Reverse Pigskin  
 Goatskin palm – Cow split  
 leather back and cuff*  
*Available Medium, Large, Extra Large*  
 Qty: 1-60



**SWP**

**1941**  
**TIG Gauntlet** – Size 10  
*Grey goatskin with 6" split leather cuff*  
 Qty: 1-60



## MIG Welding Gauntlets



### SPECIFICATIONS

■ Thickness	1.1-1.2mm
■ Leather	Cow Leather
■ Lined/Unlined	Lined
■ Heat Resistant Level	See Certificate
■ Kevlar Stitched	Yes
■ Cat. II	EN388 EN407 EN12477

### 1988

**Premium Gold MIG Gauntlet** – Size 10  
*Gold 16" split leather with black leather reinforced palm – Kevlar stitched*  
Qty: 10-60



### 2449

**Heat Reflective Handshield**  
*Kevlar stitched*  
Qty: 1-100



**SWP**

**1949**  
**MIG Gauntlet** – Size 10  
*Green 14" Lined*  
Qty: 1-60



**SWP**

**1942**  
**MIG Gauntlet** – Size 10  
*Red 14" split leather with gold leather reinforced palm – Kevlar stitched*  
Qty: 1-60



**SWP**

**1948**  
**MIG Gauntlet** – Size 10  
*Red 14" Lined*  
Qty: 1-60



## MIG Welding Gauntlets



**WELDAS®**

**2412**  
**MIG Gauntlet** – Bucktan Wide Body  
 Comfort lining, reinforced palm –  
 Kevlar stitched  
 Qty: 1-40



**WELDAS®**

**2413**  
**MIG Gauntlet** – Blue Cowhide  
 Comfoflex, reinforced palm –  
 Kevlar stitched  
 Qty: 1-40



**WELDAS®**

**2415**  
**MIG Gauntlet** – Aluminised Back  
 COMFOflex®, flame retardant lining, heat  
 reflective – Kevlar stitched  
 Qty: 1-40



**WELDAS®**

**2416**  
**MIG Gauntlet**  
 Reinforced thumb –  
 Kevlar stitched  
 Qty: 1-40



**WELDAS®**

**10-2750**  
**PREMIUM MIG Gauntlet**  
 Backhand COMFOflex® lined  
 and cuff cotton lined – Back  
 palm reversed grain (suede)  
 Qty: 1-40



**ejendals**

**TEGERA-19**  
**MIG Gauntlet** – Size 10/XL  
 Yellow/Grey seams  
 Qty: 6-60

## RIGGER Gloves



**1986**  
**Premium Gold Rigger** – Size 10  
*Gold/black split leather reinforced palm*  
Qty: 10-120



**1983**  
**Premium Driver's Gloves** – Size 10  
*Grain leather lined*  
Qty: 10-200



**TEGERA-17**  
**Rigger Gloves** – Size 10/XL  
*Yellow Split Cowhide*  
Qty: 6-60



**1943**  
**Reinforced Palm Rigger** – Size 10  
Qty: 1-120



**1944**  
**Canadian Rigger** – Size 10  
Qty: 1-120



**1945**  
**Power Rigger** – Size 10  
Qty: 1-120

## DIPPED Gloves EN 1420 & EN 388



**1951**  
**PVC Glove** – Size 10  
*Red – Knitted wrist*  
Qty: 1-100



**1957** – Size 10  
**1957/S9** – Size 9  
**Gripper Glove** – Orange  
Qty: 1-120



**1958** – Size 10  
**1958/S9** – Size 9  
**Gripper Glove** – Green  
Qty: 1-120



**1959** – Size 10  
**1959/S9** – Size 9  
**Nitrile Glove** – Black  
Qty: 12-120

# Premium Protective Clothing

## Jackets & Trousers

**SWP**

**WELDAS**

**Class 2 Jacket – Full Leather**

**Class 1 Leather Ladies Jacket with FR Back**



**1908** – L – 42-44"  
**1909** – XL – 46-48"  
**Class 2 Welder's Jacket Black flame retardant back – Kevlar stitched**  
 Qty: 1-10



**38-4336** – L, XL  
**Reflective Heavy Duty Jacket**  
 Also available without Hi-Vis  
 Qty: 1



**44-7300L** – 81 cm L x 112 cm W  
**44-7300XL** – 86 cm L x 124 cm W  
**44-7300XXL** – 91 cm L x 136 cm W  
 Qty: 1



**44-7300S/P-AQ** – 76 cm L x 98 cm W  
**44-7300M/P-AQ** – 76 cm L x 110 cm W  
 Qty: 1



**1910L / 1910XL**  
**Class 2 Welder's Trousers – Kevlar stitched**  
 Qty: 1-10



**38-4340L** – 140 cm  
**38-4340XL** – 144 cm  
**Class 2 Heavy Duty Trousers**  
 Qty: 1



**44-7440/7648L** – 140 cm  
**44-7440/7648XL** – 144 cm  
**44-7440/7648XXL** – 148 cm  
**Class 2 Leather Trousers & Braces**  
 Qty: 1

## Accessories



**2459** – 3.0 m  
**2460** – 6.7 m  
**Leather Cable Cover**  
 22mm diameter,  
 Zip fastening  
 Qty: 1



**20-3100V**  
**Helmet Comforter – 22 cm**  
 Qty: 1

## Chrome Leather Jacket & Trousers

**1833**  
L – 42-44"  
Qty: 1-10

**1834**  
XL – 46-48"  
Qty: 1-10

**1835**  
XXL – 50-52"  
Qty: 1-10



**1841**  
L – 40-42"  
Qty: 1-10

**1842**  
XL – 44-46"  
Qty: 1-10



## Red Leather Jacket

**1902**  
L – 42-44"  
*Kevlar stitched*  
Qty: 1-10

**1903**  
XL – 46-48"  
*Kevlar stitched*  
Qty: 1-10

**1904**  
XXL – 50-52"  
*Kevlar stitched*  
Qty: 1-10



## Red & Chrome Leather Sleeves

**1913**  
Red – 14"  
*Kevlar stitched*  
Qty: 1-50



**1870**  
Chrome – 14"  
Qty: 1-50



**1914**  
Red – 18"  
*Kevlar stitched*  
Qty: 1-50

**1871**  
Chrome – 18"  
Qty: 1-50

**1872**  
Chrome – 24"  
Qty: 1-50

## Premium Leather Sleeves

**1907**  
Gold – 18" –  
*Kevlar stitched*  
Qty: 1-10



## Chrome Leather Gaiters

**1890**  
9" Velcro  
Qty: 1-50

**1892**  
14" Velcro  
Qty: 1-50

**1891**  
12" Velcro  
Qty: 1-50

**1893**  
16" Velcro  
Qty: 1-50



## Premium Leather Gaiters

**1911**  
Welder's Gaiters  
Qty: 1-10





## Leather Aprons EN 11611 Class II

WELDAS®



**44-7142**  
Leather Apron  
107 cm L x 60 cm W  
Qty: 1



**38-4342**  
Heavy Duty Apron  
107 cm L x 60 cm W  
Qty: 1



**1905**  
Premium Gold Leather  
Apron – Buckle & Strap  
24" x 36"  
Kevlar stitched  
Qty: 1-10



**1896**  
Red Leather Apron & Ties  
24" x 36"  
Kevlar stitched  
Qty: 1-50



**1897**  
Red Leather Apron & Ties  
24" x 42"  
Kevlar stitched  
Qty: 1-50



**1898**  
Red Leather Apron & Ties  
24" x 48"  
Kevlar stitched  
Qty: 1-50



**1899**  
Red Leather Apron –  
Buckle & Strap  
24" x 36"  
Kevlar stitched  
Qty: 1-50



**1820**  
Chrome Leather  
Apron & Ties  
24" x 36"  
Qty: 1-50



**1821**  
Chrome Leather  
Apron & Ties  
24" x 42"  
Qty: 1-50



**1822**  
Chrome Leather  
Apron & Ties  
24" x 48"  
Qty: 1-50



**1823**  
Chrome Leather Apron  
Buckle & Strap  
24" x 36"  
Qty: 1-50



**1824**  
Chrome Leather  
Waist Apron & Ties  
24" x 18"  
Qty: 1-50

Safety  
& PPE

# Flame Retardant Protective Clothing

## Hoods

**WELDAS®**



**1906**  
Welder's Hood – Velcro fastening  
Qty: 1-10



**23-3615**  
Flame Retardant  
Bandana  
Qty: 1



**23-7733**  
Winter Helmet  
Liner  
Qty: 1



**23-6680 / 23-6680XL**  
Flame Retardant  
Helmet Hood  
Qty: 1



**23-6690**  
Flame Retardant  
Helmet Hood  
Qty: 1



**1919**  
Hood with cape and Velcro  
fastening  
Qty: 1-100



**1920**  
Balaclava style hood  
Qty: 1-100



**1921**  
Hood with Velcro fastening  
Qty: 1-24

## Boiler Suit



**1915** – M – 42"  
**1916** – L – 46"  
**1917** – XL – 50"  
**1918** – XXL – 52"  
Qty: 1-25

## Genuine Kromer Caps



Part No.	Description	Qty
<b>1960</b>	Kromer Cap – size 67/8"	1
<b>1961</b>	Kromer Cap – size 7"	1
<b>1962</b>	Kromer Cap – size 7 1/8"	1
<b>1963</b>	Kromer Cap – size 7 1/4"	1

Part No.	Description	Qty
<b>1964</b>	Kromer Cap – size 7 3/8"	1
<b>1965</b>	Kromer Cap – size 7 1/2"	1
<b>1966</b>	Kromer Cap – size 7 5/8"	1
<b>1967</b>	Kromer Cap – size 7 3/4"	1

## Knee Pads



**1584**  
Black Heavy Duty Knee Pads with  
Velcro strap  
Qty: 1-25



## Welding Blankets EN 13501-1: 2013

### 0.4mm – No PU Coating – 430g/psm

Part No.	Description	Qty
<b>1825</b>	1m x 50m Roll Fibre Glass Welding Blanket – 600°C	1
<b>1826</b>	2m x 1m Fibre Glass Welding Blanket – 600°C	1
<b>1827</b>	2m x 2m Fibre Glass Welding Blanket – 600°C	1
<b>1828</b>	3m x 2m Fibre Glass Welding Blanket – 600°C	1

Note: The above blankets must be hung vertically

### 0.6mm – PU Coating – 660g/psm

Part No.	Description	Qty
<b>1812</b>	1m x 50m Roll Fibre Glass Welding Blanket – 600°C	1
<b>1813</b>	2m x 1m Fibre Glass Welding Blanket – 600°C	1
<b>1814</b>	2m x 2m Fibre Glass Welding Blanket – 600°C	1
<b>1815</b>	3m x 2m Fibre Glass Welding Blanket – 600°C	1

Note: The above blankets must be hung vertically

### 1.5mm – 1000g/psm

Part No.	Description	Qty
<b>1805</b>	2m x 1m Fibre Glass Welding Blanket – 1000°C	1
<b>1806</b>	2m x 2m Fibre Glass Welding Blanket – 1000°C	1

### 0.9mm – 600g/psm

Part No.	Description	Qty
<b>1816</b>	2m x 900mm Silicate Fibre Welding Blanket – 1200°C	1
<b>1817</b>	2m x 1800mm Silicate Fibre Welding Blanket – 1200°C	1
<b>1818</b>	3m x 1800mm Silicate Fibre Welding Blanket – 1200°C	1



GENUINE  
**FUTURIS** BY **SWP**

### Light Duty – 550° Max

Part No.	Description	Qty
<b>ZYFUTBL-LD-1X25</b>	Light Duty 1m x 25m Roll	1

### Medium Duty – 750° Max

Part No.	Description	Qty
<b>ZYFUTBL-MD-1X25</b>	Medium Duty 1m x 25m Roll	1

### Heavy Duty – 1300° Max

Part No.	Description	Qty
<b>ZYFUTBL-HD-1X25</b>	Heavy Duty 1m x 25m Roll	1

## Welding Shelter

---



Safety  
& PPE

Part No.	Description	Qty
<b>1475</b>	2 x 2 x 2m Shelter Complete – <i>Flame Retardant</i>	1
<b>1456</b>	Shelter Frame	1
<b>1804</b>	Shelter Cover	1

## Complete Welding Booth EN 1508

---



Part No.	Description	Qty
<b>1457</b>	6' x 6' x 6' Welding Booth	1

- Each section easily slides in for locking
- No tools required for assembly
- Pipe joints have screwless push-fit snap locks
- Made of 1 inch (25mm) round tube
- Supplied in a single carton

## Complete Welding Curtain Kit BS 5867



Part No.	Description	Qty
<b>1455</b>	8' x 6' Welding Curtain Kit	1

- Kit contains telescopic frame which allows for 6' x 6' or 8' x 6' frame option and supplied with EN 1598 8' x 6' green curtain



- All frames supplied in a cardboard box for easy transportation and storage

## Welding Curtains & Frames EN 25980



Part No.	Description	Qty
<b>1458</b>	4' x 6' Fibreglass Flame Retardant Curtain	10
<b>1468</b>	6' x 6' Fibreglass Flame Retardant Curtain	10
<b>1469</b>	8' x 6' Fibreglass Flame Retardant Curtain	10

Part No.	Description	Qty
<b>1460</b>	4' x 6' Green Curtain	10
<b>1470</b>	6' x 6' Green Curtain	10
<b>1471</b>	8' x 6' Green Curtain	10

Part No.	Description	Qty
<b>1459</b>	4' x 6' Steel Curtain Frame	1
<b>1473</b>	6' x 6' Steel Curtain Frame – Extendable	1
<b>1474</b>	Curtain Rings - 4 x 6 = 22, 6 x 6 = 24, 8 x 6 = 28	10

Part No.	Description	Qty
<b>1461</b>	4' x 6' Orange Curtain	10
<b>1462</b>	6' x 6' Orange Curtain	10
<b>1463</b>	8' x 6' Orange Curtain	10

## Welding Cushion

Part No.	Description	Qty
<b>1810</b>	410 x 410 x 230mm – <i>Leather and heat-resistant</i>	1



600° C welding blanket material on reverse side

## High Temperature Welding Backing Tape

- 1819**
- Ideal for open gap and root applications 1-3mm
  - Easily cut to required length
  - For use with Mig, Tig and MMA
- Qty: 1 x 10m roll

