

**SWP**<sup>TM</sup>

**Selected by  
Professionals**

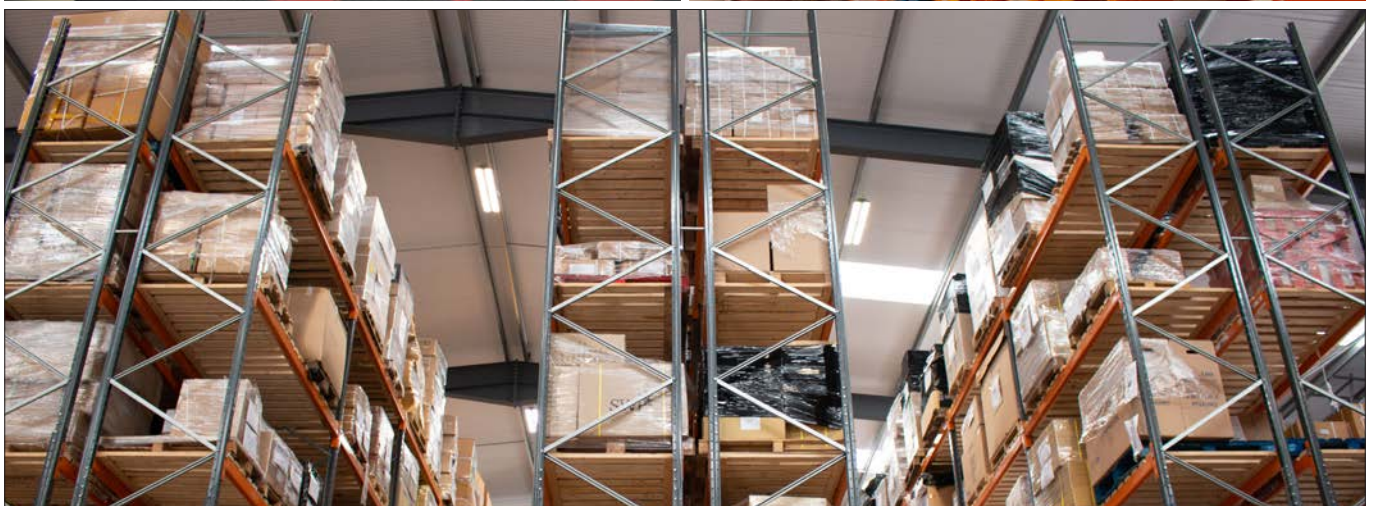
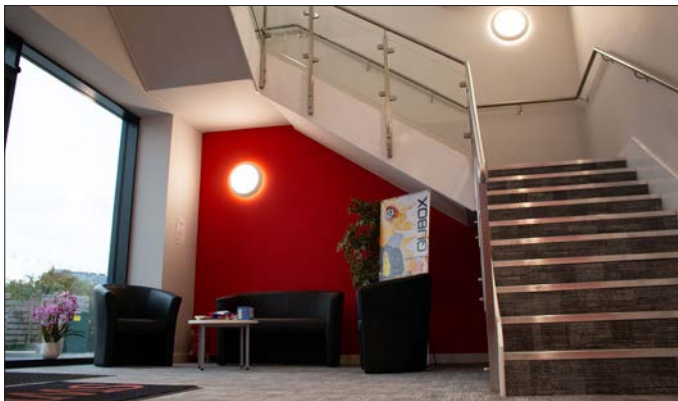


**3M**

**Speedglas**<sup>TM</sup>  
Welding Safety



# SWP National Distribution Depot, Haydock



*Proud to serve the Welding Industry for 30 years*

# Contents

---

## 3M™ Welding Shields & 3M™ Respiratory Protection

Choose your 3M™ Speedglas Protection	4-5
3M™ Speedglas™ Heavy Duty Welding Helmet G5-01	7-9
3M™ Speedglas™ Welding Helmet G5-02	10-11
3M™ Speedglas™ Welding Helmet 9100 AIR Systems	12-13
3M™ Speedglas™ Welding Helmet 9100 FX-AIR Systems	14-15
3M™ Speedglas™ Welding Helmet 9100 MP & 9100 MP-LITE	16-17
3M™ Speedglas™ Welding Helmets 9100 & Filters	18-19
3M™ Speedglas™ Welding Helmets 9100 FX & Filters	20-21
3M™ Speedglas™ Welding Helmet 9002NC & Filters	22-23
3M™ Speedglas™ Welding Helmets 100 & 100QR	24-25
3M™ Speedglas™ Filter Range	26
<b>3M™ Adflo™ Powered Air Respirator</b>	
3M™ Adflo™ Powered Air Respirator	27-29
<b>3M™ Versaflo™ Powered Air Headtops &amp; Systems</b>	
3M™ Versaflo™ Headtops	30-31
3M™ Versaflo™ TR-300E+ HIK Ready to Use Starter Kit & 3M™ Versaflo™ TR-315+ Powered Air Starter Kit	32-33
3M™ Versaflo™ TR-600E HIK Ready to Use Starter Kit & 3M™ Versaflo™ TR-619UK Powered Air Starter Kit	34-35
3M™ Versaflo™ TR-800E HIK Ready to Use Starter Kit & 3M™ Versaflo™ TR-819UK Powered Air Starter Kit	36-37
3M™ Versaflo™ Supplied Air Regulators	38-39

## 3M™ Respiratory Protection

### Reusable Half & Full Face Masks

3M™ Secure Click™ Half Mask Reusable Respirator HF800 Series & Filters	40
3M™ Reusable Half Masks 6500QL Series	41
3M™ 7500 Series Half Face Mask Respirator	41
3M™ 6000 Series Half Mask	42
3M™ 6000 Series Full Face Mask Respirator	42

### Maintenance Free Half Masks

3M™ Maintenance Free Reusable Half Mask 4000+ Series	43
3M™ Coolflow™ Fan 1040 Series	43

### Disposable Respirators

3M™ Aura™ 9300+ Series Disposable Respirators	44
3M™ Disposable Respirators 8825+ & 8835+	44
3M™ 8000 Series Cup Shaped Respirators	44

## 3M™ Eye Protection

### Safety Glasses

3M™ Securefit™ 100 Safety Glasses	45
3M™ Securefit™ SF200 Series Protective Eyewear	45
3M™ Securefit™ 500 Safety Glasses	45

### Safety Goggles

3M™ Safety Goggles 2890 Series	46
3M™ GoggleGear™ 6000 Series Safety Goggles	46

## 3M™ Industrial Abrasives

### Premium Cutting & Grinding Discs

Cut-off Wheels	49
Grinding Wheels	50-51
Fibre Discs & Flap Discs	51
Hookit™ Sanding Discs	51
Clean & Strip Disc	52
Unitised Discs	52
Surface Conditioning Discs	52
Refining/Surface Preparation	53



# 3M™ Welding Shields & 3M™ Respiratory Protection



**Speedglas™**  
Welding Safety

Choose your 3M™ Speedglas™ Welding Helmet



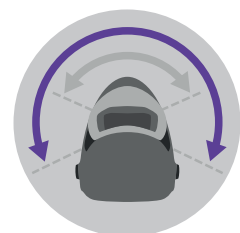
Welding helmet features	G5-01	G5-02	9100	9100-AIR	9100 FX
<b>Eye and Face Protection</b>	EN 175:F, EN 379, EN 166:F	EN 175:F, EN 379, EN 166:F	EN 175:B, EN 379, EN 166:BT	EN 175:B, EN 379, EN 166:BT	EN 175:B, EN 379, EN 166:BT
<b>Head protection</b>	N/A	N/A	N/A	N/A	EN397**
<b>Respiratory protection</b>	Powered or supplied air	Disposable or reusable respirator	Disposable or reusable respirator	Powered or supplied air	Disposable or reusable respirator
<b>Hearing protection options</b>	NO	NO	YES	YES	YES
<b>1 – Exhaust vents</b>	N/A	N/A	YES	N/A	YES
<b>2 – Side windows</b>	NO	NO	Optional	YES	YES
<b>3 – High-comfort headband</b>	YES	YES	YES	YES	YES
<b>4 – Flip-up with clear visor</b>	YES	NO	NO	NO	YES
<b>Part No additional coverage:</b>					
<b>Flame-retardant head cover</b>	#169023	NO	#169005	#169005	#169007
<b>Reflective helmet cover</b>	#169021	NO	NO	NO	NO
<b>Flame-retardant neck protection</b>	#169041	NO	#169010	#169010	#169010
<b>Flame-retardant hood</b>	#169035	NO	#169100	#169100	#169100
<b>Ear and neck cover in leather</b>	#169042	NO	#164005	#164005	#164005
<b>Welding filter options</b>	ADF: G5-01VC, G5-01TW	ADF: G5-02	ADF: 9100V, 9100X, 9100XX, 9100XXi Passive	ADF: 9100V, 9100X, 9100XX, 9100XXi Passive	ADF: 9100V, 9100X, 9100XX, 9100XXi Passive

\* with 3M™ Safety Helmet H-701.

\*\* with 3M™ Safety Helmet G-3001 (adaptor #197136 is required).



**1 – Exhaust vents –**  
exhaled air is channeled  
out via side exhaust vents



**2 – Side windows –**  
shade 5 filters that widen  
your field of vision





## Choose your 3M™ Speedglas™ Welding Helmet



9100 FX-AIR	9100MP	9100MP-Lite	9002NC	100	100-QR
EN 175:B, EN 379, EN 166:BT	EN 175:B, EN 379, EN 166:BT	EN 175:B, EN 379, EN 166:BT	EN 175:B, EN 379, EN 166:BT	EN 175:B, EN 379, EN 166:BT	EN 175:B, EN 379, EN 166:BT
N/A	EN 397	EN 812	N/A	N/A	EN397*
Powered or supplied air	Powered or supplied air	Powered or supplied air	Disposable or reusable respirator	Disposable or reusable respirator	Disposable or reusable respirator
YES	YES	YES	YES	YES	YES
N/A	N/A	N/A	YES	NO	NO
YES	YES	YES	NO	NO	NO
YES	N/A	N/A	YES	YES	N/A
YES	YES	YES	NO	NO	NO
#169007 NO #169010 #169100 #164005	NO #169014 #169015 #169100 #164005	NO #169014 #169015 #169100 #164005	#164009 NO #169001 #169100 #164005	#164009 NO #169001 #169100 #164005	NO NO #169001 #169100 #164005
ADF: 9100V, 9100X, 9100XX, 9100XXi Passive	ADF: 9100V, 9100X, 9100XX, 9100XXi Passive	ADF: 9100V, 9100X, 9100XX, 9100XXi Passive	ADF: 9002NC	ADF: 100-V Passive	ADF: 100-V Passive

\* with 3M™ Safety Helmet H-701.

\*\* with 3M™ Safety Helmet G-3001 (adaptor #197136 is required).



**3** – Adjustable  
high-comfort headband



**4** – Big, curved 17 x 10 cm clear  
protective visor, increasing  
your peripheral vision







## 3M™ Speedglas™ Heavy Duty Welding Helmet G5-01



The 3M™ Speedglas™ Welding Helmet G5-01 fits both your 3M™ Adflo™ Powered air Respirator as well as the 3M™ Versaflo™ Supplied Air Regulators.

Based on extensive input from welders working on heavy-duty, high-amperage welding and grinding, it's an auto-darkening helmet designed to be as versatile as you are.



### Speedglas Welding Filter G5-01TW

Part No.	Description
<b>61 78 20</b>	<b>Complete powered air system</b> Helmet G5-01 with welding filter G5-01TW and Adflo high altitude respirator
<b>61 78 29</b>	<b>Complete powered air system + consumable starter kit</b> Helmet G5-01 with welding filter G5-01TW, consumable kit (79 20 00) and Adflo high altitude respirator
<b>61 11 20</b>	<b>Upgrade your old powered air system</b> Helmet G5-01 with welding filter G5-01TW

### Speedglas Welding Filter G5-01VC

Part No.	Description
<b>61 78 30</b>	<b>Complete powered air system</b> Helmet G5-01 with welding filter G5-01VC and Adflo high altitude respirator
<b>61 78 39</b>	<b>Complete powered air system + consumable starter kit</b> Helmet G5-01 with welding filter G5-01VC, consumable kit (79 20 00) and Adflo high altitude respirator
<b>61 11 30</b>	<b>Upgrade your old powered air system</b> Helmet G5-01 with welding filter G5-01VC





## 3M™ Speedglas™ Heavy Duty Welding Helmet G5-01 – Accessories

These accessories are offered so that the G5-01 can be configured to meet individual preferences and application needs



BPK-01



83 50 20



16 90 30



16 91 00



16 20 21



16 90 23



83 71 10



83 71 20



83 72 42  
83 75 42



16 92 00



16 90 20



16 90 22



16 90 41



16 90 42



16 90 43

Part No.	Description
16 90 20	Head protection – fabric
16 90 21	Head protection – fluorescent yellow
16 90 22	Head protection – leather
16 90 23	Head protection – fabric (large)
16 90 24	Scrape guard (not shown)
16 90 30	Shroud
16 90 35	Extended cover kit (shroud and large head cover – fabric)
16 90 41	Neck protection – fabric (small)
16 90 42	Neck protection – fabric (large)

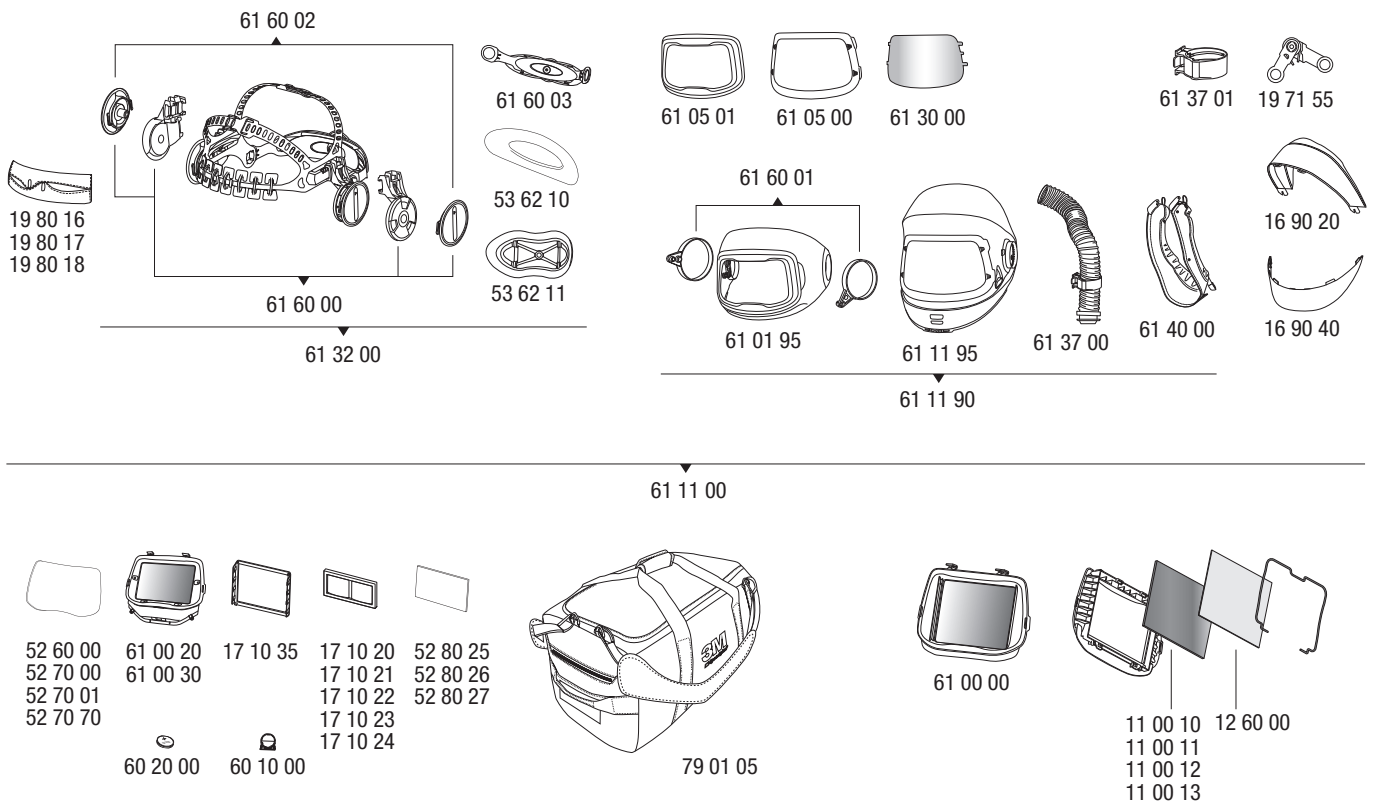
Part No.	Description
16 90 43	Neck protection – leather
16 92 00	Task light, including mounting parts and cables
16 92 05	Protection plate for task light, pack of 5
16 92 10	Long power cable for task light
16 92 11	Short power cable for task light
16 92 23	Pouch with Adflo battery for task light when using supplied air regulator (not shown)

Part No.	Description
83 40 18	Flame resistant breathing tube cover (recommended when using the task light)
83 50 20	Braces for respirator
83 71 10	Adflo odour filter
83 71 20	Odour filter pad
83 72 42	Adflo gas filter A1B1E1
83 75 42	Adflo gas filter A2





## 3M™ Speedglas™ Heavy Duty Welding Helmet G5-01 – Spares & Accessories



Part No.	Description
11 00 10	Passive welding filter lens shade 10
11 00 11	Passive welding filter lens shade 11
11 00 12	Passive welding filter lens shade 12
11 00 13	Passive welding filter lens shade 13
12 60 00	Inner cover plate for passive filter
16 90 20	Head protection – fabric (small)
16 90 40	Neck protection – rigid
17 10 20	Magnifying lens 1.0
17 10 21	Magnifying lens 1.5
17 10 22	Magnifying lens 2.0
17 10 23	Magnifying lens 2.5
17 10 24	Magnifying lens 3.0
17 10 35	Magnifying lens holder
19 71 55	Hinge mechanism, 1 pair
19 80 16	Sweatband – towelling, pack of 3
19 80 17	Sweatband – fleecy cotton, pack of 3
19 80 18	Sweatband – leather
52 60 00	Outer protection plate (standard), pack of 10
52 70 00	Outer protection plate (scratch), pack of 10

Part No.	Description
52 70 01	Outer protection plate (scratch+), pack of 10
52 70 70	Outer protection plate (heat), pack of 10
52 80 25	Inner cover plate, pack of 5
53 62 10	Cushion part for headband G5-01
53 62 11	Large head rest
60 10 00	Battery holder
60 20 00	Battery CR2450
61 00 11	Speedglas passive welding filter kit G5-01 (shade 11)
61 00 20	Speedglas welding filter G5-01TW
61 00 30	Speedglas welding filter G5-01VC
61 01 95	Outer shield
61 05 00	Front cover for inner visor
61 05 01	Front cover for flip-up
61 11 00	Welding helmet G5-01, without welding filter
61 11 90	Welding helmet G5-01, without welding filter, without neck or head protection
61 11 95	Inner shield with airt duct and airflow controls (including visor frame)

Part No.	Description
61 30 00	Visor plate, anti-fog and hardcoated, pack of 5
61 32 00	Headband with assembly parts
61 37 00	Air duct breathing tube (short) including holder
61 37 01	Holder for breathing tube
61 40 00	Face seal
61 60 00	Pivot and sliding mechanism, including pivot knobs
61 60 01	Pivot rings for outer shield
61 60 02	Pivot knobs
61 60 03	Headband back part
61 78 00	Helmet G5-01, without welding filter, with Adflo powered air respirator
61 78 09	Helmet G5-01, without welding filter, with Adflo powered air respirator and consumable starter kit
79 01 05	Carry bag
79 20 00	Consumable starter kit G5-01, includes 3 different sweatbands, face seal, visor plate, inner and outer cover plates



## 3M™ Speedglas™ Welding Helmet G5-02

The world's first curved auto-darkening filter with the 3M™ Speedglas™ Welding Helmet G5-02.

Featuring Curved Glass Technology, the welding filter follows the curved shape of your head and is more in line with the range of your peripheral vision.

- Designed for high-end TIG welders
- Curved welding filter technology tested and approved by professional TIG welders
- New world standard for precision welding filter viewing
- Slim style helmet created to optimise view and comfort
- Filter reliably switches even at very low (eg 1 amp) TIG settings, meeting the new pr ISO 16321 'TIG+' standards
- New exhaled air venting design reduces heat and humidity for added comfort
- Four arc sensors
- Natural colour technology
- Magnifying lens options
- 3M Connected Equipment App available for logging maintenance, statistics, activation etc



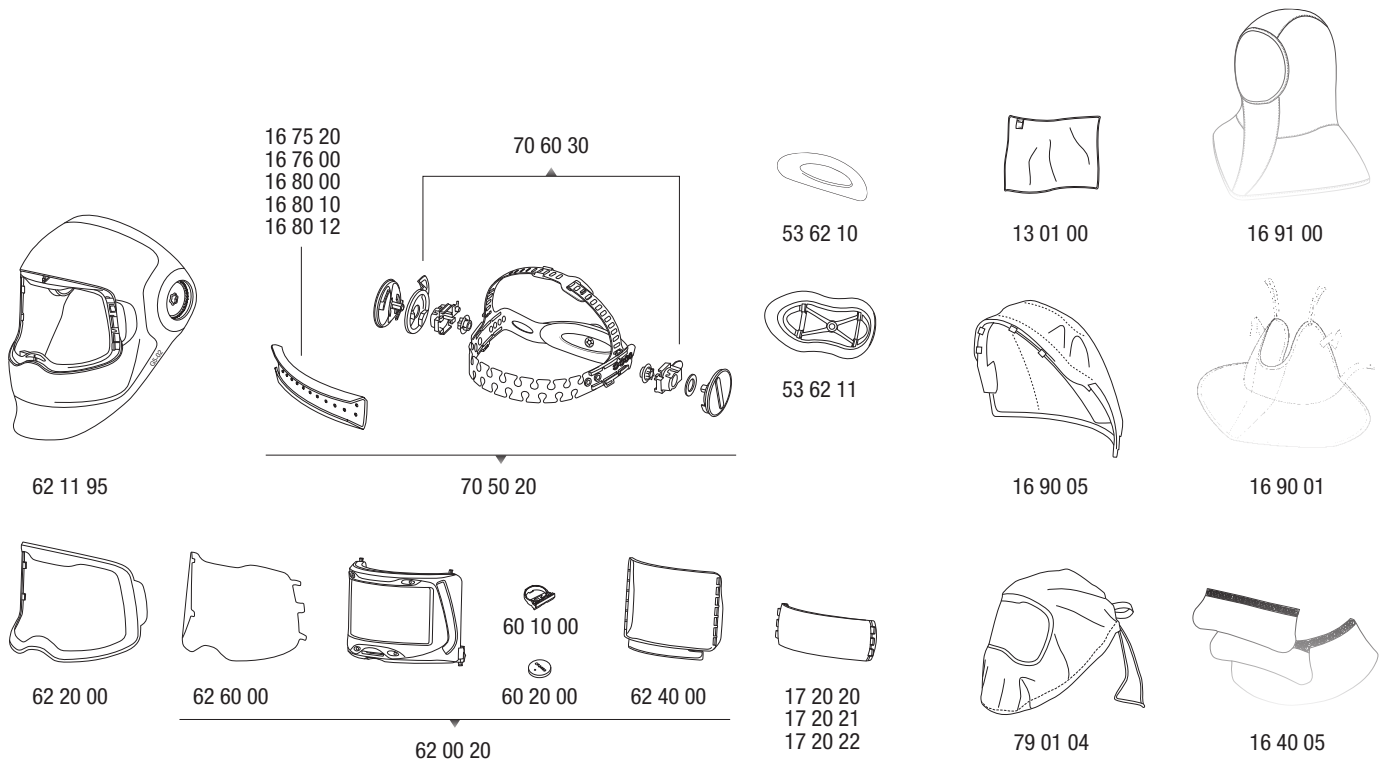
Part No.	Description
62 11 20	Including curved welding filter, headband, cleaning wipe and storage bag







## 3M™ Speedglas™ Welding Helmet G5-02 – Spares & Accessories



Part No.	Description
16 80 15	3M cleaning wipe
16 40 05	Ear and neck protection in leather (3 parts)
16 90 05	Head protection in fabric
16 75 20	Sweatband, towelling, purple, pack of 2
16 76 00	Sweatband, towelling, pack of 20
16 80 00	Sweatband, leather
16 80 10	Sweatband in fleecy cotton (length 24 cm), pack of 2
16 80 12	Sweatband in fleecy cotton (length 21 cm), pack of 2
16 90 01	Neck protection
16 91 00	Hood black/grey
17 20 20	Magnifying lens x1.5
17 20 21	Magnifying lens x2.0
17 20 22	Magnifying lens x2.5
53 62 10	Cushion part for headband
53 62 11	Large head rest
60 10 00	Battery holder
60 20 00	Battery CR2450 Lithium 3V
62 00 20	Curved welding filter G5-02, including inner and outer protection plates

Part No.	Description
62 11 20	Helmet G5-02 with welding filter, headband, cleaning wipe and bag
62 11 95	Helmet without welding filter, without headband, without front cover
62 20 00	Front cover
62 40 00	Inner protection plates, pack of 2
62 60 00	Scratch resistant outer protection plate, pack of 5
70 50 20	Headband with assembly parts and sweatband
70 60 30	Assembly parts (pivots) for headband
79 01 04	Helmet storage bag



## 3M™ Speedglas™ Welding Helmet 9100 AIR Systems



The Speedglas 9100 AIR Series Welding Shields together with 9100 Series Welding Filters are designed for most welding processes, such as MMA, MIG/MAG, TIG, plasma welding and oxyacetylene welding/cutting. The Speedglas 9100 FX Welding Shield is excellent for welding preparations such as grinding thanks to the large clear viewing area. The Speedglas 9100 Air Welding Shield is designed to be used with 3M Air Delivery Units.

### FEATURES

- Easy to operate and maintain
- Has multiple adjustments for highest comfort on Shield and head band
- Can be used together with many 3M Reusable and Maintenance Free Respirators for welding. (non air version)
- Large Clear Visor
- Side Windows

### HELMET SYSTEMS WITH POWERED AIR

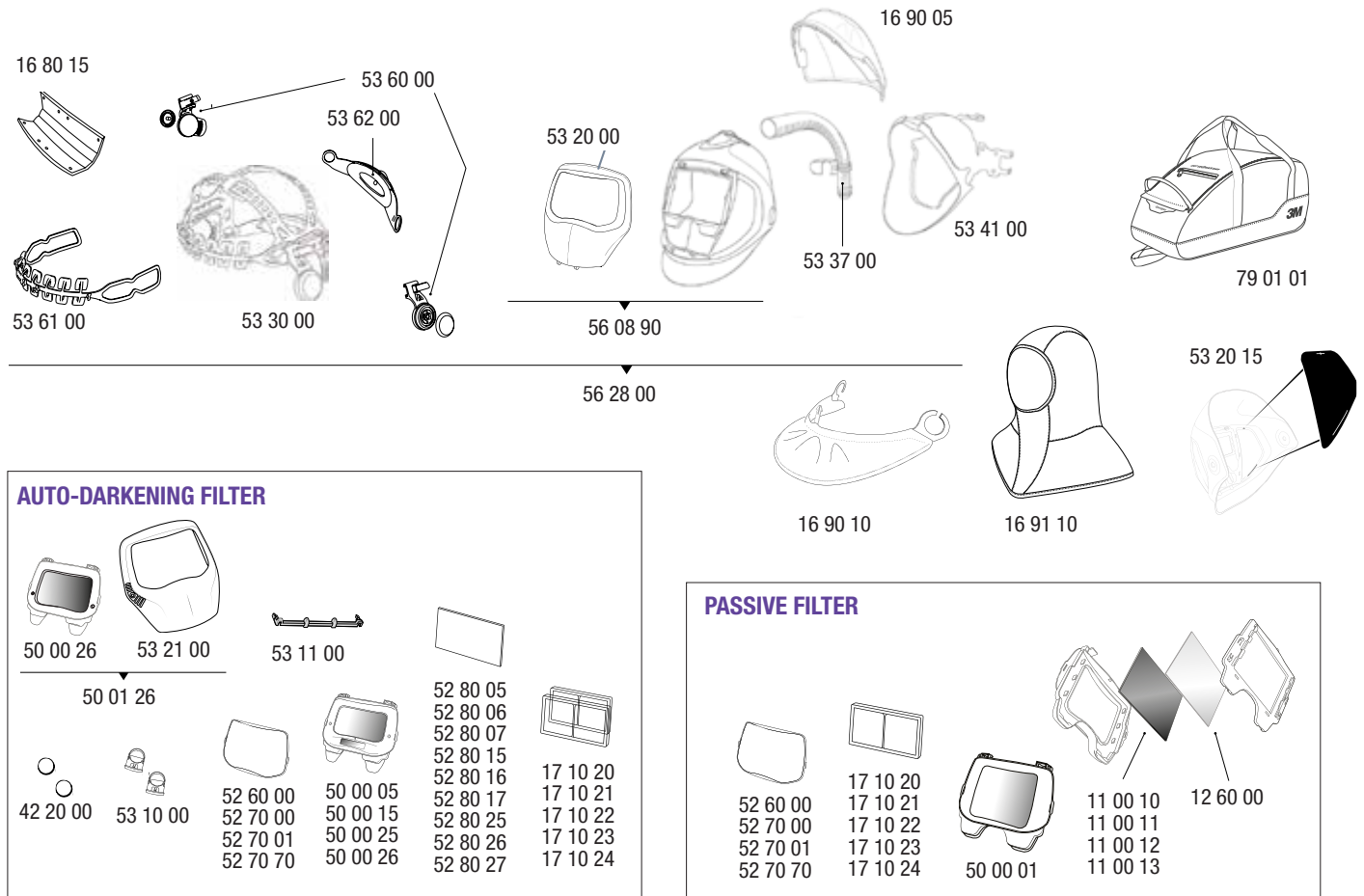
Part No.	Description
<b>56 77 00</b>	Without welding filter, with Adflo powered air respirator
<b>56 77 00 + 50 00 25</b>	With Speedglas welding filter 9100X (54 x 107 mm) and Adflo powered air respirator
<b>56 77 25</b>	With Speedglas welding filter 9100XX (73 x 107 mm) and Adflo powered air respirator
<b>56 77 26</b>	With Speedglas welding filter kit 9100XXi, including welding filter (73 x 107 mm) and front cover, with Adflo powered air respirator

*Also available with supplied air option*





## 3M™ Speedglas™ Welding Helmet 9100 AIR Systems – Spares & Accessories



**AUTO-DARKENING FILTER**

50 00 26    53 21 00    53 11 00

50 01 26

42 20 00    53 10 00

52 60 00    50 00 05

52 70 00    50 00 15

52 70 01    50 00 25

52 70 70    50 00 26

52 80 05    17 10 20

52 80 06    17 10 21

52 80 07    17 10 22

52 80 15    17 10 23

52 80 16    17 10 24

52 80 17

52 80 25

52 80 26

52 80 27

**PASSIVE FILTER**

52 60 00    17 10 20

52 70 00    17 10 21

52 70 01    17 10 22

52 70 70    17 10 23

50 00 01    17 10 24

11 00 10

11 00 11

11 00 12

11 00 13

12 60 00

Part No.	Description
16 80 15	Comfort sweatband, pack of 3
16 90 05	Head protection
16 90 10	Neck protection
16 91 00	Hood
17 10 20	Magnifying lens, 1.0
17 10 21	Magnifying lens, 1.5
17 10 22	Magnifying lens, 2.0
17 10 23	Magnifying lens, 2.5
17 10 24	Magnifying lens, 3.0
42 20 00	Battery CR2032 Lithium 3V, pack of 2
50 00 05	Speedglas welding filter 9100V
50 00 15	Speedglas welding filter 9100X
50 00 25	Speedglas welding filter 9100XX
50 00 26	Speedglas welding filter 9100XXi
50 01 26	Speedglas welding filter kit 9100XXi (including front cover and welding filter)
52 60 00	Outer protection plate, standard, pack of 10
52 70 00	Outer protection plate, standard, scratch resistant, pack of 10
52 70 01	Outer protection plate, extra scratch resistant, pack of 10

Part No.	Description
52 70 70	Outer protection plate, heat resistant, pack of 10
52 80 05	Inner cover plate for 9100V filter, pack of 5. Plate marking 117 x 50
52 80 06	Inner cover plate, +1 shade for 9100V filters, pack of 3
52 80 07	Inner cover plate, +2 shade for 9100V filters, pack of 3
52 80 15	Inner cover plate for 9100X filter, pack of 5. Plate marking 117 x 61
52 80 16	Inner cover plate, +1 shade for 9100X filter, pack of 3
52 80 17	Inner cover plate, +2 shade for 9100X filter, pack of 3
52 80 25	Inner cover plate for 9100XX/9100XXi filters, pack of 5. Plate marking 117 x 77
52 80 26	Inner cover plate, +1 shade for 9100XX/9100XXi filters, pack of 3
52 80 27	Inner cover plate, +2 shade for 9100XX/9100XXi filters, pack of 3
53 10 00	Battery holder, pack of 2
53 20 00	Heat-reflecting front cover 9100
53 20 15	Side windows cover plate, 2 pairs

Part No.	Description
53 21 00	Heat-reflecting front cover 9100XXi
53 30 00	Headband with assembly parts
53 37 00	Air duct
53 41 00	Face seal
53 60 00	Pivot mechanism, left and right
53 61 00	Headband, front part
53 62 00	Headband, back part
56 08 90	Speedglas welding helmet 9100 Air without headband, without air duct, without face seal, without welding filter
56 28 00	Speedglas welding helmet 9100 Air, without welding filter
79 01 01	Product storage bag



## 3M™ Speedglas™ Welding Helmet 9100 FX-AIR Systems



The Speedglas 9100 FX-AIR Series Welding Shields together with 9100 Series Welding Filters are designed for most welding processes, such as MMA, MIG/MAG, TIG, plasma welding and oxyacetylene welding/cutting. The Speedglas 9100 FX AIR Welding Shield is excellent for welding preparations such as grinding thanks to the large clear viewing area. The Speedglas 9100 FX AIR Welding Shield is designed to be used with 3M Air Delivery Units.

### FEATURES

- Easy to operate and maintain
- Has multiple adjustments for highest comfort on Shield and head band
- Can be used together with many 3M Reusable and Maintenance Free Respirators for welding. (non air version)
- Large Clear Visor
- Side Windows

### HELMET SYSTEMS WITH POWERED AIR

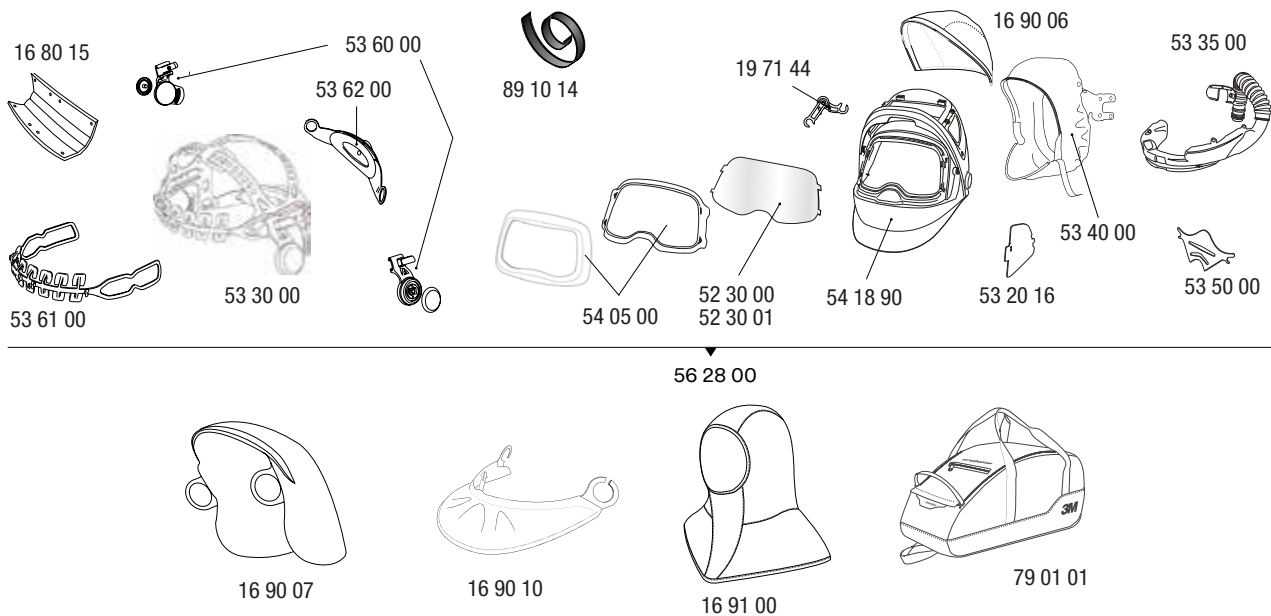
Part No.	Description
<b>54 77 00</b>	Without welding filter, with Adflo powered air respirator
<b>54 77 00 +</b>	With Speedglas welding filter 9100X (54 x 107 mm) and
<b>50 00 15</b>	Adflo powered air respirator
<b>54 77 00 +</b>	With Speedglas welding filter 9100XX (73 x 107 mm) and
<b>50 00 25</b>	Adflo powered air respirator
<b>54 77 26</b>	With Speedglas welding filter kit 9100XXi, including welding filter (73 x 107 mm) and front cover, with Adflo powered air respirator

*Also available with supplied air option*





## 3M™ Speedglas™ Welding Helmet 9100 FX-AIR Systems – Spares & Accessories



### AUTO-DARKENING FILTER

42 20 00	53 10 00	52 60 00	50 00 05	52 80 05	17 10 20
		52 70 00	50 00 15	52 80 06	17 10 21
		52 70 01	50 00 25	52 80 07	17 10 22
		52 70 70	50 00 26	52 80 15	17 10 23
				52 80 16	17 10 24
				52 80 17	
				52 80 25	
				52 80 26	
				52 80 27	

### PASSIVE FILTER

52 60 00	17 10 20	11 00 10	12 60 00
52 70 00	17 10 21	11 00 11	
52 70 01	17 10 22	11 00 12	
52 70 70	17 10 23	11 00 13	
	17 10 24		
50 00 01			

Part No.	Description
16 80 15	Comfort sweatband, pack of 3
16 90 06	Head protection (small)
16 90 07	Head protection (large)
16 90 10	Neck protection
16 91 00	Hood
17 10 20	Magnifying lens, 1.0
17 10 21	Magnifying lens, 1.5
17 10 22	Magnifying lens, 2.0
17 10 23	Magnifying lens, 2.5
17 10 24	Magnifying lens, 3.0
19 71 44	Hinge mechanism, 2 pieces
42 20 00	Battery CR2032 Lithium 3V, pack of 2
50 00 05	Speedglas welding filter 9100V
50 00 15	Speedglas welding filter 9100X
50 00 25	Speedglas welding filter 9100XX
50 00 26	Speedglas welding filter 9100XXi
52 30 00	Visor plate, standard, pack of 5
52 30 01	Visor plate, anti fog, pack of 5
52 60 00	Outer protection plate, standard, pack of 10
52 70 00	Outer protection plate, scratch resistant, pack of 10

Part No.	Description
52 70 01	Outer protection plate, extra scratch resistant, pack of 10
52 70 70	Outer protection plate, heat resistant, pack of 10
52 80 05	Inner cover plate for 9100V filter, pack of 5. Plate marking 117 x 50
52 80 06	Inner cover plate, +1 shade for 9100V filters, pack of 3
52 80 07	Inner cover plate, +2 shade for 9100V filters, pack of 3
52 80 15	Inner cover plate for 9100X filter, pack of 5. Plate marking 117 x 61
52 80 16	Inner cover plate, +1 shade for 9100X filter, pack of 3
52 80 17	Inner cover plate, +2 shade for 9100X filter, pack of 3
52 80 25	Inner cover plate for 9100XX/9100XXi filters, pack of 5. Plate marking 117 x 77
52 80 26	Inner cover plate, +1 shade for 9100XX/9100XXi filters, pack of 3
52 80 27	Inner cover plate, +2 shade for 9100XX/9100XXi filters, pack of 3
53 10 00	Battery holder, pack of 2

Part No.	Description
53 20 16	Side windows cover plate, 2 pairs
53 30 00	Headband with assembly parts
53 35 00	Air duct
53 40 00	Face seal
53 50 00	Air deflector parts
53 60 00	Pivot mechanism, left and right
53 61 00	Headband, front part
53 62 00	Headband, back part
54 05 00	Front cover kit
54 18 90	Helmet without welding filter, without face seal, without air duct, without headband
54 28 00	Helmet without welding filter, with headband
79 01 01	Product storage bag
89 10 14	Velcro for head cover, pack of 2
89 10 15	9100 FX Air service kit (not shown)



## 3M™ Speedglas™ Welding Helmet **9100 MP** & **9100 MP-LITE**

Helmet systems with powered air – 3M Speedglas Welding Helmet **9100 MP**

- Multi Protection – 5 levels of protection: eye, face, head (safety helmet), respiratory and optional hearing protection

Helmet systems with supplied air – 3M Speedglas Welding Helmet **9100 MP-Lite**

- Multi Protection – 5 levels of protection: eye, face, head (bump cap), respiratory and optional hearing protection

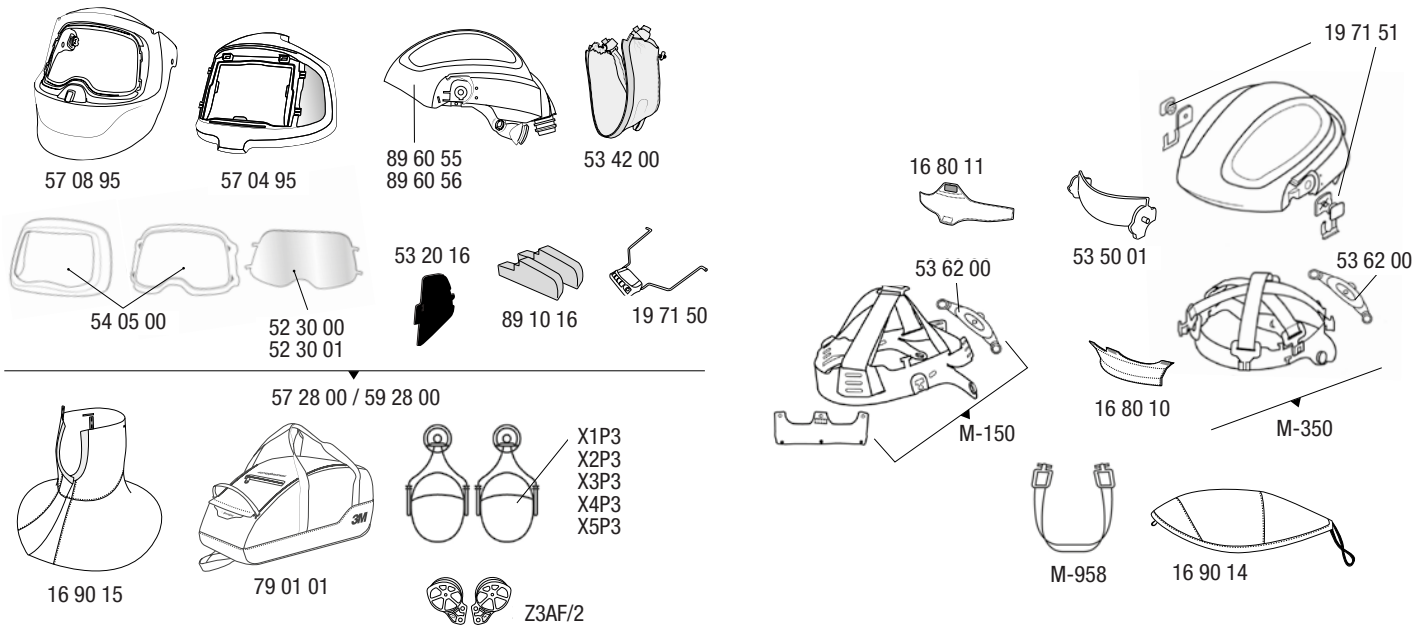
Part No.	Description
<b>57 77 00</b>	Welding helmet 9100MP without welding filter, with Adflo powered air respirator
<b>59 77 00</b>	Welding helmet 9100MP-Lite without welding filter, with Adflo powered air respirator
<b>57 77 00 + 50 00 15</b>	Welding helmet 9100MP with welding filter 9100X (54 x 107 mm) and Adflo powered air respirator
<b>57 77 00 + 50 00 15</b>	Welding helmet 9100MP welding filter 9100XX (73 x 107 mm) and Adflo powered air respirator
<b>57 77 26</b>	Welding helmet 9100MP welding filter 9100XXi (73 x 107 mm) and Adflo powered air respirator
<b>57 88 00</b>	Welding helmet 9100MP without welding filter, with Versaflo supplied air regulator V-500E

Please note, supplied air regulators with heating or cooling (V-100/V-200) only as separate order (not as system), see page 38.





## 3M™ Speedglas™ Welding Helmet 9100 MP & 9100 MP-LITE – Spares & Accessories



### AUTO-DARKENING FILTER

42 20 00

53 10 00

52 60 00

52 70 00

52 70 01

52 70 70

50 00 05

50 00 15

50 00 25

50 00 26

52 80 05

52 80 06

52 80 07

52 80 15

52 80 16

52 80 17

52 80 25

52 80 26

52 80 27

17 10 20

17 10 21

17 10 22

17 10 23

17 10 24

### PASSIVE FILTER

52 60 00

52 70 00

52 70 01

52 70 70

17 10 20

17 10 21

17 10 22

17 10 23

17 10 24

50 00 01

11 00 10

11 00 11

11 00 12

11 00 13

12 60 00

Part No.	Description
16 80 10	Sweatband 9100 MP, pkg of 2
16 80 11	Sweatband 9100 MP-Lite, for TH3 level of protection pkg of 2 (not included in M-150)
16 90 01	Head protection
16 90 14	Safety helmet cover
16 90 15	Shroud
17 10 20	Magnifying lens, 1.0
17 10 21	Magnifying lens, 1.5
17 10 22	Magnifying lens, 2.0
17 10 23	Magnifying lens, 2.5
17 10 24	Magnifying lens, 3.0
19 71 50	Flip-up mechanism
19 71 51	Pivot kit
42 20 00	Battery CR2032 Lithium 3V, pack of 2
50 00 05	Speedglas welding filter 9100V
50 00 15	Speedglas welding filter 9100X
50 00 25	Speedglas welding filter 9100XX
50 00 26	Speedglas welding filter 9100XXi
52 30 00	Visor plate, standard, pack of 5
52 30 01	Visor plate, anti fog, pack of 5
52 60 00	Outer protection plate, standard, pack of 10

Part No.	Description
52 70 01	Outer protection plate, extra scratch resistant, pack of 10
52 70 70	Outer protection plate, heat resistant, pack of 10
52 80 05	Inner cover plate for 9100V filter, pack of 5. Plate marking 117 x 50
52 80 06	Inner cover plate, +1 shade for 9100V filters, pack of 3
52 80 07	Inner cover plate, +2 shade for 9100V filters, pack of 3
52 80 15	Inner cover plate for 9100X filter, pack of 5. Plate marking 117 x 61
52 80 16	Inner cover plate, +1 shade for 9100X filter, pack of 3
52 80 17	Inner cover plate, +2 shade for 9100X filter, pack of 3
52 80 25	Inner cover plate for 9100XX/9100XXi filters, pack of 5. Plate marking 117 x 77
52 80 26	Inner cover plate, +1 shade for 9100XX/9100XXi filters, pack of 3
52 80 27	Inner cover plate, +2 shade for 9100XX/9100XXi filters, pack of 3
53 10 00	Battery holder, pack of 2
53 20 16	Side windows cover plate, 2 pairs

Part No.	Description
53 50 01	Helmet air flow deflector for 9100 MP-Lite
53 62 00	Headband ratchet
54 05 00	Front cover kit
57 04 95	Outer shield
57 08 95	Inner shield
57 28 00	Welding helmet 9100MP, without welding filter
59 28 00	Welding helmet 9100 MP-Lite, without welding filter
89 60 55	Safety helmet 9100 MP, including head suspension and sweatband
89 50 56	Safety helmet 9100 MP-Lite, including head suspension and sweatband.
79 01 01	Product storage bag
M-150	Head suspension for 9100 MP-Lite
M-350	Head suspension for 9100 MP
M-958	Chin strap
X1P3	3M™ Peltor™ Ear Muffs X1 (26 dB)
X1P3	3M™ Peltor™ Ear Muffs X2 (30 dB)
X1P3	3M™ Peltor™ Ear Muffs X3 (32 dB)
X1P3	3M™ Peltor™ Ear Muffs X4 (32 dB)
X1P3	3M™ Peltor™ Ear Muffs X5 (36 dB)





## 3M™ Speedglas™ Welding Helmets 9100 & Filters

### Helmets with Side Windows without Welding Filter

### Helmets with Side Windows – Auto-Darkening Filter



Part No.	Description
<b>50 11 00</b>	Welding helmet 9100 without side windows, with headband and silver front
<b>50 18 00</b>	Welding helmet 9100 with side windows, headband and front cover

Part No.	Description
<b>50 18 15</b>	With Speedglas welding filter 9100X (54 x 107 mm)
<b>50 18 25</b>	With Speedglas welding filter 9100XX (73 x 107 mm)
<b>50 18 26</b>	With Speedglas filter kit 9100XXi, including welding filter and front cover 9100XXi (73 x 107 mm)

## WELDING FILTERS



Part No. <b>50 00 01</b>
<b>Description</b> Passive filter kit 9100 shade 11 (90 x 110 mm)



Part No. <b>50 00 05</b>
<b>Description</b> Auto-darkening filter 9100V, variable shade 5, 8, 9-13 (45 x 93 mm)



Part No. <b>50 00 15</b>
<b>Description</b> Auto-darkening filter 9100X, variable shade 5, 8, 9-13 (54 x 107 mm)



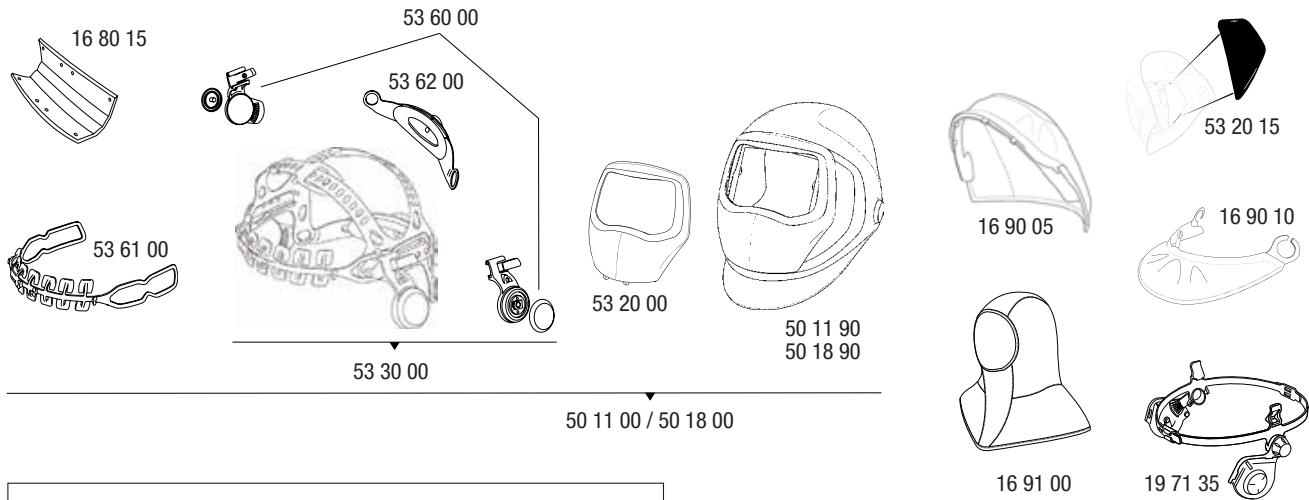
Part No. <b>50 00 25</b>
<b>Description</b> Auto-darkening filter 9100XX, variable shade 5, 8, 9-13 (73 x 107 mm)



Part No. <b>50 00 26</b>
<b>Description</b> Auto-darkening filter 9100XXi variable shade 5, 8, 9-13 (73 x 107 mm)



## 3M™ Speedglas™ Welding Helmets 9100 – Spares & Accessories



### AUTO-DARKENING FILTER

### PASSIVE FILTER

Part No.	Description
11 00 10	Passive welding filter lens shade 10
11 00 11	Passive welding filter lens shade 11
11 00 12	Passive welding filter lens shade 12
11 00 13	Passive welding filter lens shade 13
12 60 00	Inner cover plate for passive filter 9100
16 80 15	Comfort sweatband, pack of 3
16 90 05	Head protection
16 90 10	Neck protection
16 91 00	Hood
17 10 20	Magnifying lens 1.0
17 10 21	Magnifying lens 1.5
17 10 22	Magnifying lens 2.0
17 10 23	Magnifying lens 2.5
17 10 24	Magnifying lens 3.0
19 71 35	Safety helmet adaptor 9100, with assembly parts
42 20 00	Battery, pack of 2
50 00 01	Speedglas passive welding filter kit 9100 (shade 11)
50 00 05	Speedglas welding filter 9100V
50 00 15	Speedglas welding filter 9100X
50 00 25	Speedglas welding filter 9100XX

Part No.	Description
50 00 26	Speedglas welding filter 9100XXi
50 01 26	Speedglas welding filter kit 9100XXi (including front cover and filter)
50 11 00	Helmet without side windows, with headband
50 11 90	Helmet without side windows, without headband, with front cover
50 18 00	Helmet with side windows and headband, with front cover
50 18 90	Helmet with side windows, without headband, with front cover
52 60 00	Outer protection plate standard, pack of 10
52 70 00	Outer protection plate scratch resistant, pack of 10
52 70 01	Outer protection plate extra scratch resistant, pack of 10
52 70 70	Outer protection plate heat resistant, pack of 10
52 80 05	Inner cover plate for 9100V filter, pack of 5. Plate marking 117 x 50
52 80 06	Inner cover plate, +1 shade for 9100V filters, pack of 3

Part No.	Description
52 80 07	Inner cover plate, +2 shade for 9100V filters, pack of 3
52 80 15	Inner cover plate for 9100X filter, pack of 5. Plate marking 117 x 61
52 80 16	Inner cover plate, +1 shade for 9100X filter, pack of 3
52 80 17	Inner cover plate, +2 shade for 9100X filter, pack of 3
52 80 25	Inner cover plate for 9100XX filter, pack of 5. Plate marking 117 x 77
52 80 26	Inner cover plate, +1 shade for 9100XX filter, pack of 3
52 80 27	Inner cover plate, +2 shade for 9100XX filter, pack of 3
53 10 00	Battery holder, pack of 2
53 20 00	Heat-reflecting front cover 9100
53 20 15	Side windows cover plate, 2 pairs
53 21 00	Heat-reflecting front cover 9100XXi
53 30 00	Headband with assembly parts
53 60 00	Pivot mechanism, left and right
53 61 00	Headband front part
53 62 00	Headband back part



## 3M™ Speedglas™ Welding Helmets 9100 FX & Filters

Helmet with Side Windows without Welding Filter



Part No.	Description
<b>54 18 00</b>	Welding helmet 9100 FX with side windows, headband and front cover

Helmets with Side Windows – Auto-Darkening Filter



Part No.	Description
<b>50 18 15</b>	With Speedglas welding filter 9100X (54 x 107 mm)
<b>50 18 25</b>	With Speedglas welding filter 9100XX (73 x 107 mm)
<b>50 18 26</b>	With Speedglas filter kit 9100XXi, including welding filter and front cover 9100XXi (73 x 107 mm)

## WELDING FILTERS



Part No. <b>50 00 01</b>
<b>Description</b> Passive filter kit 9100 shade 11 (90 x 110 mm)



Part No. <b>50 00 05</b>
<b>Description</b> Auto-darkening filter 9100V, variable shade 5, 8, 9-13 (45 x 93 mm)



Part No. <b>50 00 15</b>
<b>Description</b> Auto-darkening filter 9100X, variable shade 5, 8, 9-13 (54 x 107 mm)



Part No. <b>50 00 25</b>
<b>Description</b> Auto-darkening filter 9100XX, variable shade 5, 8, 9-13 (73 x 107 mm)

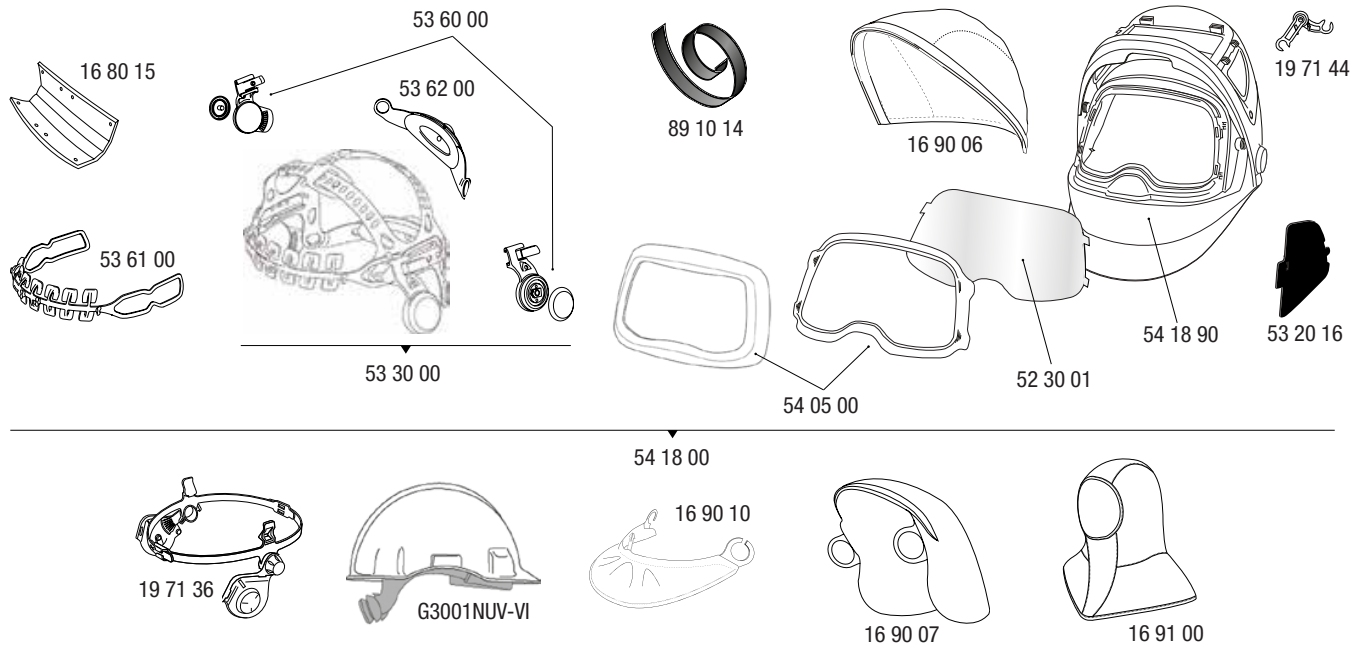


Part No. <b>50 00 26</b>
<b>Description</b> Auto-darkening filter 9100XXi variable shade 5, 8, 9-13 (73 x 107 mm)





## 3M™ Speedglas™ Welding Helmets 9100 FX – Spares & Accessories



**AUTO-DARKENING FILTER**

42 20 00					
53 10 00					
	52 60 00	50 00 05	52 80 05		
	52 70 00	50 00 15	52 80 06		
	52 70 01	50 00 25	52 80 07		
	52 70 70	50 00 26	52 80 15	17 10 20	
			52 80 16	17 10 21	
			52 80 17	17 10 22	
			52 80 25	17 10 23	
			52 80 26	17 10 24	
			52 80 27		

**PASSIVE FILTER**

	52 60 00	17 10 20	11 00 10		
	52 70 00	17 10 21	11 00 11		
	52 70 01	17 10 22	11 00 12		
	52 70 70	17 10 23	11 00 13		
		17 10 24			
					50 00 01

Part No.	Description
11 00 10	Passive welding filter lens shade 10
11 00 11	Passive welding filter lens shade 11
11 00 12	Passive welding filter lens shade 12
11 00 13	Passive welding filter lens shade 13
12 60 00	Inner cover plate for passive filter 9100
16 80 15	Comfort sweatband, pack of 3
16 90 06	Head protection (small)
16 90 07	Head protection (large)
16 90 10	Neck protection
16 91 00	Hood
17 10 20	Magnifying lens 1.0
17 10 21	Magnifying lens 1.5
17 10 22	Magnifying lens 2.0
17 10 23	Magnifying lens 2.5
17 10 24	Magnifying lens 3.0
19 71 36	Safety helmet adaptor 9100FX, with assembly parts
19 71 44	Hinge mechanism, 2 pieces
42 20 00	Battery, pack of 2
50 00 01	Speedglas passive welding filter kit 9100 (shade 11)
50 00 05	Speedglas welding filter 9100V

Part No.	Description
50 00 15	Speedglas welding filter 9100X
50 00 25	Speedglas welding filter 9100XX
50 00 26	Speedglas welding filter 9100XXi
52 30 01	Visor plate anti-fog, pack of 5
52 60 00	Outer protection plate standard, pack of 10
52 70 00	Outer protection plate scratch resistant, pack of 10
52 70 01	Outer protection plate extra scratch resistant, pack of 10
52 70 70	Outer protection plate heat resistant, pack of 10
52 80 05	Inner cover plate for 9100V filter, pack of 5. Plate marking 117 x 50
52 80 06	Inner cover plate, +1 shade for 9100V filters, pack of 3
52 80 07	Inner cover plate, +2 shade for 9100V filters, pack of 3
52 80 15	Inner cover plate for 9100X filter, pack of 5. Plate marking 117 x 61
52 80 16	Inner cover plate, +1 shade for 9100X filter, pack of 3
52 80 17	Inner cover plate, +2 shade for 9100X filter, pack of 3

Part No.	Description
52 80 25	Inner cover plate for 9100XX filter, pack of 5. Plate marking 117 x 77
52 80 26	Inner cover plate, +1 shade for 9100XX filter, pack of 3
52 80 27	Inner cover plate, +2 shade for 9100XX filter, pack of 3
53 10 00	Battery holder, pack of 2
53 20 16	Side windows cover plate, 2 pairs
53 30 00	Headband with assembly parts.
53 60 00	Pivot mechanism, left and right
53 61 00	Headband front part
53 62 00	Headband back part
54 05 00	Front cover kit
54 18 00	Welding helmet, without welding filter, with headband
54 18 90	Welding helmet, without welding filter, without headband
89 10 14	Hook and loop for headcover, pack of 2
53 62 00	Headband back part
G3001NUV-VI	3M™ Safety Helmet G3001, white (unvented)



## 3M™ Speedglas™ Welding Helmet 9002NC & Filters

Many welders consider our classic Speedglas 9000 model an excellent balance of helmet shape, size, and weight for their application. So we've brought it back. The exact same shell profile many welders prefer. But we added new, high performing optics – and a headband made for increased comfort. Introducing the 3M™ Speedglas™ Welding Helmet & Auto-Darkening Filter 9002NC.

### FEATURES

#### ■ Better control

An improved optical experience, with a view that appears lighter, brighter, and more realistic. Viewing your weld puddle with the new 3M™ Speedglas™ Natural Colour Technology can help give you better control over your welds

#### ■ Exhale

Thanks to the exhaust vents built into the helmet, the build-up of carbon dioxide is reduced compared to traditional helmet designs

#### ■ Freedom of movement

The slim helmet's design increase freedom of movement. Plus, the exhaust vents allow for a close-to-the-face fit

#### ■ Affordable price

Puts 3M™ Speedglas™ Technology and state-of-the-art auto-darkening optics within reach of every welder, from apprentices to seasoned veterans



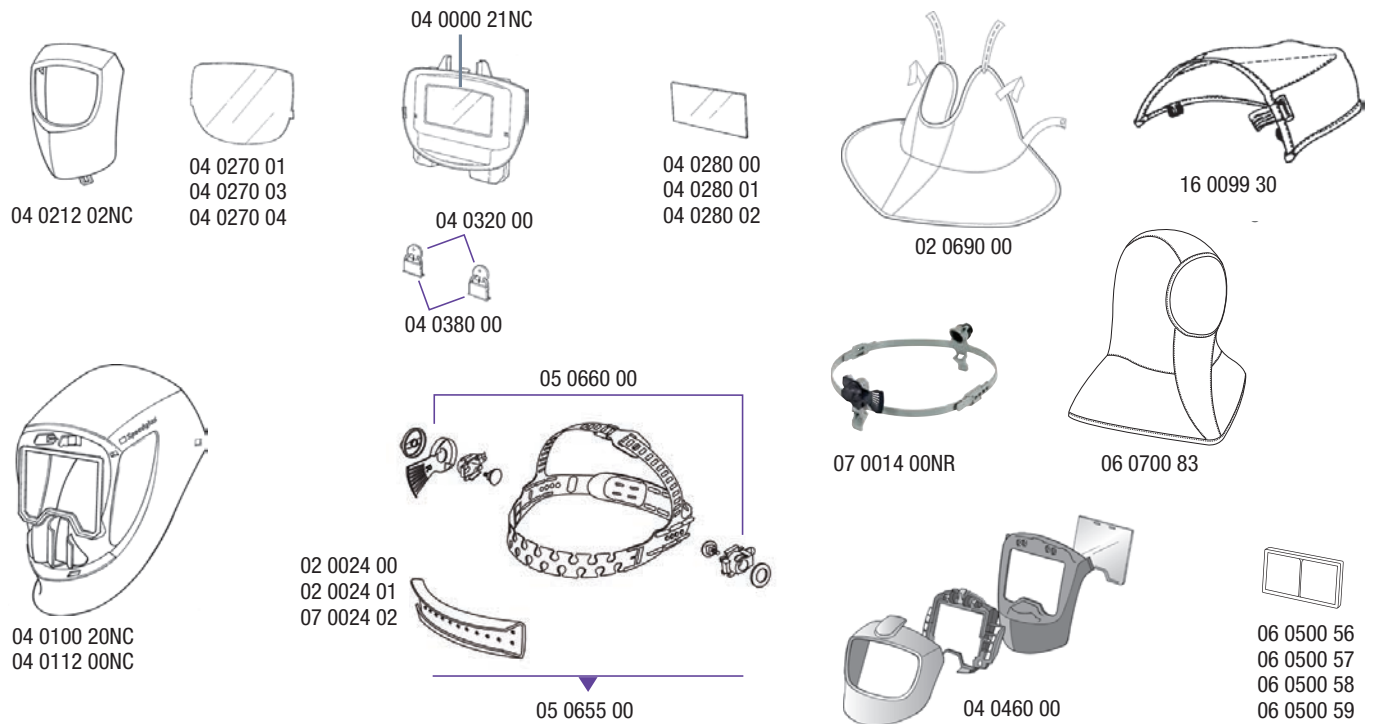
Part No.	Description
40 13 85	3M™ Speedglas™ Welding Helmet 9002NC, including welding filter and headband



Part No.	Description
40 00 85	3M™ Speedglas™ Welding Filter 9002NC



## 3M™ Speedglas™ Welding Helmet 9002NC & Filters – Spares & Accessories



Part No.	Description
02 0024 00	Sweatband, cotton fleece with padding
02 0024 01	Sweatband, leather
02 0690 00	Throat protection, black/grey
04 0000 21NC	3M™ Speedglas™ Welding Filter
04 0212 02NC	3M™ Speedglas™ Front Panel
04 0270 01	Outside protection plate, 10/case
04 0270 03	Outside protection plate, scratch resistant, 10/case
04 0270 04	Outside protection plate, high temperature, 10/case
04 0280 00	Inside protection plate, 5/case
04 0280 01	Inside protection plate, +1 shade, 5/case
04 0280 02	Inside protection plate, +2 shade, 5/case
04 0290 00	Inside protection plate for welding filters
04 0320 00	Battery, 2/case
04 0380 00	Battery holders blue, 2/case
04 0460 00	FlexView replacement welding kit 1/case
05 0650 00	Headband with assembly parts

Part No.	Description
05 0660 00	Assembly parts for headband
06 0500 51	Extended Headcover 1/case
06 0700 83	Full hood black/grey
07 0014 00NR	Hard Hat Adaptor 1/case
07 0024 02	Sweatband fleece, 2/case
18 0099 68	Throat and side protector, leather





## 3M™ Speedglas™ Welding Helmets 100 & 100QR

Welding Helmet **100** (black)



Part No.	Description
<b>75 11 01</b>	With passive welding filter, shade 11
<b>75 11 20</b>	With Speedglas welding filter 100V, variable shade 8-12 (44 x 93 mm)
<b>75 11 90</b>	Without welding filter, without headband

Welding Helmet **100-QR**



Part No.	Description
<b>78 25 20</b>	Welding helmet 100-QR without welding filter, without safety helmet, with QR rail
<b>78 35 20</b>	Welding helmet 100-QR with 3M safety helmet H-701R QR rail and welding filter 100-V (44x93 mm).



**Part No. 75 16 20**  
**Description**  
TROJAN WARRIOR Helmet



**Part No. 75 12 20**  
**Description**  
BLAZE Helmet



**Part No. 75 17 20**  
**Description**  
ACES HIGH Helmet

### ALTERNATIVE SPEEDGLAS™ WELDING FILTERS



**Part No. 75 00 11**  
**Description**  
Auto-darkening filter 100S-11, single shade 11 (44 x 93 mm)

**Part No. 75 00 20**  
**Description**  
Auto-darkening filter 100-V, variable shade 8-12 (44 x 93 mm)



**Part No. 75 25 20**  
**Description**  
ICE HOT Helmet



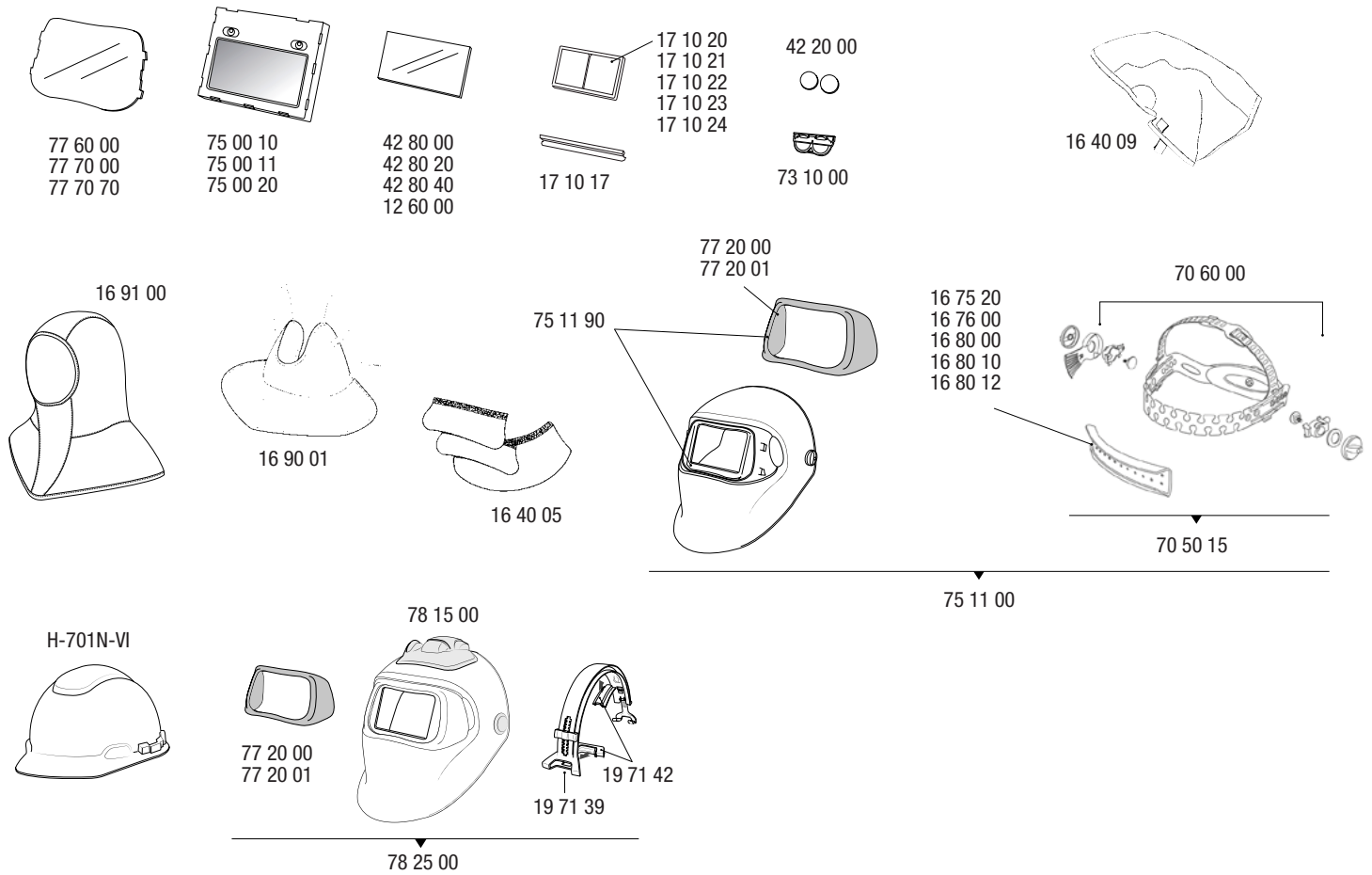
**Part No. 75 22 20**  
**Description**  
XTERMINATOR Helmet



**Part No. 75 24 20**  
**Description**  
RAZOR DRAGON Helmet



## 3M™ Speedglas™ Welding Helmets 100 & 100QR – Spares & Accessories



Part No.	Description
12 60 00	Inner cover plate for 100 passive filter
60 40 05	Ear and neck protection in leather
16 40 09	Head protection
16 75 20	Sweatband, towelling purple, pack of 2
16 76 00	Sweatband, towelling purple, pack of 20
16 80 00	Sweatband, leather
16 80 10	Sweatband, fleecy cotton, pack of 2
16 80 12	Sweatband, fleecy cotton (short), pack of 2
16 90 01	Neck protection
16 91 00	Hood
17 10 17	Holder for magnifier (older models of welding filters)
17 10 20	Magnifying lens 1.0
17 10 21	Magnifying lens 1.5
17 10 22	Magnifying lens 2.0
17 10 23	Magnifying lens 2.5
17 10 24	Magnifying lens 3.0
19 71 37	Safety helmet adaptor (loop), with assembly parts, not shown
19 71 39	Quick release rail for safety helmet

Part No.	Description
19 71 42	Rubber friction pads for quick release rail
19 71 43	Pivot cover plate kit for quick release welding helmets (QR), pack of 2
42 20 00	Battery CR2032 Lithium 3V, pack of 2
42 80 00	Inner cover plate, pack of 5. Plate marking 42 02 00.
42 80 20	Inner cover plate, +1 shade, pack of 5
42 80 40	Inner cover plate, +2 shade, pack of 5
70 50 15	Headband with assembly parts
70 60 00	Assembly parts for headband
73 10 00	Battery cover
75 00 10	Speedglas welding filter 100S-10, single shade 10
75 00 11	Speedglas welding filter 100S-11, single shade 11.
75 00 20	Speedglas welding filter 100V, variable shade 8-12.
75 05 11	Speedglas 100 passive kit: 110 x 90 mm passive welding filter shade 11, inner cover plate, outer protection plate and filter frame (not shown)
75 11 00	100 welding helmet black, without filter, with headband

Part No.	Description
75 11 90	100 welding helmet black, without filter, without headband
77 20 00	Front frame, silver
77 20 01	Front frame, black
77 60 00	Outer protection plate, standard, pack of 10
77 70 00	Outer protection plate, scratch resistant, pack of 10
77 70 70	Outer protection plate, heat resistant, pack of 10
78 15 00	Welding helmet 100-QR without rail, without filter, without safety helmet
78 25 00	Welding helmet 100-QR with rail, without welding filter, without safety helmet
78 35 20	Welding helmet 100-QR with rail and 3M™ Safety Helmet H-701R with filter 100-V
H-701N-VI	White 3M™ Safety Helmet H-701R (unvented), with ratchet suspension



## 3M™ Speedglas™ Filter Range

Welding filters for:

- 9100
- 9100 FX
- 9100 MP
- 9100 MP LITE



Part No.	Description
<b>50 00 01</b>	Passive filter kit 9100 shade 11 (90 x 110 mm)



Part No.	Description
<b>50 00 05</b>	Auto-darkening filter 9100V, variable shade 5, 8, 9-13 (45 x 93 mm)



Part No.	Description
<b>50 00 15</b>	Auto-darkening filter 9100X, variable shade 5, 8, 9-13 (54 x 107 mm)



Part No.	Description
<b>50 00 25</b>	Auto-darkening filter 9100XX, variable shade 5, 8, 9-13 (73 x 107 mm)



Part No.	Description
<b>50 00 26</b>	Auto-darkening filter 9100XXi, variable shade 5, 8, 9-13 (73 x 107 mm)



## 3M™ Adflo™ Powered Air Respirator

The Adflo powered air respirator is specifically designed to meet your welding needs. Its continuous airflow provides filtered air that takes much of the heat and sweat out of welding. By using the Adflo respirator, you get both increased protection and comfort all day long.



### FEATURES

- Slim profile and ergonomic design make it easier to go into tight welding spaces and offers the quality and functions you should expect from a robust and easy-to-use respiratory system
- With the right type of filter, the Adflo respirator effectively protects against both particles and gases – all in one system
- Selectively replace either the particle or the gas filter as needed: you don't need to change both filters at the same time
- The new Li-ion batteries makes the turbo more lightweight and balanced for even greater comfort during the full shift
- The airflow is always a constant nominal rate of 170 litres per minute, regardless of the battery's charge or the particle loading of the filter
- For hot, humid jobs, you can increase the airflow to 200 litres per minute by simply pushing the ON button a second time

## 3M™ Adflo™ Powered Air Respirator

### Respirator without Headtop – Standard Battery



Part No.	Description
<b>83 77 30</b>	Adflo respirator with self adjusting breathing tube QRS, breathing tube adaptor, airflow indicator, prefilter, spark arrestor, particle filter, battery, belt and charger

For gas filter configuration we recommend using the Adflo respirator with heavy-duty battery

### Respirator without Headtop – Heavy Duty Battery



Part No.	Description
<b>83 77 31</b>	Adflo respirator with self adjusting breathing tube QRS, breathing tube adaptor, airflow indicator, prefilter, spark arrestor, particle filter, heavyduty battery, belt and charger

For gas filter configuration please add these items to above order:  
83 72 42 for gas filter A1B1E1, or 83 75 42 for gas filter A2

### Standard Battery



Part No.	Description
<b>83 76 30</b>	Standard battery. Run time: 7-9 hours. Charging time: 4 hours. Compact and lightweight

### Heavy Duty Battery



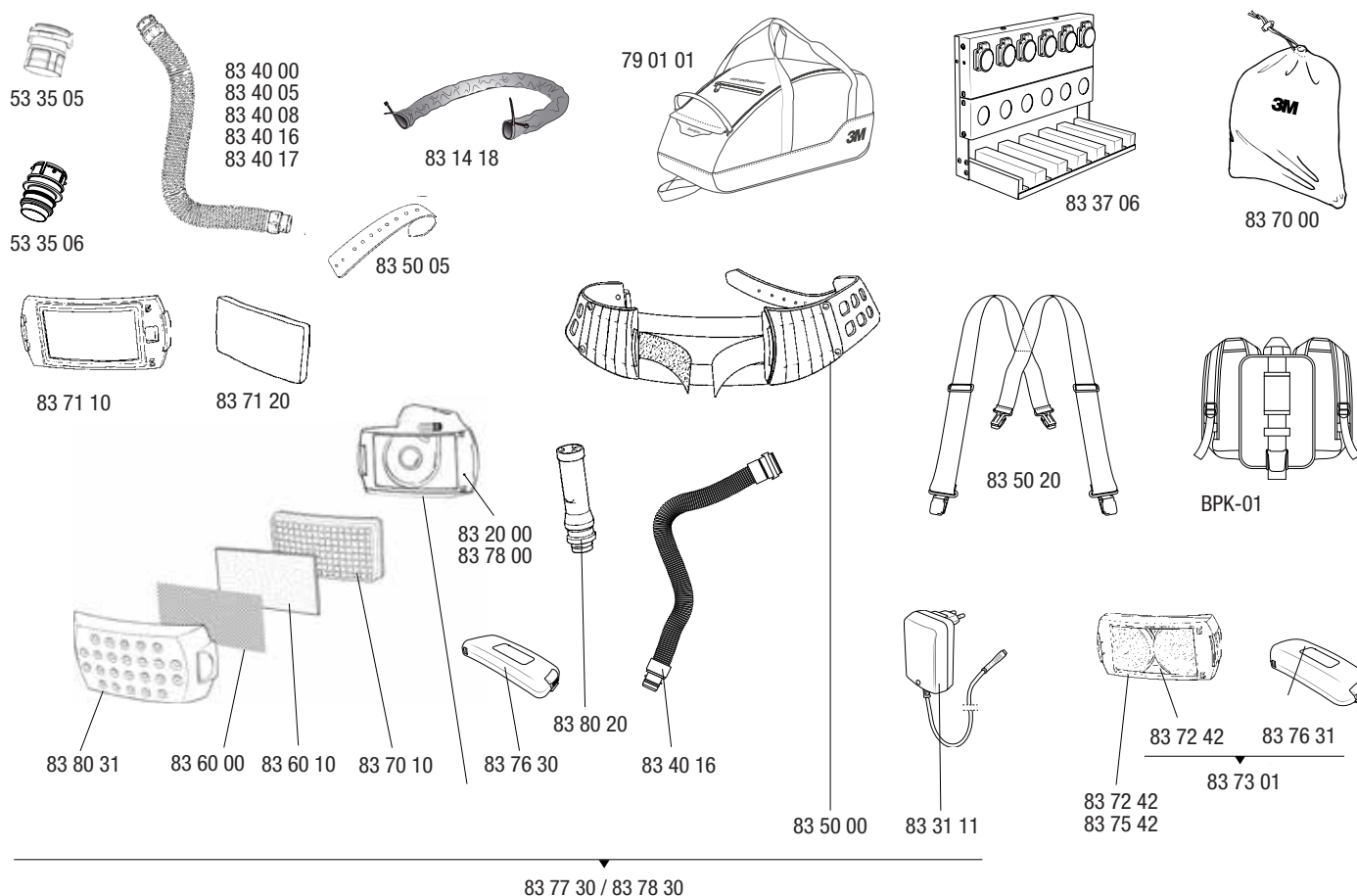
Part No.	Description
<b>83 76 31</b>	Heavy Duty battery. Run time: 10-13 hours. Charging time: 5.5 hours. Compact and lightweight

### Adflo™ Battery Charger Organising Stand



Part No.	Description
<b>83 37 08 for UK sockets</b>	The 6-position battery charger organising stand for Adflo battery chargers provides the ability to charge six batteries at the same time, saving both time and hassle. Compatible with legacy NiMH batteries and Li-ion batteries. Flexible installation: either mount on wall or stand-alone
<b>83 37 06 for EU sockets</b>	

## 3M™ Adflo™ Powered Air Respirator – Spares & Accessories



Part No.	Description
53 35 05	Adaptor for non-QRS breathing tubes when using Speedglas welding helmet series 9100
53 35 06	Adaptor for QRS breathing tubes when using Speedglas welding helmet series 9000
79 01 01	Product carry bag
80 60 20	Back pack
83 20 00	Turbo assembly, without filter, without filter cover
83 31 11	Battery charger for Li-ion batteries
83 37 06	Battery charger organising stand 6-position
83 40 00	Breathing tube, lightweight, non-QRS
83 40 05	Breathing tube, heavy-duty rubber, non-QRS.
83 40 08	Breathing tube with silencer, non-QRS
83 40 16	Breathing tube, self-adjusting (52,5 to 85 cm), with QRS connection
83 40 17	Breathing tube, heavy-duty rubber (80 cm), with QRS connection
83 40 18	Flame resistant breathing tube cover
83 50 00	Belt

Part No.	Description
83 50 05	Front part, belt
83 50 10	Quick connection for belt (not shown)
83 50 20	Braces
83 60 00	Spark arrestor
83 60 10	Prefilter, pack of 5
83 60 80	Prefilter, pack of 80
83 70 00	Storage bag
83 70 10	Particle filter P SL
83 70 12	Particle filter P SL, pack of 2
83 70 20	Particle filter P SL, pack of 20
83 70 80	Particle filter P SL, pack of 80
83 71 10	Odour filter
83 71 20	Odour filter pad
83 74 42	Gas filter A1B1E1
83 73 01	Gas filter kit: A1B1E1 filter and Li-ion heavy-duty battery
83 75 42	Gas filter A2
83 76 30	Li-ion Battery (standard)
83 76 31	Li-ion Battery heavy-duty.
83 78 00	Turbo assembly High Altitude, without filter, without filter cover
83 80 20	Airflow indicator

Part No.	Description
83 80 31	Filter cover black
BPK-01	Back pack





## 3M™ Versaflor™ Headtops

The Versaflor™ M-Series modern, compact and well-balanced Headtops are highly versatile offering integrated protection from a range of respiratory, head, eye, face and hearing hazards. The coated Polycarbonate visor design features a Deflector allowing users to direct the airflow inside the headtop for

increased control and comfort. These Headtops combine excellent peripheral and downward vision with good optical clarity and with fully-adjustable suspension that includes textile straps for optimal fit and weight distribution. Easy To Maintain – Spare parts and accessories are quick, easy and intuitive to replace.



Part No.	Description
<b>M207</b>	<b>FLAME-RESISTANT FACESHIELD</b> 3M™ Versaflor™ M-207 Faceshield offers respiratory, bumpcap, eye and face EN166 Medium Impact protection. The helmet features a flame resistant polyester faceseal for applications with sparks and hot particles. M-207 helmet meets the performance requirements (TH3) for this type of product when used with specific 3M™ Versaflor™ Air Delivery Units. Bumpcap protection (EN812)

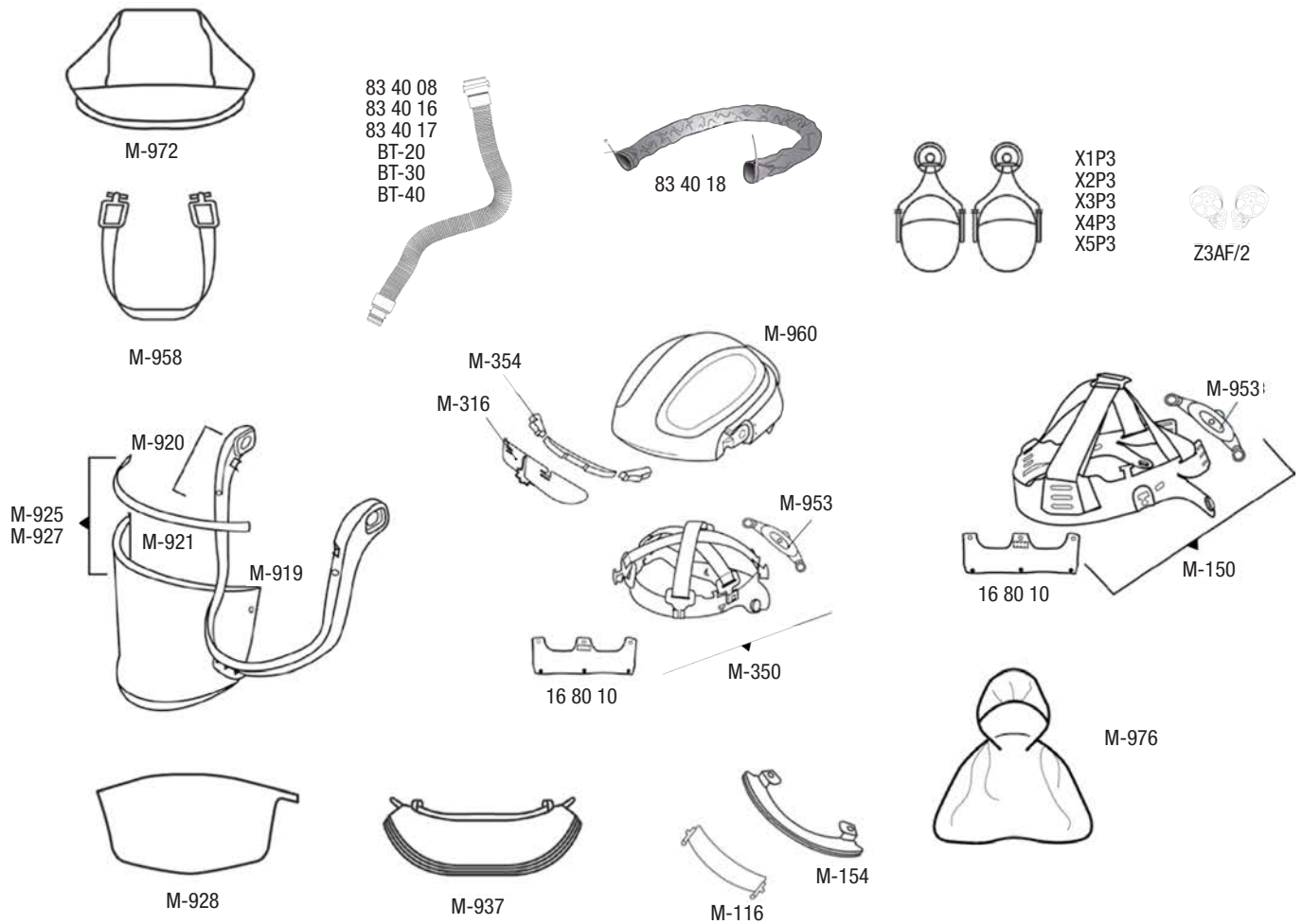


Part No.	Description
<b>M307</b>	<b>HELMET</b> The 3M™ Versaflor™ M-307 Helmet offers respiratory, eye EN166 Medium Impact and face protection as well as head protection EN397, essential for areas where hard hats are mandatory. M-307 features a flame resistant faceseal for applications with hot particles

Part No.	Description
<b>M407</b>	<b>HELMET WITH SHROUD</b> Features a flame-retardant shroud for protection against hot particles. Fabric material: Polyaramid. Head protection approved according to EN 397 It meets the highest respiratory performance requirements (TH3) for this type of product when used with specific 3M™ Air Delivery Units, and it's easy to maintain with spare parts and accessories that are quick, easy and intuitive to replace



## 3M™ Versaflo™ Headtops – Spares & Accessories



Part No.	Description
16 80 10	Sweatband, fleecy cotton, pack of 2
83 40 08	Breathing tube with silencer, non-QRS
83 40 16	Breathing tube, self-adjusting (52,5 to 85 cm), with QRS connection
83 40 17	Breathing tube, heavy-duty rubber, with QRS connection
83 40 18	Flame resistant breathing tube cover
84 77 20	Versaflo faceshield M-107 with Adflo powered air respirator
85 77 20	Versaflo faceshield M-307 with Adflo powered air respirator
BT-20 S&L	Breathing tube, polyurethane (in two lengths), with QRS connection
BT-30	Breathing tube, self-adjusting (52,5 to 85 cm), with QRS connection
BT-40	Breathing tube, heavy-duty rubber, with QRS connection

Part No.	Description
M-116	Airflow deflector (M-107)
M-150	Head suspension (M-107)
M-154	Forehead seal (M-107)
M-316	Airflow deflector (M-307)
M-350	Head suspension (M-307)
M-354	Forehead seal (M-307)
M-920	Visor frame
M-921	Visor gasket
M-925	Visor standard (uncoated), molten metal splash protection to EN166
M-927	Visor coated
M-928	Peel-off visor cover
M-937	Flame resistant faceseal
M-953	Ratchet
M-956	Ratchet comfort pad
M-958	Chin strap

Part No.	Description
M-972	Flame resistant headtop cover
M-976	Head, neck and shoulder cover
X1P3	3M™ Peltor™ Ear Muffs X1 (26 dB)
X2P3	3M™ Peltor™ Ear Muffs X2 (30 dB)
X3P3	3M™ Peltor™ Ear Muffs X3 (32 dB)
X4P3	3M™ Peltor™ Ear Muffs X4 (32 dB)
X5P3	3M™ Peltor™ Ear Muffs X5 (36 dB)
Z3AF/2	Helmet assembly parts for Peltor X-series ear muffs, left and right

For powered air respirator options, please see page 000. For supplied air regulator options, see page 000.



## 3M™ Versaflo™ TR-300E+ HIK Ready to Use Starter Kit & 3M™ Versaflo™ TR-315+ Powered Air Starter Kit

The TR-300E+ HIK (Heavy Industry Kit) is a complete Powered Air Respirator System featuring a powered air turbo and filter designed for particulate respiratory protection and including everything required to get started. This ready-to-use kit provides a simple way to purchase a complete powered air respirator system for use in rugged industrial environments.



### TR-300+ HIK INCLUDES

- M-307 Helmet with Premium Visor and Faceséal
- TR-302E+ Powered Air Turbo
- TR-326 High Durability Belt
- TR-341E Battery Charger and UK Plug
- TR-3712E Filter
- TR-362 Spark Arrestor
- TR-3600 Pre-Filter
- TR-332 High Capacity Battery
- BT-40 Heavy Duty Breathing Tube
- BT-926 High Temperature Breathing Tube Cover
- TR-971 Airflow Indicator

Part No.	Description
<b>TR-300E+HIK</b>	Ready to Use Starter Heavy Industry Kit

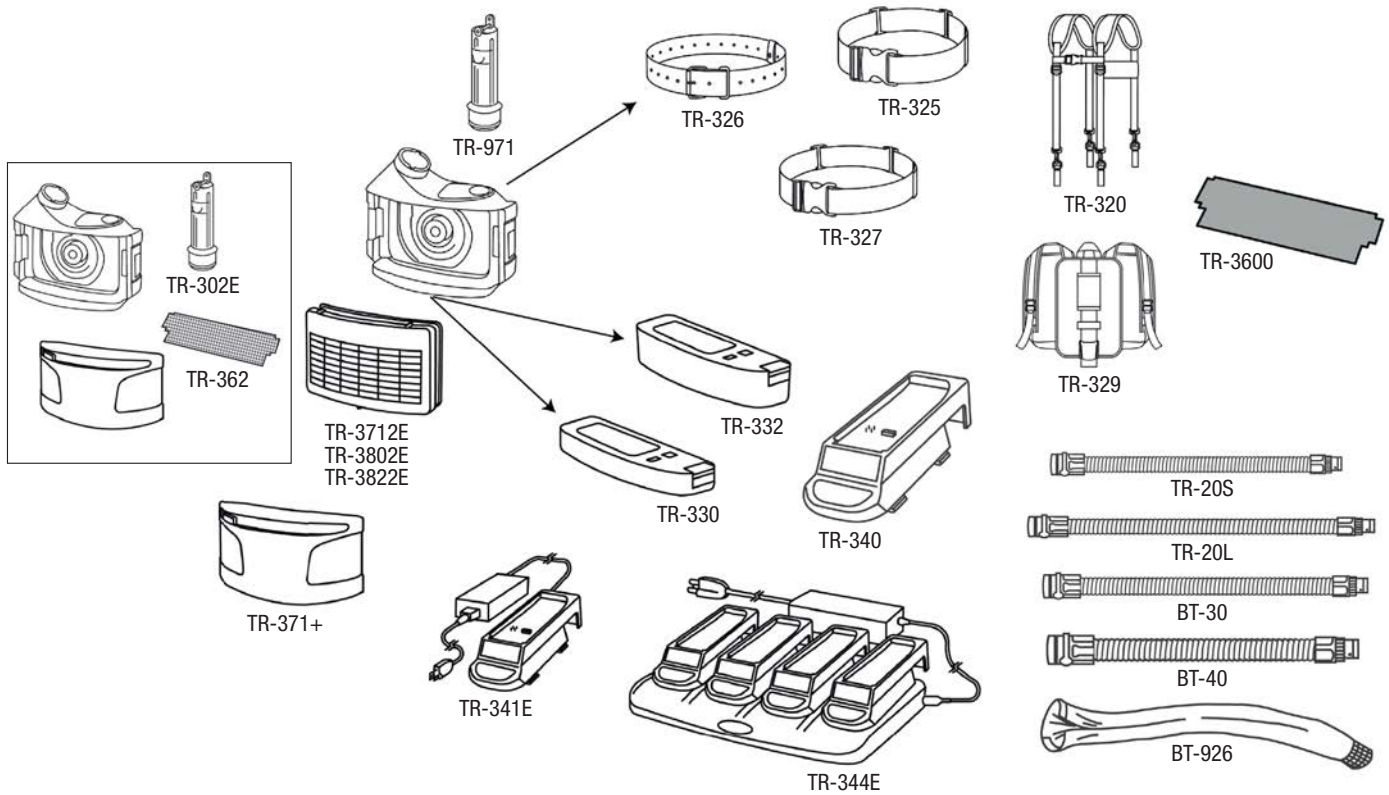


This Versaflo™ Starter Kit includes the TR-302E+ turbo, particulate filter, pre-filter, spark arrestors (x2), standard belt, high capacity battery pack, battery charger kit, self-adjusting breathing tube and airflow indicator

Part No.	Description
<b>TR-315+</b>	Powered Air Starter Kit



## 3M™ Versaflo™ TR-300E+ HIK & TR-315+ – Spares & Accessories



Part No.	Description
TR-302E	Versaflo™ Powered Air Turbo Unit (complete with Filter Cover, Spark Arrestors (x2) and Air Flow Indicator)
TR-325	Standard belt
TR-326	Leather belt
TR-327	Easy-clean belt
TR-330	Standard battery pack
TR-332	High capacity battery pack
TR-340	Battery charging cradle
TR-341E	Single station charger kit
TR-344E	4 station battery charging kit
TR-362	Spark arrestor
TR-371+	Replacement filter cover
TR-3600	Pre-filter
TR-3712E	Particulate filter
TR-3802E	P/nuisance level organic vapour filter
TR-3822E	P/HF nuisance level acid gas filter
BT-30	Length adjusting breathing tube
BT-40	Heavy duty rubber breathing tube
BT-926	Breathing tube cover – flame and heat resistant, high durability
BT-20S	Short lightweight breathing tube

Part No.	Description
BT-20L	Long lightweight breathing tube
TR-971	Airflow indicator
TR-329	Braces
BPK-01	Backpack
TR-380	Filter surround gasket



## 3M™ Versaflo™ TR-600E HIK Ready to Use Starter Kit & 3M™ Versaflo™ TR-619UK Powered Air Starter Kit

The TR-600E-HIK (Heavy Industry Kit) is a complete Powered Air Respirator System featuring a powered air turbo designed to be used with particulate or gas and vapour filters for respiratory protection and including everything required to get started. This ready-to-use kit provides a simple way to purchase a complete powered air respirator system for use in rugged industrial environments.



### TR-600E HIK INCLUDES

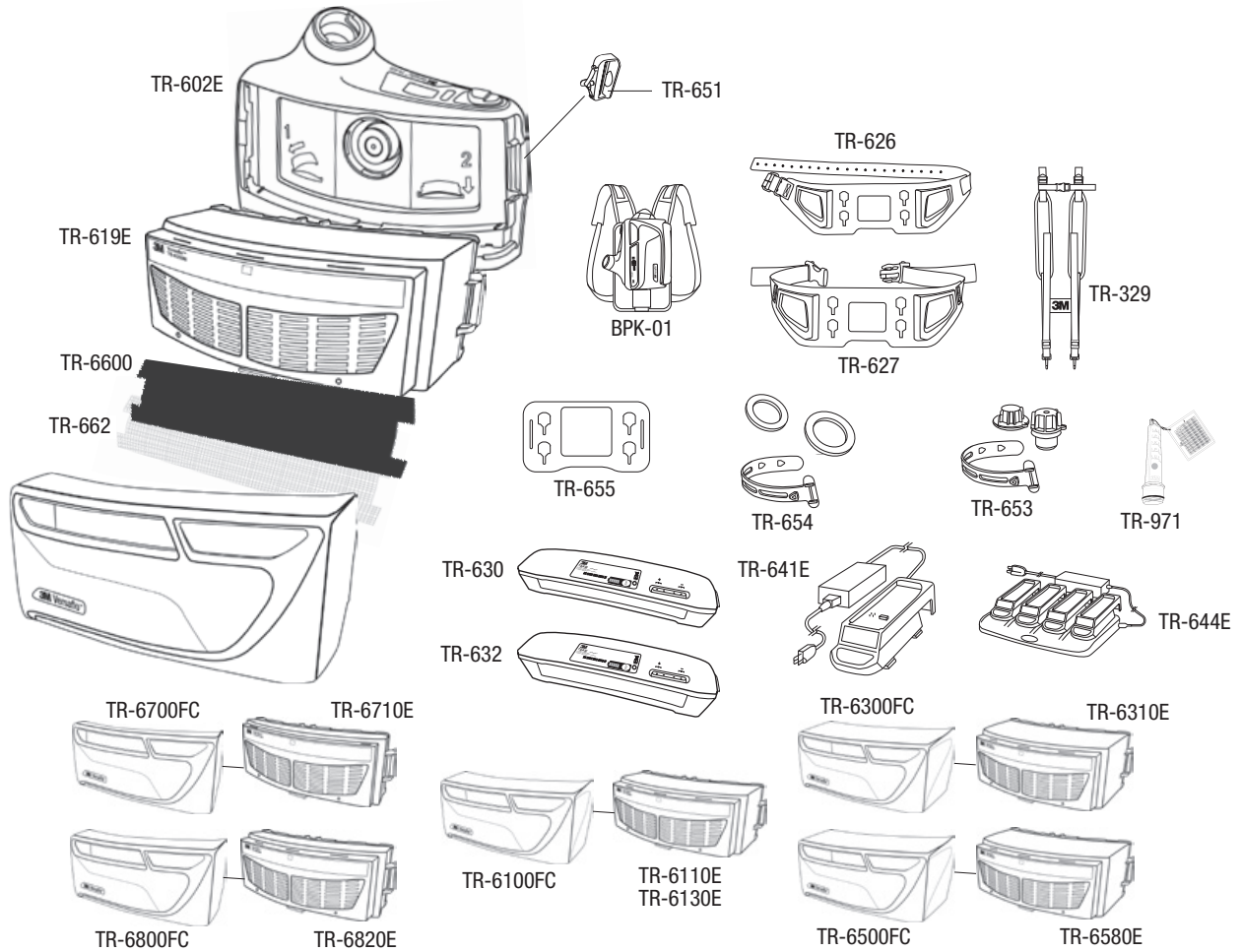
- M-307 Helmet with Premium Visor and Faceseal
- TR-602E Powered Air Turbo
- TR-632 High Capacity Battery
- BT-30 Length Adjusting Breathing Tube
- TR-626 High Durability Belt
- TR-6310E (A2P) Filter
- TR-6300FC Filter Cover
- TR-641E Single Station Battery Charger Kit and UK Plug
- TR-971 Airflow Indicator
- BT-926 High Temperature Breathing Tube Cover,
- TR-6600 Prefilter (x2)
- TR-662 Spark Arrestor (x2)

Part No.	Description
<b>TR-619HIK</b>	Ready to Use Starter Heavy Industry Kit



Part No.	Description
<b>TR-619UK</b>	Powered Air Starter Kit

## 3M™ Versaflo™ TR-600E HIK & TR-619UK – Spares & Accessories



Part No.	Description
TR-602E	Powered Air Turbo Unit
TR-619E	Starter Kit includes the TR-602E Turbo, P filter, filter cover, prefilters (x10), spark arrestors (x2), easy clean belt, high capacity battery, single station battery charger kit, BT-30 length adjusting breathing tube and airflow indicator
TR-6700FC	Filter cover
TR-6710E	Particulate filter
TR-6820E	Particulate/Nuisance odour filter
TR-6800FC	Filter cover
TR-6110E	A1P filter
TR-6100FC	Filter cover
TR-6130E	ABE1P filter
TR-6310E	A2P filter
TR-6300FC	Filter cover
TR-6580E	ABE2k1HgP filter
TR-6500FC	Filter cover
TR-630	Standard battery
TR-632	High capacity Battery
TR-640	Battery charger cradle
TR-641E	Single station battery charger kit

Part No.	Description
TR-644E	4-station battery charger kit
TR-626	High durability belt
TR-627	Easy clean belt
TR-6600	Pre-filter
TR-622	Spark Arrestor
TR-651	Filter latch assembly
TR-653	Cleaning and storage kit
TR-654	Cleaning and storage replacement seals
BPK-01	Backpack
TR-655	Backpack adaptor
TR-329	Braces
TR-971	Airflow indicator





## 3M™ Versaflo™ **TR-800E HIK** Ready to Use Starter Kit & 3M™ Versaflo™ **TR-819UK** Powered Air Starter Kit

The TR-800E-HIK (Heavy Industry Kit) is a complete Powered Air Respirator System featuring an Intrinsically Safe powered air turbo and including everything required to get started for use in Paint Spray operations. The TR-800 is an ATEX Certified powered air turbo unit that can be used in certain potentially explosive environments.



### TR-800E HIK INCLUDES

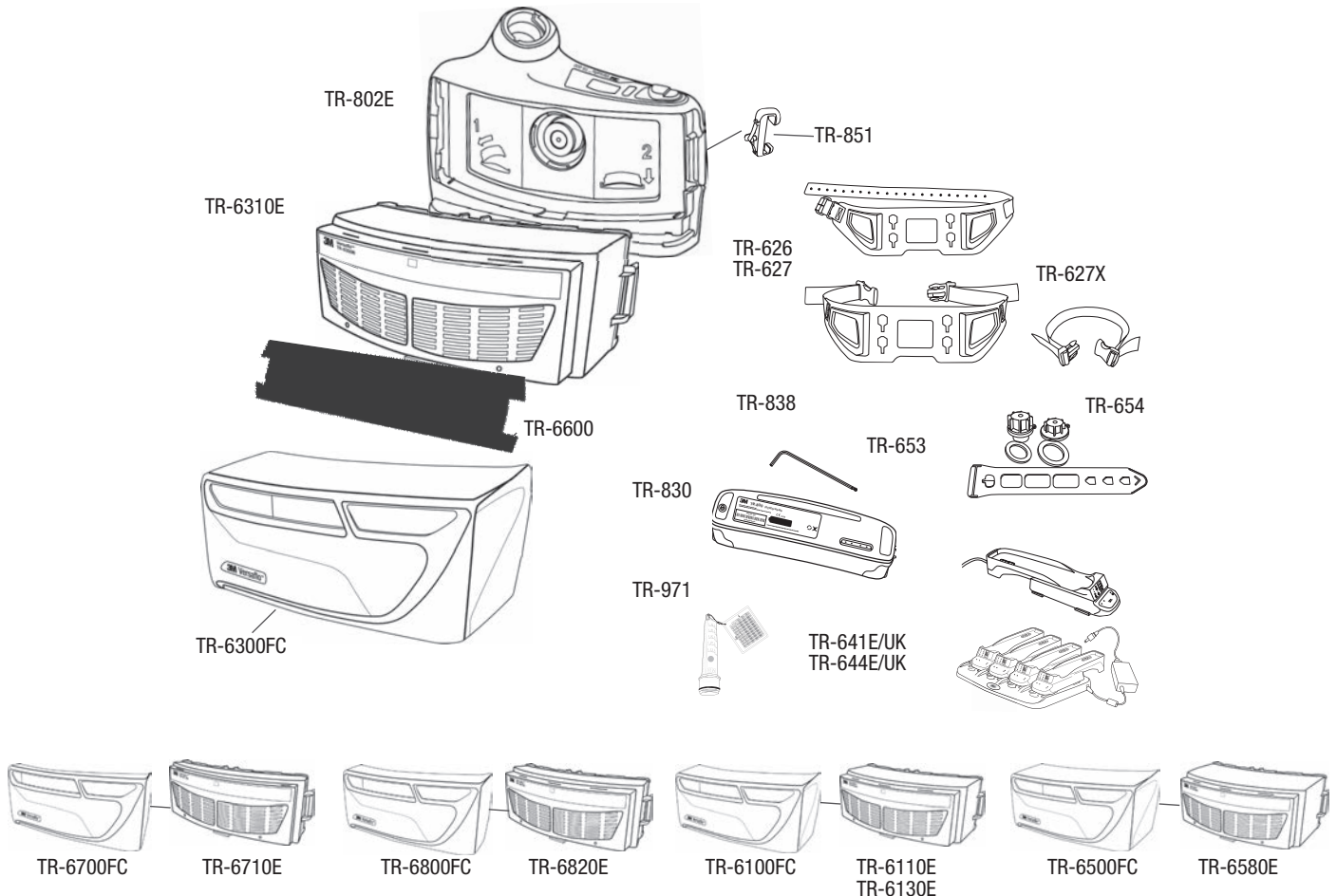
- M-307 Helmet with Premium Visor and Faceseal
- Intrinsically Safe TR-802E Powered Air Turbo
- TR-830 Intrinsically Safe Battery
- TR-838 Battery Attachment Tool
- BT-30 Length Adjusting Breathing Tube
- TR-626 High Durability Belt
- TR-6310E (A2P) Filter
- TR-6300FC Filter Cover
- TR-641E Single Station Battery Charger Kit and UK Plug
- TR-971 Airflow Indicator
- BT-926 High Temperature Breathing Tube Cover
- TR-6600 Prefilter (x2)
- TR-662 Spark Arrestor (x2)
- TR-653 Storage and Cleaning Kit

Part No.	Description
<b>TR-819HIK</b>	Ready to Use Starter Kit



Part No.	Description
<b>TR-819UK</b>	Powered Air Starter Kit

## 3M™ Versaflow™ TR-800E HIK & TR-819UK – Spares & Accessories



Part No.	Description
TR-6710	Particulate filter
TR-6820E	Particulate filter plus nuisance level organic gases and vapours below WEL (Workplace Exposure Limit), nuisance level acid gases below WEL and hydrogen fluoride gas up to 10 x WEL
TR-6110E	A1P – Organic gases and vapours (bp > 65°C) and particulates
TR-6130E	A1B1E1P – Organic gases and vapours (bp > 65°C), inorganic, acid gases and particulates
TR-6310E	A2P – Organic gases and vapours (bp > 65°C) and particulates
TR-6580E	A2B2E2K1HgP – Organic gases and vapours (bp > 65°C), inorganic, acid gases, ammonia, mercury vapour and particulates
TR-6100FC	Filter cover for TR-6100 series filters
TR-6300FC	Filter cover for TR-6300 series filters
TR-6500FC	Filter cover for TR-6500 series filters
TR-6700FC	Filter cover for TR-6700 series filters
TR-6800FC	Filter cover for TR-6800 series filters
TR-6600	Pre-filter
TR-662	Spark arrestor

Part No.	Description
TR-830	Intrinsically safe battery (includes TR-838 battery attachment tool)
TR-838	Battery attachment tool
TR-641UK	Single station battery charger kit
TR-644UK	4-station battery charger kit
TR-640	Battery charger cradle
TR-626	High durability belt
TR-627	Easy clean belt
TR-627X	Easy clean belt extender
BPK-01	Backpack
TR-655	Backpack adaptor
TR-329	Braces
TR-971	Airflow indicator (for checking TR-600/ TR-800 Powered Air Turbo when used with headtops)
TR-973	Airflow indicator (for checking TR-600/ TR-800 when used with facepieces)
TR-851	Filter latch assembly
TR-653	Cleaning and storage kit (for TR-600 and TR-800 Powered Air Turbo)
TR-654	Replacement seals (for TR-653 Cleaning and Storage Kit)

Part No.	Description
BT-20 S/L	Lightweight Breathing Tube Small/ Medium or Medium/Long
BT-30	Self-adjusting Breathing Tube
BT-40	Heavy duty Breathing Tube
BT-63	Length-adjusting tight fitting breathing tube
BT-64	Heavy Duty tight fitting breathing tube
BT-54	Heavy Duty tight fitting breathing tube
BT-922	Disposable breathing tube cover (for BT-20S/L, BT-30, BT-40 and BT-54)
BT-926	High durability, flames resistant breathing tube cover (for BT-20S/L, BT-30, BT-40 and BT-54)
BT-953	Cleaning and storage kit (for BT-63 and BT-64)
BT-957	Storage plugs (for all BT-Series breathing tubes)



## 3M™ Versaflo™ Supplied Air Regulators

V-500



Part No.	Description
<b>V-500E</b>	Flow controlled supplied air regulator, including belt

V-100



Part No.	Description
<b>V-100E</b>	Air cooling supplied air regulator, including belt

V-200

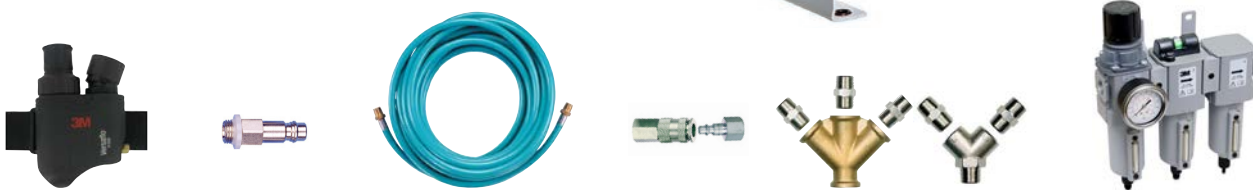
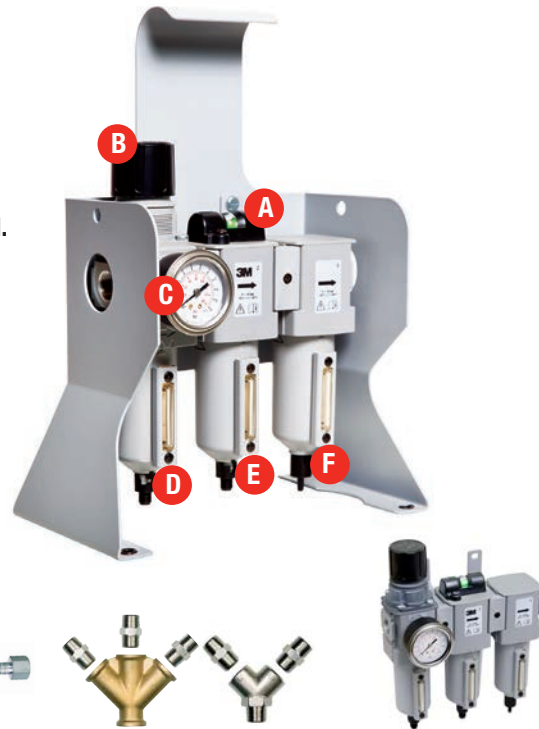


Part No.	Description
<b>V-200E</b>	Air heating supplied air regulator, including belt

## Aircare™ Filtration Systems

To make the quality of the air supply breathable, oil aerosols, water vapour, particulates, and non-toxic, unpleasant odours must be removed to EN 12021 requirements. The 3M™ Aircare™ Filtration Systems ACU-3 (wall mount) and ACU-4 (floor mount) provide three-stage filtration for up to three users or two users plus an air tool.

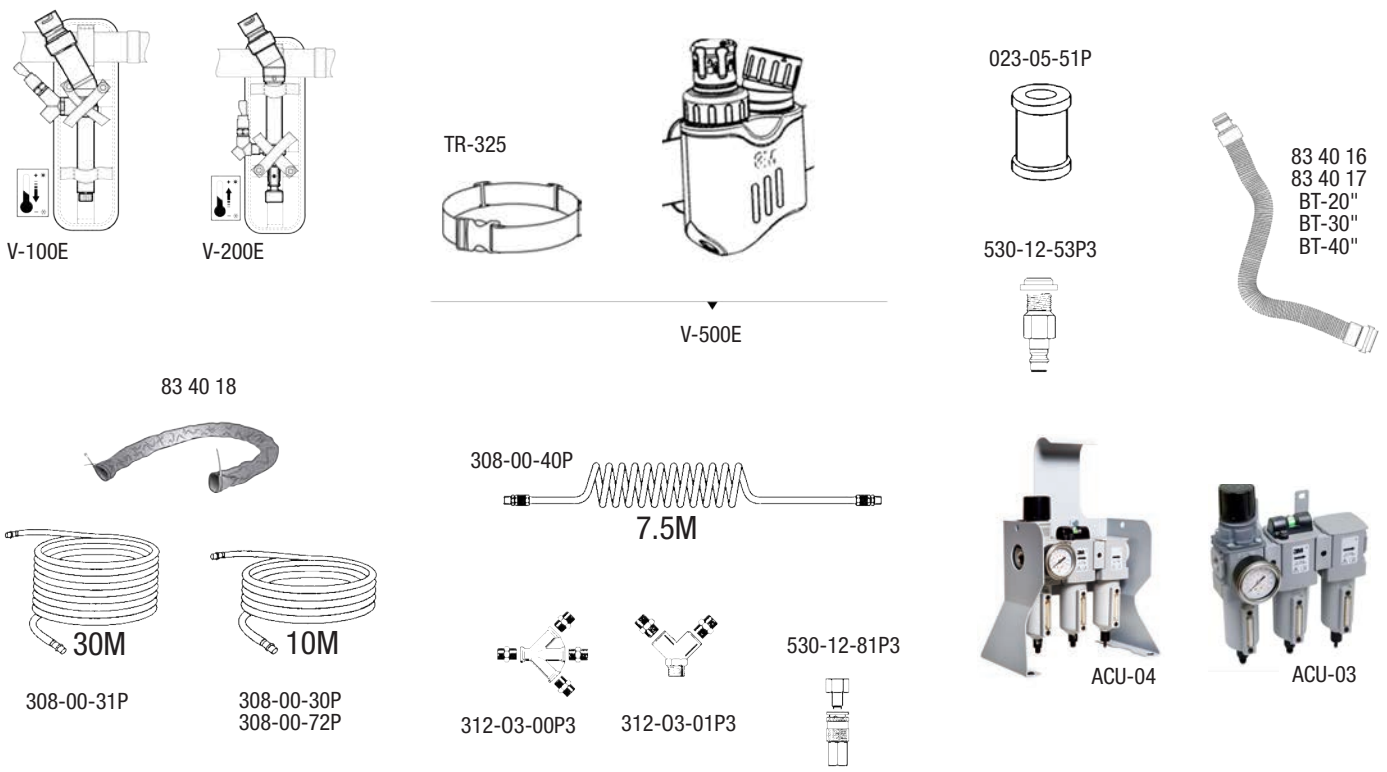
- A** Differential pressure indicator
- B** Pressure regulator (lockable)
- C** Pressure gauge
- D** Pre-filter – Semi Auto Drains (stage 1, 2) and Manual Drain (stage 3)
- E** Coalescing filter
- F** Absorber filter with activated charcoal



Select type of regulator	Select Belt Unit Coupling Plug (1/4" BSP)	Select type of Air Supply Tube (Output 3/8" BSP – both ends)	Select Coupling Set for Air Supply Tube (3/8" BSP)	Select type of Branch Set (inc. 3/8" BSP adaptors)	Select Air Filtration Unit Input: 1/2" or 3/8" female thread BSP. (2 adaptors included – 3/8" BSP to 3/8" male pipe thread BSP. Output: 3/8" BSP.
<b>V-100E</b> Air cooling regulator V-100	<b>530-12-52P3</b> Coupling plug Rectus 25	<b>308-00-30P</b> 10 m standard duty hose	<b>530-12-81P3</b> Coupling set CEJN 342	<b>31-03-00P3</b> 3-way branch set	<b>ACU-03</b> Aircare™ Filtration system (wall mounted)
<b>V-200</b> Air heating regulator V-200	<b>530-12-53P3</b> Coupling plug CEJN 342	<b>308-00-31P</b> 30 m standard duty hose	<b>530-12-82P3</b> Coupling set Rectus 25	<b>530-12-82P3</b> Coupling set Rectus 25	<b>ACU-04</b> Aircare™ Filtration system (standalone)
<b>V-500E</b> Flow controlled regulator V-500		<b>308-00-40P</b> 7.5 m coiled hose			
		<b>308-00-72P</b> 10 m standard duty, anti-static, high temperature hose			



## 3M™ Versaflo™ Supplied Air Regulators – Spares & Accessories



Part No.	Description
83 40 16	Breathing tube, self-adjusting (52.5 to 85 cm), with QRS connection for Speedglas welding helmets
83 40 17	Breathing tube, heavy-duty rubber (80 cm), with QRS connection for Speedglas welding helmets
83 40 18	Flame resistant breathing tube cover
023-05-51P	Carbon filter
308-00-30P	Standard duty air supply tube, 10 m
308-00-31P	Standard duty air supply tube, 30 m
308-00-40P	Coiled air supply tube, 7.5 m
308-00-72P	Standard duty, anti-static, high temp air supply tube, 10 m
312-03-00P3	3-way manifold
312-03-01P3	2-way manifold
530-12-52P3	Belt unit coupling plug – Rectus 25
530-12-53P3	Belt unit coupling plug – CEJN
530-12-81P3	Socket and plug – CEJN
530-12-82P3	Socket and plug – Rectus
ACU-03	3M™ Aircare™ Filtration System (wall mounted)
ACU-04	3M™ Aircare™ Filtration System (stand alone)

Part No.	Description
BT-20L	Breathing tube with QRS connection, polyurethane (length 96.5 cm), for Versaflo headtops M-Series
BT-20S	Breathing tube with QRS connection, polyurethane (length 73.5 cm), for Versaflo headtops M-Series
BT-30	Breathing tube, self-adjusting (52.5 to 85 cm), with QRS connection, for Versaflo headtops M-Series
BT-40	Breathing tube, heavy-duty rubber (80 cm), with QRS connection, for Versaflo headtops M-Series
TR-325	Belt
V-100E	Versaflo air cooling supplied air regulator V-100E, with belt
V-200E	Versaflo air heating supplied air regulator V-200E, with belt
V-500E	Versaflo flow controlled supplied air regulator V-500E, with belt

## 3M™ Secure Click™ Half Mask Reusable Respirator **HF800 Series**

Designed with smart and intuitive features, the 3M™ Secure Click™ Half Mask Reusable Respirator HF-800 helps protect workers from particulates and a wide variety of gases and vapours when used with approved 3M™ Secure Click™ filters and cartridges.

- Speaking Diaphragm – Designed to help provide easier communication while working
- Patented Silicone Flex-Joint Face Seal – Provides a softer feel for increased comfort on the wearer’s face
- Unique Filter and Cartridge Connection – Align the connections and push to hear a click
- Easy-Adjust Buckle Simple two-way adjustability: pull straps to tighten, squeeze wings to loosen
- Push Button Seal Check – Provides increased worker confidence that the respirator is being worn properly
- Exhalation Valve – Helps direct exhaled breath and moisture downward
- Better Breathability – Two dual-flow cartridges on each respirator combine four airflow paths for easier breathing
- Swept Back Filter and Cartridge Design – For compatibility with certain welding and grinding shields.



Part No.	Description	Qty
	Half Mask Reusable Respirator – Order sizes:	1 case of 10
<b>HF-801SD</b>	Small	
<b>HF-802SD</b>	Medium	
<b>HF-803SD</b>	Large	

### 3M™ Secure Click™ **HF800 Series** Filters (subject to case quantities)



Gas and Vapour Filters



Gas, Vapour and Particulate Combination Filters



Particulate Filters



Particulate Filters with Nuisance Level Organic Vapour and Acid Gas Protection and Ozone up to 10 x WEL



Particulate Filters  
(for use in combination with gas and vapour filters)



Filters Retainer  
(for use in combination with gas and vapour filters)

## 3M™ Reusable Half Masks



Part No.	Description	Qty
	Reusable Half Face Mask – Order sizes:	1 case of 10
<b>6501QL</b>	Small	
<b>6502QL</b>	Medium	
<b>6503QL</b>	Large	

### 3M™ Reusable Half Masks **6500QL Series**

- Ideal for intermittent use – Proprietary quick latch design allows the respirator to be removed and re-fitted quickly and easily, without disturbing other items of PPE
- Can be used with 3M™ Supplied Air Systems
- Choice of sizes
- Comfortable in tough environments – The textured silicone facepiece not only conforms to the shape your face, but also helps to minimise slippage in hot workplaces
- 3M™ Cool Flow™ Valve – The Cool Flow valve reduces heat build-up inside the respirator – even in hot and humid conditions
- Built to last – Manufactured from durable materials, the 6500 is ideal for harsh environments. The construction also minimises small parts and crevices, allowing you to clean the respirator easily
- Works well with other PPE
- Adjustable head harness – Four-point adjustable head harness
- 3M™ flexible bayonet filters connection
- Adjustable head harness assembly offers improved fit and comfort

### 3M™ **7500 Series** Half Face Mask Respirator

- Extremely pliable, soft silicone facepiece – Offers exceptionally high levels of user comfort and a good fit over a broad range of face shapes and sizes
- Choice of sizes
- 3M™ Cool Flow™ Valve – The Cool Flow valve reduces heat build-up inside the respirator – even in hot and humid conditions
- Built to last – Durable construction and a wide range of spare parts
- Adjustable head harness – Enables the user to obtain a balanced, secure fit. Drop-down feature for easy removal during breaks
- 3M™ Bayonet Connection – Flexible system for connection to a wide range of 3M™ gas, vapour and particulate filters
- Compatible with 3M™ 2000, 5000 and 6000 Series filters to suit your individual needs
- Can be used with 3M™ Supplied Air Systems for your increased convenience and flexibility
- Spares and accessories help you maintain the right level of comfort and protection



Part No.	Description	Qty
	Reusable Half Face Mask Respirator – Order sizes:	1 case of 10
<b>7501</b>	Small	
<b>7502</b>	Medium	
<b>7503</b>	Large	

**Then choose your 3M Filters**

6035 P3R  
6038 P3R(HF)

2125 P2R  
2128 P2R  
2135 P3R  
2138 P3R

6051 A1  
6055A2  
6054 K1  
6057 ABE1  
6059 ABEK1  
6075 A1+Form  
5911 P1R  
5925 P2R  
5935 P3R  
501

6096 A1HgP3R



## 3M™ Reusable Half & Full Facemasks

### 3M™ 6000 Series Half Mask

The 6000 Series Respirator is used with twin lightweight filters which are fitted by a simple bayonet attachment system, providing an economical and flexible choice. The respirators can also be used with the 3M S-200 Supplied-Air System for increased convenience and flexibility.



Part No.	Description	Qty
<b>6100S</b>	Half Mask Respirator – Small	12 boxes of 10
<b>6200M</b>	Half Mask Respirator – Medium	12 boxes of 10
<b>6300L</b>	Half Mask Respirator – Large	12 boxes of 10

### 3M™ 6000 Series Full Face Mask Respirator



The 3M 6000 full face mask's low maintenance design offers maximum comfort and simplicity for high efficiency at your workplace. The exhalation valve helps make breathing easier with long-wearing comfort. One of the lightest, most well-balanced respirators available, the 3M 6000 full face masks come with easy-to-adjust head straps. Select the appropriate filters for your individual applications from the 3M comprehensive range.

Part No.	Description	Qty
<b>6700S</b>	Full Face Respirator – Small	12 boxes of 10
<b>6800M</b>	Full Face Respirator – Medium	12 boxes of 10
<b>6900L</b>	Full Face Respirator – Large	12 boxes of 10

## 3M™ Maintenance-Free Reusable Half Mask 4000+ Series

The 3M™ 4000+ Series Reusable Half Face Masks are a range of ready-to-use, maintenance-free half face masks, designed for effective and comfortable protection against many gases, vapours and combination particulate hazards.



- Maintenance-free half mask
- Twin inhalation valves and large, bonded carbon filters with permanently attached particulate filters
- Easy to use as no need for assembly or maintenance

Part No.	Description	Qty
<b>4251+</b>	FFA1P2 R Maintenance-free reusable half mask	1 case of 10
<b>4255+</b>	FFA2P3 R Maintenance-free reusable half mask	1 case of 10
<b>4277+</b>	FFABE1P3 R Maintenance-free reusable half mask	1 case of 10
<b>4279+</b>	FFABEK1P3 R Maintenance-free reusable half mask	1 case of 10



### 3M™ Cool Flow™ Fan 1040 Series

Attaching simply and securely to the 3M™ Maintenance-Free Reusable Respirator, 4000+ Series, 3M™ Cool Flow™ Fan 1040 Series helps to draw heat and moisture away from your face, helping you to stay cool and focus on the task at hand.

Part No.	Description	Qty
<b>1040</b>	Cool Flow™ Fan 1040 Series	1 case of 10

## Disposable Respirators

### 3M™ Aura™ 9322+ & 9332+ Disposable Respirators

- Original 3-panel design allows for greater facial movement
- Maximum usage level: 9322+ up to 10 x WEL, 9332+ up to 20 x WEL
- Low resistance filter technology helps you breathe more easily
- Sculpted upper panel conforms to the nose and contours of the face for an effective seal
- 3M™ Cool Flow™ Valve helps reduce heat build-up in hot and humid conditions
- Embossed top panel helps reduce eyewear fogging
- Chin tab designed for ease of adjustment
- Easy to store
- Colour-coded headbands



Part No.	Description	Qty
<b>9322+</b>	FFP2 Respirator	12 boxes of 10



Part No.	Description	Qty
<b>9332+</b>	FFP3 Respirator	12 boxes of 10

### 3M™ Disposable Respirators, FFP3, Valved – 8825+ & 8835+

- Tested and CE Approved to EN 149:2001+ A1:2009
- Maximum usage level: 8825+ up to 10 x WEL, 8835+ up to 20 x WEL
- Soft inner face-seal ring improves face seal, wearer comfort and allows for hygienic cleaning if used for longer than one shift
- Robust shell and cup design provides multi-shift capability and a securer feel
- 4 point adjustable braided headbands help achieve a more secure fit
- 3M™ Advanced Electret Filter Material offers effective filtration
- 3M™ Cool Flow™ exhalation valve for comfort in hot humid environments
- Coloured head straps for easy identification: blue for FFP2 and red for FFP3



Part No.	Description	Qty
<b>8825+</b>	FFP2 Respirator	12 boxes of 10



Part No.	Description	Qty
<b>8835+</b>	FFP3 Respirator	12 boxes of 10

### 3M™ 8000 Series Cup-Shaped Respirators

- Traditional cup-shaped disposable respirator
- 3M™ Cool Flow™ Valve: The Cool Flow valve reduces heat build-up inside the respirator – even in hot and humid conditions
- Colour-coded headbands offer easy protection level identification – colour coded blue: FFP2 (APF = 10), red: FFP3 (APF = 20)
- 3M™ Cool Flow™ Valve reduces heat and moisture build-up to offer workers comfortable protection – even in hot and humid conditions
- Maximum usage level: 8822 up to 10 x WEL, 8833 up to 20 x WEL



Part No.	Description	Qty
<b>8822</b>	FFP2 Respirator	12 boxes of 10



Part No.	Description	Qty
<b>8833</b>	FFP3 Respirator	12 boxes of 10



## Safety Glasses

### 3M™ SecureFit™ 100 Safety Glasses

- Slim frame
- 3M™ Pressure Diffusion Temple Technology
- Lens shades in clear and grey
- All lens options available with anti-scratch/anti-fog coatings
- Typical weight: 20g

Part No.	Description	Qty
<b>7100244046</b>	SF101-BLK, Anti-Scratch, Clear Lens, 5/pk	10
<b>7100244060</b>	SF101-BLK, Anti-Fog, Clear Lens, 5/pk	10
<b>7100244061</b>	SF107-BLU, I/O, Anti-Scratch, Grey Lens	10



### 3M™ SecureFit™ SF200 Series Protective Eyewear

- Optical class 1 lens suitable for prolonged use
- Design provides excellent coverage and a good field of vision based on the rimless, single lens design
- Offers protection against ultraviolet (UV) radiation
- Typical weight: 18g

Part No.	Description	Qty
<b>7100111990</b>	SF201-EU, Anti-Fog, Clear Lens	10
<b>7100112180</b>	SF201-EU, Anti-Scratch, Clear Lens	10
<b>7100112008</b>	SF203-EU, Anti-Fog, Amber Lens	10

### 3M™ SecureFit™ 500 Safety Glasses

- Helps provide durable scratch resistance in tough environments
- The 3M™ Scotchgard™ coating is tested to EN 168 K&N for Anti-Fog/Scratch performance
- Optional foam gasket
- Typical weight: 22g or 27g with foam gasket

Part No.	Description	Qty
<b>7100244045</b>	SF501-BLK, Anti-Fog, Clear Lens	10
<b>7100243979</b>	SF501-BLK, Anti-Scratch, Clear Lens	10
<b>7100243142</b>	SF501-BLK, Scotchgard Anti-Fog/Scratch, Clear Lens	10
<b>7100243964</b>	SF501BLK-FM, Scotchgard Anti-Fog/Scratch, Clear Lens + Foam	10
<b>7100243977</b>	SF517-GRN, I/R 1.7, Anti-Scratch Plus, Grey Lens	10
<b>7100243978</b>	SF550-GRN, IR 5.0, Anti-Scratch Plus, Grey Lens	10
<b>7100243943</b>	SF500-FOAM, Foam Gasket for SF500	10



## Safety Goggles

### 3M™ Safety Goggles 2890 Series

- Optical class 1 lens for prolonged use
- Modern slim design
- Wide adjustable strap for comfortable fit
- Pivoting ratchet for individual adjustment and fit
- Weight approximately 99g

Part No.	Description	Qty
<b>7000032480</b>	GG2890, Clear, Polycarbonate Lens	10



### 3M™ GoggleGear™ 6000 Series Safety Goggles

- Indirect Venting – Helps reduce fogging
- Soft Goggle Shroud – Helps seal against the face
- Easy Cleaning – Can be disassembled for cleaning
- Large Profile – Can fit over numerous prescription eyeglasses
- Spherical curved lens for optimal horizontal and vertical field of vision
- Weight approximately 83g

Part No.	Description	Qty
<b>7100216582</b>	GG6001SGAF-BLK, Clear Lens	10
<b>7100244200</b>	GG6000SGAF-BLK, Clear Lens with a flip down Grey IR5 lens	10

**Style.  
Comfort.  
Performance.**

Get the job done in style with the large-profile 3M™ GoggleGear™ 6000 Series.







3M™ Premium Industrial Abrasives

CUBITRON II

Scotch-Brite™



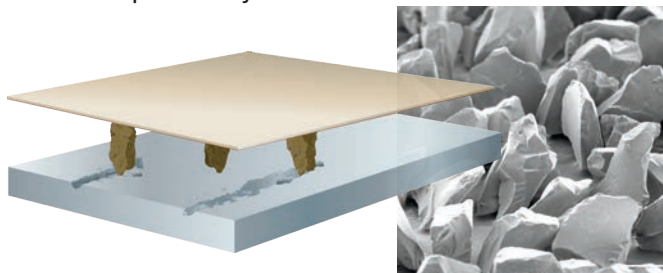
## CUBITRON™ II

### Grinding and cutting reinvented

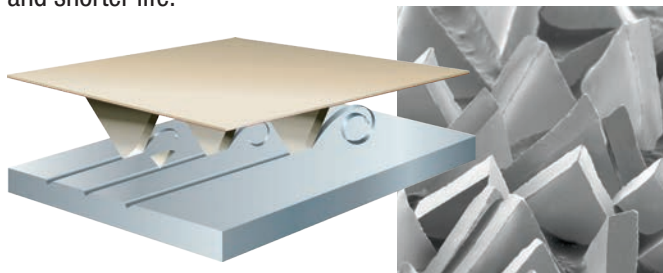
3M™ Cubitron™ II abrasives are revolutionising the cutting and grinding process. They're faster cutting and longer lasting than conventional abrasives.

With 3M Precision-Shaped Grain technology that transforms the process of grinding and cutting metal, Cubitron II abrasives:

- Cut faster
- Stay sharp longer
- Require less pressure
- Help reduce operator fatigue
- Increase productivity



Conventional ceramic abrasive grain is irregular in shape. Instead of a clean, machining action, the grain 'ploughs' through the metal, causing heat build-up, slower cutting and shorter life.



3M Precision-Shaped Grain in Cubitron™ II abrasives continuously fracture to form sharp points and edges – slicing cleaner and faster, staying cooler and lasting many times longer.

### 3 reasons why it's better

- 1 Cuts faster**  
helps improve productivity and throughput
- 2 Lasts longer**  
helps save money
- 3 Easier to use**  
good for your workers, good for your business

## Scotch-Brite™

### Prepared for perfection

The perfect finish starts with Scotch-Brite™

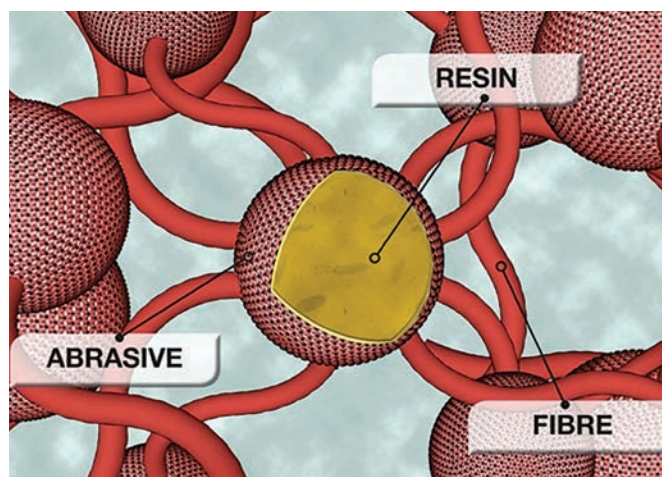
Performance. Durability. Reliability. Excellence. We don't release a surface conditioning product until we can guarantee it delivers all four. Because at Scotch-Brite, our standards are as high as yours. After all, if you don't compromise on quality, why should we?

### Scotch-Brite Non-Woven Technology Explained

Our unique Non-Woven Web is the secret to superior performance. It binds together synthetic fibres and abrasive particles to create a conformable, three-dimensional material. Its open structure reduces the risk of warping or discolouring the part, resists loading, improves finish and prolongs the product's life. What's more, our Non-Woven Web is engineered to continually expose fresh abrasive to the work surface, for a consistent, smoother finish – without the risk of overworking the part and disturbing critical tolerances.

### What makes Scotch-Brite the best you can buy?

- A tough, non-woven nylon web impregnated with resin and mineral throughout its structure
- Spring-like action produces a smooth, burr-free surface
- Uniform, consistent results with no undercutting
- Suitable for deburring, finishing, cleaning and small weld removal applications
- Easy to use, less rework, fewer rejects



## Cut-off Wheels

### 3M™ Silver Cut-off Wheel

Acts like a cutting tool, slicing through metal like a knife. The material is continuously self-sharpening, as points break off during use to expose new sharp edges – slicing cleaner and faster, staying cooler and lasting many times longer than conventional grain types.

Part No.	Diameter (mm)	Thickness (mm)	Centre hole	Type	Max RPM	Box Qty
<b>51785</b>	115	1.0	22.23	T41	13300	25
<b>51787</b>	115	1.6	22.23	T41	13300	25
<b>51800</b>	115	2.5	22.23	T42	13300	25
<b>51790</b>	125	1.0	22.23	T41	12250	25
<b>51804</b>	230	2.0	22.23	T41	6650	25

Other sizes available – call for details.



## Grinding Wheels

### 3M™ Silver Depressed Centre Grinding Wheel

Featuring 3M's Precision-Shaped Ceramic Grain, cut faster and last longer than competitive aluminum oxide and alumina zirconia wheels. They have been designed for everyday high performance, helping you to reduce your abrasive spend without compromising on performance.

Part No.	Diameter (mm)	Thickness (mm)	Centre hole	Type	Max RPM	Box Qty
<b>51747</b>	115	7	22.23	T27	13300	10
<b>51748</b>	125	7	22.23	T27	12250	10
<b>51751</b>	230	7	22.23	T27	6500	10

Also available in 100mm, 125mm, 150mm and 180mm.



### 3M™ Cubitron™ II Fibre Disc 982C

3M 982C Fibre Discs are designed for all applications typical of such abrasives, including but not limited to beveling, weld grinding, weld preparation, and general sanding/grinding where the edge of the disc is not used. The primary substrate for this product is mild (carbon) steel.

Part No.	Diameter (mm)	Centre Hole (mm)	Grit	Max RPM	Accessory	Box Qty
<b>55075</b>	115	22	36+	13300	64860	25
<b>55073</b>	125	22	36+	12000	64861	25
<b>27698</b>	180	22	36+	8600	64862	25



**CUBITRON II**

### 3M™ Cubitron™ II Fibre Disc 982CX Pro

The 3M™ Cubitron™ II Fibre Disc 982CX Pro features reinvented precision-shaped grain and redesigned construction for faster cutting, longer life and improved performance. Ideal for medium and high-pressure applications such as weld removal, beveling and other aggressive grinding applications.

Part No.	Diameter (mm)	Centre Hole (mm)	Grit	Max RPM	Accessory	Box Qty
<b>83323</b>	115	22	36+	13300	64860	25
<b>83322</b>	125	22	36+	12000	64861	25
<b>83221</b>	180	22	36+	8600	64862	25



**CUBITRON II**

## Grinding Wheels

### 3M™ Cubitron™ II Fibre Disc 987C

3M 982C Fibre Discs are designed for all applications typical of such abrasives, including but not limited to beveling, weld grinding, weld preparation, and general sanding/grinding where the edge of the disc is not used. The primary substrate for this product is mild (carbon) steel.

Part No.	Diameter (mm)	Centre Hole (mm)	Grit	Max RPM	Accessory	Box Qty
<b>27619</b>	115	22	36+	13300	64860	25
<b>27645</b>	115	22	60+	13300	64860	25
<b>27649</b>	115	22	80+	13300	64860	25

Also available in 100mm, 125mm, 150mm and 180mm.

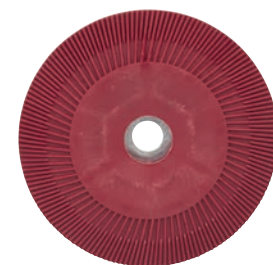


CUBITRON II

### Accessories: 982C, 982CX Pro & 987C Back-up Pads

For heavy stock removal.

Part No.	Description	Size	Colour	Max RPM	Box Qty
<b>64860</b>	3M™ Cubitron™ II Ribbed Back-Up Pad	115mm x M14 – 2.0	Red	13300	10
<b>64861</b>	3M™ Cubitron™ II Ribbed Back-Up Pad	125mm x M14 – 2.0	Red	12200	10
<b>64862</b>	3M™ Cubitron™ II Ribbed Back-Up Pad	180mm x M14 – 2.0	Red	8500	10



### 3M™ Fibre Disc 782C

3M 782C fibre discs are designed for all applications typical of such abrasives, including but not limited to beveling, weld grinding, weld preparation, and general sanding/grinding where the edge of the disc is not used. The primary substrate for this product is mild (carbon) steel.

Part No.	Diameter (mm)	Centre Hole (mm)	Grade	Max RPM	Accessory	Box Qty
<b>89714</b>	115	22	36+	13200	7306	25
<b>89718</b>	115	22	60+	13200	7306	25
<b>89722</b>	115	22	80+	13200	7306	25

Also available in 100mm, 125mm and 180mm.

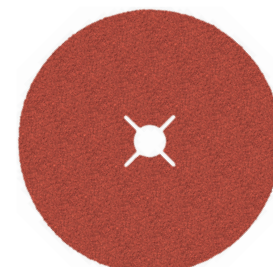


### 3M™ Fibre Disc 787C

Designed for all applications typical of such abrasives, including but not limited to beveling, weld grinding, weld preparation, and general sanding/grinding where the edge of the disc is not used. The primary substrates for this product are stainless steel and other nickel/chromium-based alloys. It is also recommended for non-ferrous alloys such as aluminum and titanium.

Part No.	Diameter (mm)	Centre Hole (mm)	Grade	Max RPM	Accessory	Box Qty
<b>89730</b>	115	22	36+	13200	7306	25
<b>89734</b>	115	22	60+	13200	7306	25
<b>89738</b>	115	22	80+	13200	7306	25
<b>89742</b>	115	22	120+	13200	7306	25

Also available in 100mm, 125mm and 180mm.





## Grinding Wheels

### Accessories: 782C & 787C Back-up Pad

Part No.	Description	Size	Colour	Max RPM	Box Qty
<b>7306</b>	3M™ Flat Semi-Flexible Pad (for blending and finishing)	115mm x M14 – 2.0	Black	13200	5



### 3M™ Flap Disc 769F

3M Flap Disc 769F is designed medium to high unit-pressure applications. The primary substrates for this product are carbon steel, stainless steel and other nickel/chromium-based alloys.

Part No.	Diameter (mm)	Centre Hole (mm)	Grade	Max RPM	Type	Box Qty
<b>51991</b>	115	22	40+	13300	Conical	25
<b>51993</b>	115	22	60+	13300	Conical	25
<b>51995</b>	115	22	80+	13300	Conical	25

Also available in 125mm and 180mm and Type 27 Flat version.

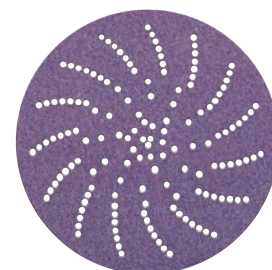


## Sanding

### 3M™ Cubitron™ II Hookit™ Sanding Disc 775L

The 3M™ Cubitron™ II Sanding Disc is a revolutionary advancement in abrasive technology featuring triangular shaped ceramic mineral. As the triangular shaped grain wears, it continually fractures to form sharp points that slice through the substrate, wear evenly and provide extra-long life and consistency.

Part No.	Diameter (mm)	Grit	Fixing System	Max RPM	Hole Config.	Box Qty
<b>86824</b>	152	80+	Hookit	12000	Clean Sand	50
<b>86825</b>	152	120+	Hookit	12000	Clean Sand	50
<b>64259</b>	152	150+	Hookit	12000	Clean Sand	50
<b>64265</b>	152	180+	Hookit	12000	Clean Sand	50
<b>64271</b>	152	220+	Hookit	12000	Clean Sand	50



**CUBITRON™ II**

### 3M™ Cubitron™ II 710W Xtract™ Sanding Disc

The 3M™ Cubitron™ II 710W Xtract™ Sanding Disc is designed to help ensure a consistent and perfect finish on multiple substrates, including wood, metal, and composites. The 3M Xtract™ helps improve productivity, performance and the final finish, whilst maintaining a virtually dust-free work environment – thanks to advanced dust extraction technology.

Part No.	Diameter (mm)	Grit	Fixing System	Max RPM	Hole Config.	Box Qty
<b>86824</b>	152	80+	Hookit	12000	Clean Sand	50
<b>86825</b>	152	120+	Hookit	12000	Clean Sand	50
<b>64259</b>	152	150+	Hookit	12000	Clean Sand	50
<b>64265</b>	152	180+	Hookit	12000	Clean Sand	50
<b>64271</b>	152	220+	Hookit	12000	Clean Sand	50



**CUBITRON™ II**

## Clean & Strip Disc

### 3M™ Scotch-Brite™ Clean & Strip XT Pro Disc X0-RD

Nonwoven Abrasive Disc for cleaning, finishing, polishing, blending, scuffing, deburring and paint stripping.

Part No.	Diameter (mm)	Centre Hole (mm)	Grade	Max RPM	Colour	Box Qty
<b>51889</b>	115	22	S XCRS	13000	Dark Purple	10



## Unitised Discs

### 3M™ Scotch-Brite™ Deburr and Finish Pro Discs DP-UD

Designed to make a variety of metalworking applications easier and more efficient for industrial professionals. Typically, abrasives excel in one area: deburring, finishing or blending. This multi-purpose disc is unique, because it's engineered to do all three.

Part No.	Diameter (mm)	Centre Hole (mm)	Grade	Max RPM	Colour	Box Qty
<b>51961</b>	115	22.23	8C CRS+	13300	Grey	10
<b>713542</b>	115	22.23	6C MED	13300	Grey	10
<b>51962</b>	115	22.23	2S FIN	13300	Grey	10



## Surface Conditioning Discs

### 3M™ Scotch-Brite™ Hookit™ Backed Discs SC-DH

Refine heavy scratches, improve aesthetic finish, blend and prepare for painting.

Part No.	Diameter (mm)	Centre Hole (mm)	Grade	Max RPM	Colour	Box Qty
<b>430399</b>	100	16	ACRS	15200	Blue	22
<b>408207</b>	100	16	AMED	15200	Maroon	22
<b>421223</b>	100	16	AVFN	15200	Brown	22
<b>60981</b>	115	22	ACRS	13200	Light Brown	20
<b>60982</b>	115	22	AMED	13200	Maroon	20
<b>60983</b>	115	22	AVFN	13200	Blue	20



### Accessories: Surface Conditioning Back-up Pad

Part No.	Description	Size	Colour	Max RPM	Box Qty
<b>61678</b>	Scotch-Brite™ Centre-Pin Hook & Loop Back Up Pad	100mm x M14	Black	18000	1
<b>61680</b>	Scotch-Brite™ Centre-Pin Hook & Loop Back Up Pad	115mm x M14	Black	12000	1



## Refining/Surface Preparation

### 3M™ Scotch-Brite™ Handpads

General purpose cleaning, blending, prep work and finishing. Other grades available, as well as rolls.

Part No.	Product Type	Size (mm)	Width & Length (mm)	Grade	Colour	Box Qty
<b>5303</b>	7447+	155	155 x 225	A VFN	Maroon	20
<b>5304</b>	7448+	155	155 x 225	S ULFN	Grey	20
<b>5306</b>	7486	155	155 x 225	A CRS	Dark Green	20



### 3M™ Scotch-Brite™ Roloc™ Surface Conditioning Disc SC-DR

Aggressively deburrs and finishes.

Part No.	Diameter (mm)	Grade	Colour	Max RPM	Accessory	Box Qty
<b>05532</b>	75	A CRS	Brown	18000	45091	25
<b>05531</b>	75	A MED	Maroon	18000	45091	25
<b>05530</b>	75	A VFN	Blue	18000	45091	25



### 3M™ Scotch-Brite™ Bristle Brush

Scotch-Brite Bristle products are injection moulded with the abrasive mineral distributed throughout the nylon material for a 3-dimensional product. They are used for: Deburring, Blending, Cleaning and Coating Removal.

Part No.	Type	Diameter (mm)	Colour	Grit	Max RPM	Box Qty
<b>62968</b>	BB-ZS	76	Yellow	P80	10000	6





# Other SWP Products

## **CONSUMABLES**

Super 6 and Superon welding and brazing products for joining large fabrications and DIY use.

## **WELDING MACHINES**

As well as the impressive range of Stealth machines, SWP also offer Redline Automotive and Proline Professional Mig machines.

## **WELDER GENERATORS**

Petrol and diesel, portable and static – all with a two-year warranty. Designed and manufactured by Genset in Italy.

## **MIG WELDING**

A comprehensive range of Compatible Torches, Consumables and Euro Conversion Kits.

## **TIG WELDING**

A wide range of Compatible Torches, Consumables, Cables, Handles, Connectors, Adaptors and Fittings.

## **PLASMA CUTTING**

Offering Compatible Torches, Consumables, Central Connectors, Circle Cutting Kits and Attachments.

## **ARC WELDING ACCESSORIES**

Electrode Holders, Clamps, Connectors and other accessories – plus Ovens and Quivers.

## **ABRASIVES**

Featuring 3M™ Premium Cutting and Grinding Discs.

## **GAS WELDING & CUTTING**

For all you need from Regulators, Nozzles, Hoses and Fittings to Cutting Equipment.

## **SAFETY & PPE**

3M™ Welding Helmets and PAPR plus a comprehensive range of quality PPE and Workplace Protection.

## **SUMNER TOOLS**

For Pipe Stands Jacks, Heads and Clamps to cover most applications from the workshop to oil fields.

## **STRONGHAND TOOLS**

Including Tables, Pliers, Clamps, Magnetic Fit-Up Tools plus Markal Industrial Markers and Tempil Temperature Indicators.

## **AIR EQUIPMENT**

Compressors, Spray Kits & Accessories, Mighty Seven Heavy Duty and a budget range of Maintenance Tools.

## **CORDLESS TOOLS**

This range is particularly suited to the auto workshop. These heavy duty tools include LED Torches and Light Bars.





**Selected by  
Professionals**

**SPECIALISED WELDING PRODUCTS LTD**

**Head Office**

Unit 1, Farringdon Industrial Centre, Farringdon, Nr Alton, Hampshire GU34 3DD, UK

**National Distribution Depot**

Unit 1, Withins Point, Withins Road, Haydock Industrial Estate, Haydock WA11 9UD, UK

**Customer Service**

**T** +44 (0)1420 588180 | **F** +44 (0)1420 588184 | **E** [sales@swp.uk.net](mailto:sales@swp.uk.net)

**specialised  
welding.co.uk**