

RESTAURANT RANGES

VULCAN**36" ELECTRIC RESTAURANT RANGE
3 HOT TOPS**

Model EV36S-3HT208
shown with adjustable legs

**SPECIFICATIONS**

36" wide electric restaurant range, Vulcan Model No. EV36S-3HT208. Fully MIG welded aluminized steel frame for added durability. Stainless steel front, sides, back riser, plate shelf and 6" adjustable legs. Three 12" x 24" thermostatically controlled hot top sections, 5 KW input. Full width pull out stainless steel crumb tray located beneath the cooking top. Comes with one standard oversized oven. Oven interior measures 26½"w x 26⅜"d x 14"h. Comes with one oven rack and three rack positions. Oven door is heavy duty with an integrated door hinge / spring mechanism, requiring no adjustments. Top browning heat control. Thermostat adjusts from 200°F to 500°F. Oven controls are protected from heat in an insulated side compartment. Requires 208, 240 or 480 volt, 1 or 3 phase power supply. All ranges shipped in 3 phase and are field convertible to single phase.

Exterior Dimensions:

34"d x 36"w x 58"h on 6" adjustable legs

- EV36S-3HT208** 3 Hot Tops / Standard Oversized Oven / 208V
- EV36S-3HT240** 3 Hot Tops / Standard Oversized Oven / 240V
- EV36S-3HT480** 3 Hot Tops / Standard Oversized Oven / 480V

STANDARD FEATURES

- Fully MIG welded aluminized steel frame for added durability
- Stainless steel front, sides, back riser, shelf and legs
- Full width pull out stainless steel crumb tray
- Three 12" x 24" thermostatically controlled hot top sections
- 5 KW oven with top browning control
- One standard oversized oven, interior measures 26½"w x 26⅜"d x 14"h
- Thermostat adjusts from 200°F to 500°F
- Cool to the touch control knobs
- One oven rack and three rack positions
- 18" x 26" sheet pans fit side to side and front to back
- Requires 208, 240 or 480 volt, 1 or 3 phase power supply. (Ranges shipped in 3 phase and are field convertible to single phase)
- One year limited parts and labor warranty

ACCESSORIES (Packaged & Sold Separately)

- Extra oven rack with two rack guides
- Set of four casters (two locking)
- 10" stainless steel stub back
- Towel bar
- Cutting board
- Condiment rail
- Fryer shield

Note: Due to excessive heat an ESB36 salamander broiler cannot be mounted on this range.

VULCAN

a division of ITW Food Equipment Group LLC

P.O. Box 696 ■ Louisville, KY 40201 ■ Toll-free: 1-800-814-2028 ■ Local: 502-778-2791 ■ Quote & Order Fax: 1-800-444-0602



36" ELECTRIC RESTAURANT RANGE 3 HOT TOPS

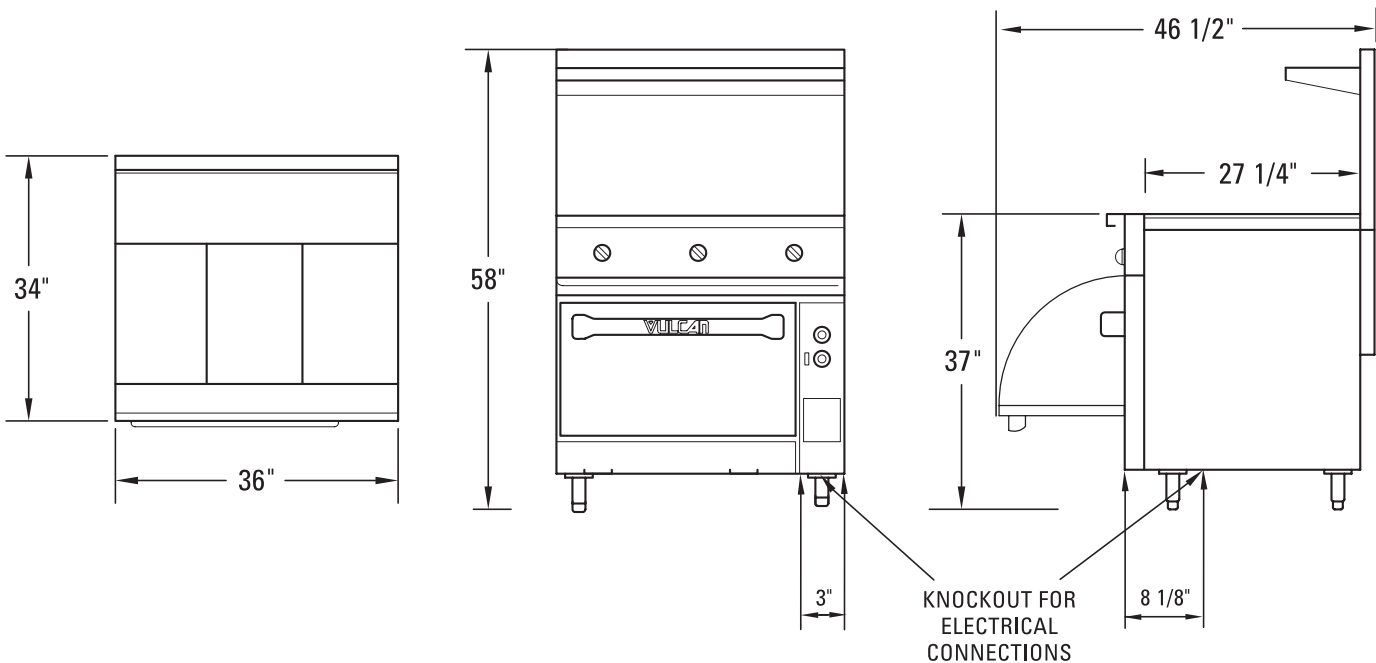
INSTALLATION INSTRUCTIONS

Clearances from Combustible Construction
Range Only

| Rear | Sides |
|------|-------|
| 0" | 0" |

Clearance Note: Electric Ranges are 0 inches sides and 0 inches rear from combustible and non-combustible constructions *except when hot top sections are incorporated.*

Ranges incorporating hot top sections are 0 inches sides and 0 inches rear to non-combustibles and 6 inches sides and 6 inches rear to combustible constructions.



| AVAILABLE VOLTAGES - 208, 240 OR 480 VOLT - 1 OR 3 PHASE | | | | | | | | | |
|--|---------|---------------------|--------------|------|-----|----------------------------|------|------|---------|
| 3 PHASE LOADING | | | | | | NOMINAL AMPS PER LINE WIRE | | | |
| MODEL NUMBER | VOLTAGE | TOTAL CONNECTING KW | KW PER PHASE | | | 3 PHASE | | | 1 PHASE |
| | | | X-Y | Y-Z | X-Z | X | Y | Z | |
| EV36S-3HT208 | 208 | 20.0 | 5.0 | 10.0 | 5.0 | 41.6 | 62.5 | 62.5 | 96.2 |
| EV36S-3HT240 | 240 | 20.0 | 5.0 | 10.0 | 5.0 | 36.1 | 54.1 | 54.1 | 83.3 |
| EV36S-3HT480 | 480 | 20.0 | 5.0 | 10.0 | 5.0 | 18.1 | 27.1 | 27.1 | 41.7 |

This appliance is manufactured for commercial use only and is not intended for home use.



a division of ITW Food Equipment Group LLC

P.O. Box 696 ■ Louisville, KY 40201 ■ Toll-free: 1-800-814-2028 ■ Local: 502-778-2791 ■ Quote & Order Fax: 1-800-444-0602

NOTE: In line with its policy to continually improve its products, Vulcan reserves the right to change materials and specifications without notice.