



Prep & Pack Workstation Table



Read and understand all of the instructions and safety information in this manual before operating this product.

Table of Contents

General Specifications.....	3
Table Heights (Fixed and Adjustable).....	5
Unpacking Instructions.....	6
Assembly Instructions.....	7
Optional Accessories Installation.....	8
Manual Hydraulic Pumps with Handcrank.....	9
Motorized Adjustable Height Prep and Pack Tables - Control Panel Technical Data.....	10
Adjustable Height Prep and Pack Tables - Control Panel Setup and Operation.....	11
Replacing the Memory Control Pad (H0090-PBD-110).....	13
Installing the Replacement Memory Control Pad.....	14
Programming the Replacement Memory Control Pad.....	15
Casters and Wheels - Care and Maintenance.....	16
Instructions for Cleaning Stainless Steel Tables.....	17
Replacement Parts/Accessories - General.....	18
Replacement Parts/Accessories Table.....	19
Limited Lifetime Warranty.....	20

DESCRIPTION OF PRODUCT

This manual covers stationary height, manual and motorized Prep and Pack adjustable height table models:

Stationary	Manual	Motorized
TWS-3060-B	TWS-3060-AH-B	TWS-3060-EAH-B
TWS-3660-B	TWS-3660-AH-B	TWS-3660-EAH-B
TWS-3072-B	TWS-3072-AH-B	TWS-3072-EAH-B
TWS-3672-B	TWS-3672-AH-B	TWS-3672-EAH-B

PURPOSE OF THIS MANUAL

This manual covers the specifications, operation and maintenance of the Prep and Pack adjustable height tables.

KEEP THIS MANUAL

General Specifications

Material:

300 Series Stainless Steel

Table Dimensions for Stationary Height, Manual and Motorized Adjustable Height Tables:

Base Model #	Overall Dimensions
TWS-3060-B	32" D x 60" W x 84" H (81cm D x 152cm W x 213cm H)
TWS-3660-B	38" D x 60" W x 84" H (96.5cm D x 152cm W x 213cm H)
TWS-3072-B	32" D x 72" W x 84" H (81cm D x 183cm W x 213cm H)
TWS-3672-B	38" D x 72" W x 84" H (96.5cm D x 183cm W x 213cm H)
TWS-3060-B-AH	32" D x 60" W x 82-94" H (81cm D x 152cm W x 208-239cm H)
TWS-3660-B-AH	38" D x 60" W x 82-94" H (96.5cm D x 152cm W x 208-239cm H)
TWS-3072-B-AH	32" D x 72" W x 82-94" H (81cm D x 183cm W x 208-239cm H)
TWS-3672-B-AH	38" D x 72" W x 82-94" H (96.5cm D x 183cm W x 208-239cm H)
TWS-3060-B-EAH	32" D x 60" W x 82-94" H (81cm D x 152cm W x 208-239cm H)
TWS-3660-B-EAH	38" D x 60" W x 82-94" H (96.5cm D x 152cm W x 208-239cm H)
TWS-3072-B-EAH	32" D x 72" W x 82-94" H (81cm D x 183cm W x 208-239cm H)
TWS-3672-B-EAH	38" D x 72" W x 82-94" H (96.5cm D x 183cm W x 208-239cm H)

Power Requirements:

120 Volt, 60 Hz, single phase, 15 amp GFCI protected electrical outlet, installed per local building codes, and provides protective grounding.

Power Strip

NEMA 5-15 Socket x NEMA 5-15 Plug. 120V AC, 24" long Aluminum Outlet Strip, 8 Outlets, 2" Outlet Center-to-Center, Circuit breaker power switch, 6 Feet Long Cord.

Magnifier Light

Magnification - 1.75, Diopter - 3, Lumens - 900, Watts - 22, Light type - Fluorescent, Light Diameter - 5", Cord Conductor - 3, Cord Length - 6', Arm Length 45". Magnifier Light has clamp base, external spring arm, steel shade.

UL Approved:

All individual electronic components are UL and cUL approved and/or recognized.

Prep and Pack Workstation Tables may be ordered with optional 4" Pull Handles made of CuVerro® Bactericidal Copper.



- This product is made from a copper surface that continuously kills bacteria* left behind by dirty hands, killing more than 99.9% of bacteria* within 2 hours.

Laboratory testing has shown that when cleaned regularly this surface:

- Kills more than 99.9% of bacteria* within 2 hours, and continues to kill 99% of bacteria* even after repeated contamination.
- Delivers continuous and ongoing antibacterial* action, remaining effective in killing greater than 99.9% of bacteria* within 2 hours.
- Helps inhibit buildup and growth of bacteria* within 2 hours of exposure between routine cleaning and sanitizing steps.
- Kills greater than 99.9% of Gram-negative and Gram-positive bacteria* within 2 hours of exposure.
- Continuously reduces bacterial* contamination, achieving 99.9% reduction within 2 hours of exposure.

* Laboratory testing shows that, when cleaned regularly, CuVerro surfaces kill greater than 99.9% of the following bacteria within 2 hours of exposure: Methicillin-Resistant Staphylococcus aureus, Staphylococcus aureus, Enterobacter aerogenes, Pseudomonas aeruginosa, E. coli O157:H7, and Vancomycin-Resistant Enterococcus faecalis (VRE).

The use of CuVerro® bactericidal copper products is a supplement to and not a substitute for standard infection control practices; users must continue to follow all current infection control practices, including those practices related to cleaning and disinfection of environmental surfaces. This surface has been shown to reduce microbial contamination, but it does not necessarily prevent cross-contamination.

CuVerro® is a registered trademark of GBC Metals, LLC and is used with permission.

EPA Company No. 92702-IL-1

EPA Registration No. 92701

Table Height for Fixed Height

The height of the fixed height table is 36 inches (from floor to table top).

Model shown is TWS3060 (width and depth are model dependant)

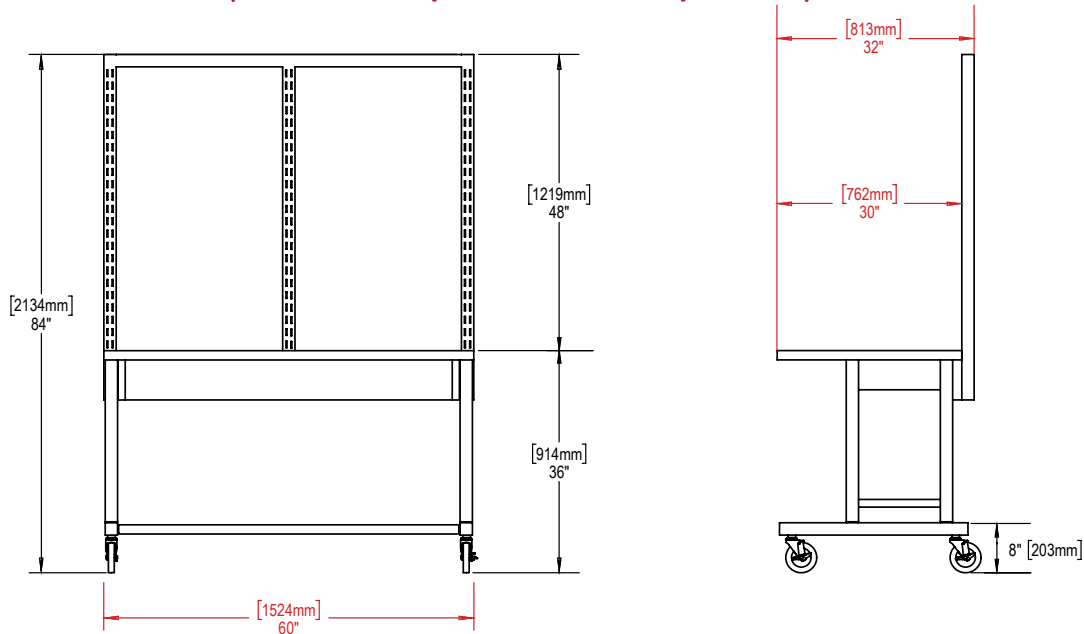


Table Extension Minimum/ Maximum Heights (Adjustable Height)

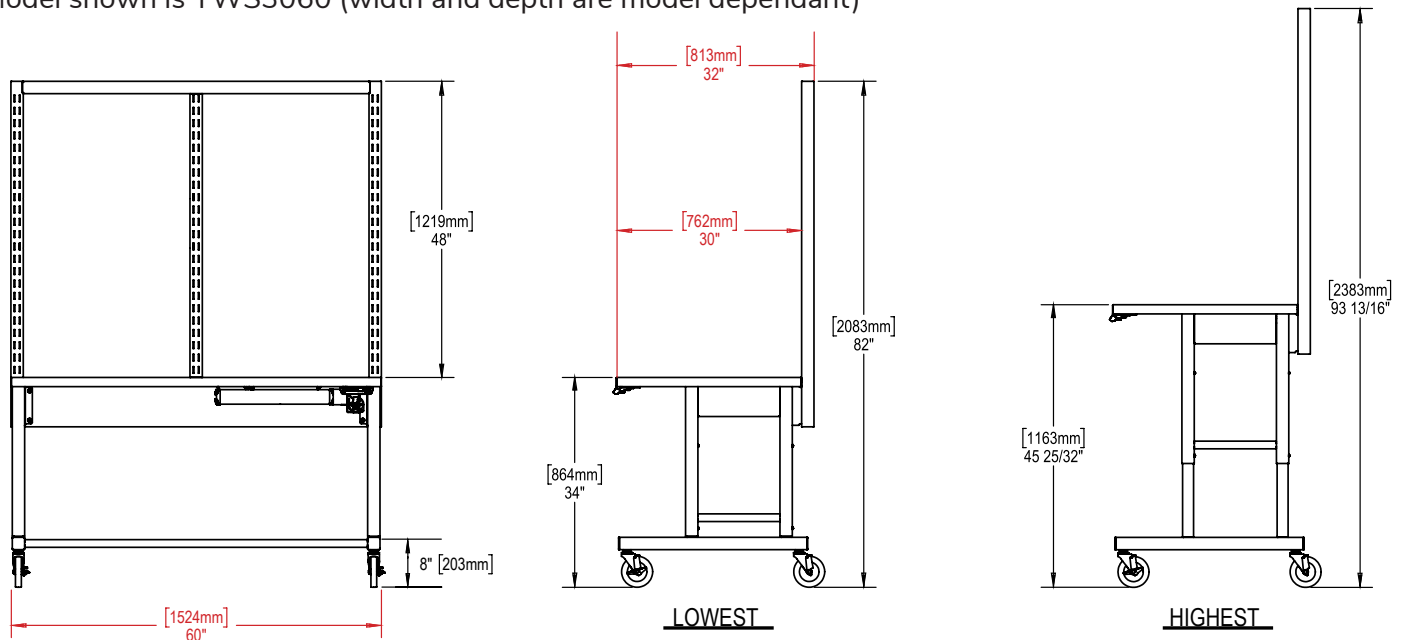
The minimum height of the adjustable height table is 34 inches (from floor to table top).

The maximum extended height of the adjustable height table is 45 13/16 inches (from floor to table top).

The minimum overall lowered height is 82 inches (from floor to top of back frame).

The maximum overall extended height is 93 13/16 inches (from floor to top of back frame).

Model shown is TWS3060 (width and depth are model dependant)



Unpacking Instructions

Inspection

1. Receiving area must meet all State and Local regulations prior to unpacking.
2. Customer must inspect skid and Table both before and after unpacking to determine if any items were damaged during shipping.
3. All damaged items must be listed on the Bill of Lading.
4. Customer is responsible for the proper disposal of all packing materials. The disposal of these items must meet all State and Local regulations.

Unpacking the Prep and Pack Table

Prep and Pack Tables are shipped on well-constructed wooden skids with a protective wooden frame. Steel bands secure the Table to the skid with foam blocks protecting the Casters. The stainless steel top of the table is protected by a heavy cardboard sheet, and the entire table is protected by layers of plastic wrapping.

Care must be taken while unpacking the table to avoid damage. Do not drop tools on the table or scratch the surfaces with sharp edges.

IMPORTANT: Wear gloves and eyewear during the unpacking operation.

Retain all shipping materials until the table is completely unpacked and inspected for damage.

5. Use tin snips to cut the metal bands holding the table to the wooden skid.
6. Remove the wooden framework.
7. Remove the plastic protective wrapping.



Caution! Do not use a box cutter or any other cutting utensil to remove the plastic wrapping around the table. These items can scratch the protective coating on the stainless steel, allowing the surface to rust.

8. Carefully lift the table off the wooden skid and place it on its Casters.



Assembly Instructions

The TWS-series Prep and Pack Table is shipped with the back frame in a lowered position. This is to facilitate easier shipping.

9. To raise the back frame to its operational position, remove the four hex bolts and washers that hold the back frame in its shipping position (Fig. 1).
10. Remove the the two shipping brackets (Fig. 1). (shown in green). Save these in case the Prep and Pack Table is moved to another location.
11. Raise the back frame and align its mounting

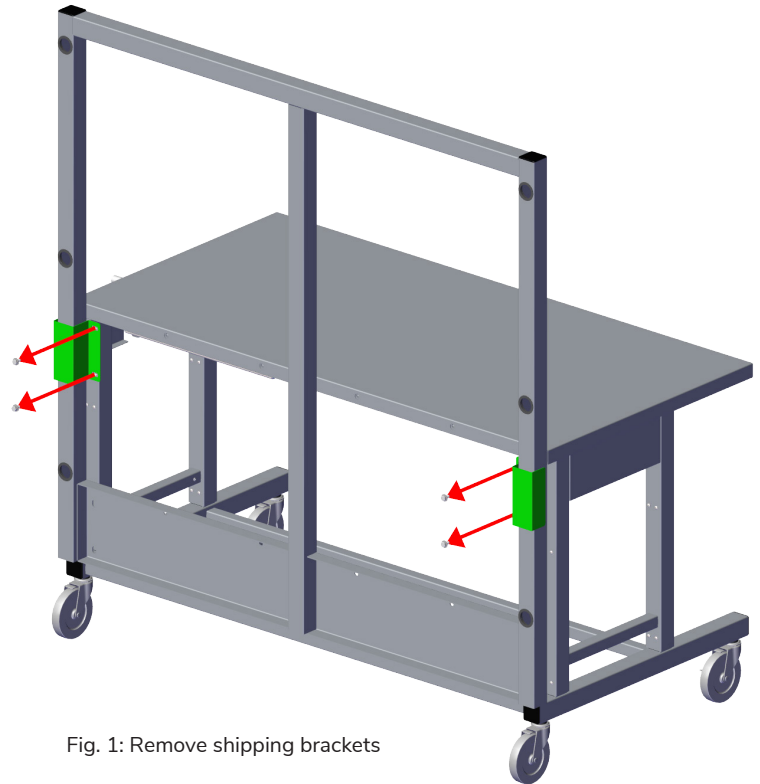


Fig. 1: Remove shipping brackets

plate holes with the table bolt holes. (Fig. 2).

12. Insert the bolts and washers through the back frame mounting plate holes (two bolts at each end and four bolts along top edge) and tighten (Figs. 2).
13. If the unit must be moved to a new location, remove the bolts, lower the back bracket to its shipping position, reinsert the shipping brackets and resecure with the bolts.

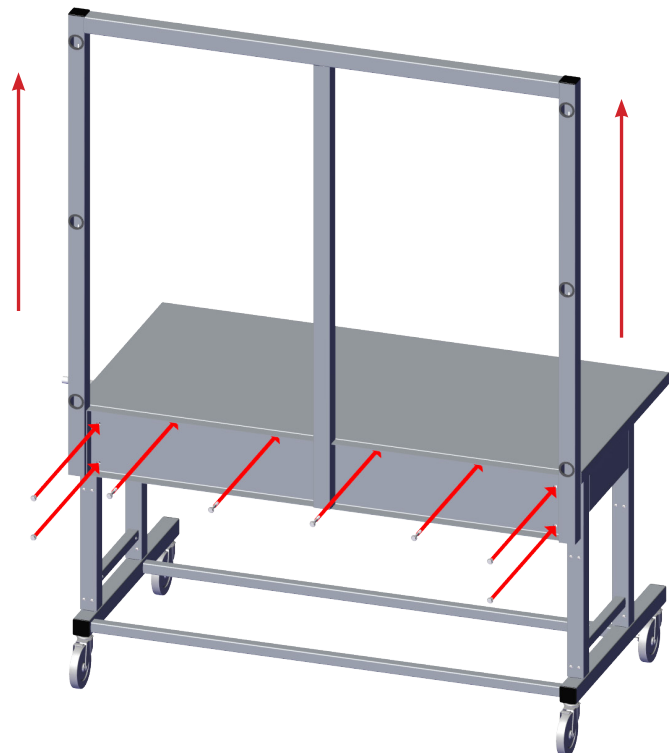


Fig. 2: Raise and secure back frame to table

Optional Accessories Installation

Back Frame Accessories Installation Instructions

All accessories that can be mounted to the back frame should be installed by fitting its tabs into slots on the back frame. (See Fig. 3)
 These include: Overhead light, adjustable shelves, bin rail, power strip bar, spool holder, magnetic white board, and angled adjustable shelves.

Install your accessories on the back frame in a configuration that best suites your facilities needs.

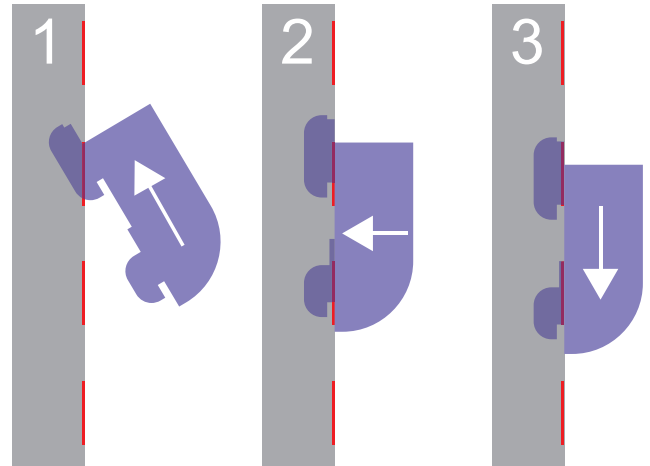
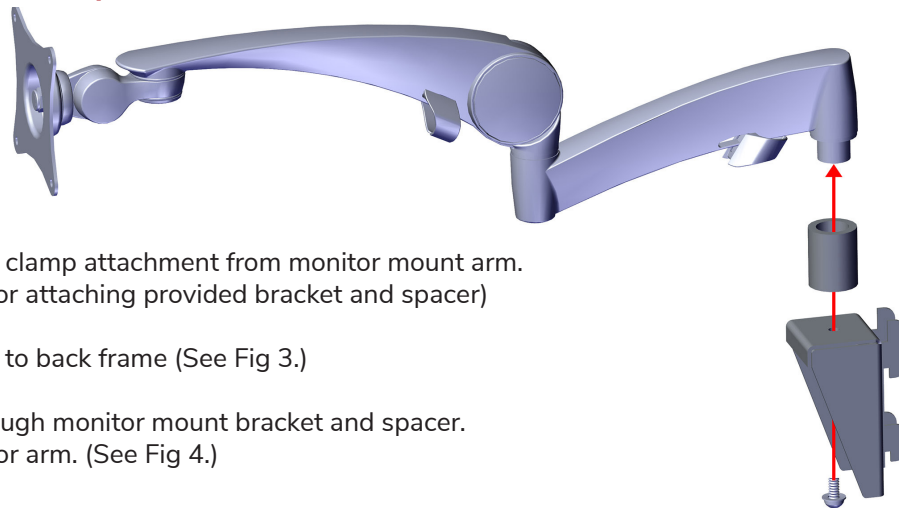


Fig. 3: Example of accessories installed into slots

Monitor Mount Assembly



Remove factory table clamp attachment from monitor mount arm.
 (Save bolt to re-use for attaching provided bracket and spacer)

Install monitor mount to back frame (See Fig 3.)

Install saved bolt through monitor mount bracket and spacer.
 Tighten bolt to monitor arm. (See Fig 4.)

Fig. 4: Monitor mount arm installation onto bracket

Magnifier Light Mounting Instructions

The magnifier light mounts to the table itself.

Note: It can only be mounted toward the front of the desk (shown in green - Fig 5.)



Fig. 5: Magnifier Light Installation Zone

Manual Hydraulic Pumps with Handcrank

For units equipped with manual hydraulic pumps with handcrank (Fig. 8 - part #H0090-03), the handcrank can be folded to disappear under the table.

1. Crank table to the desired height.
2. Pull the crank outward (Fig. 7), then rotate downward through the table side panel slot to fold the handle under the table (Fig. 8).

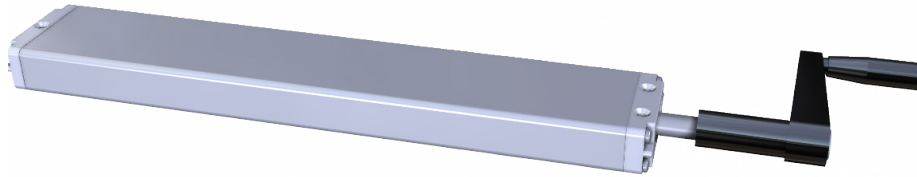


Fig. 6: Manual handcrank hydraulic pump (H0090-03)

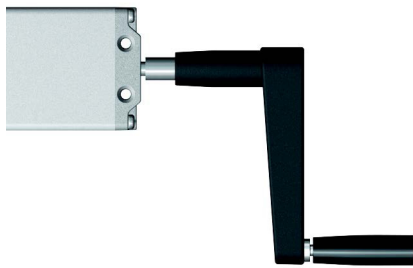


Fig. 7: Handle in extended position



Fig. 8: Handle in folded position

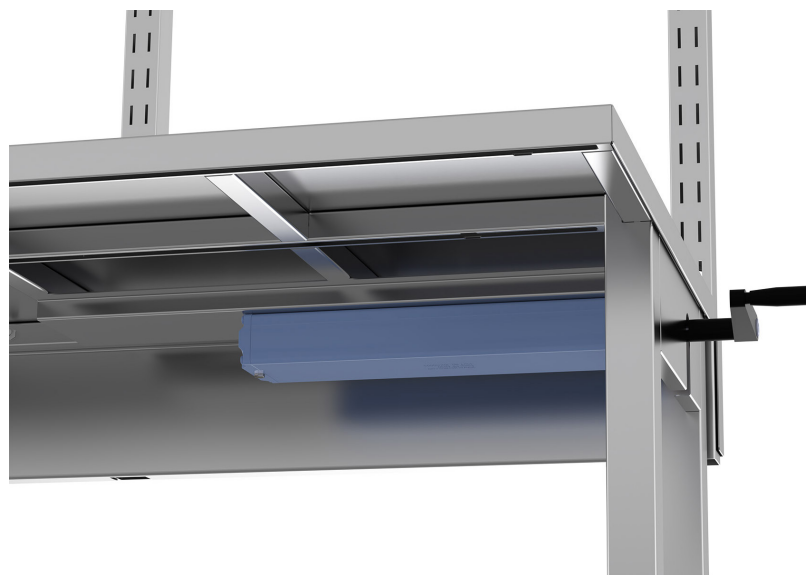


Fig. 9: Manual hydraulic pump on table (shown in blue)

Motorized Adjustable Height Prep and Pack Tables Control Panel Technical Data

The Control Panel feature is available for motorized adjustable height Prep and Pack Tables to operate its hydraulics.

Features	Electrical Specifications
4 Memory Positions	Primary Voltage 120V, 10A
Digital Display of the Height	Engine Voltage 24 VDC
Overload Protection	Nominal Rating Approximately 340 VA
Thermal Protection	Standby Power <0.6W
	Nominal Speed 180 min-1
	Protection Type IP 20

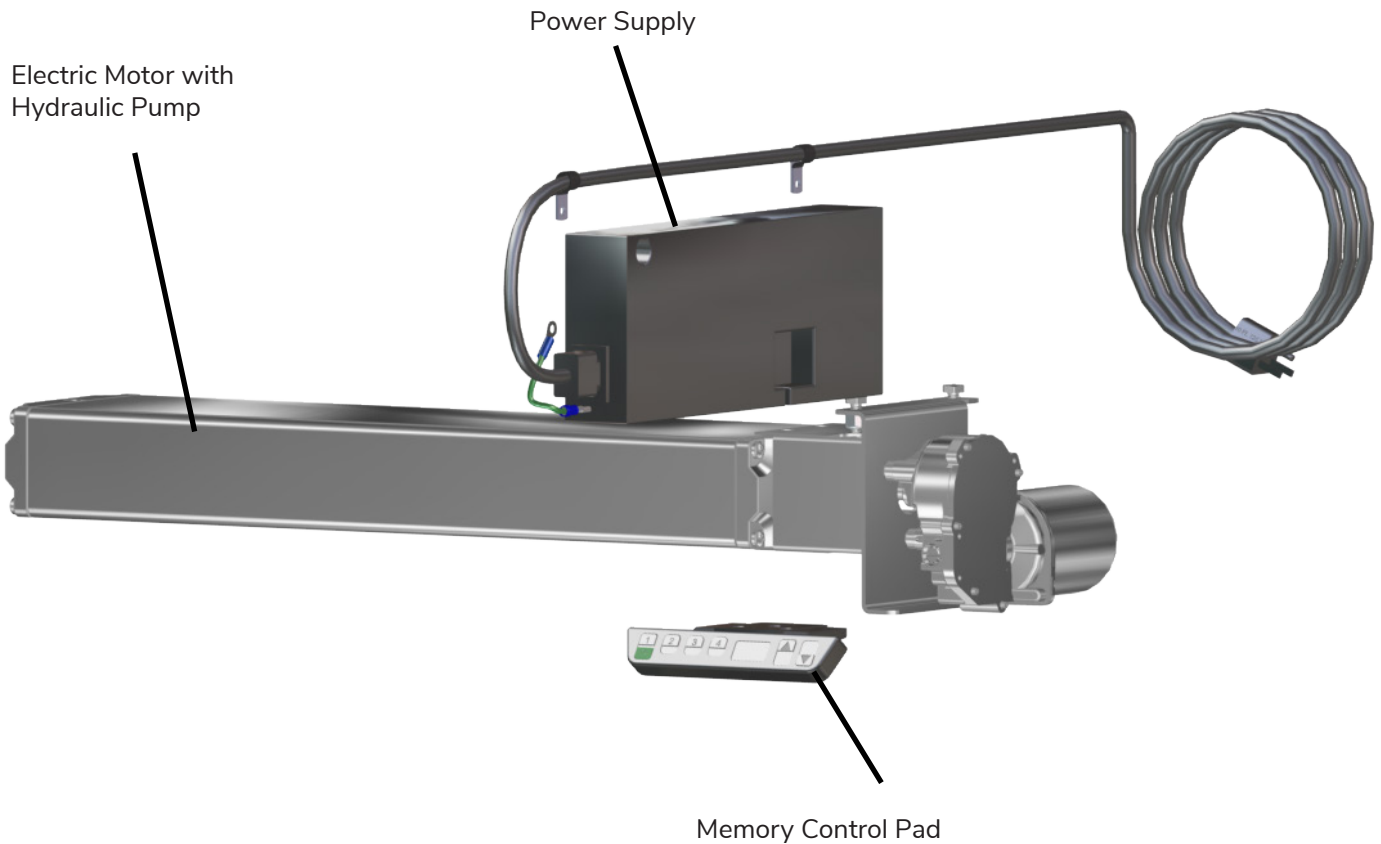


Fig. 10: Memory Control Pad, Power Unit, Electric Motor & Hydraulic Pump

Adjustable Height Prep and Pack Tables - Control Panel Setup and Operation

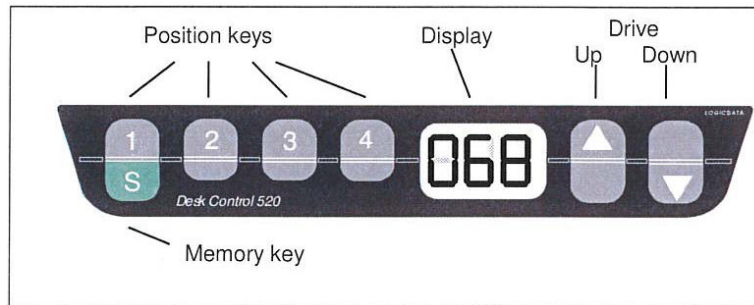


Fig. 11: Memory Control keypad

Note: US customers will see the values in the display in terms of US Inches. European customers will see display values in terms of EU Centimeters.

1. Operation up / down

- Press the “Down” arrow button or the “Up” arrow button until the desired height of the table has been reached.
- The display always shows the actual height in US Inches or EU Centimeters.
- The table moves as long as the key is pressed, or until the end position is reached.

2. Saving of a position

- This function allows the user to save a particular operating height on one of the four preset buttons.
- Press the “S” button (Display: “5 –”).
- Press one of the following buttons: “1”, “2”, “3”, or “4”.
- After having pressed one of the position buttons listed above, an “S” and one of the position buttons is read on the display (i.e. “S3”).
- At the end of the memory procedure, a double “Click” is heard and after 2 seconds the actual height is read on the display (i.e. “073”).
- If there is a power failure or the unit is unplugged, the programmed presets are retained (up to 24 hours).

Adjustable Height Prep and Pack Table - Control Panel Setup and Operation (continued)

3. Reset of the Control Unit

- a. Press and hold down the “1” and “2” buttons and the “Up” arrow at the same time until it flashes “S5”. The memory control pad is now in adjustment mode.
- b. Release the “1” and “2” buttons and the “Up” arrow, and then press the Up arrow until the display reads “S7”.
- c. Press the “S” button.
- d. The memory control pad will display a number.
- e. If the Prep and Pack Table is not in its lowest position, press and hold the “down” arrow button to lower the Prep and Pack Table.
- f. Once the Prep and Pack Table is in the lowest position, press the “2” button until the display says “000.”
- g. Press the “S” button.
- h. Press the “Up” arrow button until the Prep and Pack Table is in the highest position.
- i. Press the “1” button until the display says “135.”
- j. Press the “S” button.
- k. The Prep and Pack Table is now operational.


4. Setting of Indicated Height

- a. Press the “S” button. Display will read “5 –”.
- b. If the key is not pressed within 5 seconds, the control returns to standard mode again.
- c. Press the “Down” arrow button now for about 5 seconds until the display starts flashing. (Example: display flashes: “073”).
- d. The height can also be set with the “Up” (plus) or with the “Down” (minus) arrow buttons. During this procedure the table does not move.
- e. If the position is correctly set, the new height can be saved by pressing the “S” button.
 - The position is saved and the display stops flashing.
 - The new height is also saved. If no button is pressed within 5 seconds, the display stops flashing automatically.

Replacing the Memory Control Pad - H0090-PBD-110

Removing the Existing Memory Control Pad

If the Memory Control Pad must be replaced (due to damage), first remove the existing Memory Control Pad:

3.  **UNPLUG THE TABLE FROM ITS POWER SOURCE.**
4. Unplug the old Memory Control Pad cord from the Power Supply Unit (Cut zip ties as needed).
5. Remove two bolts attaching the entire memory control pad assembly (Fig. 12).
6. Remove three bolts and nuts from controller bracket mount (Fig. 13).
7. Remove the old Memory Control Pad.

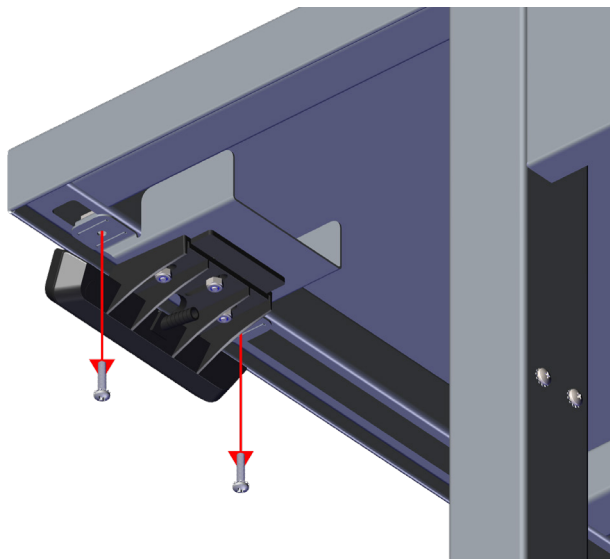


Fig. 12: Remove Old Memory Control Assembly

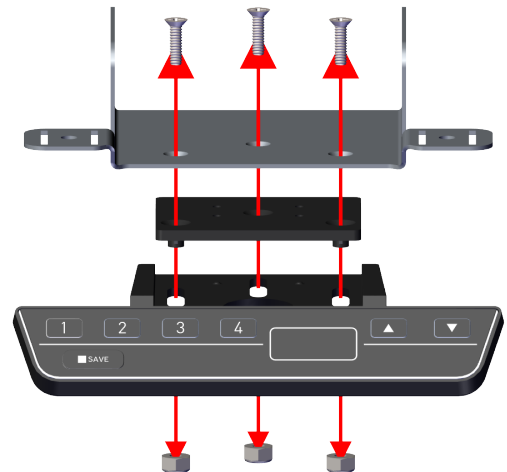


Fig. 13: Remove Memory Control Pad from bracket

Installing the Replacement Memory Control Pad

1. Position the replacement Memory Control Pad on the mounting plate. Align the three holes in the control panel with holes in mounting plate and reinstall bolts and nuts (Fig.14).
2. Insert two bolts into the holes of the mounting bracket assembly and reattach to table (Fig. 15).

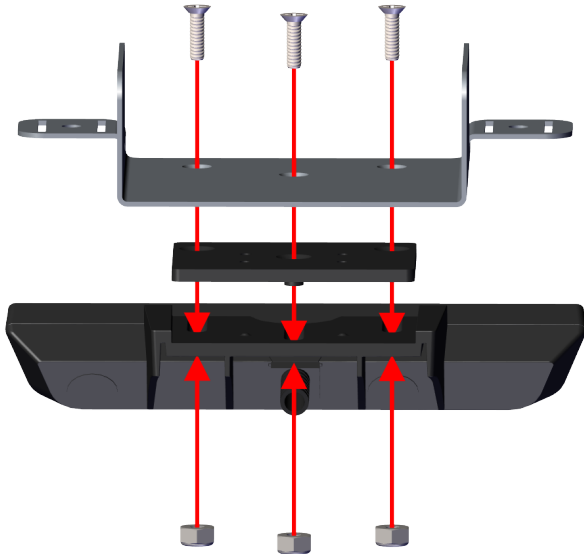


Fig. 14: Mount new memory control pad to bracket.

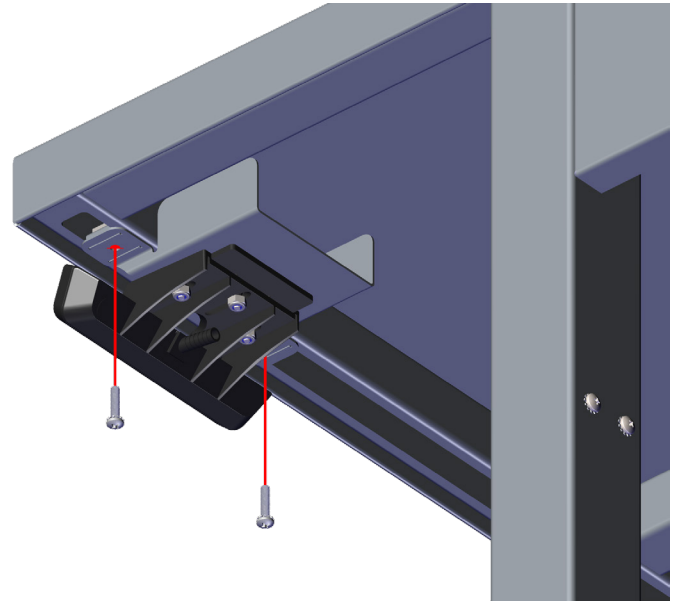


Fig. 15: Reinstall memory control pad assembly

3. Plug the control pad cable into the the same round receptacle of the table Power Supply Unit (Fig. 16).
4. Plug the table cord back into its power source.
5. If needed, program the Replacement Memory Control Pad as shown on page 15.

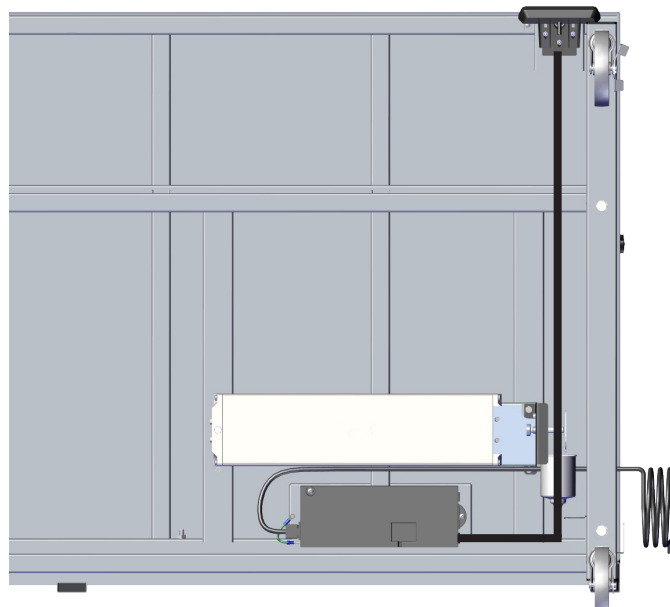
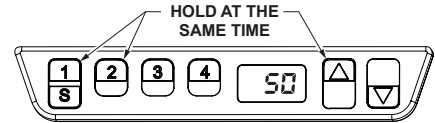


Fig. 16:

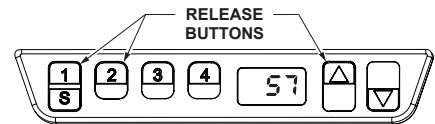
Programming the Replacement Memory Control Pad

If needed, program the new Memory Control Pad.

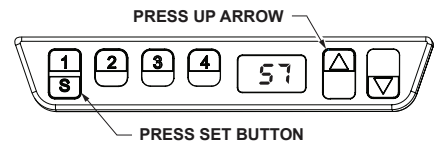
1. Press and hold down the “1” and “2” buttons and the “Up” Arrow at the same time until it flashes “S5”. The Memory Control Pad is now in adjustment mode.



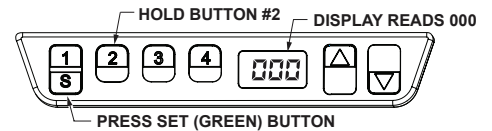
2. Release the “1” and “2” buttons and the “UP” arrow, and then press the “Up” arrow until the display reads “S7”.



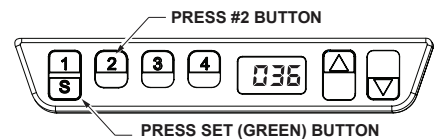
3. Press the “S” button.
4. The memory control pad will display a number.



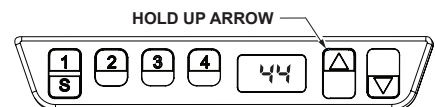
5. If the Prep and Pack Table is not in its lowest position, press and hold the “Down” arrow button to lower the Prep and Pack Table.



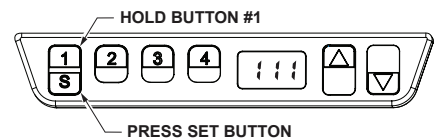
6. Once the Prep and Pack Table is in the lowest position, press the “2” button until the display says “000.”
7. Press the “S” button.



8. Press the “Up” Arrow button until the Prep and Pack Table is in the highest position.



9. Press the “1” button until the display reads “135.”
10. Press the “S” button.
11. The Prep and Pack Table is now operational.



Casters and Wheels - Care and Maintenance

Users of the Prep and Pack Tables are responsible for the proper care, use and maintenance of the equipment. The tables can become damaged and unsafe if used improperly.

- Never overload the tables.
- Do not drop heavy loads on the tables.
- Do not move the tables at high speeds.

Using the tables in any of the above conditions can result in failure of the Casters, Wheels or other parts of the equipment.

Periodically inspect the bottom of the tables and look for any of the following issues –

- Broken welds
- Loose nuts or bolts. These should be tightened.
- Frame distortion. This could be caused by an overloaded table, or by impacts with other objects while the table was being moved.

Casters:

- Make sure the Casters are in good condition. For Swivel Casters, if the caster has excessive play due to wear, it may need to be replaced. If it does not turn freely, corrosion or dirt may also make it necessary to replace it.



Wheels:

- Wheels should be checked for visible tread wear. Flat spots due to accumulation of material, such as string or thread, can cause the wheel to bind.
- Rubber tires can be badly worn, which can make it hard to steer the cart and can damage the floor. Replacement wheels and casters should be kept on hand to keep equipment in working order.

Instructions for Cleaning Stainless Steel Tables

Stainless Steel Tables must be cleaned on a regular basis to prevent any unnecessary damage to the stainless steel surfaces.

When cleaning stainless steel tables, make sure to use the proper approved cleaning agents and cleaning materials.

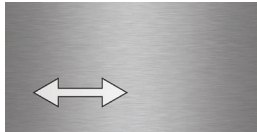
 CAUTION DO NOT USE these Cleaning Materials	 CAUTION DO NOT USE these Cleaning Agents
Abrasive Pads	Hard Water (water with a pH reading above 7.0)
Scrapers	Hydrochloric Acid
Steel Wool	Steam or high pressure water
Wire Brushes	Bleach or any compounds containing chlorine or Sodium hypochlorate, or ammonium chloride salts

Approved cleaning materials and agents

- Soft, clean lint-free cloth
- Non-abrasive cleaning pads
- Soft bristle brush
- Mild detergents
- Sodium Bicarbonate (baking soda)
- Distilled water (pH rating 7) alone or with a mild detergent
- White vinegar (in a spray bottle)
- Isopropyl Alcohol
- Hospital-grade non-bleach disinfectants
- Cleaners approved for use on stainless steel

Cleaning Stainless Steel Surfaces

1. Using a damp, lint-free cloth and approved cleaner, wipe down the entire exterior surface of the stainless steel table. Using a damp, lint-free cloth with distilled water and a mild detergent, wipe down the entire exterior surface of the stainless steel table.
2. Wipe the steel surface along the direction of its grain as shown below.



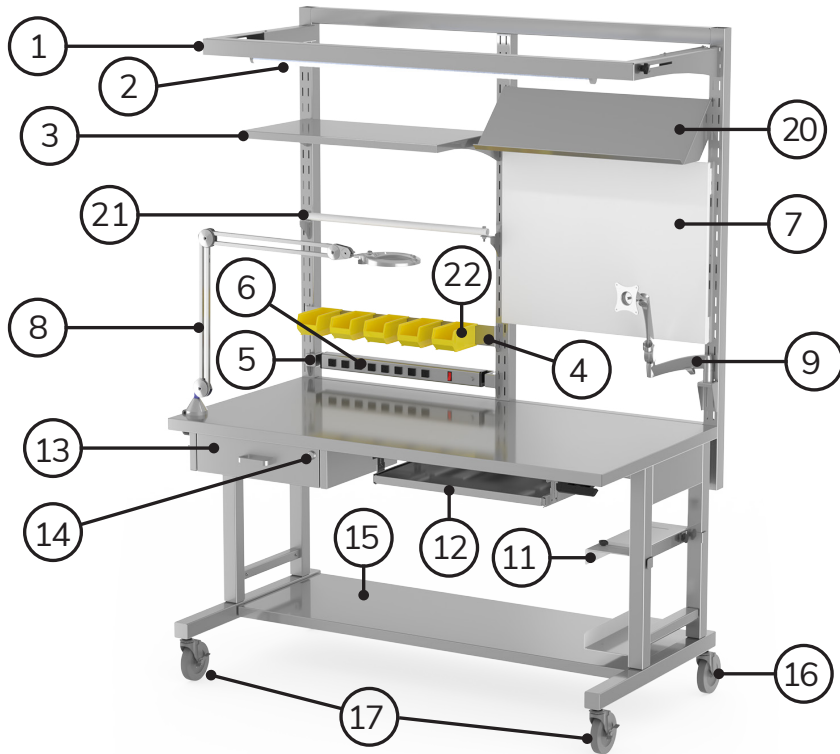
3. Let the cleaned table air dry.

Cleaning Decals or Printed Labels

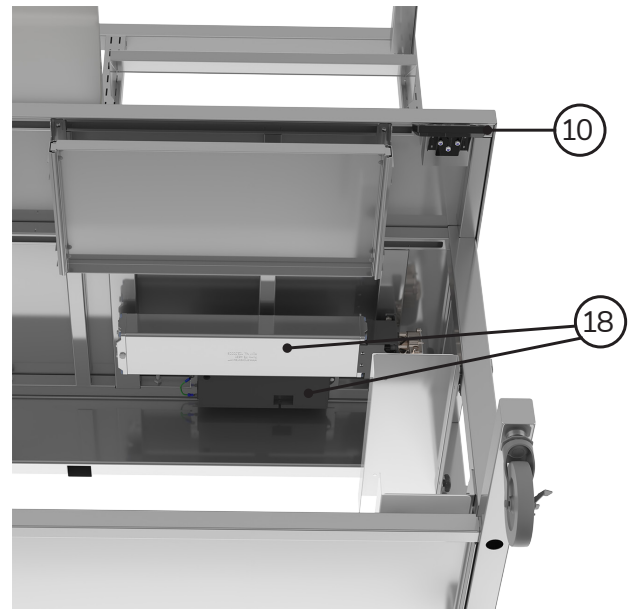
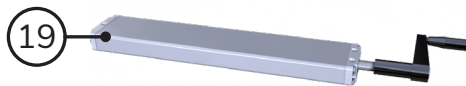
- Use only distilled water and a mild detergent applied with a clean, dry lint-free cloth to clean decals or printed labels.
- Cleaning agents can remove or smear any printing from decals and print labels.
- Cleaning agents can damage plastic materials used in manufacturing covers for electronic items such as touch-screen pads.

Replacement Parts/Accessories - General

The Prep and Pack Table replacement parts listed on this page have been identified by MAC Medical as serviceable by facility personnel and are available for purchase. To obtain MAC Medical certified parts and authorized services, contact your MAC Medical representative.



Components - Front view



Components - Underside view

Replacement Parts/Accessories Table

Item ID	Part #	Description
1	TWS-OLT-60	Optional Overhead Light Bar and Tube Light Kit - 60" Table
1	TWS-OLT-72	Optional Overhead Light Bar and Tube Light Kit- 72" Table
2	H0502-10	Optional 48" LED Integrated Tube Light Fixture
3	TWS-SH-60-B	Optional 15" D Adjustable Shelf- 60" Table
3	TWS-SH-72-B	Optional 15"D Adjustable Shelf- 72" Table
4	TWS-BR60-B	Optional Bin Rail- 60" Table
4	TWS-BR72-B	Optional Bin Rail- 72" Table
5	T0403-57-07	Optional Power Strip Hang Bar
6	TWS-OSB60-B	Optional Power Strip Assembly (Outlet Strip/ 6 ft. cord)- 60" Table
6	TWS-OSB72-B	Optional Power Strip Assembly (Outlet Strip/ 6 ft. cord)- 72" Table
7	TWS-WB-60	Optional Magnetic Dry Erase Board, 24" x 20" - 60" Table
7	TWS-WB-72	Optional Magnetic Dry Erase Board, 24" x 36" - 72" Table
8	H0509-03	Optional Articulating Light with Magnifier
9	TWS-H0501-BF	Optional Monitor Mount Assembly
10	H0900-PDB-110	Optional Memory Control Pad
11	TWS-CPU-BKT-3060	Optional CPU Holder - 30"D Table
11	TWS-CPU-BKT-36	Optional CPU Holder - 36"D Table
12	TWS-KT2225	Optional Pull-out Keyboard Tray
13	TWS-DWR	Optional Drawer Assembly/ 1 Drawer/ 15" W x 14" D x 3.5" H
13	TWS-DWR-DBL	Optional Drawer Assembly/ 2 Drawer/ 15" W x 14" D x 3.5" H (Stacked)
14	H0141	Optional Drawer lock
15	TWS-LS3060-B	Optional Lower Shelf- 30" D X 60"
15	TWS-LS3072-B	Optional Lower Shelf- 30" D x 72"
15	TWS-LS3660-B	Optional Lower Shelf- 36" D x 60"
15	TWS-LS3672-B	Optional Lower Shelf- 36" D x 72"
16	T0008-C	Optional 4" Swivel Caster
17	T0008-C-L	Optional 4" Locking Swivel Caster
18	H0090-05	Electric Motor/ Hydraulic Pump/ Power Supply
19	H0090-03	Manual Handcrank Hydraulic Pump
20	TWS-ASH-60	Optional Angled Adjustable Shelf- 60" Table
20	TWS-ASH-72	Optional Angled Adjustable Shelf- 72" Table
21	TWS-RH60-B	Optional Spool Holder- 60" Table
21	TWS-RH72-B	Optional Spool Holder- 72" Table
22	H0509-01	Optional Plastic Storage Bin/ 4-1/8" W x 7-3/8" D x 3" H
XX	H0508-02	Optional Plastic Storage Bin/ 5-1/2" W x 10-7/8" D x 5" H (Not pictured)
XX	XXXXX	Optional Peg Board Back/ Will vary on size (call for Inquiry) (Not pictured)

Limited Lifetime Warranty

MAC Medical warrants to the original purchaser that its Proprietary Products will be free from defects in workmanship or materials under normal use and service for the life of the product, so long as owned by the original purchaser, according to the limitations set forth below.



Defective products shall be repaired or replaced at MAC Medical's option at no cost to the original purchaser provided:

1. The customer must obtain a written return authorization supplied by MAC Medical's customer service department. The product must be returned, properly packaged, with a copy of the original sales receipt and copy of the RMA authorization.
Please call (877) 828-9975 or (618) 476-3550 to receive a return authorization.
2. The customer must pre-pay freight charges to and from MAC Medical and must ship merchandise properly packaged, in a way the product will not be damaged during transit to the factory.
MAC Medical does not warranty any freight damage to or from the factory. It is the customer's responsibility to inspect the product for packaging damage before signing the BOL.

This warranty does not apply to products, which have been subject to abuse, misuse, accident, modification, alteration, tampering, negligence, lack of routine maintenance or misapplication; or products that have been repaired by other than MAC Medical or its authorized representatives.

This warranty does not apply to glass, fabrics, vinyl, seat coverings, cushions, padding or their stitching, gluing or installation. Component parts not manufactured by MAC Medical, such as casters, caster inserts, any components made from rubber or plastic, circuit boards, fan heaters, plumbing parts, electrical switches and other components are also excluded. For these component parts, MAC Medical will pass on the original manufacturer's warranty to MAC Medical equipment original purchasers. Please consult factory for questions regarding the warranties of these component parts. This warranty does not apply to custom fabricated products. Consult factory.

UNLESS EXPRESSLY SET FORTH IN THIS WARRANTY, THERE ARE NO OTHER WARRANTIES, WHETHER EXPRESS OR IMPLIED, OF FITNESS AND/OR MERCHANTABILITY OR ANY OTHER WARRANTY IMPLIED BY CUSTOM, USAGE OR COURSE OF DEALING.

Liability of MAC Medical under this warranty is limited to the repair and/or replacement of any products. MAC Medical specifically excludes and disclaims any responsibility for any incidental or consequential damages claimed to have arisen from any defect in workmanship or materials. No representative has any authority to change or enlarge the above warranty or MAC Medical liability. This document supersedes all previous warranty provisions.

ACART

1416 Bonhill Rd. Mississauga, ON L5T 1L3

WWW.ACART.CA ~ INFO@ACART.CA ~ 1-800-551-0560

© 2023 Acart Equipment