

# ACART



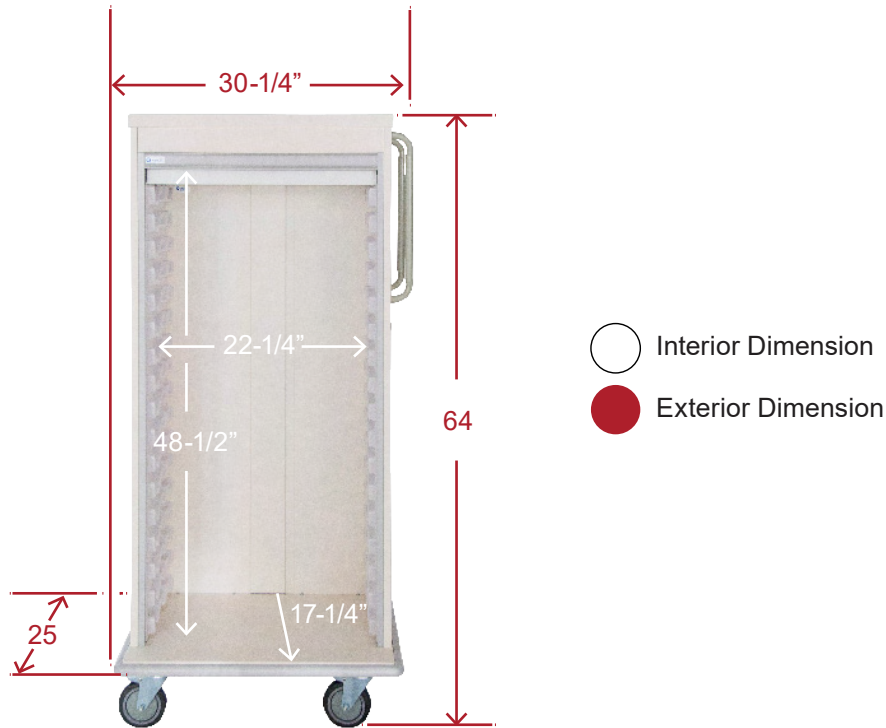
Specification Guide

## **Carts with LogiCell System**



## Table of Contents

|                                      |    |
|--------------------------------------|----|
| Single Width Base                    | 3  |
| Double Width Base with One Column    | 4  |
| Double Width Base with Two Columns   | 5  |
| Triple Width Base with Three Columns | 6  |
| Triple Width Base with Two Columns   | 7  |
| Stainless Steel Carts                | 8  |
| Tables                               | 9  |
| Materials                            | 10 |



## Single Width Base

### DESCRIPTION

This "3/4" cart is sized to fit one standard sized column of cell system accessories.

### DIMENSIONS

**OUTER DIMENSIONS:** 25"d x 30"w (including bumpers and handles)

**INNER DIMENSIONS:** 17.25"d (rear wall to inside of tambour door) x 22.25"w (between the cell panels).

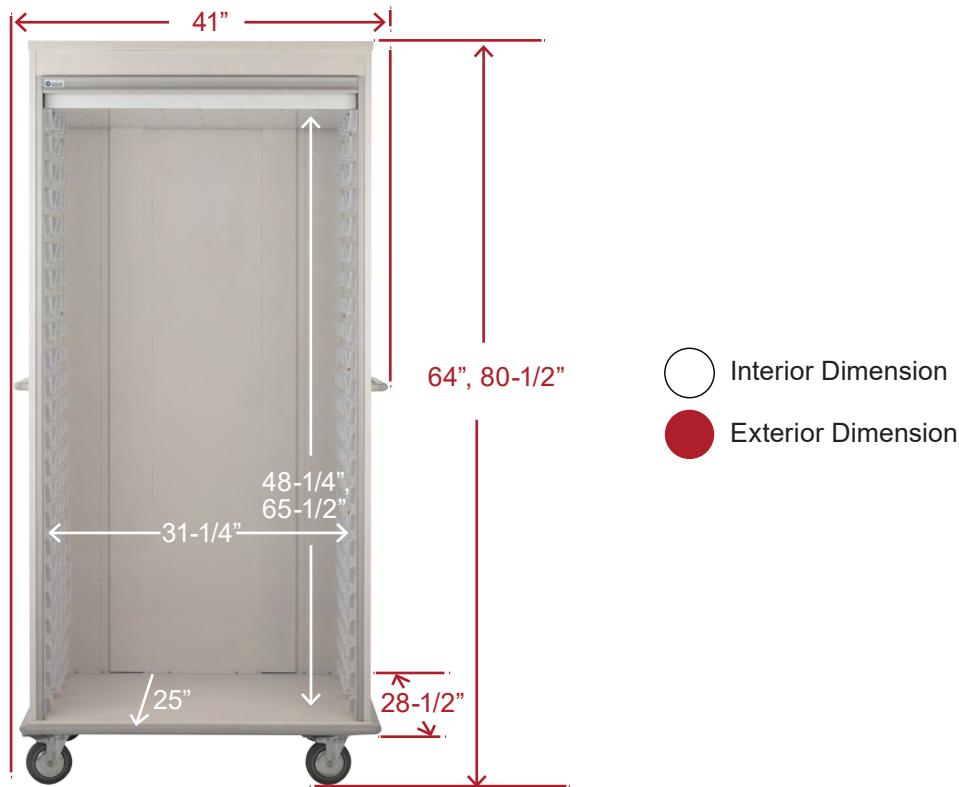
### NOTES

Key lock is standard. Includes two vertical handles on the right side. Handles protrude 2.25".  
The metal ceiling is pre-set to hold up to 5 cath slides.

| MODEL # | EXTERIOR HEIGHT (inches) | INTERIOR HEIGHT (inches) | DOOR    | DESCRIPTION (for accessories) |
|---------|--------------------------|--------------------------|---------|-------------------------------|
| 26517   | 64                       | 48.25                    | Tambour | 16 slots                      |

## OPTIONS AND ACCESSORIES

- For keyless lock: on glass door order 2650ELG, on tambour door order 2650ELT
- Accepts accessories for 24"w column
- Sloped tops are not available for single-base models



## Double Width Base with One Column

### DESCRIPTION

These carts are sized to fit one column of wide cell system accessories.

### DIMENSIONS

**OUTER DIMENSIONS:** 28.25"d x 41"w (including handles).

**INNER DIMENSIONS:** 25"d x 31.25"w between the cell panels.

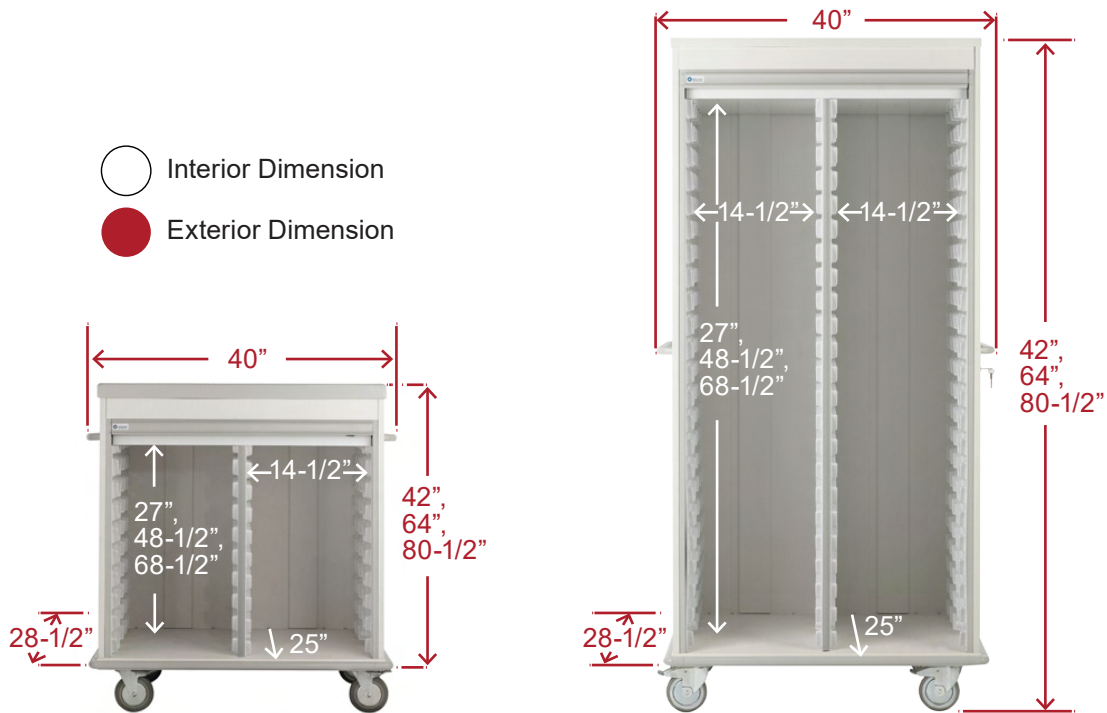
### NOTES

The metal ceiling is pre-set to hold up to 7 cath slides in units with tambour doors, 6 slides in units with hinged doors. For hinged door on 80"h model, door has 3 hinges. Door is 68.25"h x 17"w x 0.75"d (glass portion is 11.75"w x 63"h). Tambour door has a handle located at 39"h to ease opening. 18"w horizontal handles protrude 2.25". Located on each end at 43.5"h. With hinged doors, 70.5" wide with both doors open, 53.5" with one door open.

| MODEL # | EXTERIOR HEIGHT (inches) | INTERIOR HEIGHT (inches) | DOOR         | DESCRIPTION (for accessories)                         |
|---------|--------------------------|--------------------------|--------------|---|
| 265217  | 64                       | 48.5                     | Tambour      | 16 slots  |
| 2651    | 80.5                     | 65.25                    | Tambour      | 22 slots  |
| 2651SH  | 80.5                     | 65.25                    | Tambour      | 22 slots, includes 5 metal shelves, 20 shelf dividers |
| 2651HG  | 80.5                     | 65.25                    | Hinged glass | 22 slots  |

### OPTIONS AND ACCESSORIES

- For keyless lock: on glass door order 2651ELG, on tambour door order 2650ELT
- Accepts accessories for 33"w column; shelves and lockable drawers only, no trays or baskets
- Sloped tops: order tent style 2650-T, or single slope 2650ST



## Double Width Base with Two Columns

### DESCRIPTION

These carts are sized to fit two columns of standard sized cell system accessories.

### DIMENSIONS

**OUTER DIMENSIONS:** 28.25”d x 40”w.

**INNER DIMENSIONS:** 25”d x 32”w. Each column is 14.5” between the cell panels.

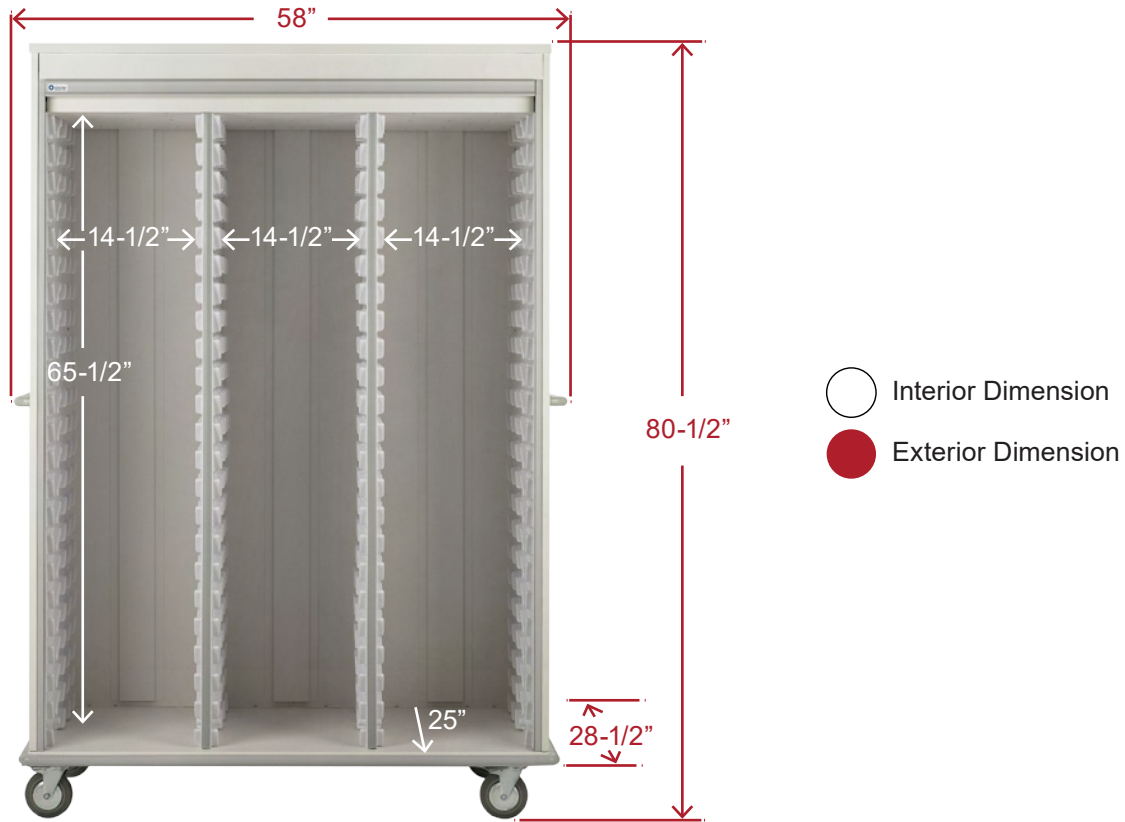
### NOTES

The metal ceiling of a tall and 0.75 size cart is pre-set to hold up to 3 cath slides per column. Hinged door on 80”h model has 3 hinges and is 68.25”h x 17”w x 0.75”d (glass portion is 11.75”w x 63”h). Tambour door has a handle located at 39”h for ease of opening. With hinged doors, 70.5”w with both doors open, 53.5” with one door open. 18”w horizontal handles protrude 2.25”. Located on each end at 43.5”h on 64”h and 80”h cart, and 36”h on 42”h cart.

| MODEL # | EXTERIOR HEIGHT (inches) | INTERIOR HEIGHT (inches) | DOOR         | DESCRIPTION (for accessories) |
|---------|--------------------------|--------------------------|--------------|-------------------------------|
| 26525   | 42                       | 27                       | Tambour      | 9 slots / column, 2 columns   |
| 26525HG | 42                       | 27                       | Hinged glass | 9 slots / column, 2 columns   |
| 26527   | 64                       | 48.5                     | Tambour      | 16 slots / column, 2 columns  |
| 26527HG | 64                       | 48.5                     | Hinged glass | 16 slots / column, 2 columns  |
| 2652    | 80.5                     | 65.25                    | Tambour      | 22 slots / column, 2 columns  |
| 2652HG  | 80.5                     | 65.25                    | Hinged glass | 22 slots / column, 2 columns  |

### OPTIONS AND ACCESSORIES

- For keyless lock: on glass door order 2650ELG, on tambour door order 2650ELT
- Accepts accessories for 16”w column
- Sloped tops: order tent style 2650-T, or single slope 2650ST



## Triple Width Base with Three Columns

### DESCRIPTION

These carts are sized to fit standard cell system accessories in its three columns.

### DIMENSIONS

**OUTER DIMENSIONS:** 80.5”h x 28.25”d x 58”w (including handles).

**INNER DIMENSIONS:** 65.25”h x 25”d. Each column is 14.5” between cell panels.

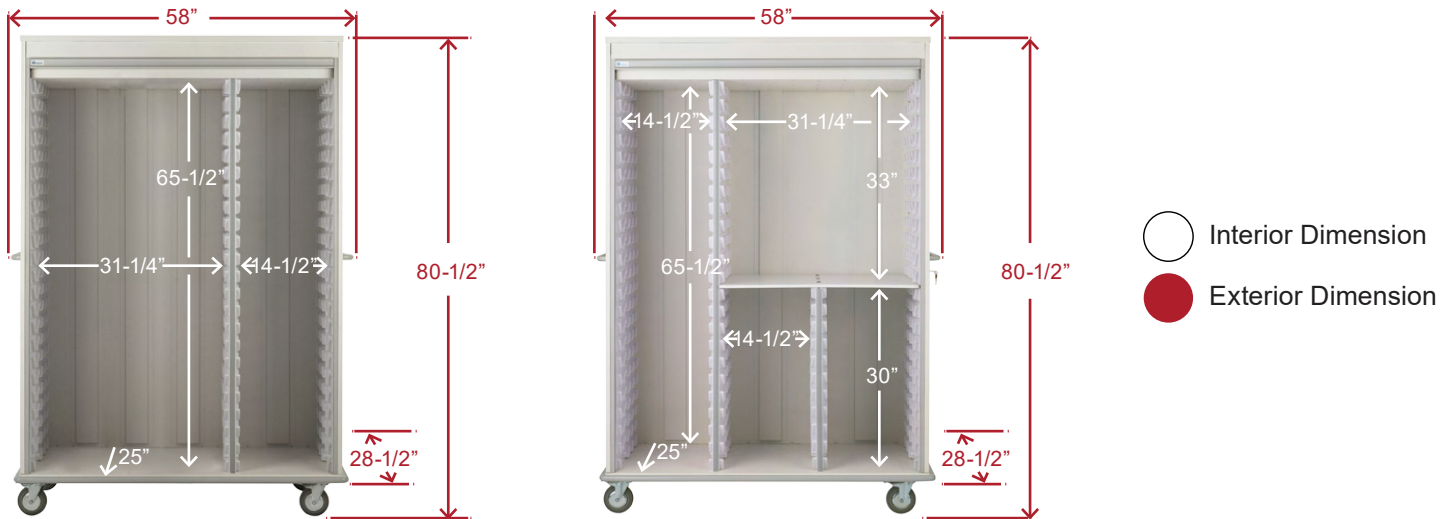
### NOTES

The metal ceiling is pre-set to hold up to 3 cath slides in a column. 18”w horizontal handles protrude 2.25”. Located on each end at 43.5”h on 80”h cart. For model with hinged door, 87.5”w with both doors open, 70.25” with one door open. Hinged door has 3 hinges, and is 68.25”h x 17”w x 0.75”d (glass portion is 11.75”w x 63”h). The three hinged doors are secured by using two locks (one lock controlling two doors). Tambour door handle located at 39”h.

| MODEL # | DOOR         | DESCRIPTION<br>(for accessories) |
|---------|--------------|----------------------------------|
| 2653    | Tambour      | 22 slots / column, 3 columns     |
| 2653HG  | Hinged glass | 22 slots / column, 3 columns     |

### OPTIONS AND ACCESSORIES

- For keyless lock: on glass door order 2650ELG, on tambour door order 2650ELT
- Accepts accessories for 16”w column
- Sloped tops: order 2353-ST



### Triple Width Base with Two Columns

#### DESCRIPTION

These carts are sized to fit standard cell system accessories in the small column, and accept wide accessories in the large column.

#### DIMENSIONS

**OUTER DIMENSIONS:** 80.5”h x 28.25”d x 58”w (including handles).

**INNER DIMENSIONS:** 65.25”h x 25”d.

The narrow column is 14.5” between the cell panels. The wide column is 31.25” between the cell panels. The two columns in the segmented BS model are 14.5”w between the cell panels.

#### NOTES

Hybrid BS models segment the wide column with two columns of 10 slots in each in the bottom half, and 11 wide slots in the upper half. The metal ceiling is pre-set to hold up to 3 cath slides in the standard column; the wide column accepts 7 cath slides in the unit with a tambour door, 6 slides in the unit with hinged door. Hinged door has 3 hinges, and in 68.25”h x 17”w x 0.75”d (glass portion is 11.75”w x 63”h). The three hinged doors are secured by using two locks (one lock controlling two doors). Tambour door has a handle located at 39”h. For models with hinged door, 87.5” wide with both doors open, 70.25” with one door open. Horizontal handle, 18”w, located on each end at 43.5”. Handles protrude 2.25”.

Note: if adding hinged glass doors, unit accommodates 1 less cath slide.

| MODEL #    | DOOR         | DESCRIPTION<br>(for accessories)  |
|------------|--------------|---|
| 2653LC     | Tambour      | 22 slots per columns, small column on the left side                                       |
| 2653RC     | Tambour      | 22 slots per columns, small column on the right side                                      |
| 2653LCBS   | Tambour      | Small column on the left side with 22 slots, right side contains hybrid slots arrangement |
| 2653LCHG   | Hinged glass | 22 slots per columns, small column on the left side                                       |
| 2653LCBSHG | Hinged glass | Small column on the left side with 22 slots, right side contains hybrid slots arrangement |

#### OPTIONS AND ACCESSORIES

- For keyless lock: on glass door order 2651ELG, on tambour door order 2650ELT
- Accepts accessories for 16”w and 33”w column. (A 33” column only accepts shelves and lockable drawers, no trays or baskets.)
- Sloped tops: order 2653-ST



## Stainless Steel Carts

### DESCRIPTION

The interior of these carts contains cell panels that accept Acart accessories, which are protected by glass doors.

### DIMENSIONS

Each column is 14.5" between the cell panels.

### NOTES

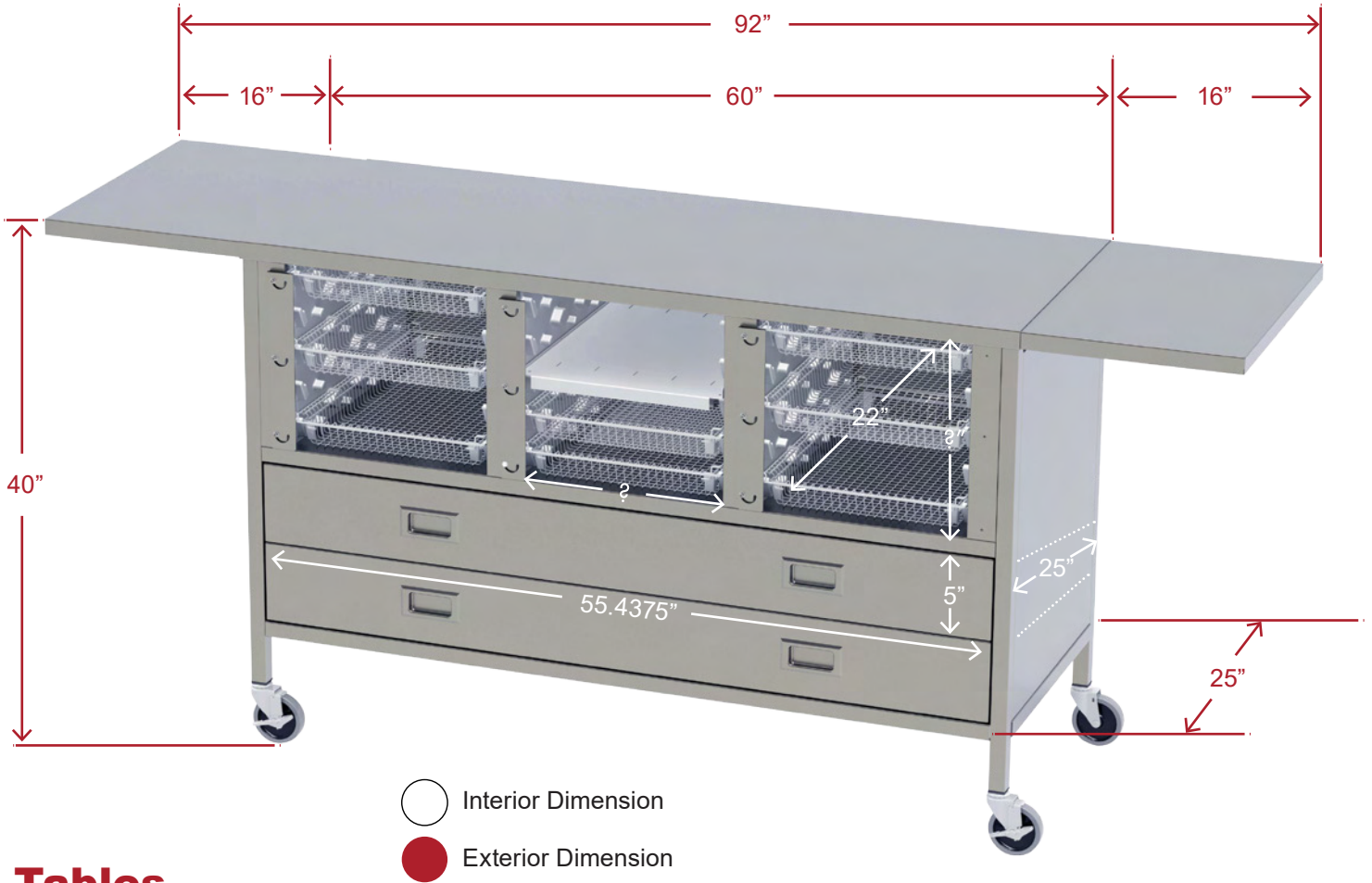
Top is flat. Key lock is optional. Bumper adds 4.36" to the width of a cart (which has extremely mounted handles) & 2" to the depth. Doors are kept closed using two spring loaded rollers mounted to the back side of each door (1 above & 1 below the handle) that engages on a ramp inside the cabinet.

| MODEL #     | OUTER DIMENSIONS<br>(D x W x H inches) | DOOR         | DESCRIPTION  |
|-------------|--|--------------|--|
| 22381SSLG   | 18.14 x 30.9 x 79                      | Left hinge   | Single column with 23 standard slots                                       |
| 22381SSRG   | 18.14 x 30.9 x 79                      | Right hinge  | Single column with 23 standard slots                                       |
| 24572SSHG   | 28 x 40.4 x 62                         | Double doors | 3/4 cart, double column with 32 slots                                      |
| 24581SSHG   | 28 x 40.4 x 78                         | Double doors | Single column with 23 wide slots   |
| 24582SSHG   | 28 x 40.4 x 78                         | Double doors | Double columns of 23 slots, 16"w each (total 46)                           |
| 24882RCSSHG | 26 x 53 x 78.8                         | Triple doors | Wide column on the left, standard column on the right. 23 slots per column |
| 24882LCSSHG | 26 x 53 x 78.8                         | Triple doors | Wide column on the right standard column on the right. 23 slots per column |
| 24883SSHG   | 26 x 53 x 78.8                         | Triple doors | triple columns of 23 slots each (total 69)                                 |

### OPTIONS AND ACCESSORIES

- LogiCell trays, baskets and shelves are sold separately
- Sloped tops: add "-ST" to product number. Adds 3" to cart





## Tables

### DESCRIPTION

These 60”w x 25”d x 40”w stainless steel mobile tables include two extensions to the main work surface, expanding the surface to 92”. The extensions nest on the side for storage. Below the work surface are three columns containing the Acart cell system and below the columns are two drawers the width of the three columns.

### NOTES

Each work surface extension adds 16” to the width. Extensions are employed by lifting slightly and pushing toward main surface. Each cell column has an interior space of 14”w x 22”d. The two locking drawers on full extension slides are 21.25”d x 55.4375”w x 5”h.

| MODEL #    | DESCRIPTION  |
|------------|--|
| LQPC2460DC | Three cell system components with 4 slots for optional baskets, tubs and shelves |

### OPTIONS AND ACCESSORIES

- For solid doors, add “-X3D” to part number
- For glass doors, add “-X3GD” to part number
- LogiCell trays, baskets and shelves are sold separately
- Drawer dividers are sold separately

## Materials

### PAINTED STEEL CARTS

- Units are 20-gauge steel powder coated white
- Sloped top is 20-gauge
- Cell panels are ABS plastic
- Tambour door is light gray plastic
- Glass door is 0.125" tempered glass with aluminum extrusion (3" x 0.75") frame with a brushed finish
- Hinges of glass door are heavy-duty 5-knuckle, brushed nickel finish
- Hinged door handle is 4" "D" shape
- Plate casters are 5"; two with brakes
- Handles are 16-gauge steel with gray finish
- Bumper around perimeter of carts is thermoplastic resin

### STAINLESS CARTS

- 16-gauge all welded type 304 stainless steel with #4 finish
- Mobile table has 16-gauge legs, 18-gauge top and shelf
- Cell panels are ABS
- The glass doors feature a 3" (76.22mm) frame around the 0.1875" (4.7625mm) thick tempered glass
- The trim around the glass is abrasion resistant SBR rubber
- Door hinges are 270° stainless steel lift off hinges mounted with #8 countersunk screws
- Door pull is 4" with satin finish
- Cart bumper is an extruded PVC profile held in place with a foamed stainless steel channel
- Sloped tops are 16ga 304 stainless steel
- Casters are 4"; two swivel with brakes in the front, two swivel in the back
- Doors are flush mount