

# TPR28 & FVMX

## Pressure & Temperature Relief Valves

High capacity pressure and temperature relief valves designed to provide protection against over pressurisation or extreme temperatures over 95°C which can occur within an unvented hot water system, if the input temperature or pressure controls fail. The valves are designed to be fitted to the upper portions of a hot water cylinder as this is where the hottest temperature within the system will be found. If the valve is opened it will lift off its seat and release the water to waste, thereby reducing the pressure or temperature within the cylinder. The larger FVMX valves are especially suited for commercial applications.



Product code	Size	Description
<b>TPR28</b>		
PTEM100050	1" MBSP x 28mm	7.0 bar
<b>FVMX</b>		
PTEM600001	¾" MBSP x ¾" FBSP	7.0 bar
PTEM600002	1" MBSP x 1" FBSP	7.0 bar
PTEM600003	1¼" MBSP x 1" FBSP	7.0 bar
PTEM600004	1½" MBSP x 1½" FBSP	7.0 bar
PTEM600005	2" MBSP x 2" FBSP	7.0 bar

**SAFETY  
VALVES  
ONLINE**

01482 601030

[www.safetyvalvesonline.com](http://www.safetyvalvesonline.com)

[sales@safetyvalvesonline.com](mailto:sales@safetyvalvesonline.com)



AN RWC BRAND  
**RWC**

# TPR28 & FVMX Pressure & Temperature Relief Valves

## Features and benefits

- Offer high capacity protection for domestic and commercial applications
- Protect against temperatures rising above 95°C
- Prevent over pressurisation
- Lever style easing mechanism
- Range of different connection sizes

## Specifications

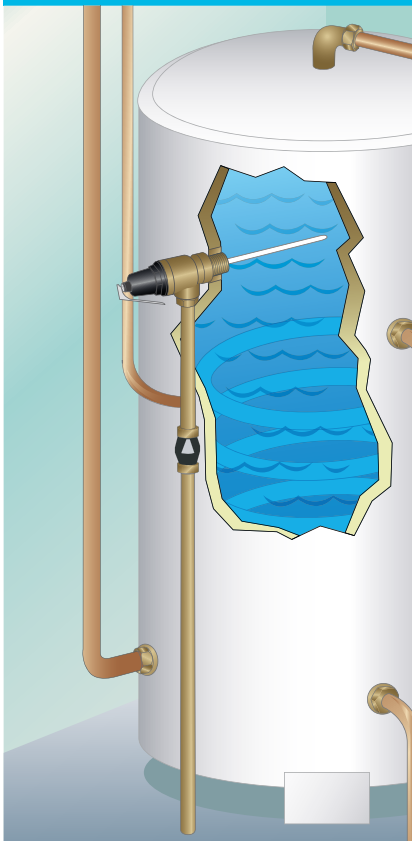
Pre-set pressure	7.0 bar
Maximum temperature	90-95°C
KW Rating	TPR28: 50kW
	FVMX ¾": 25kW
	FVMX 1": 50kW
	FVMX 1¼": 80kW
	FVMX 1½": 173kW
FVMX 2": 184kW	
Maximum ambient temperature	100°C

## Standards and approvals

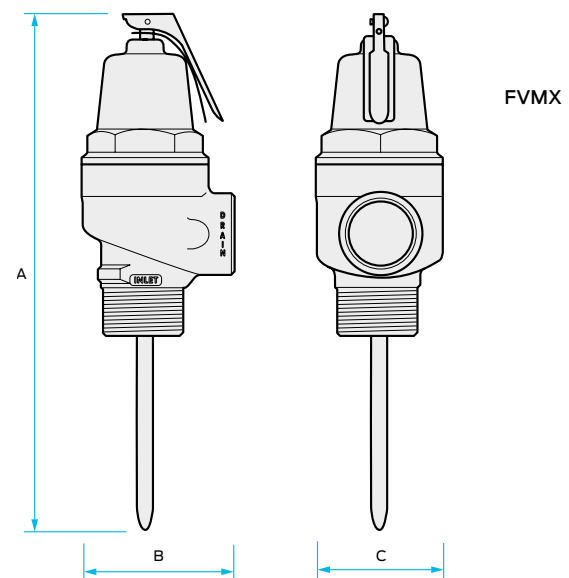
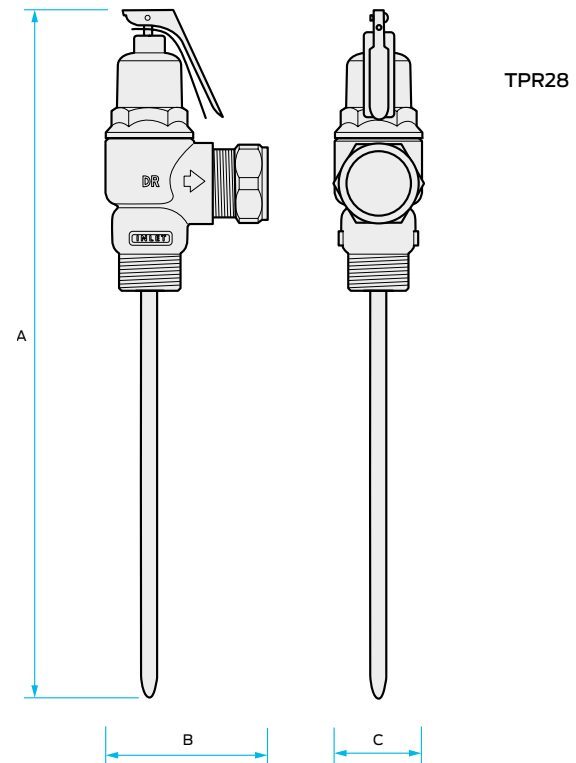
BS EN 1490

WRAS Approved

## Typical installation



## Dimensions – All measurements in mm unless otherwise stated



Product code	A	B	C
<b>TPR28</b>			
PTEM100050	345	85	50
<b>FVMX</b>			
PTEM600001	260	62	45
PTEM600002	260	59	45
PTEM600003	260	77	64
PTEM600004	295	100	79
PTEM600005	295	103	79