

# TPR15 & TPR22

## Pressure & Temperature Relief Valves

Compact pressure and temperature relief valves designed to provide protection against over pressurisation, which can occur within an unvented hot water system if the input temperature or pressure controls fail.

The valves are designed to be fitted to the upper portion of a hot water cylinder as this is where the hottest temperatures in the system will be found. If the system rises above 95°C, the wax mixture within the element of the temperature probe will expand, this will lift the valve off its seat and release water to waste, thereby reducing the pressure within the cylinder.

Also if the water pressure increases (without temperature increase) the valve will stay closed until the set pressure of the relief mechanism is reached, at which point the valve will again open and the excess pressure is relieved. Some models come complete with a PTFE coating on the MBSP inlet thread which can save valuable time on installation.

Product code	Size	Description
<b>TPR15</b>		
<i>Standard Probe</i>		
PTEM550852	½" MBSP x 15mm	7.0 bar
PTEM550853	½" MBSP x 15mm	10.0 bar with PTFE
PTEM550854	½" MBSP x 15mm	7.0 bar with PTFE
PTEM550856	½" MBSP x 15mm	4.5 bar with PTFE
PTEM550857	½" MBSP x 15mm	6.0 bar with PTFE
PTEM550954	15mm x 15mm	7.0 bar
<i>Short Probe</i>		
PTEM550870	½" MBSP x 15mm	7.0 bar
<i>Long Probe</i>		
PTEM550951	½" MBSP x 15mm	7.0 bar
PTEM550953	15mm x 15mm	7.0 bar
PTEM550955	½" MBSP x 15mm	10.0 bar
<b>TPR22</b>		
<i>Standard Probe</i>		
PTEM575200	¾" MBSP x 22mm	4.5 bar
PTEM575205	¾" MBSP x 22mm	7.0 bar
PTEM575210	¾" MBSP x 22mm	10.0 bar
<i>Short Probe</i>		
PTEM575870	¾" MBSP x 22mm	7.0 bar
<i>Long Probe</i>		
PTEM575250	¾" MBSP x 22mm	7.0 bar



# TPR15 & TPR22 Pressure & Temperature Relief Valves

### Features and benefits

- Protect against temperature rising beyond 95°C
- Prevent over pressurisation
- Twist top cartridge design for easy servicing
- Range of different pressure settings and different probe lengths available
- Complete with PTFE coating (some models)

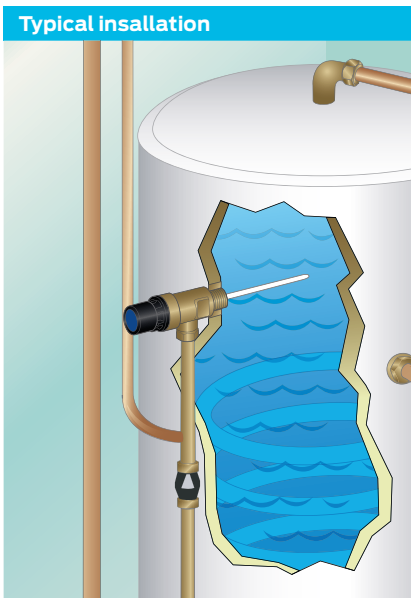
### Specifications

Temperature relief	90-95°C
Pressure relief tolerance	+/-5%
KW rating	TPR15: 10kW TPR22: 25kW
Maximum ambient temperature	100°C
Short probe length	30mm
Standard probe length	95mm
Long probe length	200mm

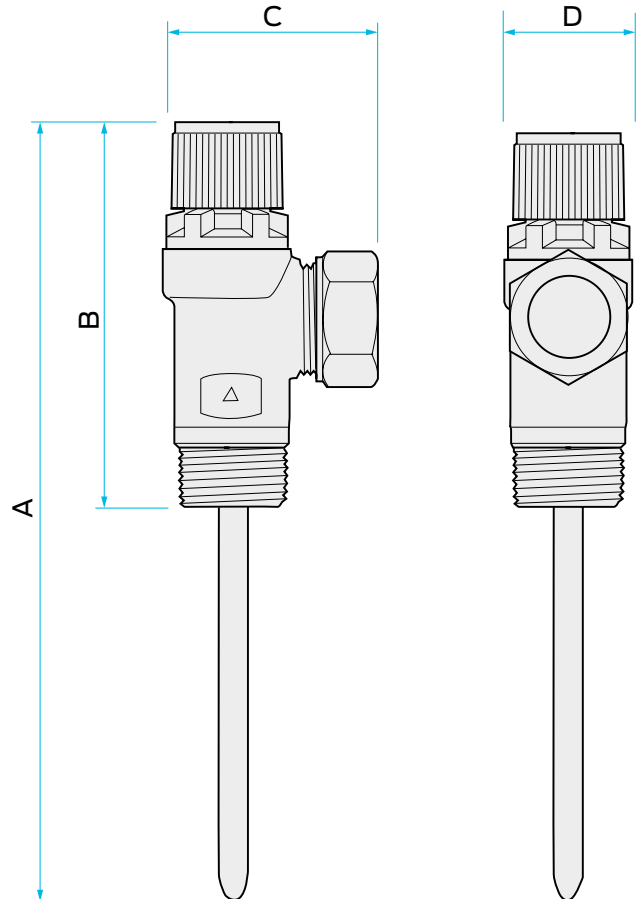
### Standards and approvals

- BS EN 1490
- WRAS Approved

### Typical installation



### Dimensions – All measurements in mm unless otherwise stated



Product code	A	B	C	D
PTEM550852	187	88	49	31
PTEM550853	187	88	49	31
PTEM550854	187	88	49	31
PTEM550856	187	88	49	31
PTEM550857	187	88	49	31
PTEM550954	187	88	49	31
PTEM550870	124	88	49	31
PTEM550951	291	88	49	31
PTEM550953	291	88	49	31
PTEM550955	291	88	49	31
PTEM575200	187	98	52	31
PTEM575205	187	98	52	31
PTEM575210	187	98	52	31
PTEM575870	124	98	52	31
PTEM575250	291	98	52	31