

104 Series High Capacity Potable Water Pressure Relief Valve

Discharges water off the system at a set pressure in the event of cold water over pressurisation to a unvented cylinder (high flow for larger capacity systems)

Overview

Reliance Valves 104 Series High Capacity Potable Water Pressure Relief Valve is a high capacity range of pressure relief valves designed to protect an unvented system from over pressurisation. The valves are Pre-set and locked to a particular pressure, and if the system exceeds this pressure the valve will lift off the seat and water will discharge from the valve to the waste.

The outlet connection is one size larger than the inlet to guarantee the valve will be able to cope with a high capacity discharge. This is the first safety device in line within an unvented system. The valves are available in different pressures ranging from 3.5 - 8 bar, as well as multiple connection sizes to allow for flexible installation.

Features & benefits

- High flow design for larger capacity systems
- Rapid removal of single piece cartridge for cleaning or replacement
- Diaphragm design gives improved resistance against scale
- Protects against over pressurisation
- Multiple connections for flexible installation
- Set relief pressure range from 3.5-8.0 bar
- Suitable for cold water use only



Product code	Pressure	Size
PREL104040	3.5 bar	1/2" x 3/4" F x FBSP
PREL104041	5.0 bar	1/2" x 3/4" F x FBSP
PREL104008	6.0 bar	1/2" x 3/4" F x FBSP
PREL104006	8.0 bar	1/2" x 3/4" F x FBSP
PREL104042	3.5 bar	3/4" x 1" F x FBSP
PREL104014	5.0 bar	3/4" x 1" F x FBSP
PREL104010	6.0 bar	3/4" x 1" F x FBSP
PREL104016	8.0 bar	3/4" x 1" F x FBSP
PREL104043	3.5 bar	1" x 1 1/4" F x FBSP
PREL104001	5.0 bar	1" x 1 1/4" F x FBSP
PREL104002	6.0 bar	1" x 1 1/4" F x FBSP
PREL104017	8.0 bar	1" x 1 1/4" F x FBSP

Spares & accessories

ZRC214031	3.5 bar	Replacement pressure relief valve cartridge
ZRC214048	5.0 bar	Replacement pressure relief valve cartridge
ZRC214004	6.0 bar	Replacement pressure relief valve cartridge
ZRC214009	8.0 bar	Replacement pressure relief valve cartridge

All with blue caps and suitable for both 1/2" and 3/4" valves

Product code	Pressure	Size
PREL104044	3.5 bar	1 1/4" x 1 1/2" F x FBSP
PREL104045	5.0 bar	1 1/4" x 1 1/2" F x FBSP
PREL104005	6.0 bar	1 1/4" x 1 1/2" F x FBSP
PREL104013	8.0 bar	1 1/4" x 1 1/2" F x FBSP
PREL104046	3.5 bar	1 1/2" x 2" F x FBSP
PREL104047	5.0 bar	1 1/2" x 2" F x FBSP
PREL104012	6.0 bar	1 1/2" x 2" F x FBSP
PREL104020	8.0 bar	1 1/2" x 2" F x FBSP
PREL104048	3.5 bar	2" x 2 1/4" F x FBSP
PREL104049	5.0 bar	2" x 2 1/4" F x FBSP
PREL104015	6.0 bar	2" x 2 1/4" F x FBSP
PREL104023	8.0 bar	2" x 2 1/2" F x FBSP

Standards & approvals

WRAS Approved

BS EN 1491

104 Series High Capacity Potable Water Pressure Relief Valve

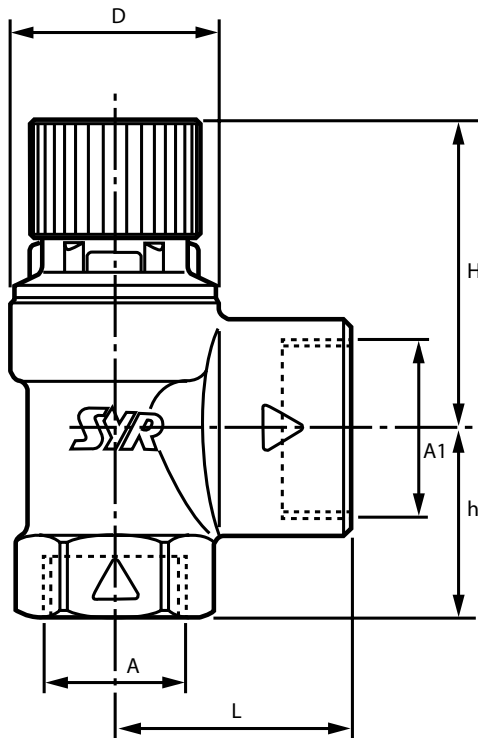
Materials

Body 1/2", 3/4" & 1"	DZR brass
Body 1 1/4"	Brass CZ121 nickel plated
Body 1 1/2" & 2"	Gun metal
Diaphragm	EDPM
Seal	EDPM
Spring	Stainless steel
Cap	High grade glass fibre reinforced plastic

Specifications

Body test pressure	20.0 bar
Maximum temperature	140°C max
Pre-set pressure range	3.5 - 8.0 bar

Dimensions – All measurements in mm unless otherwise



A	A1	H	h	L	D
1/2"	3/4"	46	28	35	31
3/4"	1"	48	34	38	31
1"	1 1/4"	79	40	47	49
1 1/4"	1 1/2"	110	46	53	51
1 1/2"	2"	136	55	70	75
2"	2 1/2"	195	66	75	75

Discharge rating

Pressure setting (bar)	Discharge Rating (m3/h)					
Inlet size	1/2"	3/4"	1"	1 1/4"	1 1/2"	2"
4.0	2.8	3.0	9.5	14.3	19.2	27.7
4.5	3.0	3.2	10.1	15.1	20.4	29.3
5.0	3.1	3.4	10.6	16.1	21.5	30.9
5.5	3.3	3.6	11.1	16.1	22.5	32.4
6.0	3.4	3.7	11.6	17.5	24.2	34.9
7.0	3.7	4.0	12.6	18.9	26.5	38.9
8.0	4.0	4.3	13.4	20.2	28.7	42.7
9.0	4.2	4.6	14.3	21.4	30.5	46.3
10.0	4.4	4.8	15.0	22.6	32.2	49.7