

Aquasystem® Potable Water Expansion Vessels

Stainless steel expansion vessel for potable water applications.

Overview

Reliance Valves Aquasystem Replaceable Membrane Potable Water Expansion Vessels are designed to carry the extra load within a water system when the water is heating and increasing in volume.

The vessels have a replaceable membrane inside that prevents the water from causing corrosion or contamination, ensuring the water remains safe for human consumption. This replaceable membrane also means that the vessel can be easily serviced without having to be removed.

Features & benefits

- Stainless steel bolted flange prevents corrosion
- Extra wide membrane opening prevents noise caused by restricted flow
- Internal membrane prevents any water contact with the steel shell, stopping internal corrosion
- A wide range available from 2 to 5000 litres, covering all applications
- All versions supplied with a replaceable membrane so that the vessel can be serviced without being removed
- Pre-charge valve for topping up air pressure
- Suitable for hot and cold water only

Standards & approvals

WRAS Approved up to 1000 Litres

CE marked according to Directive PED 97/23/CE

TUV Certified

1000-5000 Litre models materials comply with BS 6920

Specifications

Maximum temperature	99°C
Minimum temperature	-10°C
Maximum working pressure	10.0 bar

Materials

Shell	Epoxy coated steel
Membrane	EDPM
Bolted flange	Stainless steel

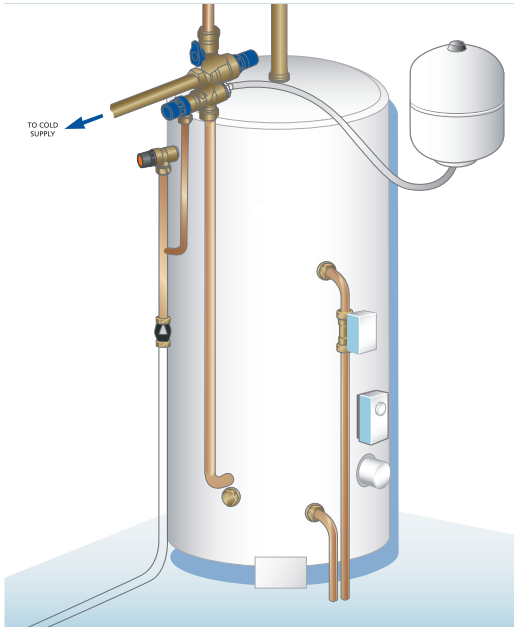


Product code	Colour	Capacity	Product code	Colour	Capacity
XVES050010	White	2Ltr	XVES050150	Blue	500 Ltr
XVES050020	White	5Ltr	XVES050160	Red	750 Ltr
XVES050030	White	8Ltr	XVES050170	Red	1000 Ltr
XVES050040	White	12Ltr	XVES050180	Red	1500 Ltr
XVES050050	White	18Ltr	XVES050190	Red	2000 Ltr
XVES050060	White	24Ltr	XVES050200	Red	3000 Ltr
XVES050070	White	35Ltr	XVES050210	Red	4000 Ltr
XVES050080	Blue	50 Ltr	XVES050220	Red	5000 Ltr
XVES050090	Blue	60 Ltr	With integral bracket		
XVES050100	Blue	80 Ltr	XVES050236	White	8 Ltr
XVES050110	Blue	100 Ltr	XVES050245	White	12 Ltr
XVES050120	Blue	150 Ltr	XVES050255	White	18 Ltr
XVES050130	Blue	200 Ltr	XVES050265	White	24 Ltr
XVES050140	Blue	300 Ltr	XVES050275	Blue	35 Ltr

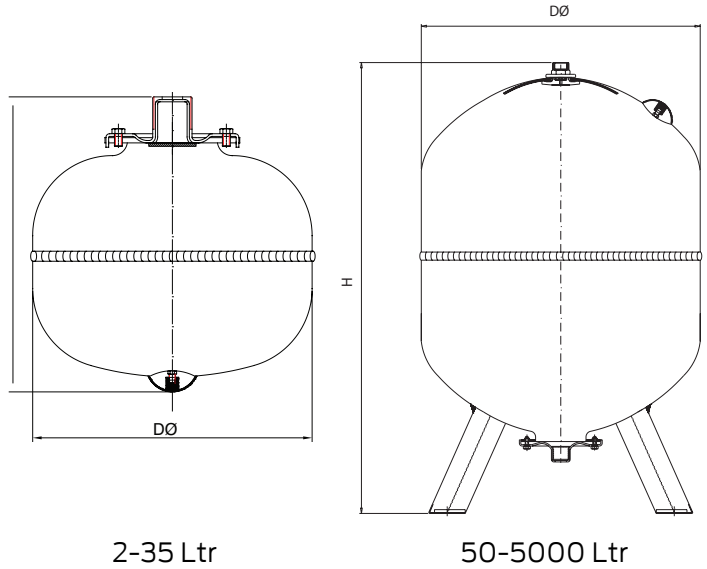


Aquasystem® Potable Water Expansion Vessels

Typical installation



Dimensions – All measurements in mm unless otherwise stated



2-35 Ltr

50-5000 Ltr

Product code	Capacity	Colour	Pre-set Pressure (bar)	Maximum Pressure (bar)	Height (mm)	Diameter (mm)	Connection
XVES050010	White	2 Ltr	3.0	10.0	250	120	½" MBSP
XVES050020	White	5 Ltr	3.0	10.0	3 04	160	¾" MBSP
XVES050030 / XVES050036	White	8 Ltr	3.0	10.0	316	200	¾" MBSP
XVES050040 / XVES050045	White	12 Ltr	3.0	10.0	295	280	¾" MBSP
XVES050050 / XVES050055	White	18 Ltr	3.0	10.0	430	280	¾" MBSP
XVES050060 / XVES050065	White	24 Ltr	3.0	10.0	489	280	¾" MBSP
XVES050070 / XVES050075	White	35 Ltr	3.0	10.0	440	365	¾" MBSP
XVES050080	Blue	50 Ltr	3.0	10.0	656	365	¾" MBSP
XVES050090	Blue	60 Ltr	3.5	10.0	783	365	1" MBSP
XVES050100	Blue	80 Ltr	3.5	10.0	810	410	1" MBSP
XVES050110	Blue	100 Ltr	3.5	10.0	849	495	1" MBSP
XVES050120	Blue	150 Ltr	3.5	10.0	975	550	1" MBSP
XVES050130	Blue	200 Ltr	3.5	10.0	1085	600	1¼" MBSP
XVES050140	Blue	300 Ltr	3.5	10.0	1240	650	1¼" MBSP
XVES050150	Blue	500 Ltr	3.5	10.0	1490	750	1¼" MBSP
XVES050160	Red	750 Ltr	4.0	10.0	1820	800	2" MBSP
XVES050170	Red	1000 Ltr	4.0	10.0	2160	800	2" MBSP
XVES050180	Red	1500 Ltr	4.0	10.0	2360	960	2" MBSP
XVES050190	Red	2000 Ltr	4.0	10.0	2555	1100	2" MBSP
XVES050200	Red	3000 Ltr	4.0	10.0	2790	1200	DN65
XVES050210	Red	4000 Ltr	4.0	10.0	3200	1450	DN80
XVES050220	Red	5000 Ltr	4.0	10.0	3350	1500	DN80



XVES050_POT-004-0622

SAFETY VALVES ONLINE

01482 601030

www.safetyvalvesonline.com

sales@safetyvalvesonline.com