

Safety relief valves for thermal, hydraulic and domestic water systems

311-312-313-314-513- 514-527 EST series



SAFETY VALVES ONLINE

01482 601030

www.safetyvalvesonline.com
sales@safetyvalvesonline.com



General

The 311, 312, 313, 314, 513 and 514 series safety relief valves are made by Caleffi S.p.A. in compliance with the essential safety requirements laid down by Directive 97/23/CE of the European Parliament and the Council of the European Union for harmonisation of member States with regard to pressurised equipment.

Function

Safety relief valves are typically used for pressure control on heat generators in heating systems, on hot water storage units in hydraulic and domestic water systems, and in hydraulic systems.

On reaching the setting pressure, the valve opens and, by discharging into the atmosphere, prevents the pressure in the system from reaching dangerous levels for the generator and for the components installed in the system.

527 EST series valves are fail-safe devices, i.e. they are guaranteed to operate even in the case of wear or breakage of the diaphragm.



Product range

311 series	Certified standard safety relief valve. F-F connections.	_____	sizes 1/2", 3/4"
312 series	Certified standard safety relief valve. M-F connections.	_____	size 1/2"
313 series	Certified standard safety relief valve with pressure gauge or pressure gauge connection. F-F connections.	_____	sizes 1/2", 3/4"
314 series	Certified standard safety relief valve with pressure gauge or pressure gauge connection. M-F connections.	_____	size 1/2"
513 series	Certified standard safety relief valve. F-F connections.	_____	sizes 1/2"x1/2", 1"x1 1/4", 1 1/4"x1 1/2"
514 series	Certified standard safety relief valve. M-F connections.	_____	size 1/2"
527 EST series	Certified standard safety relief valve. F-F connections.	_____	size 1/2"x3/4", 3/4"x1", 1"x1 1/4", 1 1/4"x 1 1/2"

Technical specifications

Materials:

Body:	- 1/2"-3/4":	brass EN 12165 CW617N
	- 1"-1 1/4":	brass EN 1982 CB753S
Cover:	brass EN 12165 CW617N	
	- 513-514 (1/2"):	PA6G30
Control stem:		brass EN 12164 CW614N
Obturator seal:		EPDM
Diaphragm:		EPDM
Spring:		steel EN 12270-1
Control knob:	- 311-312-313-314-513 (1/2")-514:	ABS
	- 513 (1" and 1 1/4")-527 EST:	PA6G20
Nominal pressure:		PN 10
Working temperature range:		5-110 °C

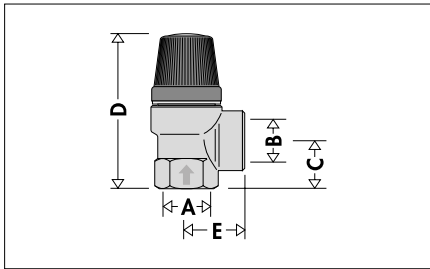
Performance:

Opening overpressure:	527 EST; $P_{set} +10\% \cdot P_{set}$
	311-312-313-314-513-514; $P_{set} +20\% \cdot P_{set}$
Closing differential:	$P_{set} -20\% \cdot P_{set}$
Medium:	water, air
PED category:	IV

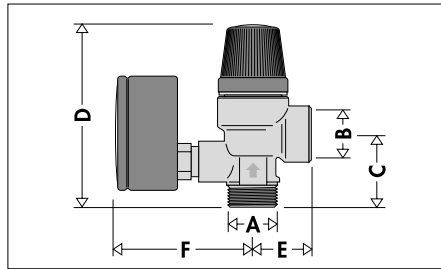
Settings:

311 series	1,5-2-2,5-3-3,5-4-5-5,5-6-7-8-9 bar (1,5 bar only 1/2") (2-5,5-9 bar only 3/4")
312 series	1,8-2,5-3-3,5-4-5-6-7-8 bar
313 series with pressure gauge	2,5-3-6-7-8 bar
313 series with pressure gauge connection	3 bar
314 series with pressure gauge	2,5-3-6-7-8 bar
314 series with pressure gauge connection	3-6 bar
513 series	1,5-2-2,5-3-3,5-4 - 5,5-6-7-8-9 bar (1,5-2 only 1/2" and 1")(4-5,5-9 only 1")
514 series	2-2,5-3-3,5-4-5-6-7-8 bar
527 EST series standard	2,25-2,5-2,7-3-3,5-4-4,5-5-5,4-6 bar
527 EST series special settings	1-1,5-2-7-8 bar

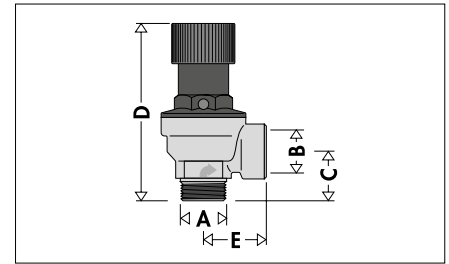
Dimensions



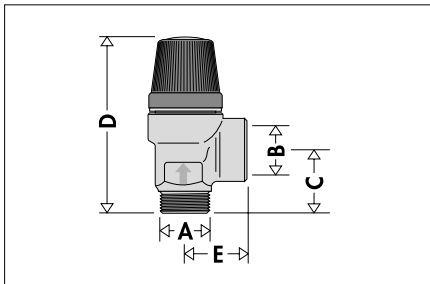
Code	A	B	C	D	E	Mass (kg)
3114..	1/2"	1/2"	19,5	65,5	25,5	0,13
3115..	3/4"	3/4"	24	74,5	27,5	0,21



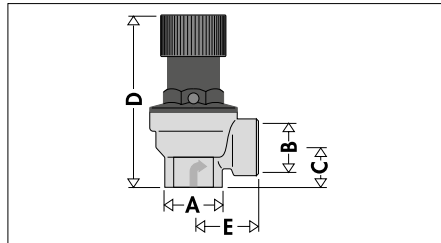
Code	A	B	C	D	E	F	Mass (kg)
3144..	1/2"	1/2"	32	78	25,5	61	0,24



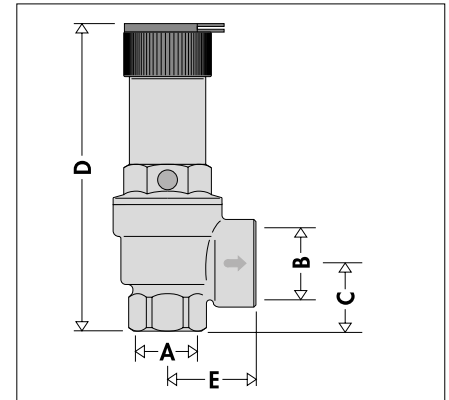
Code	A	B	C	D	E	Mass (kg)
5144..	1/2"	1/2"	23	81,5	29,5	0,18



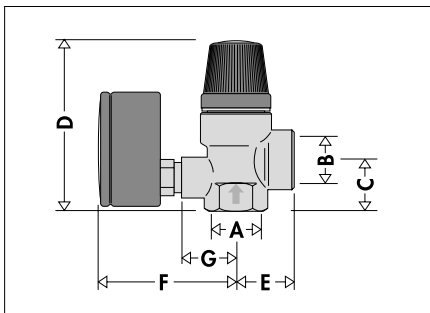
Code	A	B	C	D	E	Mass (kg)
3124..	1/2"	1/2"	23,5	69,5	25,5	0,13



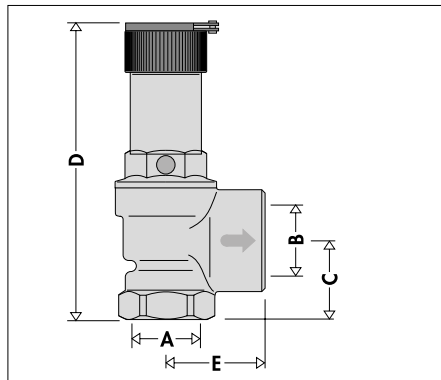
Code	A	B	C	D	E	Mass (kg)
5134..	1/2"	1/2"	19	78,5	29,5	0,18



Code	A	B	C	D	E
5274.. EST	1/2"	3/4"	26	93	33
5275.. EST	3/4"	1"	30	136	39,5
5276.. EST	1"	1 1/4"	39	166	48
5277.. EST	1 1/4"	1 1/2"	42,5	185	56



Code	A	B	C	D	E	F	G	Mass (kg)
3134..	1/2"	1/2"	21,5	72	25,5	61	24	0,24
3135..	3/4"	3/4"	24	74,5	27,5	61	24	0,29



Code	A	B	C	D	E	Mass (kg)
5136..	1"	1 1/4"	38	144	48	0,85
5137..	1 1/4"	1 1/2"	44	187	57,5	2,1

Code completion

bar	••	bar	••	bar	••
1	10	2.7	27	5.4	54
1.5	15	3	30	5.5	55
1.8	28	3.5	35	6	60
2	20	4	40	7	70
2.25	22	4.5	45	8	80
2.5	25	5	50	9	90

Safety relief valve for thermal systems, (527 EST series)

Functional details

Discharge overpressure <10 %

Full valve discharge flow rate should occur at pressure values $P_S < 1,1 \cdot P_{\text{setting}}$. This feature, combined with the special range of settings, allows the correct valve to be available as per the maximum working pressure value of the system or generator.

Closing differential <20 %

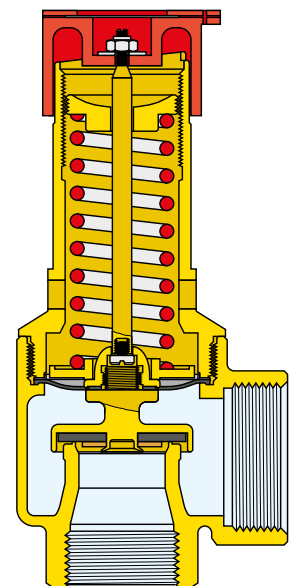
The valve must close within pressure values $P_r > 0,8 \cdot P_{\text{setting}}$. This feature allows minimizing the loss of water from the system if the valve is opened.

Positive safety

Valve performance is guaranteed even in the event of diaphragm deterioration or breakage.

Increased outlet diameter

This feature renders negligible the decrease in the discharge capacity or the change in behaviour on opening or closing due to the presence of the conveyance pipe.



527 EST SERIES TECHNICAL SPECIFICATIONS

Size	Ø Outlet (mm)	Net cross section (cm ²)	Setting press. (bar)	Nominal disch. press. (bar)	Closing press. (bar)	Outflow coeff. K	Discharge flow rate W (kg/h)	Maximum generator potential (kW)	Maximum generator potential (kcal/h)
1/2"	15	1,767	1	1,10	0,80	0,79	140,38	81,6	70.100
1/2"	15	1,767	1,50	1,65	1,20	0,79	175,73	102,1	87.800
1/2"	15	1,767	2	2,20	1,60	0,79	211,17	122,7	105.500
1/2"	15	1,767	2,25	2,475	1,80	0,79	226,39	131,6	113.100
1/2"	15	1,767	2,50	2,75	2,00	0,79	246,36	143,2	123.100
1/2"	15	1,767	2,70	2,97	2,16	0,79	261,76	152,2	130.800
1/2"	15	1,767	3	3,30	2,40	0,79	282,35	164,1	141.100
1/2"	15	1,767	3,50	3,85	2,80	0,79	318,09	184,9	159.000
1/2"	15	1,767	4	4,40	3,20	0,79	353,93	205,8	176.900
1/2"	15	1,767	4,50	4,95	3,60	0,79	386,60	224,8	193.200
1/2"	15	1,767	5	5,50	4,00	0,79	425,91	247,6	212.900
1/2"	15	1,767	5,40	5,94	4,32	0,79	456,89	265,6	228.400
1/2"	15	1,767	6	6,60	4,80	0,79	483,25	281,0	241.600
1/2"	15	1,767	7	7,70	5,60	0,79	558,42	324,7	279.200
1/2"	15	1,767	8	8,80	6,40	0,79	628,22	365,3	314.100
3/4"	20	3,1416	1	1,10	0,80	0,67	211,66	123,0	105.800
3/4"	20	3,1416	1,50	1,65	1,20	0,67	264,95	154,0	132.400
3/4"	20	3,1416	2	2,20	1,60	0,67	318,38	185,1	159.100
3/4"	20	3,1416	2,25	2,475	1,80	0,67	341,33	198,4	170.600
3/4"	20	3,1416	2,50	2,75	2,00	0,67	371,45	215,9	185.700
3/4"	20	3,1416	2,70	2,97	2,16	0,67	394,66	229,4	197.300
3/4"	20	3,1416	3	3,30	2,40	0,67	425,70	247,5	212.800
3/4"	20	3,1416	3,50	3,85	2,80	0,67	479,59	278,8	239.700
3/4"	20	3,1416	4	4,40	3,20	0,67	533,63	310,3	266.800
3/4"	20	3,1416	4,50	4,95	3,60	0,67	582,89	338,9	291.400
3/4"	20	3,1416	5	5,50	4,00	0,67	642,16	373,4	321.000
3/4"	20	3,1416	5,40	5,94	4,32	0,67	688,87	400,5	344.400
3/4"	20	3,1416	6	6,60	4,80	0,67	728,61	423,6	364.300
3/4"	20	3,1416	7	7,70	5,60	0,67	841,95	489,5	420.900
3/4"	20	3,1416	8	8,80	6,40	0,67	947,19	550,7	473.500
1"	25	4,9087	1	1,10	0,80	0,88	434,38	252,5	217.100
1"	25	4,9087	1,50	1,65	1,20	0,88	543,74	316,1	271.800
1"	25	4,9087	2	2,20	1,60	0,88	653,40	379,9	326.600
1"	25	4,9087	2,25	2,475	1,80	0,88	700,49	407,3	350.200
1"	25	4,9087	2,50	2,75	2,00	0,88	762,30	443,2	381.100
1"	25	4,9087	2,70	2,97	2,16	0,88	809,94	470,9	404.900
1"	25	4,9087	3	3,30	2,40	0,88	873,65	508,0	436.800
1"	25	4,9087	3,50	3,85	2,80	0,88	984,23	572,3	492.100
1"	25	4,9087	4	4,40	3,20	0,88	1095,13	636,8	547.500
1"	25	4,9087	4,50	4,95	3,60	0,88	1196,22	695,6	598.100
1"	25	4,9087	5	5,50	4,00	0,88	1317,87	766,3	658.900
1"	25	4,9087	5,40	5,94	4,32	0,88	1413,72	822,0	706.800
1"	25	4,9087	6	6,60	4,80	0,88	1495,28	869,5	747.600
1"	25	4,9087	7	7,70	5,60	0,88	1727,88	1004,7	863.900
1"	25	4,9087	8	8,80	6,40	0,88	1943,86	1130,3	971.900
1 1/4"	32	8,0424	1	1,10	0,80	0,74	598,47	348,0	299.200
1 1/4"	32	8,0424	1,50	1,65	1,20	0,74	749,13	435,6	374.500
1 1/4"	32	8,0424	2	2,20	1,60	0,74	900,22	523,4	450.100
1 1/4"	32	8,0424	2,25	2,475	1,80	0,74	965,10	561,2	482.500
1 1/4"	32	8,0424	2,50	2,75	2,00	0,74	1050,25	610,7	525.100
1 1/4"	32	8,0424	2,70	2,97	2,16	0,74	1115,89	648,8	557.900
1 1/4"	32	8,0424	3	3,30	2,40	0,74	1203,66	699,9	601.800
1 1/4"	32	8,0424	3,50	3,85	2,80	0,74	1356,02	788,5	678.000
1 1/4"	32	8,0424	4	4,40	3,20	0,74	1508,81	877,3	754.400
1 1/4"	32	8,0424	4,50	4,95	3,60	0,74	1648,09	958,3	824.000
1 1/4"	32	8,0424	5	5,50	4,00	0,74	1815,69	1055,8	907.800
1 1/4"	32	8,0424	5,40	5,94	4,32	0,74	1947,74	1132,6	973.800
1 1/4"	32	8,0424	6	6,60	4,80	0,74	2060,11	1197,9	1.030.000
1 1/4"	32	8,0424	7	7,70	5,60	0,74	2380,57	1384,3	1.190.200
1 1/4"	32	8,0424	8	8,80	6,40	0,74	2678,14	1557,3	1.339.000

Certification

CE Mark

The 527 series safety relief valves meet the requirements of Directive 2014/68/CE for pressurised equipment (also referred to as PED).

They are therefore classified as category IV and are CE marked.

Certificates and decisions issued by conformity assessment bodies under Directive 97/23/CE shall be valid under the Directive 2014/68/ EU.



CERTIFICATO DI ESAME CE DEL TIPO
EC TYPE EXAMINATION CERTIFICATE

N. PA56 - 97/23/CE - B Rev. 4

Consorzio Pascal Srl è socio unico
Organismo Notificato n. 1115
Via A. Beaulieu, 13 - 20181 Milano ITALY
Tel. 02 4541 8101 - Fax 02 4541 8142
email: info@consorzio-pascal.it

Consorzio PASCAL s.r.l. a socio unico, quale Organismo Notificato n. 1115
Consorzio PASCAL s.r.l. a socio unico, acting as Notified Body n. 1115

ATTESTA ATTESTS
che il progetto presentato da
that the design submitted by

FABBRICANTE MANUFACTURER **CALEFFI S.p.A.**
S.R. 229 n. 25 - 28010 Fontaneto D'Agogna (NO)

soddisfa le disposizioni dell'Allegato III, Modulo B della Direttiva 97/23/CE
satisfies the requirements of Annex III, Module B of the Pressure Equipment Directive 97/23/EC

ATTREZZATURA EQUIPMENT **VALVOLE DI SICUREZZA**

Modelli coperti Covered models Serie 513 (¾", 1", 1¼"), 527 (¾", ¾", 1", 1¼"), 527BOL (¾")
Fascicolo Tecnico Technical File 4031/14

L'elenco della documentazione tecnica rilevante è riportata in appendice A.
A list of the relevant technical documentation is summarized in appendix A.

Codice Progetto Design Code Metodo sperimentale
Rapporti di valutazione Evaluation Reports O48_RED_2014_08_06

LIMITI ESSENZIALI AMMISSIBILI ESSENTIAL ALLOWABLE LIMITS

PS (bar a)	15
TS min/max (°C)	+S / +110
Volume (L)/DN	Vedere app. B
Fluido Fluid	Aria, acqua
Gruppo del Fluido Fluid Group	2
Categoria di Rischio Risk Category	IV

CONDIZIONI DI VALIDITA' VALIDITY TERMS AND CONDITIONS

Tutte le modifiche al progetto approvato sono soggette ad ulteriore approvazione.
Il presente certificato deve ritenersi nullo ed il fabbricante se ne assumeva tutte le conseguenze dal suo imbito utilizzo, in caso di modifiche che influiscono la conformità ai requisiti essenziali di sicurezza e, in generale, se il fabbricante non rispetta tutti e ciascuno degli obblighi o suo carico previsti dalla direttiva 97/23/CE, come recepita dalla legislazione nazionale vigente.
This certificate shall be invalid if the Manufacturer shall alone bear any consequences pursuant to its use, in case of modifications which affect conformity to the essential safety requirements, and generally, where the Manufacturer fails to comply with each and every of his obligations under directive 97/23/CE as transposed in the applicable national laws.

4	Aggiunta nuove pressioni taratura	Added new set pressures
3	Rinnovo	Renewal
1	Aggiunta nuovi modelli	Added new models
0	Emissione	Emission
Rev.	Descrizione	Description

La presente revisione annulla e sostituisce le precedenti - This revision supersedes previous ones

	Prima Emissione First issue	Emissione corrente Current issue	Data di Scadenza Expiring date
	14/05/2002	05/06/2014	13/05/2022

REG. N° 1488
 Normative (EN) Series 5 - Relief Accessories
 EN 1561 - EN 1563
 Safety P/V, LW and L/C Actuator
 Regulated Equipment

Il presente Certificato non è da ritenersi valido se non completo di tutte le sue pagine e può essere sospeso o reso nullo in caso di inadempienza del Fabbricante. L'autenticità e la validità del presente attestato può essere verificata contattando Consorzio PASCAL.
 This Certificate is not valid without all its pages and can be suspended or withdrawn as any time in the event of manufacturer's non-fulfilment. To verify authenticity and validity of this Certificate please contact Consorzio PASCAL.

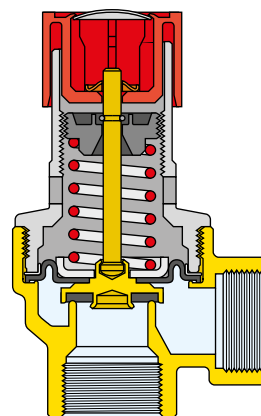
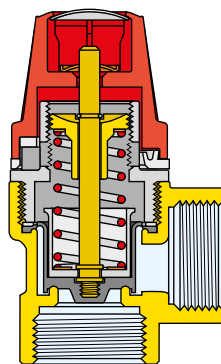
Questo documento è di proprietà di Consorzio PASCAL. - Property of Consorzio PASCAL.

Standard safety relief valves

The standard safety relief valves 311, 312, 313, 314, 513 and 514 series are used in heating systems, in domestic water systems to protect the hot water storage and in hydraulic systems.

Heating systems

In compliance with Italian legislation, standard safety relief valves may be applied to heat generators with ratings lower than 35 kW.



311-312-313-314 SERIES TECHNICAL SPECIFICATIONS

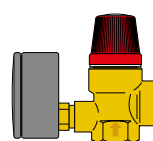
Size	Ø Outlet mm	Cross Section net cm ²	Press. of setting (bar)	Nom. disch. press. (bar)	Press. of closing (bar)	Coeff. of outflow K	Flow rate of discharge (W) kg/h	Maximum potential of the generator kW	kcal/h
1/2"	13	1,327	1,5	1,80	1,2	0,5	88,49	51,3	44.200
1/2"	13	1,327	1,8	2,16	1,44	0,5	99,38	57,6	49.600
1/2"	13	1,327	2,50	3,00	2,00	0,5	124,44	72,3	62.200
1/2"	13	1,327	3	3,60	2,40	0,5	142,17	82,5	71.000
1/2"	13	1,327	3,50	4,20	2,80	0,5	161,39	93,6	80.600
1/2"	13	1,327	4	4,80	3,20	0,5	178,25	103,3	89.000
1/2"	13	1,327	5	6	4	0,5	213,32	123,7	106.400
1/2"	13	1,327	6	7,20	4,80	0,5	248,81	144,6	124.400
1/2"	13	1,327	7	8,40	5,60	0,5	284,35	165,2	142.100
1/2"	13	1,327	8	9,60	6,40	0,5	322,78	187,5	161.300
3/4"	13	1,327	2	2,40	1,60	0,5	106,63	61,8	53.300
3/4"	13	1,327	2,50	3,00	2,00	0,5	124,44	72,3	62.200
3/4"	13	1,327	3	3,60	2,40	0,5	142,17	82,5	71.000
3/4"	13	1,327	3,50	4,20	2,80	0,5	161,39	93,6	80.600
3/4"	13	1,327	4	4,80	3,20	0,5	178,25	103,3	89.000
3/4"	13	1,327	5	6,00	4,00	0,5	213,26	123,6	106.600
3/4"	13	1,327	5,5	6,60	4,4	0,5	234,23	135,9	116.900
3/4"	13	1,327	6	7,20	4,80	0,5	248,81	144,6	124.400
3/4"	13	1,327	7	8,40	5,60	0,5	284,35	165,2	142.100
3/4"	13	1,327	8	9,60	6,40	0,5	322,78	187,5	161.300
3/4"	13	1,327	9	10,80	7,2	0,5	364,20	211,2	181.700

513-514 SERIES TECHNICAL SPECIFICATIONS

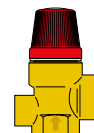
Size	Ø Outlet mm	Cross Section net cm ²	Press. of setting (bar)	Nom. disch. press. (bar)	Press. of closing (bar)	Coeff. of outflow K	Flow rate of discharge (W) kg/h	Maximum potential of the generator kW	kcal/h
1/2"	15	1,767	1,50	1,80	1,20	0,5	117,80	68,3	58.900
1/2"	15	1,767	2	2,40	1,60	0,5	141,99	82,3	70.900
1/2"	15	1,767	2,50	3,00	2,00	0,5	165,65	96,2	82.800
1/2"	15	1,767	3	3,60	2,40	0,5	189,32	110,0	94.600
1/2"	15	1,767	3,50	4,20	2,80	0,5	214,90	124,6	107.400
1/2"	15	1,767	4	4,80	3,20	0,5	237,35	137,6	118.600
1/2"	15	1,767	5	6	4	0,5	284,01	164,7	141.700
1/2"	15	1,767	6	7,20	4,80	0,5	331,31	192,5	165.600
1/2"	15	1,767	7	8,40	5,60	0,5	378,64	220,1	189.300
1/2"	15	1,767	8	9,60	6,40	0,5	429,81	249,8	214.900



- 311415 1/2" 1,5 bar
- 311425 1/2" 2,5 bar
- 311430 1/2" 3 bar
- 311435 1/2" 3,5 bar
- 311440 1/2" 4 bar
- 311450 1/2" 5 bar
- 311460 1/2" 6 bar
- 311470 1/2" 7 bar
- 311480 1/2" 8 bar
- 311520 3/4" 2 bar
- 311525 3/4" 2,5 bar
- 311530 3/4" 3 bar
- 311535 3/4" 3,5 bar
- 311540 3/4" 4 bar
- 311550 3/4" 5 bar
- 311555 3/4" 5,5 bar
- 311560 3/4" 6 bar
- 311570 3/4" 7 bar
- 311580 3/4" 8 bar
- 311590 3/4" 9 bar



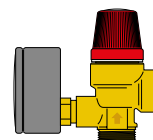
- 313425 1/2" 2,5 bar
- 313430 1/2" 3 bar
- 313460 1/2" 6 bar
- 313470 1/2" 7 bar
- 313480 1/2" 8 bar
- 313525 3/4" 2,5 bar
- 313530 3/4" 3 bar
- 313560 3/4" 6 bar
- 313570 3/4" 7 bar
- 313580 3/4" 8 bar



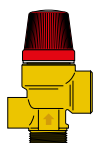
- 313432 1/2" 3 bar
- 313532 3/4" 3 bar



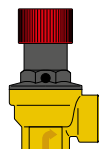
- 312428 1/2" 1,8 bar
- 312425 1/2" 2,5 bar
- 312430 1/2" 3 bar
- 312435 1/2" 3,5 bar
- 312440 1/2" 4 bar
- 312450 1/2" 5 bar
- 312460 1/2" 6 bar
- 312470 1/2" 7 bar
- 312480 1/2" 8 bar



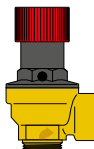
- 314425 1/2" 2,5 bar
- 314430 1/2" 3 bar
- 314460 1/2" 6 bar
- 314470 1/2" 7 bar
- 314480 1/2" 8 bar



- 314432 1/2" 3 bar
- 314462 1/2" 6 bar



- 513415 1/2" 1,5 bar
- 513420 1/2" 2 bar
- 513425 1/2" 2,5 bar
- 513430 1/2" 3 bar
- 513435 1/2" 3,5 bar
- 513460 1/2" 6 bar
- 513470 1/2" 7 bar
- 513480 1/2" 8 bar



- 514420 1/2" 2 bar
- 514425 1/2" 2,5 bar
- 514430 1/2" 3 bar
- 514435 1/2" 3,5 bar
- 514440 1/2" 4 bar
- 514450 1/2" 5 bar
- 514460 1/2" 6 bar
- 514470 1/2" 7 bar
- 514480 1/2" 8 bar

Installation

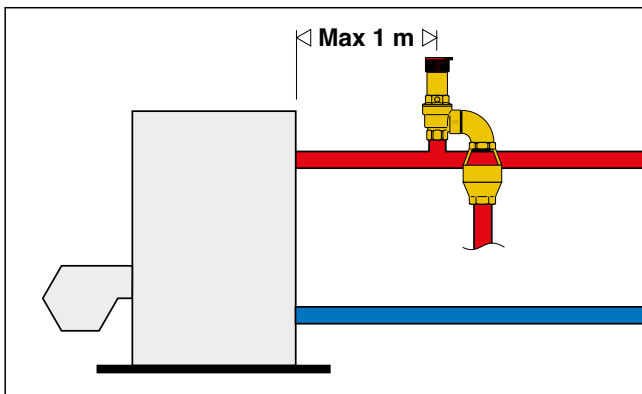
Before installing a safety relief valve, it must be correctly sized by qualified technical personnel in accordance with the current regulations governing the specific applications. Any use other than the intended use is prohibited.

Safety relief valves must be installed by competent technical personnel qualified in accordance with current legislation.

The safety relief valve must be installed in line with the flow direction indicated by the arrow on the valve body.

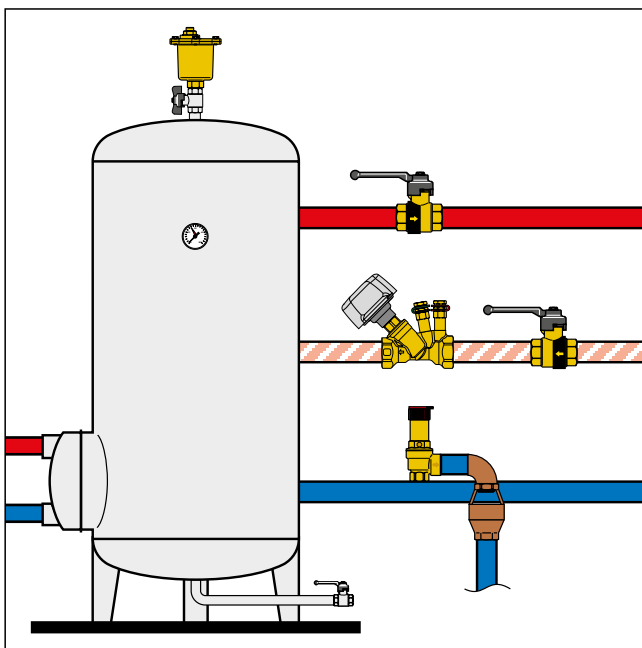
Heating system

The safety relief valves must be installed on the top of the generator or on the flow pipe no more than one metre from the generator (Section R). The connecting pipework between the safety relief valve and the generator must not be interrupted.



Hydraulic and domestic water system

Safety relief valves must be installed close to the hot water storage, taking care not to fit any shut-off devices between the valve and the storage.

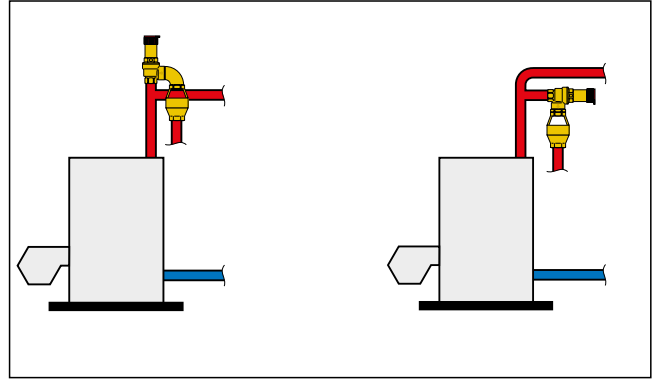


Mounting

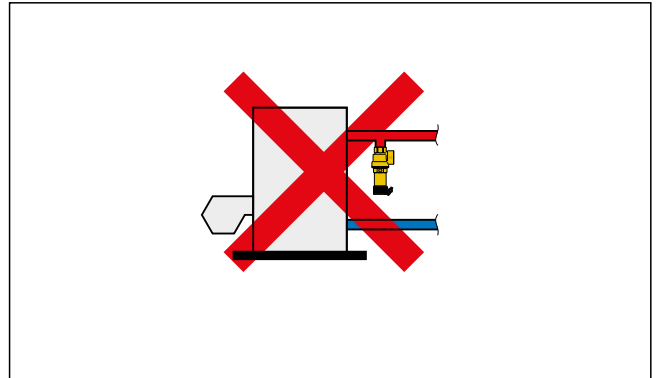
Safety relief valves can be fitted vertically or horizontally, but not upside down.

This prevents deposits of impurities from affecting correct functioning.

Correct installation



Incorrect installation



Discharge pipework

The discharge pipework from the safety relief valve must be fitted in such a way as not to prevent the correct operation of the valve and not to cause damage or injury.

In accordance with current legislation, the safety relief valve discharge must be visible and carried in suitable collection pipework.

As shown in the diagrams, it is advisable to install a tundish directly in the discharge pipework for low capacity valves, as diagram 1.

In the case of larger capacities, proceed as shown in diagram 2.

Diagram 1

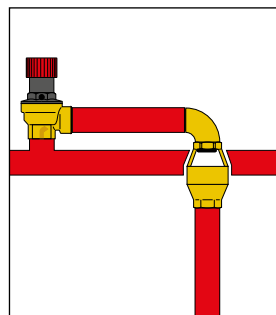
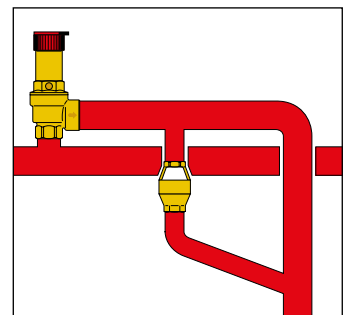


Diagram 2



SPECIFICATION SUMMARY

311 series

Certified, standard membrane safety relief valve. Bearing CE mark as per Directive 2014/68/EU. Threaded connections 1/2" F x 1/2" F (and 3/4" x 3/4"). Available setting values: 1,5 - 2 - 2,5 - 3 - 3,5 - 4 - 5 - 5,5 - 6 - 7 - 8 - 9, 1,5 bar only for 1/2", 2 - 5,5 - 9 bar only for 3/4". Maximum working temperature 110 °C. Brass body. Diaphragm and seal in EPDM. ABS knob. Opening overpressure 20 %, closing differential 20 %.

312 series

Certified standard membrane safety relief valve. Bearing CE mark as per Directive 2014/68/EU. Threaded connections 1/2" M x 1/2" F. Available setting values: 1,8 - 2,5 - 3 - 3,5 - 4 - 6 - 7 - 8. Maximum working temperature 110 °C. Brass body. Diaphragm and seal in EPDM. ABS control knob. Opening overpressure 20 %, closing differential 20 %.

313 series

Certified standard membrane safety relief valve with pressure gauge connection. Bearing CE mark as per Directive 2014/68/EU. Threaded connections 1/2" F x 1/2" F (1/2" and 3/4"). Available setting values: 3 bar. Maximum working temperature 110 °C. Brass body. Diaphragm and seal in EPDM. ABS control knob. Opening overpressure 20 %, closing differential 20 %.

313 series

Certified standard membrane safety relief valve with pressure gauge. Bearing CE mark as per Directive 2014/68/EU. Threaded connections 1/2" M x 1/2" F. Available setting values: 3 bar. Maximum working temperature 110 °C. Brass body. Diaphragm and seal in EPDM. ABS control knob. Opening overpressure 20 %, closing differential 20 %.

314 series

Certified standard membrane safety relief valve with pressure gauge connection. Bearing CE mark as per Directive 2014/68/EU. Threaded connections 1/2" F x 1/2" F (1/2" and 3/4"). Available setting values: 2,5 - 3 - 6 - 7 - 8 bar. Maximum working temperature 110 °C. Brass body. Diaphragm and seal in EPDM. ABS control knob. Opening overpressure 20 %, closing differential 20 %.

314 series

Certified standard membrane safety relief valve with pressure gauge. Bearing CE mark as per Directive 97/23/EC. Threaded connections 1/2" M x 1/2" F. Available setting values: 2,5 - 3 - 6 - 7 - 8 bar. Maximum working temperature 110 °C. Brass body. Diaphragm and seal in EPDM. ABS control knob.

513 series

Certified standard membrane safety relief valve. Bearing CE mark as per Directive 2014/68/EU. Threaded connections 1/2" M x 1/2" F. Available setting values: 1,5 - 2 - 2,5 - 3 - 3,5 - 6 - 7 - 8 bar. Maximum working temperature 110 °C. Brass body. Diaphragm and seal in EPDM. Knob and control knob in glass-fibre reinforced nylon.

513 series

Certified standard membrane safety relief valve. Bearing CE mark as per Directive 2014/68/EU. Connections 1" F x 1 1/4" F (1" x 1 1/4" and 1 1/4" x 1 1/2"). Available setting values: 1,5 - 2 - 2,5 - 3 - 3,5 - 6 - 7 - 8 - 9 bar (1,5 - 2 bar only 1/2" and 1")(4 - 5,5 - 9 bar only 1"). Maximum working temperature 110 °C. Brass body and cover. Diaphragm and seal in EPDM. Knob and control knob in glass-fibre reinforced nylon.

514 series

Certified standard membrane safety relief valve. Bearing CE mark as per Directive 2014/68/EU. Connections 1/2" M x 1/2" F. Available setting values: 2 - 2,5 - 3 - 3,5 - 4 - 5 - 6 - 7 - 8 bar. Maximum working temperature 110 °C. Brass body. Diaphragm and seal in EPDM. Cover in glass-fibre reinforced nylon, control knob in ABS.

527 EST Series

Certified standard membrane safety relief valve. Bearing CE mark as per Directive 2014/68/EU. Connections 1/2" F x 3/4" F (available 1/2" x 3/4", 3/4" x 1", 1" x 1 1/4", 1 1/4" x 1 1/2"). Available setting values: 1 - 1,5 - 2 - 2,25 - 2,5 - 2,7 - 3 - 3,5 - 4 - 4,5 - 5 - 5,4 - 6 - 7 - 8 bar. Maximum working temperature 110 °C. Brass body and cover. Diaphragm and seal in EPDM. Knob and control knob in glass-fibre reinforced nylon. Opening overpressure 10 %, closing differential 20 %. Fail-safe. Accompanied by bench calibration report.

Accessories



5521

Tundish with adjustable elbow connection, male-female.

Sizes: 1/2", 3/4", 1", 1 1/4".



5520

Discharge tundish, female-female.

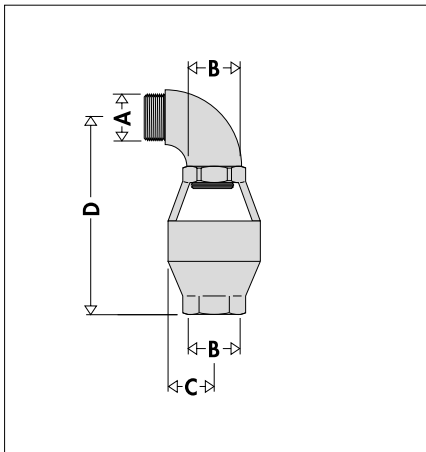
Sizes: 3/4" and 1 1/4".



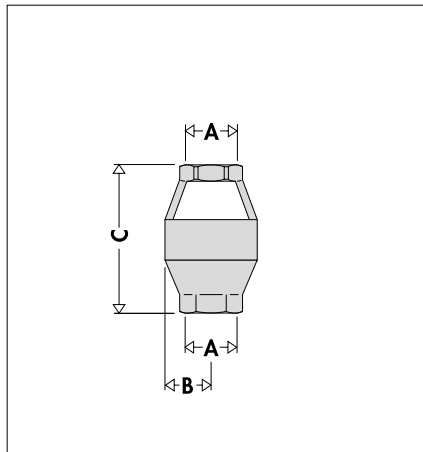
5520

Pre-formed special tundish. Bowl-type. Made of painted sheet steel. Size: 1 1/2".

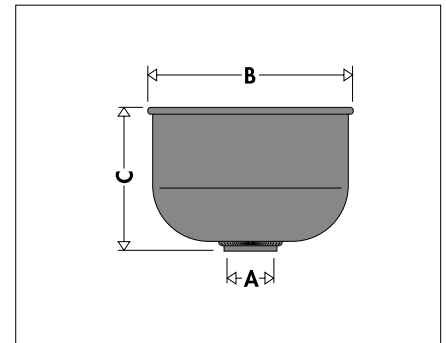
Dimensions



Code	A	B	C	D
552140	1/2"	3/4"	25	125
552150	3/4"	1"	25	125
552160	1"	1 1/4"	40	180
552170	1 1/4"	1 1/2"	40	180



Code	A	B	C
552050	3/4"	25	96
552070	1 1/4"	40	134



Code	A	B	C
552080	1 1/2"	210	150

SPECIFICATION SUMMARY

5521 series

Tundish with adjustable elbow connection. Connections 1/2" M x 3/4" F (1/2" x 3/4", 3/4" x 3/4", 1" x 1 1/4", 1 1/4" x 1 1/4"). Die-cast aluminium body. Visible discharge.

5520 series

Straight discharge tundish. Connections 3/4" F x 3/4" F (3/4" x 3/4" and 1 1/4" x 1 1/4"). Die-cast aluminium body. Visible discharge.

5520 series

Pre-formed special tundish Connection 1 1/2" F. Body in coated sheet metal

We reserve the right to make changes and improvements to our products and the related technical data in this publication, at any time and without prior notice.