

SAFETY VALVES ONLINE

01482 601030

www.safetyvalvesonline.com

sales@safetyvalvesonline.com

313 & 314

safety relief valve



WRAS
APPROVED
PRODUCT



altecnic

313 & 314 safety relief valve



series 313



series 314

Application

The Altecnic series 313 and 314 safety relief valves with pressure gauge are used in domestic hot water systems to protect the hot water cylinder and in heating systems to protect boiler and other components.

The valve is selected for the required set pressure. As the pressure rises, when the discharge pressure is reached the valve opens and discharges to atmosphere, preventing the pressure within the system reaching levels which would be dangerous for the boiler, hot water storage cylinder and any personnel in the adjacent vicinity.

Construction Details

Component	Material	Grade
Body	Brass	BS EN 12165 CW617N
Cover	Brass	BS EN 12165 CW617N
Stem	Brass	BS EN 12164 CW614N
Diaphragm	EPDM	
Spring	Stainless steel	
Control Knob	ABS Polymer	

Product Code	Set Pressure bar	Discharge Pressure bar	Re-Seating Pressure bar	Discharge Flowrate kg/hr	Max Boiler Rating kW
Series 313 Range					
313425	2.5	3.0	2.0	124.4	72.3
313430	3	3.6	2.4	142.1	82.5
313460	6	7.2	4.8	248.8	144.6
313470	7	8.4	5.6	284.3	165.2
313480	8	9.6	6.4	322.7	187.5
313525	2.5	3.0	2.0	124.4	72.3
313530	3	3.6	2.4	142.1	82.5
313560	6	7.2	4.8	248.8	144.6
313570	7	8.4	5.6	284.3	165.2
313580	8	9.6	6.4	322.7	187.5

Series 314 Range

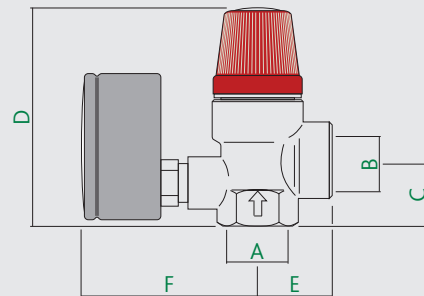
A314437CST	3	3.6	2.4	142.1	82.5
314425	2.5	3.0	2.0	124.4	72.3
314430	3	3.6	2.4	142.1	82.5
314460	6	7.2	4.8	248.8	144.6
314470	7	8.4	5.6	284.3	165.2
314480	8	9.6	6.4	322.7	187.5

CE Mark

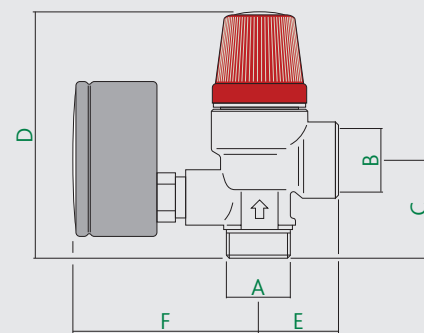
Series 313 & 314 safety relief valves meet the requirements of the European Directive 97/23/CE for pressurised equipment often referred to PED.

They are therefore classified in Category IV and granted the CE Mark.

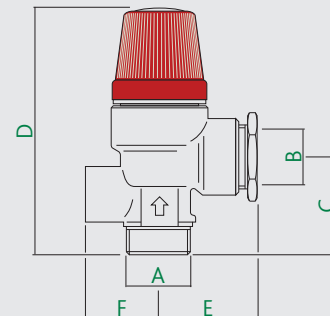
Dimensions



Prod Code	A	B	C	D	E	F	kg
3134	G½	G½	22	72	26	61	0.15
3135	G¾	G¾	24	75	28	61	0.18



Prod Code	A	B	C	D	E	F	kg
3144	G½B	G½	32	78	26	61	0.24



Prod Code	A	B	C	D	E	F	kg
A314437CST	G½B	15mm	32	78	32	30	0.21

Technical Data

Medium:	water and air
Temperature range:	5 to 110°C
Set pressure range:	2.5 to 8 bar
Max. static pressure:	10 bar
PED category:	IV
WRAS approved product	

**SAFETY
VALVES
ONLINE**

01482 601030

www.safetyvalvesonline.com

sales@safetyvalvesonline.com

altecnic
CALEFFI group