

WT12 Series Mechanical Dynamometer

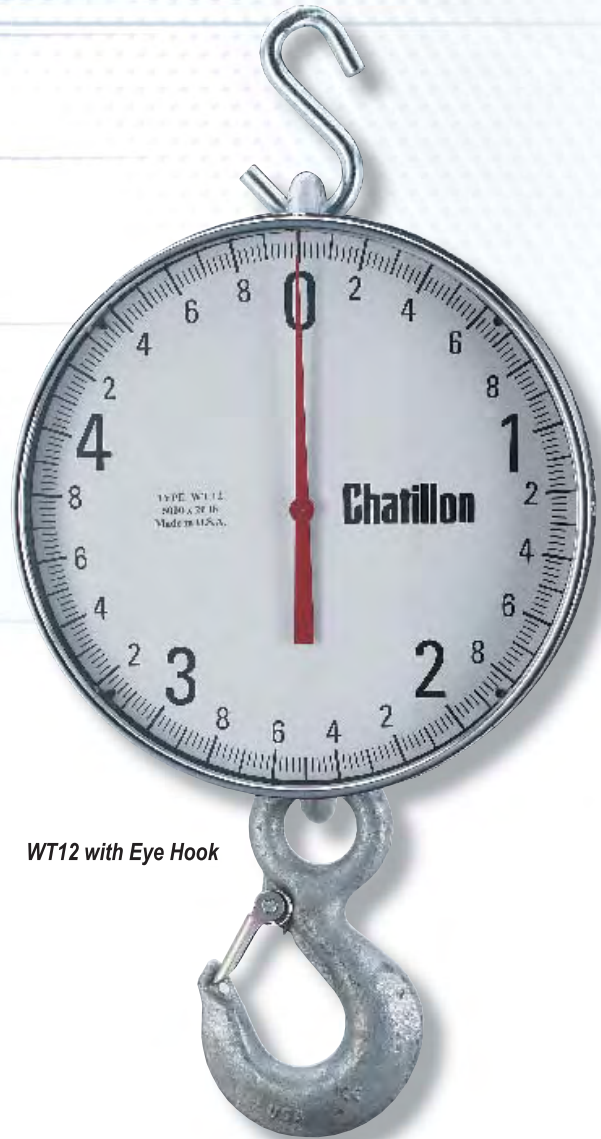
The CHATILLON® WT12 Series mechanical dynamometer may be used as a weighing tensiometer or crane scale. This precision weighing instrument features a large 12-inch (305 mm) dial face with shatter-resistant dial cover in a strong aluminum housing. Available with pound or kilogram dial face, the WT12 Series accuracy is better than 0.5% of full scale. A manually engaged clutch “freezes” the pointer at its maximum reading for exact reading of peak weight. Needle bearings in shackles prevent brinelling under heavy loads and eliminate shackle misalignment. Mechanism sealed against dust and dirt. Oiling not required. Dynamometer comes with NIST traceable Certificate of Calibration with Data.

Features

- ❑ Pound or Kilogram Dials
 - Capacities up to 20,000 lb (10,000 kg)
- ❑ Rugged Cast Aluminum Housing
- ❑ Large, 12-inch (305 mm) Easy-to-Read Dial with Shatter-resistant Dial Cover, Anti-Parallax
- ❑ Maximum Reading Button
- ❑ Calibration traceable to NIST
- ❑ 4:1 Ultimate Safety Factor
- ❑ 2 Year Warranty
- ❑ Certificate of Calibration with NIST Traceable Data

Specifications

- Accuracy:** ±0.5% of Full Scale
- Maximum Overload:** 125% of Rated Capacity
- Tare Capacity:** 20% of Rated Capacity
- Dial Revolutions:** Full Scale in 1 Revolution
- Dial Resolution:** 200:1
- Operating Temperature:** -50°F to 140°F (-45°C to 60°C)



WT12 with Eye Hook

Ordering

Scale with Shackles

Model	Capacity	Length
WT12-00500	500 x 2 lb	13-1/4 in (337 mm)
WT12-01000	1000 x 5 lb	13-1/4 in (337 mm)
WT12-02000	2000 x 10 lb	13-1/4 in (337 mm)
WT12-05000	5000 x 20 lb	13-1/4 in (337 mm)
WT12-10000	10000 x 50 lb	15 in (381 mm)
WT12-20000	20000 x 100 lb	15 in (381 mm)
WT12-00500K	500 x 2 kg	13-1/4 in (337 mm)
WT12-01000K	1000 x 5 kg	13-1/4 in (337 mm)
WT12-02000K	2000 x 10 kg	13-1/4 in (337 mm)
WT12-05000K	5000 x 20 kg	15 in (381 mm)
WT12-10000K	10000 x 50 kg	15 in (381 mm)

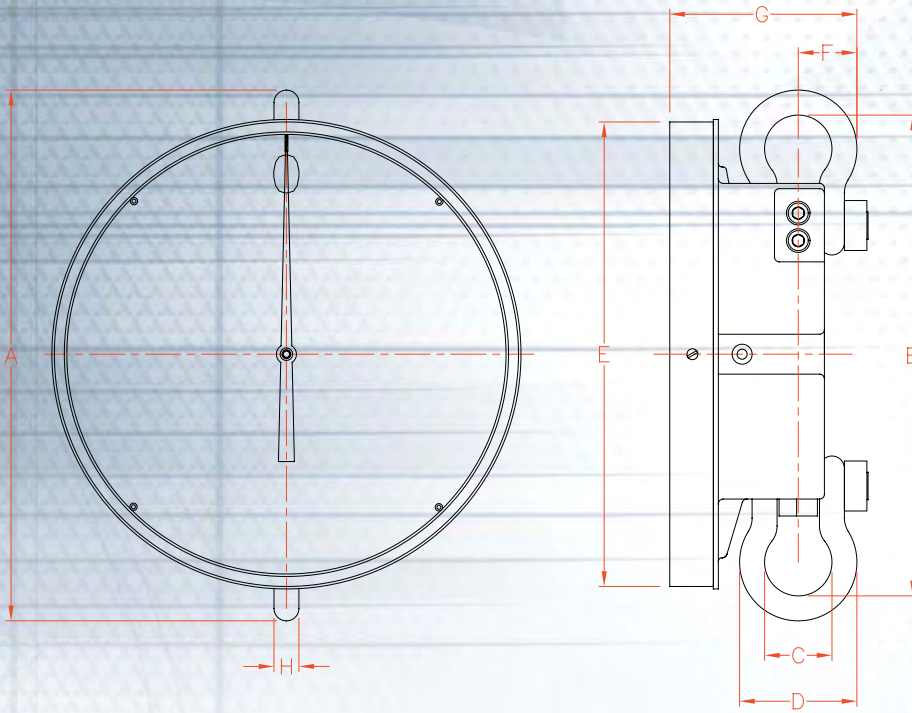
With Eye Hook

Model	Capacity	Length
WT12-00500-EH	500 x 2 lb	19-13/16 in (503 mm)
WT12-01000-EH	1000 x 5 lb	19-13/16 in (503 mm)
WT12-02000-EH	2000 x 10 lb	19-13/16 in (503 mm)
WT12-05000-EH	5000 x 20 lb	19-13/16 in (503 mm)
WT12-10000-EH	10000 x 50 lb	26-5/16 in (668 mm)
WT12-20000-EH	20000 x 100 lb	26-5/16 in (668 mm)
WT12-00500K-EH	500 x 2 kg	19-13/16 in (503 mm)
WT12-01000K-EH	1000 x 5 kg	19-13/16 in (503 mm)
WT12-02000K-EH	2000 x 10 kg	19-13/16 in (503 mm)
WT12-05000K-EH	5000 x 20 kg	26-5/16 in (668 mm)
WT12-10000K-EH	10000 x 50 kg	26-5/16 in (668 mm)

With Swivel Hook

Model	Capacity	Length
WT12-00500-SH	500 x 2 lb	21-1/2 in (546 mm)
WT12-01000-SH	1000 x 5 lb	21-1/2 in (546 mm)
WT12-02000-SH	2000 x 10 lb	21-1/2 in (546 mm)
WT12-05000-SH	5000 x 20 lb	21-1/2 in (546 mm)
WT12-10000-SH	10000 x 50 lb	28-3/8 in (721 mm)
WT12-20000-SH	20000 x 100 lb	28-3/8 in (721 mm)
WT12-00500K-SH	500 x 2 kg	21-1/2 in (546 mm)
WT12-01000K-SH	1000 x 5 kg	21-1/2 in (546 mm)
WT12-02000K-SH	2000 x 10 kg	21-1/2 in (546 mm)
WT12-05000K-SH	5000 x 20 kg	28-3/8 in (721 mm)
WT12-10000K-SH	10000 x 50 kg	28-3/8 in (721 mm)

Dimensions



Dimensions with Shackles

Capacity		A	B	C	D	E	F	G	H
500 - 5000	(inch)	13-1/4	12	1-11/16	3	11-3/4	3-1/8	4-9/16	5/8
	(mm)	337	305	43	76	298	79	116	16
10,000 - 20,000	(inch)	15	13-1/4	1-7/16	3-1/4	11-3/4	3-1/8	4-3/4	7/8
	(mm)	381	337	37	83	298	79	121	22

Accessories

Part No.	Description
13400	Eye Hook (500 - 5000 lb)
13401	Eye Hook (10,000 - 20,000 lb)
13404	Swivel Hook (500 - 5000 lb)
13405	Swivel Hook (10,000 - 20,000 lb)
20548	Carrying Case, Metal

Notes:
 Dynamometers with "EH" come standard with Eye Hook.
 Dynamometer with "SH" come standard with Swivel Hook.
 Carrying Case must be ordered separately.



Optional Carrying Case



Eye Hook - EH



Swivel Hook - SH



TEST AND CALIBRATION INSTRUMENTS

Americas
 AMETEK TCI Division
 8600 Somerset Drive
 Largo, Florida 33773
 United States of America
 Tel +1-727-536-7831
 Tel +1-800-527-9999
 Fax +1-727-539-6882
 Email chatillon.fl-har@ametek.com

France
 AMETEK Lloyd Instruments SAS
 3 avenue des Coudriers
 Zone d'Activite de l'Observatoire
 78180 Montigny-Le-Bretonneux
 France
 Tel +33-1-3057-4774
 Fax +33-1-3057-5033
 Email general@lloyd-instruments.com

Germany
 AMETEK GmbH
 Rudolf-Diesel-Strasse 16
 D-40670 Meerbusch
 Germany
 Tel +49-0-2159-9136-70
 Fax +49-0-2159-9136-80
 Email apie@ametek.dr

Singapore
 AMETEK Singapore Pvt. Ltd.
 10 Ang Mo Kio Street 65
 #05-12 Techpoint
 Singapore 569059
 Tel +65-484-2388
 Fax +65-481-6588
 Email aspl@ametek.com.sg

United Kingdom
 AMETEK Lloyd Instruments Ltd.
 Forum House, 12 Barnes Wallis Rd
 Segensworth East
 Fareham
 Hampshire PO15 5TT
 United Kingdom
 Tel +44-0-1489-574221
 Fax +44-0-1489-885118
 Email uk-far.general@ametek.co.uk

Visit Us on the Worldwide Web at:
www.chatillon.com

© 2004 by AMETEK, Inc.

Information within this document is subject to change without notice.

ISO 9001/2000
 Manufacturer

For the authorized Chatillon Distributor or Manufacturer's Representative near you, go to www.chatillon.com