

Project:

Type:

Notes:

AVERE® 4 PAR CAN

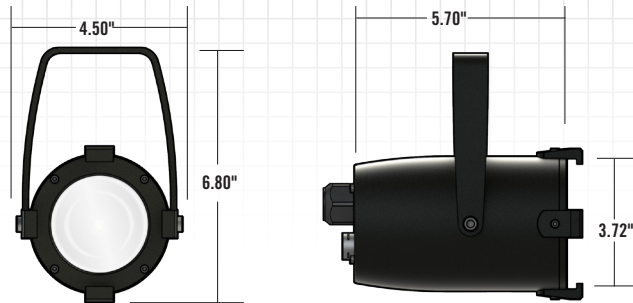
Unique Lighting Solutions

The AVERE® 4 PAR 20 is proudly built in the U.S.A. from machined aircraft-grade aluminum. The fixture delivers flexibility with the ability to use any standard or wireless PAR 20 bulb, the option of an Edison or GU24 base, and the IP65, UL Outdoor Rating. This versatility plus the superior build quality sets this striking fixture apart.

Our lighting experts and engineers will consult with you on ways to use our standard products or design custom solutions. Let our team help you create the design you envisioned. **Together we can make great things.**



AVERE® 4 PAR CAN



Weight: 3.0 lbs.

SORAA 2700: 25° Beam

Distance Feet (m)	3 (0.91)	6 (1.82)	9 (2.73)	12 (3.65)	15 (4.57)
Beam Diameter Feet (50% FWHA)	1.3	2.7	4.0	5.3	6.7
Output LUX	3,417	861	369	215	123

All information is based on featured bulb. Bulbs priced separately.

Fixture Features:

- PAR 20
- Base: E26 Screw or GU24 Pin
- Max Bulb: 20W
- Composite Back Plate for Wireless Control of Bulbs
- IP65; UL Outdoor Rated, Locations 4 and 6 – Suitable for Mount Within 1.2m of Ground
- Stainless Steel Hardware
- Machined Aircraft-grade Aluminum Housing
- Custom RAL Colors and Housing Design Available

Bulb Features:

- SORAA
- Beam: 25°
- Color Rendering Index: 95
- Lumens: 500
- Power Consumption: 11W
- Flicker Free

