

AVERE[®] 3WASH

MR16

Unique lighting solutions.



 AVID LABS[®]

Table of Contents

Introduction	2
Product Description	2
Safety Information	3-8
General Advice	4
Protection from Eye Injury	4
Protection from Electric Shock.....	5
Protection from Fire	6
Protection from Injury And Damage	7
Environmental Advice.....	7
Functional Advice.....	8
Technical Information	9
Secure Mounting	10-11
Install Replacement /New Bulb	12
AC Power Connection	13
Maintenance	13
Warranty	13

Introduction

Congratulations on the purchase of your new AVERE® 3 Wash-MR16 fixture.

Our company's name is especially apt. We truly are avid designers, engineers and machinists – innovators constantly striving to create the best products possible with the utmost appreciation for clean design and solid execution.

The AVERE® 3 Wash-MR16 fixture is proudly built in the U.S.A. from machined aircraft-grade aluminum. Simplicity of use, flexibility, build quality and overall functionality make us confident you have made the right choice in LED fixtures.

Our lighting experts and engineers will consult with you on ways to use our standard products or design custom solutions. Let our team help you create the design you envisioned. **Together we can make great things.**



Joel Nichols, Owner/CEO
AVID Labs, LLC

Product Description

The AVERE® 3 Wash-MR16 is an is **IP65, UL Outdoor Rated (PENDING)** LED fixture designed for ease of use and future compatibility including bulb replacement. The fixture is designed for indoor and outdoor use in architainment, theatrical, commercial, retail, residential and architectural environments.

Safety Information

The following symbols are used in this document:



WARNING! Read manual before installation, operation or servicing.
MISE EN GARDE ! Lire le manuel avant l'installation, de fonctionnement ou de réparer.



WARNING! Safety hazard. Risk of injury or death.
MISE EN GARDE ! Danger pour la sécurité. Risque de blessure ou de mort.



WARNING! Hazardous voltage. Risk of severe or fatal electric shock.
MISE EN GARDE ! Tension dangereuse. Risque d'électrocution grave, voire mortelle.



WARNING! Shock hazard. Equipment must be properly grounded.
MISE EN GARDE ! Risque d'électrocution. Équipement doit être correctement mise à la terre.



WARNING! Hot surface. Risk of skin burn or skin irritation.
MISE EN GARDE ! Surface chaude. Risque de brûlures ou d'irritation de la peau.



WARNING! Fire hazard.
MISE EN GARDE ! Risque d'incendie.



WARNING! Light emission. Risk of eye injury.
MISE EN GARDE ! Émission de lumière. Risque de blessure aux yeux.

Safety Information



GENERAL ADVICE

1. Read this manual completely before using the product.
2. Keep this manual with your records for future reference.
3. Follow all instructions printed in this manual, otherwise warranty may become void.
4. Follow all printed security advice on the device.
5. The manufacturer takes no responsibility for injury or damage caused by not following the safety precautions and instructions printed within this manual and on the device.
6. Handle the unit with care. Dropping or heavy vibration may damage the unit mechanically and/or electrically.



PROTECTION FROM EYE INJURY

1. Warning: Depending on the configuration of the device, this device reaches the limits of IEC/EN62471 Group 2 and may extend into Group 3 depending upon exposure.

Avertissement: Selon la configuration de l'appareil, cet appareil atteint les limites de IEC/EN62471 groupe 2 et peut s'étendre dans le groupe 3 en fonction de l'exposition.

2. To avoid eye injury, do not look into the beam for long durations.

Pour éviter les blessures aux yeux, ne regardez pas le faisceau pour de longues durées.

3. Do not view the beam directly with optical instruments such as magnifiers, telescopes, binoculars or similar optical instruments that may concentrate the light output.

Ne pas regarder le faisceau directement avec des instruments optiques tels que loupes, télescopes, jumelles ou instruments d'optique similaires qui peuvent concentrer le flux lumineux.

4. Ensure no one is accidentally exposed to the light beam from short distances.

A'assurer que personne n'est exposé accidentellement à faisceau lumineux de courtes distances.

Safety Information



PROTECTION FROM ELECTRIC SHOCK

1. Only connect this unit to a mains socket outlet with a protective earth connection, ground-fault (earth-fault) and overload protection.
Ne branchez cet appareil sur une prise de courant avec une prise de terre protectrice, défaut à la terre (défaut à la terre) et protection contre les surcharges.
2. When removing the AC power cord from an AC power outlet, grip the plug. Never pull on the cable only.
Pour retirer le cordon d'alimentation dans une prise secteur, saisir la fiche. Ne tirez jamais sur le câble seulement.
3. Disconnect the unit from AC power before cleaning. Use smooth and dry cloth only.
Débranchez l'appareil de l'alimentation secteur avant de le nettoyer. Utilisez un chiffon doux et sec.
4. Do not submerge the unit in liquid.
Ne pas immerger l'appareil dans un liquide.
5. Choose the position of the AC cord according to the lowest risk of damage by foot traffic or crushing, such as from rolling equipment.
Choisir la position du cordon AC selon le plus faible risque de dommages causés par la circulation à pied ou d'écrasement, à partir de matériel laminage.
6. Do not open the rear of the unit for service. The warranty will be void in any case of unauthorized service by the user or other unauthorized persons.
Ne pas ouvrir l'arrière de l'appareil pour le service. La garantie sera annulée en tout cas de service non autorisé par l'utilisateur ou d'autres personnes non autorisées.

Safety Information



PROTECTION FROM FIRE

1. Do not place the unit near sources of heat (e.g. powerful amplifiers, fog machines).
Ne pas placer l'appareil près de sources de chaleur (par ex. puissants amplificateurs, machines à fumée).
2. Allow at least 6" (15cm) between this unit and other devices or walls to allow for proper cooling.
Laissez au moins 6" (15cm) entre cet appareil et autres dispositifs ou les murs pour permettre un refroidissement adéquat.
3. Keep the unit at least 30" (76cm) away from any flammable materials.
Maintenez l'appareil au moins 30" (76cm) de tout matériau inflammable.
4. Do not attach gel or diffusion directly to the bulb. Use the mounting ring provided and an appropriate gel holder.
Ne pas fixer de gel ou la diffusion directement à l'ampoule. Utiliser les clips de montage fournis et titulaire d'un gel approprié.
5. To avoid overloading power, check the total maximum power of your AC wall outlet. The unit is marked with line voltage.
Pour éviter une surcharge électrique, vérifiez la puissance maximale totale de votre prise murale. L'unité est indiquée avec tension de la ligne.
6. Use only approved MR16, Max 10W bulbs in the fixture.
Utilisez MR16 ampoules 10W Max agréés dans le luminaire.
7. For bulb change; remove 4 front screws, screw in new bulb, reattach front by tightening screws. To avoid additional pressure on the glass, tighten screws in a diagonal pattern (opposites sides). Refer to page 12 for torque sequence.
Pour le changement de l'ampoule; retirer 4 vis avant, vis dans la nouvelle ampoule, rattacher l'avant par des vis de serrage. Pour éviter une pression supplémentaire sur le verre, serrer les vis en diagonale (Opposites côtés). Reportez-vous à la page 12 pour la séquence de couple.
8. Change bulb at ground level.
Changement ampoule au niveau du sol.

Safety Information



PROTECTION FROM INJURY AND DAMAGE

1. Never use any accessories or modifications not authorized by the manufacturer of this unit.

Ne jamais utiliser des accessoires ou des modifications non autorisées par le fabricant de cet appareil.

2. Choose a location for operation where the unit is protected from vibration and where a fixed mounting position is provided. In case of overhead mounting, follow applicable rigging rules and regulations for rigging safety, including the use of an approved safety cable.

Choisissez un emplacement pour l'opération où l'appareil est protégé des vibrations et où une position de montage fixe est fournie. En cas de surcharge-montage, suivez le gréement applicable règles et règlements pour le gréement de sécurité, y compris l'utilisation d'un câble de sécurité approuvé.

3. The unit must be mounted from the bracket using a suitable C-clamp or fixed 3/8" anchor bolt. The anchor bolt must be installed in accordance with manufacturer guidelines. The unit must NOT be suspended from the power cord.

L'appareil doit être monté à partir du support à l'aide d'une pince C ou d'un boulon d'ancrage fixe de 3/8 po. Le boulon d'ancrage doit être installé conformément aux directives du fabricant. L'appareil NE doit PAS être suspendu du cordon d'alimentation.

4. Except for bulb replacement, this unit has no user serviceable parts. If service is required, return the unit to the manufacturer for service.

Sauf pour le remplacement de l'ampoule, cette unité ne contient aucune pièce réparable par l'utilisateur. Si une réparation est nécessaire, retournez l'appareil au fabricant pour réparation.



ENVIRONMENTAL ADVICE

It is highly recommended that North American users follow environmentally safe disposal/recycling practices.

Safety Information



FUNCTIONAL ADVICE

Bulbs should comply with the limits for a Class B digital device, pursuant to part 15 of the FCC Rules. These limits are designed to provide reasonable protection against harmful interference in a residential installation.

This equipment generates, uses and can radiate radio frequency energy and, if not installed and used in accordance with the instructions, may cause harmful interference to radio communications. However, there is no guarantee that interference will not occur in a particular installation.

If this equipment does cause harmful interference to radio or television reception, which can be determined by turning the equipment off and on, the user is encouraged to try to correct the interference by one or more of the following measures:

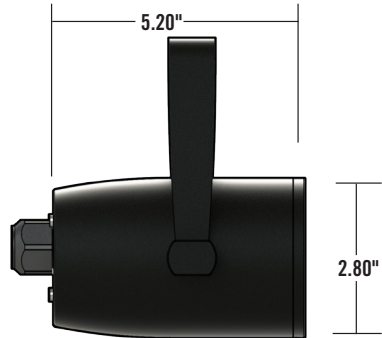
- Reorient or relocate the receiving antenna.
- Increase the separation between the equipment and receiver.
- Connect the equipment into an outlet on a circuit different from that to which the receiver is connected.
- Consult the dealer or experienced radio/TV technician for help.

Changes or modifications not expressly approved by the party responsible for compliance could void the user's authority to operate the equipment.

Technical Information

Total Max Output lm	Bulb Dependent
Drive Engine (Bulbs)	1 x MR16, Max 10W Bulb
Mains Input	AC120 ~ 60Hz
Power Consumption	Max 10W; Bulb Dependent
Base	GU10 Pin
Power Cord	6' – 120V SJEOW Outdoor Cable – 5-15 NEMA Plug*
Dimensions WxDxH	5.20" x 2.80" x 5.30" (132mm x 71mm x 135mm)
Mounting Hole	1 ⁷ / ₃₂ "
Weight	XX lbs (XXkg)
IP Rating	IP65; UL Outdoor Rated, Locations 4 & 6; Mounted Within 1.2m of Ground
UL Listed U.S.A. and Canada	E-File E477642 (for GU10 Base)

* Plug not outdoor rated.



Secure Mounting

The AVERE® 3 Wash-MR16 fixture should be mounted using the mounting hole in the yoke. A suitable mounting clamp (sold separately) should be used.

HANGING/RIGGING, CEILING MOUNTED OPERATION



RISK OF INJURY: Overhead mounting requires extensive experience, including, among others, calculating working load limits, good knowledge of the installation material being used, and periodic safety inspection of all installation material and the unit. If you lack such qualifications, do not attempt the installation yourself. Improper installation can result in injury. Be sure to complete all rigging and installation procedures before applying power to the unit.

RISQUE DE BLESSURES: *frais généraux installation requiert une grande expérience, y compris, entre autres, calcul des limites de charge de travail, la bonne connaissance du matériel installation utilisé et inspection périodique sur la sécurité de tous les matériels d'installation et de l'unité. Si vous n'avez pas ces qualifications, ne tentez pas l'installation vous-même. Une installation incorrecte peut causer des blessures. N'oubliez pas de remplir toutes les procédures de montage et d'installation avant la mise sous tension de l'appareil.*

- Use the yoke supplied or bracket mount with ground source.
Utilisez la fourche fournie ou le support de support avec la source au sol.
- The unit should be installed out of reach of people and outside of areas where persons may walk by or be seated.
L'appareil doit être installé de rejoindre des gens et en dehors des zones où les personnes peuvent marcher ou s'assis.
- Make sure that the installation area can hold a minimum point load of 5 times the unit's weight.
Assurez-vous que la surface de l'installation peut supporter une charge de point minimum de poids de l'unité 5 fois.
- In fixed installations, attach the unit with self-locking screws/nuts to the mounting point.
En installations fixes, de fixer l'unité avec des vis/écrous auto-bloquants sur le point d'ancrage.
- When mounting the unit to truss, be sure to secure an appropriately rated clamp to the yoke through the mounting hole.
Lors du montage de l'unité à poutre en treillis, veillez à garantir une pince de calibre approprié à l'arcade à travers le trou de montage.

Secure Mounting

- Check the M6 socket head cap screws that attach the yoke to the fixture to ensure they are not loose.

Vérifiez la prise M6 vis à tête qui fixent le joug de l'appareil pour vous assurer qu'ils ne sont pas lâches.

- Always use a certified safety cable suitable for the weight of the unit. This secondary safety attachment should be installed in a way that no part of the unit can drop and cause injury or damage if the main attachment fails.

Toujours utiliser un câble de sécurité certifié adapté au poids de l'appareil. Cet accessoire de sécurité secondaire doit être installé de façon qu'aucune partie de l'unité peut tomber et blesser ou endommager si la fixation principale échoue.

- Never stand directly below the device when mounting, removing, or servicing the fixture.

Ne vous tenez pas directement sous l'appareil lors du montage, retrait ou entretien de l'appareil.

- The installation should be inspected every 6 months or more frequently if deemed necessary. Inspection should be performed by a skilled person to ensure safety.

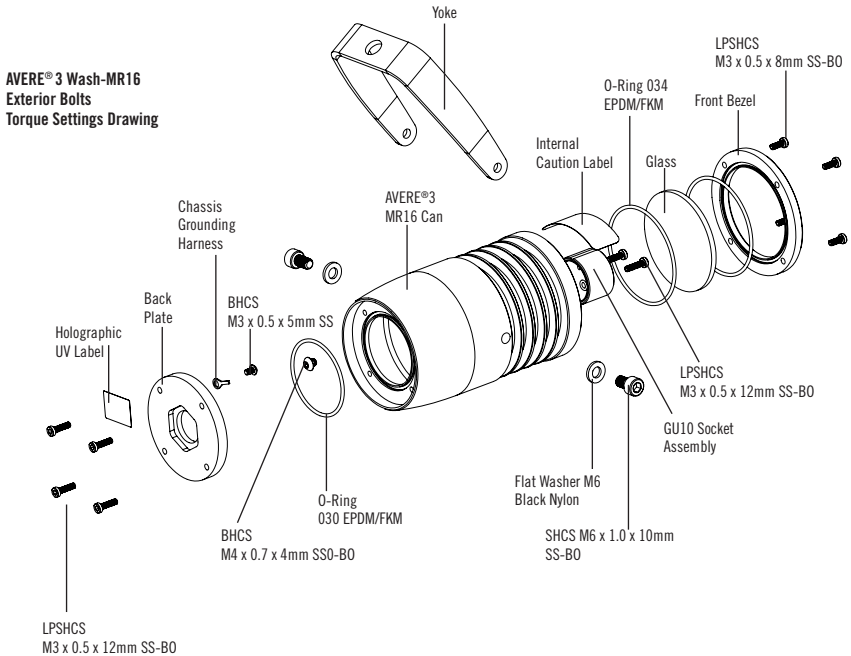
L'installation devrait être inspecté tous les 6 mois ou plus fréquemment s'il le juge nécessaire. Inspection doit être effectuée par une personne compétente pour assurer la sécurité.

- Ensure all knobs are fully tightened.

Veiller à ce que tous les boutons sont bien serrés.

Install Replacement /New Bulb

- Loosen the front four bolts by twisting 1 full turn (counter clockwise)
- Fully loosen all four bolts and remove ring
- With care remove the front glass
- Install the GU10 (model depending) bulb, Max 10 Watts
- Place the glass on the o-ring
- Place front cover in position(ensure open side single o-ring is correctly installed)
- Lightly finger tighten the front screws to hold the front cover and o-ring in position
- Begin torque sequence for the front four bolts:
 - Lightly tighten (use an allen wrench and move bolt until resistance is felt) bolts in 2 stages working in diagonals, start with bottom left and top right, move to bottom right and top left
 - REPEAT this sequence until all bolts reach a torque setting of 6 In-Lbs.
 - Ensure the gap between body and front cover is no more than 0.75mm (0.03"). If a larger gap is present, repeat sequence above until gap is less than 0.75mm (0.03")



AC Power Connection

The AVERE® 3 Wash-MR16 fixture can be used on 120V supplies.

RISK OF FIRE / SAFETY RISK



The fixture requires an AC power source with sufficient power carriage and correct grounding to ensure safe operation. The AC power source must be equipped with a circuit breaker. Make sure to only use compliant AC supply lines. Note: Some bulbs are not dimmable. Check with bulb manufacturer before dimming.

Le montage nécessite une source d'alimentation secteur avec chariot de puissance suffisante et correcte mise à la terre pour assurer la sécurité. La source d'alimentation en courant alternatif doit être équipé d'un disjoncteur. Assurez-vous de ne utiliser que les lignes d'alimentation AC conformes. Remarque: Certaines ampoules ne sont pas à intensité réglable. Vérifiez avec le fabricant de l'ampoule avant de gradation.

Maintenance

This device does not need regular maintenance. If the unit fails to operate, return the unit to your manufacturer for service.

Cet appareil ne nécessite pas d'entretien régulier. Il l'appareil ne fonctionne pas, renvoyez-le à le fabricant pour le service.

Warranty

Items are covered for defects in materials and workmanship for five years, including repair parts and repair labor on defective item, from date of the manufacturer invoice. The warranty covers freight for 30 days after initial purchase. the manufacturer does not cover any other loss resulting from product failure. Products being returned for warranty repair must display the original serial number. Removal of the serial number voids the product's limited warranty. Defects contributed to incorrect torque settings during user install are not covered by the warranty. Bulbs are not included in this 5-year warranty.



AVERE[®] 3 WASH
MR16



4121 Fourier Road • Fort Wayne, IN 46818
260.969.9225
AVIDLabs.com

