

Project:

Type:

Notes:



AVERE® 3 WASH MR16

Unique Lighting Solutions

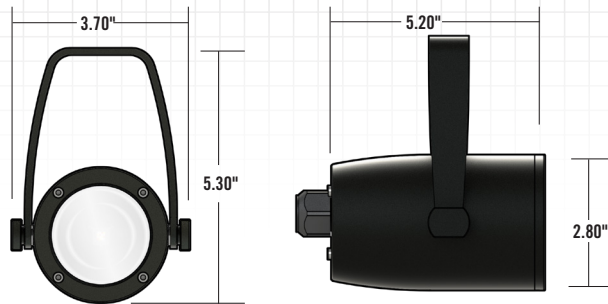
The AVERE® 3 MR16 fixture is proudly built in the U.S.A. from machined aircraft-grade aluminum. The compact IP65, UL Outdoor Rated fixture will accept any standard MR16 bulb. These features plus the superior build quality set this striking fixture apart.

Our lighting experts and engineers will consult with you on ways to use our standard products or design custom solutions. Let our team help you create the design you envisioned. **Together we can make great things.**



AVERE[®] 3 WASH

MR16



SORAA MR16: 10° Beam

Distance Feet (m)	3 (0.91)	5 (1.52)	10 (3.05)	12 (3.65)	15 (4.57)
Beam Diameter Feet (50% FWHA)	0.50	1.00	1.60	2.10	2.60
Output LUX	666	168	72	42	24

All information is based on featured bulb. Bulbs priced separately.

Fixture Features:

- MR16
- Base: GU10 Pin
- Max Bulb: 20W
- IP65; UL Outdoor Rated, Locations 4 and 6 – Suitable for Mount within 1.2m of Ground
- Stainless Steel Hardware
- Machined Aircraft-grade Aluminum Housing
- Custom RAL Colors and Housing Design Available

