

Project:

Type:

Notes:



AVERE® 3 PAR CAN

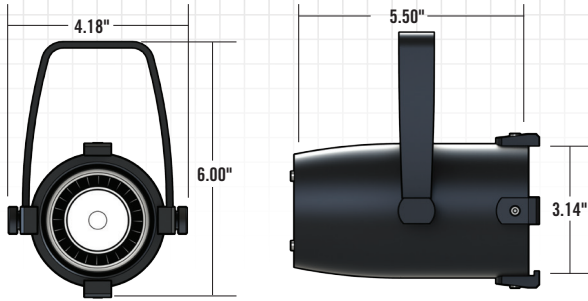
Unique Lighting Solutions

The AVERE® 3 PAR 20 gimbal fixture is proudly built in the U.S.A. from machined aircraft-grade aluminum. This UL listed fixture is track light compatible and available with either an Edison or GU24 base. Versatility, flexibility, and superior build quality are just a few of the features that set this striking fixture apart.

Our lighting experts and engineers will consult with you on ways to use our standard products or design custom solutions. Let our team help you create the design you envisioned. **Together we can make great things.**



AVERE® 3 PAR CAN



Weight: 2.0 lbs.

SORAA 2700: 25° Beam

Distance Feet (m)	3 (0.91)	6 (1.82)	9 (2.73)	12 (3.65)	15 (4.57)
Beam Diameter Feet (50% FWHA)	1.3	2.7	4.0	5.3	6.7
Output LUX	3,417	861	369	215	123

All information is based on featured bulb. Bulbs priced separately.

Fixture Features:

- PAR 20
- Base: E26 Screw or GU24 Pin
- Max Bulb: 40W
- Track Light Compatible Options
- UL Listed
- Stainless Steel Hardware
- Machined Aircraft-grade Aluminum Housing
- Custom RAL Colors and Housing Design Available

Bulb Features:

- SORAA
- Beam: 25°
- Color Rendering Index: 95
- Lumens: 500
- Power Consumption: 11W
- Flicker Free

