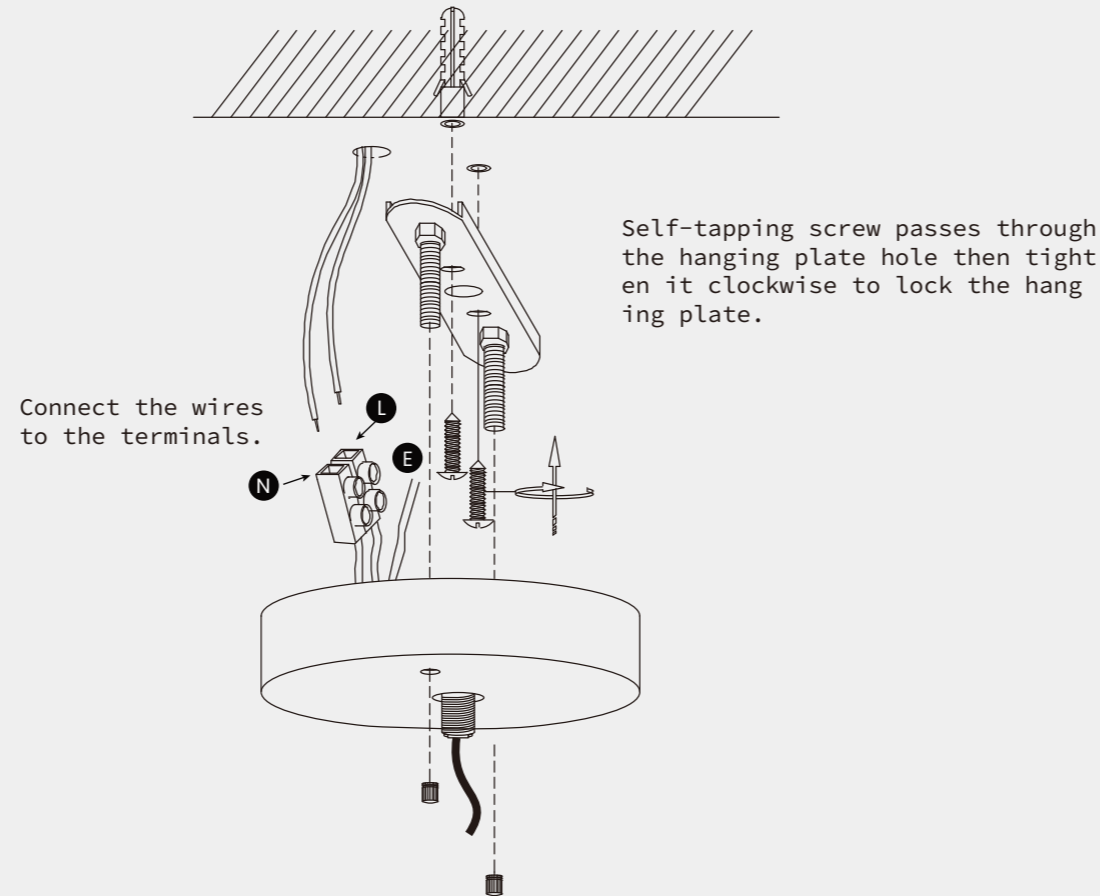


Bubble Creamy Persimmon  
Glass Chandelier

PL0593

1

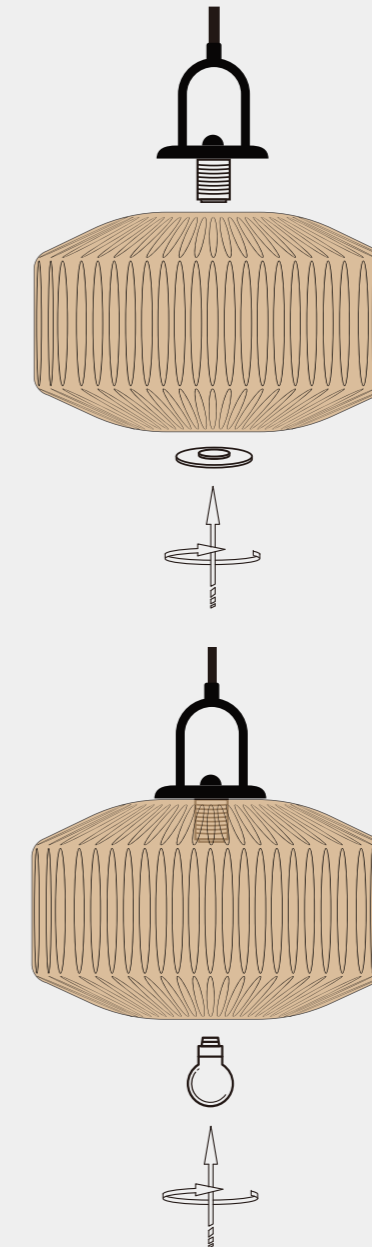


### THE LAMP INSTRUCTION



Nbjoufobodf	Qsfdbvujpot
2/Wpmubhf;221.351W	Lffq!uif!mjhiujoh!bxbz!gspn!bdjemd!difnjdbm!tpmwfout!up!bwpjelebnbhf/
3/Qmfbtf!xfbs!hmpwft!xifo!jotubmm/	Ujq
4/Epo(u;jotubmm!ju!po!uif!npjtu!dfjmjoh/	Qmfbtf!gpmmpx!uif!jotusvdujpot!uifo!jotubmm!uif!qbsut!jjo
5/Uvso!pgg!uif!qpxfs!cfgps!dmfbojoh!pvu/	uif!dpssfdu!psefs/
6/Qmfbtf!xbit!xju!uif!tbojuj!fs!xjuipvu!dpssptjwjuj/	

2



1  
Fix the lampshade with the locking plate.

2  
Insert the bulb.