

Part of the  
Whitesales Group



[www.rynogroup.co.uk](http://www.rynogroup.co.uk) 01358 726000



**RYNO**  TerraceDeck™



## GROUND-BREAKING FINISHING SYSTEMS

Ryno is an innovative company, bringing ground-breaking finishing solutions to the construction sector. Every product within the Ryno family is designed to make life easier, safer and better for you.

Not only do we help you meet day-to-day challenges, but we're always looking ahead to develop breakthrough products that revolutionise the industry.

As long as there are challenges out there, Ryno will meet them head-on, with clever solutions that you'll love.

Any questions?  
Give us a call on **01358 726000**  
or email us at [sales@rynogroup.co.uk](mailto:sales@rynogroup.co.uk)



**RYNO** TerraceDeck **PAGE 4**

**MicroTerrace**™ **PAGE 6**

**MidiTerrace**™ **PAGE 8**

**UltraTerrace**™ **PAGE 10**

**Signature Deck Boards** **PAGE 12**

**Classic Deck Boards** **PAGE 14**

**Aluminium Decking Joist** **PAGE 16**

**Support Systems** **PAGE 18**

**Our range of complete decking systems allow for efficiency and ease at every stage.**

Stylish, sturdy composite decking is paired with the high-performance support systems we are best known for, allowing you to deliver beautiful terrace spaces with real longevity, in as little time as possible.

Contact our sales team and tell us your height build up, to allow us to fit you out with the system that's right for you.

- Quick to install
- Easy to adjust
- Extremely versatile
- Long lifespan



## MicroTerrace™

**47-72mm height build-up**

The ultimate low-height decking solution.

PAGE 6



## MidiTerrace™

**70-103mm height build-up**

The ideal system for most applications, with a height build-up of 70-103mm.

PAGE 8



## UltraTerrace™

**104-1097mm height build-up**

The ultimate decking solution, with massive height variability and unbeatable strength and longevity.

PAGE 10



## MicroTerrace™

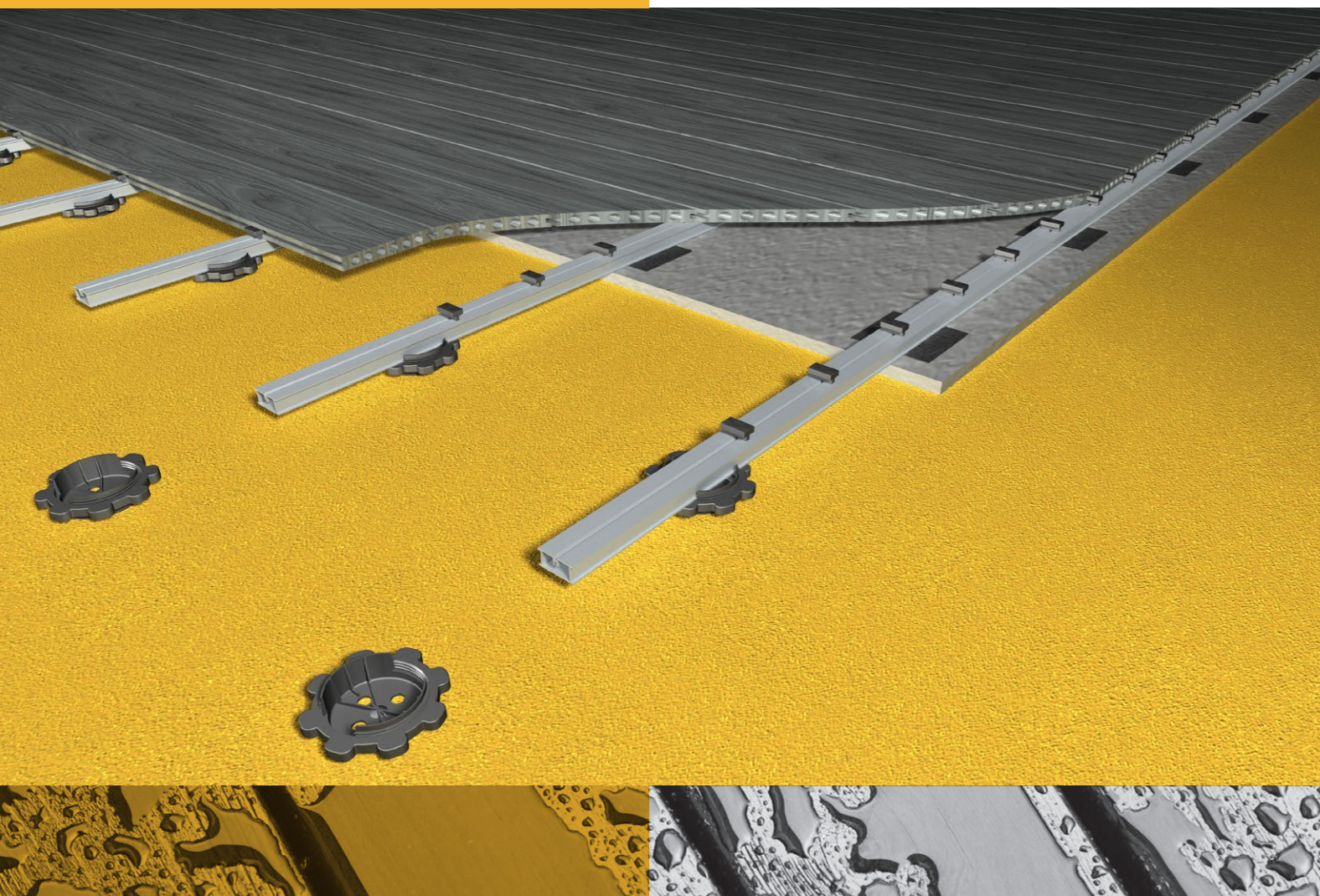
47-72mm height build-up

We created MicroTerrace™ - the lowest terrace system on the market - so height restrictions don't cause compromises when it comes to creating beautiful terrace spaces.

- Unbeatable strength at the lowest possible height
- Ideal for low door thresholds
- Perfect for balconies
- Simple design, rapid installation



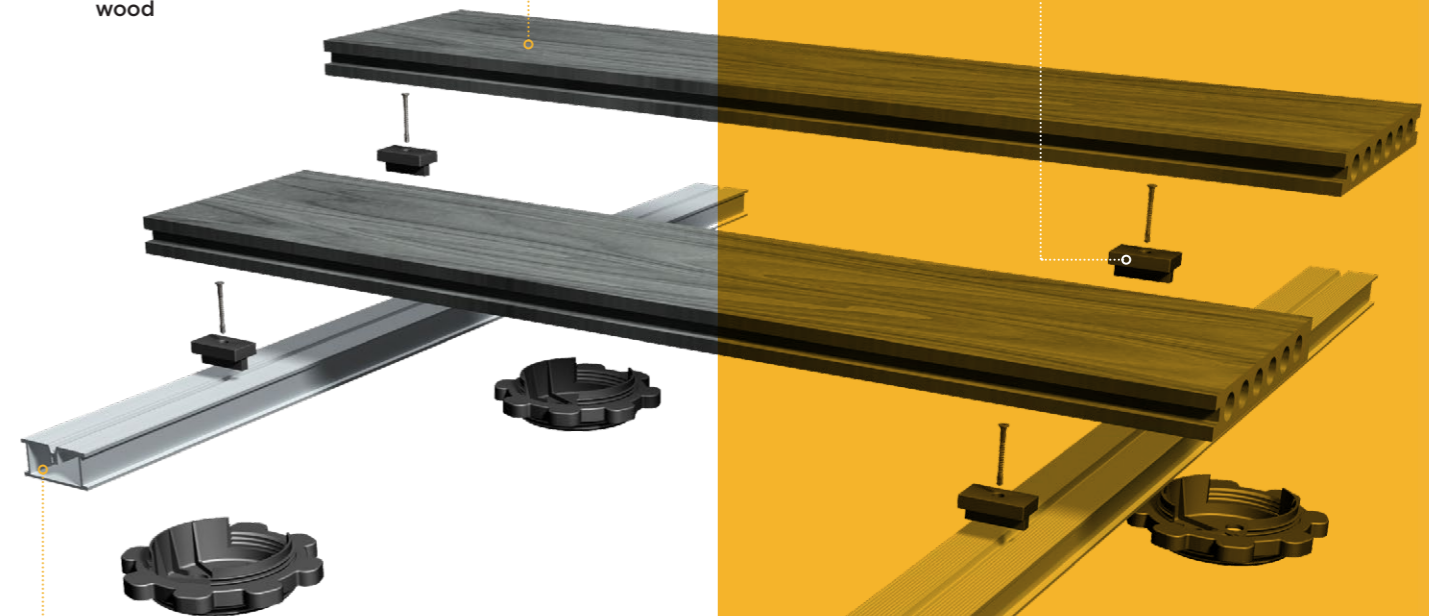
MicroTerrace total height build-up



### Composite deck boards

3 finishes and 8 distinctive colour choices available (see pages 12-15)

- Long-lasting: will not rot, warp or twist
- Non-slip and splinter-proof
- No need to treat or stain
- Manufactured from FSC® certified wood



### DS22 Aluminium Decking Joist

The lowest self-supporting joist on the market, the Ryno 22mm aluminium joists have a greater strength-to-size ratio than traditional timber or composite joists, imposing less weight on supporting roof structures.

- Continuous fixing channel designed to offer optimum fixing strength
- Always completely straight, ensuring perfectly even decking
- Will not warp, twist, splinter or crack
- Available in mill finish or black powdercoated



### Hidden fixings

Plastic T-clip and stainless steel screw make installation fast and simple, creating a 6mm gap between deck boards.

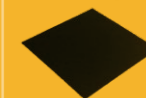


### RDC10-25 Adjustable joist cradle

The lowest ever Ryno joist cradle, designed especially for very low-height applications.

- Allows height to be built up to 25mm
- Easy grip ring allows millimeter perfect adjustment
- Height-adjustable even after joist has been moved into place

For even more minimal height applications, replace cradle with:



**Rubber Support Pad**  
Minimum thickness 3mm

## MidiTerrace™

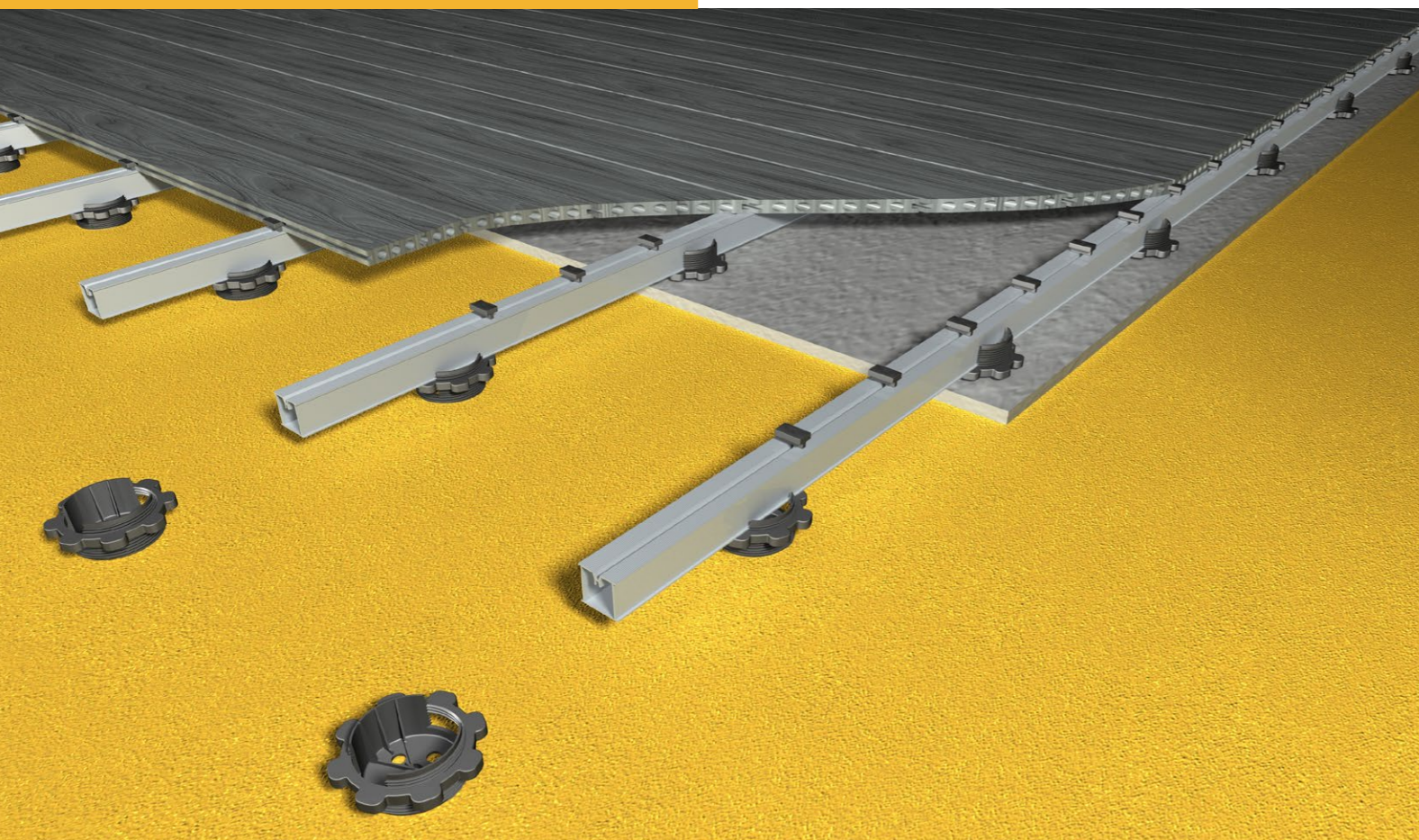
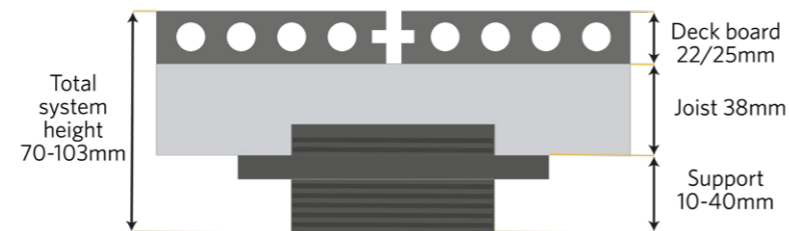
70-103mm height build-up

MidiTerrace™ is the ideal terrace system for most applications, placing the RDC 10-40mm cradle at its foundation, making it.

- Strong and simple to use
- Popular with architects, specifiers and installers alike
- Perfect for balconies, podiums and terraces
- Simple design, rapid installation



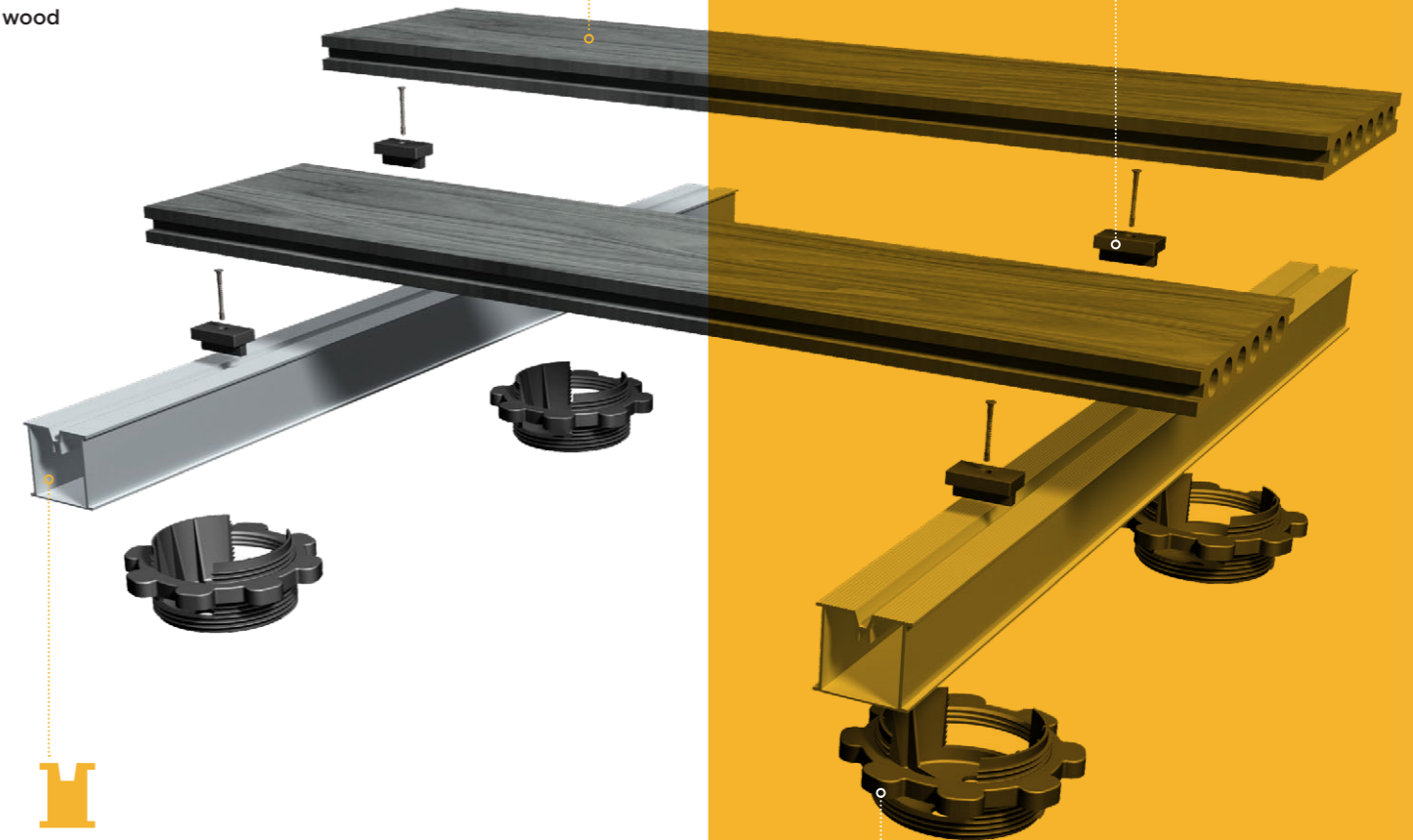
MidiTerrace total height build-up



### Composite deck boards

3 finishes and 8 distinctive colour choices available (see pages 12-15)

- Long-lasting: will not rot, warp or twist
- Non-slip and splinter-proof
- No need to treat or stain
- Manufactured from FSC® certified wood



### DS38 Aluminium Decking Joist

Ryno 38mm aluminium decking joist is super-light, with a greater strength-to-size ratio than both timber and composite joists.

- Continuous fixing channel designed to offer optimum fixing strength
- Always completely straight, ensuring perfectly even decking
- Will not warp, twist, splinter or crack
- Available in mill finish or black powdercoated



### Hidden fixings

Plastic T-clip and stainless steel screw make installation fast and simple, creating a 6mm gap between deck boards.



### RDC10-40 Adjustable Joist Cradle

Popular with architects, specifiers and installers alike, the 10-40mm adjustable joist cradle is fast and simple to install.

- Offers joist support with infinite adjustment between 10-40mm
- Easy grip ring allows millimeter perfect adjustment
- Height-adjustable even after joist has been moved into place

## UltraTerrace™

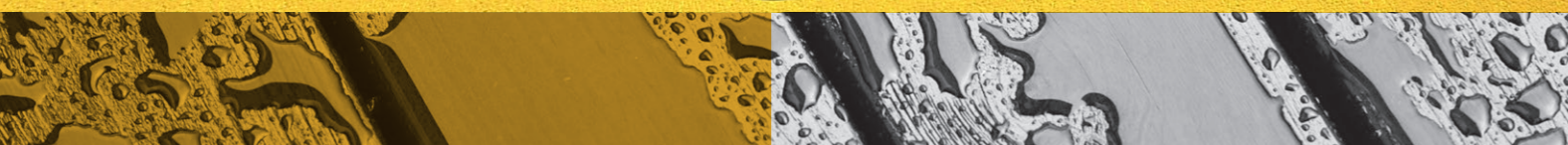
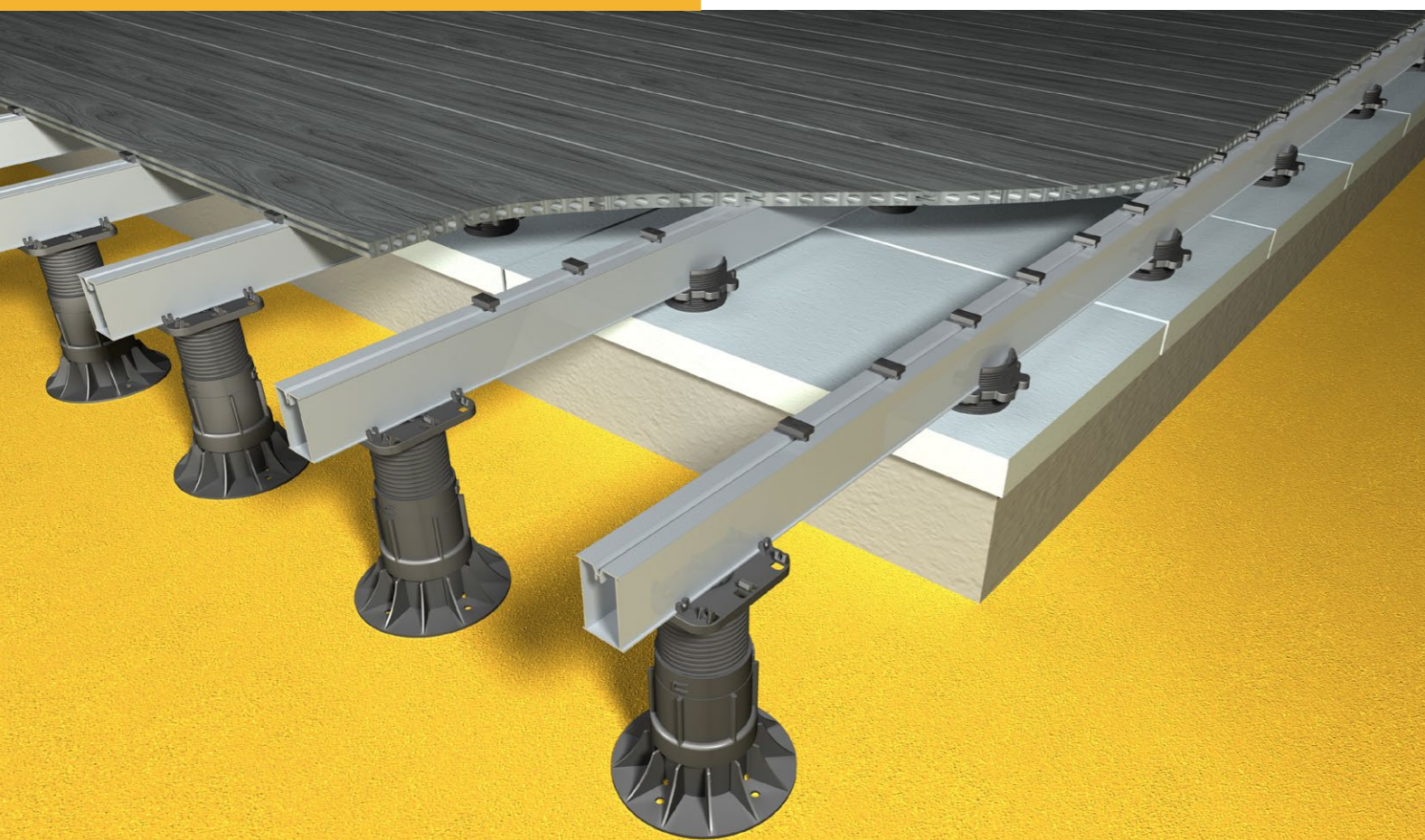
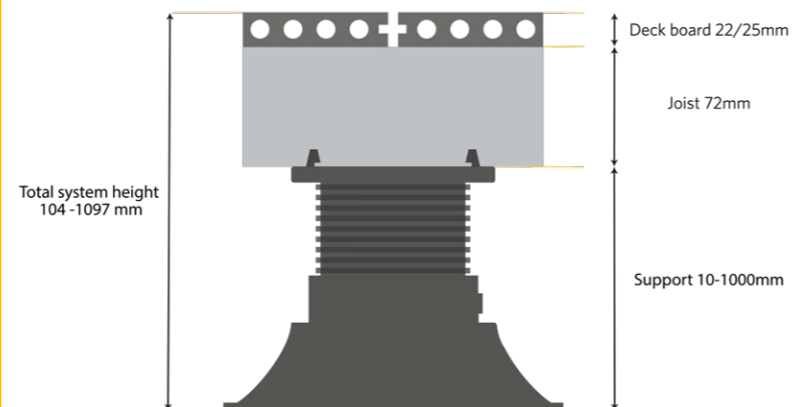
104-1097mm height build-up

UltraTerrace™ is simply put, the ultimate decking solution. All of our highest-spec, market leading products combined.

- Ideal for projects with complex maintenance access requirements such as piping, lighting and services.
- Unparalleled strength and longevity
- Popular with architects, specifiers and installers alike
- Perfect for balconies, podiums and terraces
- Simple design, rapid installation



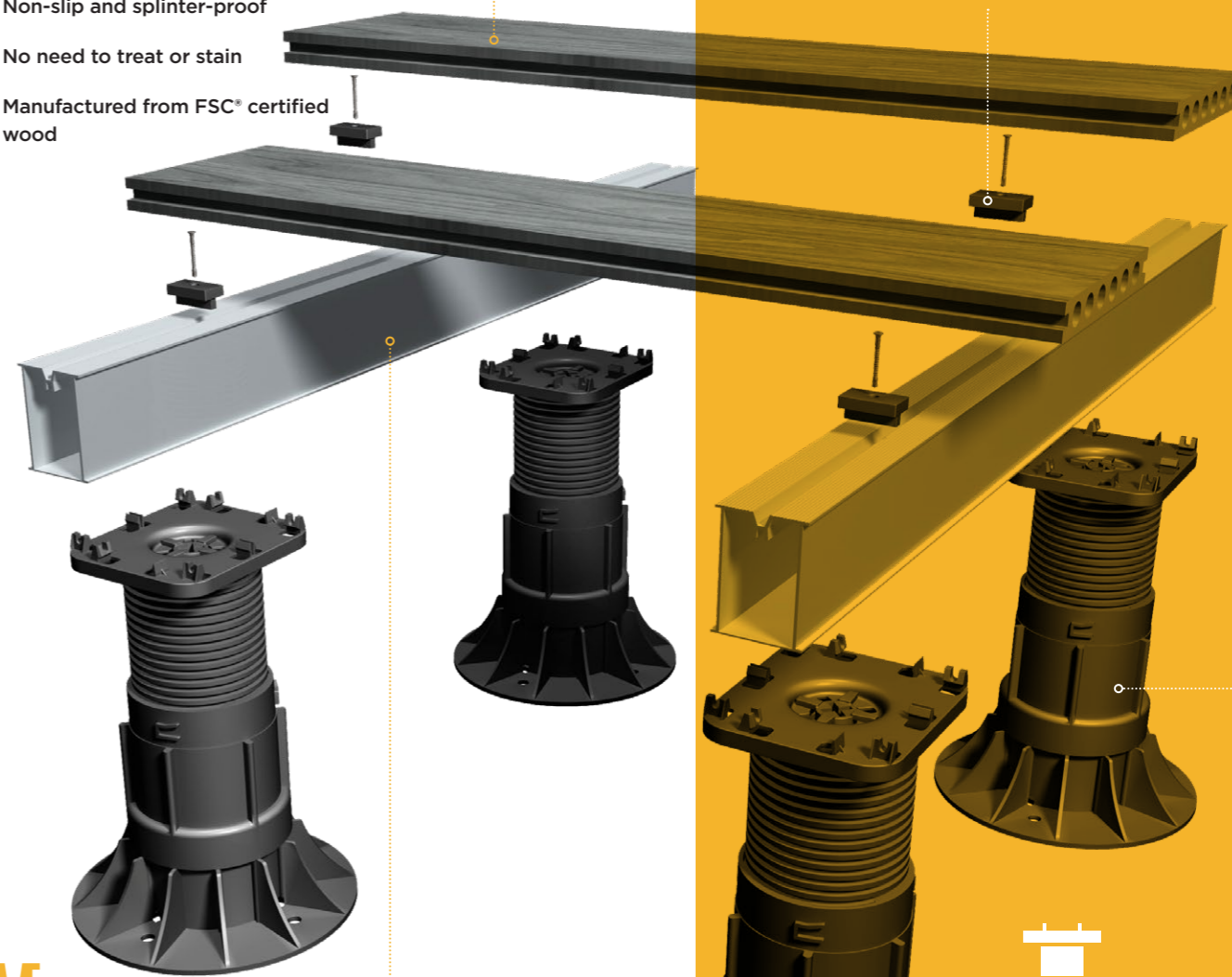
UltraTerrace total height build-up



### Composite deck boards

With 3 finishes and 8 distinctive colour choices available,

- Long-lasting: will not rot, warp or twist
- Non-slip and splinter-proof
- No need to treat or stain
- Manufactured from FSC® certified wood



### Hidden fixings

Plastic T-clip and stainless steel crew make installation fast and simple, creating a 6mm gap between deck boards.



### DS72 Aluminium Decking Joist

The strongest of all Ryno aluminium joists, DS72 aluminium joist is ideal for application with increased height build-up, able to span 1200mm between pedestals for fast, simple install.

- Greater strength-to-size ratio than timber or composite joists
- Continuous fixing channel designed to offer optimum fixing strength
- Always completely straight, ensuring perfectly even decking
- Will not warp, twist, splinter or crack
- Available in mill finish or black powdercoated



### RDAC 'Clip-on' Self-Levelling Adjustable Pedestal

The Unrivaled in its field, the Ryno self-levelling adjustable pedestal offers the highest compressive strength of any pedestal system on the market. It will accommodate even the most complex decking issues- including sloping areas, drainage and maintenance access.



- Joists simply 'click' into place
- Easily accommodates sloping areas of up to 10.5%
- Allows millimeter perfect adjustment



- Wide supporting base evenly spreads load, protecting membranes

## Signature™ Range

Premium wood-grain effect composite decking boards.

- For the look of wood without any of the downsides of timber
- Engineered with plastic cap for maximum possible durability
- Protected from expansion, fading and staining
- Low-maintenance, non-slip and splinter proof

### Deck Board Finishes



### Fixings



### Technical Specifications

Density (ASTM D792-13 Method B)

1.19g/cm<sup>3</sup>

Flexural strength (ASTM D790-10 Procedure A)

34.5MPa

Flexural modulus (ASTM S790-10 Procedure A)

3510MPa

Izod unnotched impact strength (ASTM D4812-11)

88 J/m

Shore hardness (with ref to ASTM D2240-05 2010)

D/70/1

Tensile strength (ASTM D638-14)

24.9MPa

Water absorption (ASTM D570-98 2010)

0.63%

Coefficient of linear thermal expansion (1/C°) (ASTM D696-08)

-30°C-30°C:33.12x10<sup>-6</sup>

Slip resistance (BS7976-2)

PTV (Dry): 62, PTV (Wet): 39

Reaction to fire (EN ISO 3501-1)

C<sub>fl</sub> - s1

### Get started with RynoTerrace

For help with understanding which RynoTerrace system is the right one for your project or for any other guidance, call Ryno on:

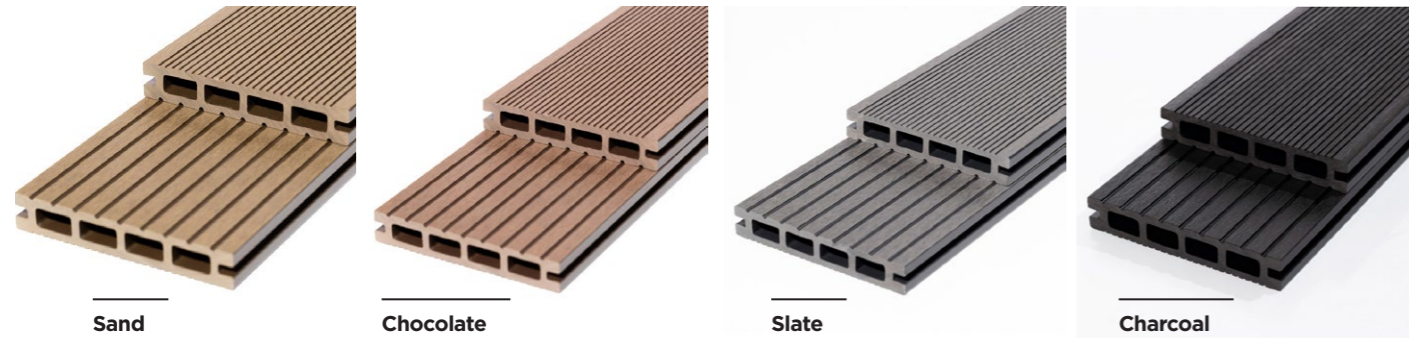
**01358 726000**

## Classic™ Range

Contemporary grooved composite decking boards.

- Ridged, for the quintessential composite look
- Reversible boards, with 2 groove-spacing options
- Low-maintenance, non-slip and splinter proof

### Deck Board Finishes



### Fixings



**DS-SSDS-38**  
Stainless Steel  
3.9 x 38mm  
CK screw for  
Plastic T-Clips

**DS-SSDS-19**  
Stainless Steel  
3.9 x 19mm  
CK screw for  
starter/end Clip

**DS-SSTS-35**  
Stainless Steel  
3.5 x 35mm  
Timber screw for  
Plastic T-Clips

**Starter/End Clip**  
Hidden clip for  
fixing down  
decking to joists

**Plastic T-Clip**  
For fixing down  
decking at start  
and finish of  
decking areas

## Technical Specifications

Density (ASTM D792-13 Method B)

1.33g/cm<sup>3</sup>

Flexural strength (ASTM D790-10 Procedure A)

40.4MPa

Flexural modulus (ASTM S790-10 Procedure A)

5240MPa

Izod unnotched impact strength (ASTM D4812-11)

72 J/m C (Complete break)

Shore hardness (with ref to ASTM D2240-05 2010)

D/72/1

Tensile strength (ASTM D638-14)

25.5MPa

Water absorption (ASTM D570-98 2010)

1.15%

Coefficient of linear thermal expansion (1/C°)  
(ASTM D696-08)

-30°C-30°C:31.85x10<sup>-6</sup>

Slip resistance Narrow Grooves (BS7976-2)

PTV (Dry): 57, PTV (Wet): 43

Slip resistance Wide Grooves (BS7976-2)

PTV (Dry): 56, PTV (Wet): 39

Reaction to fire (EN ISO 3501-1)

C<sub>fl</sub> - s1



### Get started with RynoTerrace

For help with understanding which RynoTerrace system is the right one for your project or for any other guidance, call Ryno on:

**01358 726000**



## Aluminium Decking Joist

Aluminium is the ideal partner for our decking and supports: super-strong and simple to handle.

- Non-combustible, achieving a Class 1 surface spread of flame to BS476: Part 5
- Will not warp, twist, splinter or crack
- Lighter than timber and composite joists, imposing less weight on supporting structures

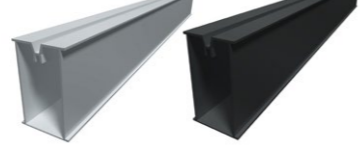
### Joist profiles



**DS22 Aluminium Joist**  
**MicroTerrace™**  
Width: 48mm  
Depth: 22mm



**DS38 Aluminium Joist**  
**MidiTerrace™**  
Width: 48mm  
Depth: 38mm



**DS72 Aluminium Joist**  
**UltraTerrace™**  
Width: 48mm  
Depth: 72mm



**DS-PF**  
Perimeter/Fascia Profile  
Fixes to side of joist to allow vertical fixing of boards where step/fascia detail is required.

Available mill finished or powder coated to RAL 9005

### Connections



**DS-SC**  
Straight Joist Connector



**DS-AC 90**  
Angle Joist Connector 90°



**DS-AC 135**  
Adjustable Angle Joist Connector



**DS-VC**  
Perimeter/Fascia Profile Bracket



**DS-BB**  
Ballast Bracket



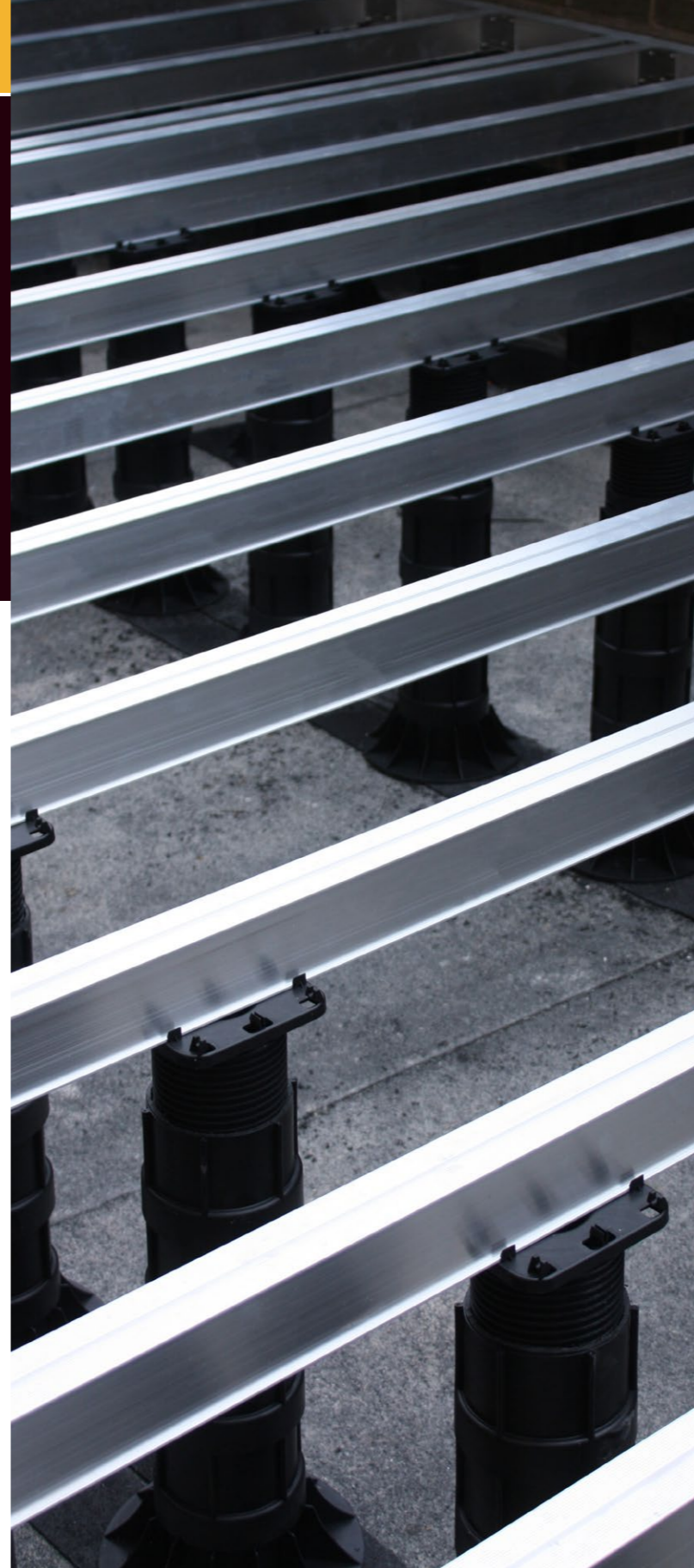
**DS-GA**  
Ground Anchor

Available for 22, 38 and 72mm joist profiles

### Screws



**DS-SSJS**  
Stainless Steel  
Joist Screw for  
Joist Connectors



## Technical Specifications

### Aluminium Decking Joist

#### Material

Aluminium Alloy 6063

#### Temper

T6

#### Finish

Mill finish or powder coated to RAL 9005 (black)

#### Fire rating

"Non-combustible", achieving a Class 1 surface spread of flame to BS476: Part 5

#### Allowable joist span load

DS22	400mm
DS38	600mm
DS72	1200mm

### Get started with RynoTerrace

For help with understanding which RynoTerrace system is the right one for your project or for any other guidance, call Ryno on:

**01358 726000**

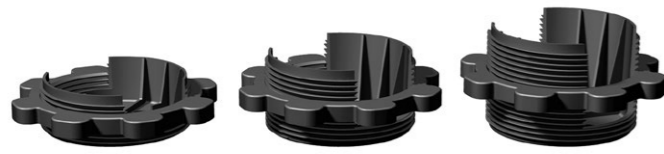
## Support Systems

Our market-leading decking support systems allow quick, clean and easy deck building, for decking with longevity.

### Deck Support Cradles

Ryno decking cradles are the perfect solution where decking requires elevating off the ground by a minimal height.

Simple to install and adjust, they are a very economical method of creating a clear space below the joists: helping ensure proper drainage as well as air circulation, which keeps decking looking its best for as long as possible.



**RDC10-25**  
**MicroTerrace™**  
Height range:  
10-25mm

**RDC10-40**  
**MidiTerrace™**  
Height range:  
10-40mm

**RDC10-50**  
**UltraTerrace™**  
Height range:  
10-50mm

### Technical Specifications

#### RDC Adjustable Joist Cradles

**Material**

Recycled Nylon (glass filled)

**Compression**

6kN/M<sup>2</sup> (min. 6 cradles/m<sup>2</sup>)

**Base diameter**

90mm

**Bearer width capacity**

44mm to 50mm bearer width

**Bearer/cradle connection**

Loose laid

**Biological/chemical**

Resistant to moulds, algae, alkali, bitumen, UV

**Working temperature**

-30°C to 120°C

**Cradle spacing**

350mm centre-to-centre (joist spacing 600mm max)

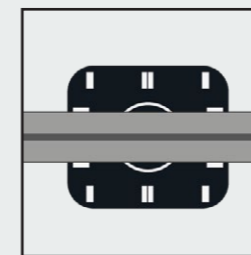
### 'Clip-on' Self-Levelling Adjustable Pedestal

Installation is quick and simple with Ryno 'clip-on' pedestals, which joists simply snap into: no need for fixings.

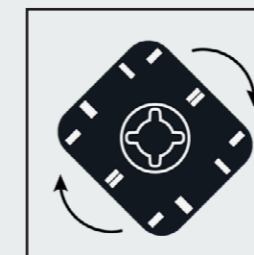


**RDAC**  
**UltraTerrace™**  
Height range: 40-1000mm  
Slope correction: up to 10.5%

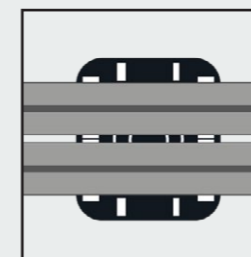
**Features of the 'clip-on' self-levelling head:**



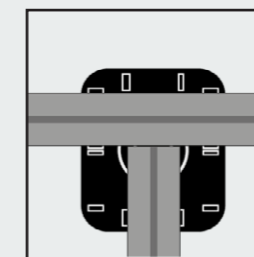
Single joists 'click' into place on the pedestal.



Rotate 'clip-on' head through 90°.



Double joists 'click' into place side by side, perfect for supporting board joints.



Versatile design allows for multi-directional applications.

### Technical Specifications

#### RDAC 'Clip-on' Self-Levelling Pedestal

**Material**

PP Polypropylene (recyclable)

**Compression**

2100kg (certified compression data available on request)

**Base diameter**

210mm/220mm

**Head dimensions**

115x130mm

**Bearer capacity**

Single or double aluminium joists

**Biological/chemical**

Resistant to moulds, algae, alkali, bitumen, UV

**Working temperature**

-40°C to 120°C

**Pedestal spacing**

400mm (DS22) 600mm (DS38), 1200mm (DS72)





**Ryno Ltd.**  
CastlePoint  
Castle Way, Ellon  
AB41 9RG

01358 726000  
[sales@rynogroup.co.uk](mailto:sales@rynogroup.co.uk)  
[rynogroup.co.uk](http://rynogroup.co.uk)

Part of the  
Whitesales Group

