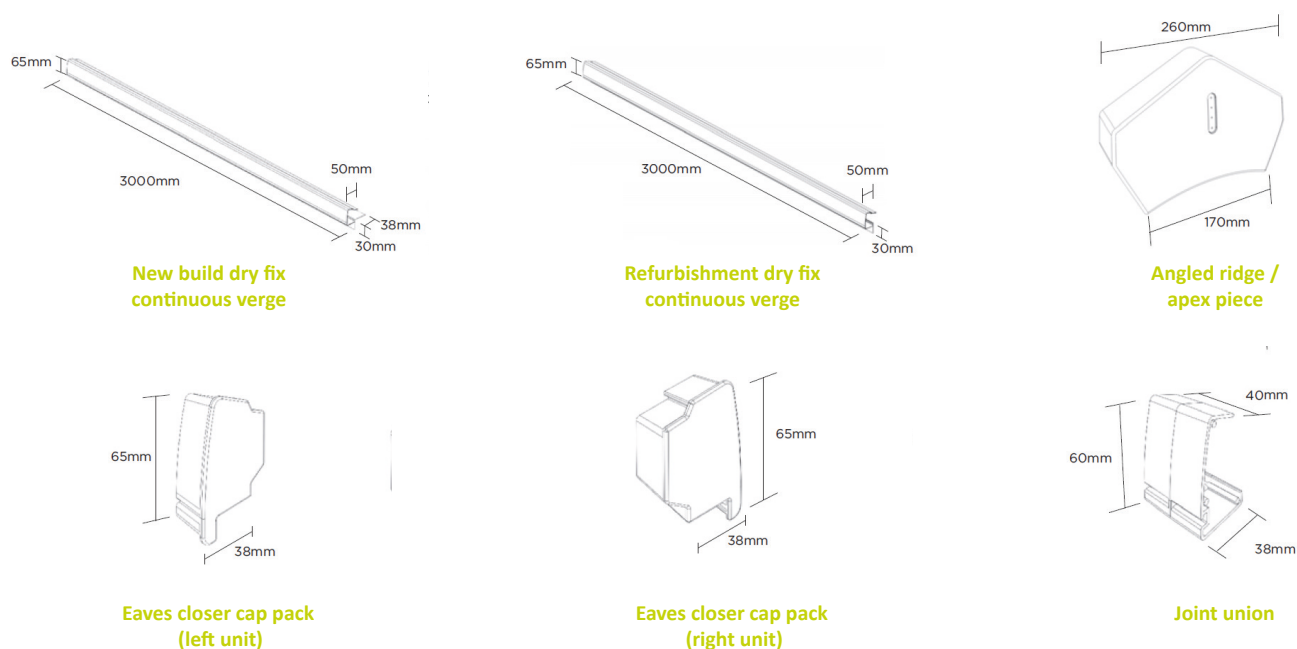


ROOFLINE

by **timloc**

Dry fix continuous verge system for slate and thin slate-effect roof tiles

A continuous verge system that presents a clean flush finish and an effective and virtually maintenance-free alternative to wet mortar bedding.



Use

- Slate and tile thickness between 4 - 13mm slate and slate-effect tiles

Features and benefits

- Long lasting, reliable and virtually maintenance free
- Protects against wind uplift, water ingress and general deterioration
- Easy, fast, clean and generally safer mortar free installation
- Allows virtually all weather installation
- Integral internal channel collects and discharges rainwater to the gutter
- Dedicated profiles for the new build and refurbishment applications to ensure secure fitting
- Refurbishment profile design avoids lifting slates and battens
- Concealed eaves closer cap allows for guttering if required
- Secure easy push fit joint unions
- Tough yet flexible allows easy manipulation and secure positioning
- Maintains consistently smart appearance
- Not impacted by building settlement
- Helps prevent entry of large insects, birds and vermin into the roofline
- Meets mechanical fix legislation requirements

Quality

- Helping to meet BS 5534 Code of practice for slating and tiling
- Complies with all other relevant regulations and standards
- Manufactured to BS EN ISO 9001 and BS EN ISO 14001
- Independently tested and complies with BS8612



Dry fix continuous verge system for slate and thin slate-effect roof tiles

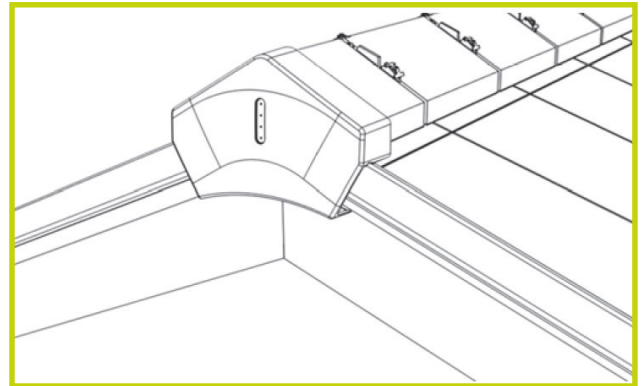
A continuous verge system that presents a clean flush finish and an effective and virtually maintenance-free alternative to wet mortar bedding.

Material and colour choice

- UV protected and colour fast PVC verge and polypropylene ridge and eaves closer caps
- Supplied in dark grey only

Products in the system

- 3m dry fix continuous verge for new build
- 3m dry fix continuous verge for refurbishment
- Angles ridge (apex) piece
- Eaves closer cap pack (right and left handed units)
- Joint union (connects two verge sections together)



Installation advice

- Please refer to our website www.timloc.co.uk for our full recommended installation guidance.

How to order

- Measure the length of the roof slope in metres and divide by 3 (product length) to identify how many profiles are required
- Ensure that the correct profile type is ordered for the project - new build or refurbishment
- An eaves closer cap must be installed at the beginning of each sloping run of Dry Fix Continuous Verge
- A Dry Fix Continuous Verge angled ridge piece must be installed at the apex of gable roofs
- A joint union is required when joining two Dry Fix Continuous Verge profiles together

Product codes

Description

- 3m new build dry fix continuous verge for slate/flat tile
- 3m refurbishment dry fix continuous verge for slate/flat tile
- Dry fix continuous verge for slate angles ridge/apex piece
- Dry fix continuous verge for slate/flat tile eaves closer cap pack (left and right units)
- Dry fix continuous verge for slate/flat tile joint union

Standard pack quantity

- 4
- 4
- 1
- 1 + 1
- 2

Product code

- 66101
- 66105
- 66120
- 66117
- 66124