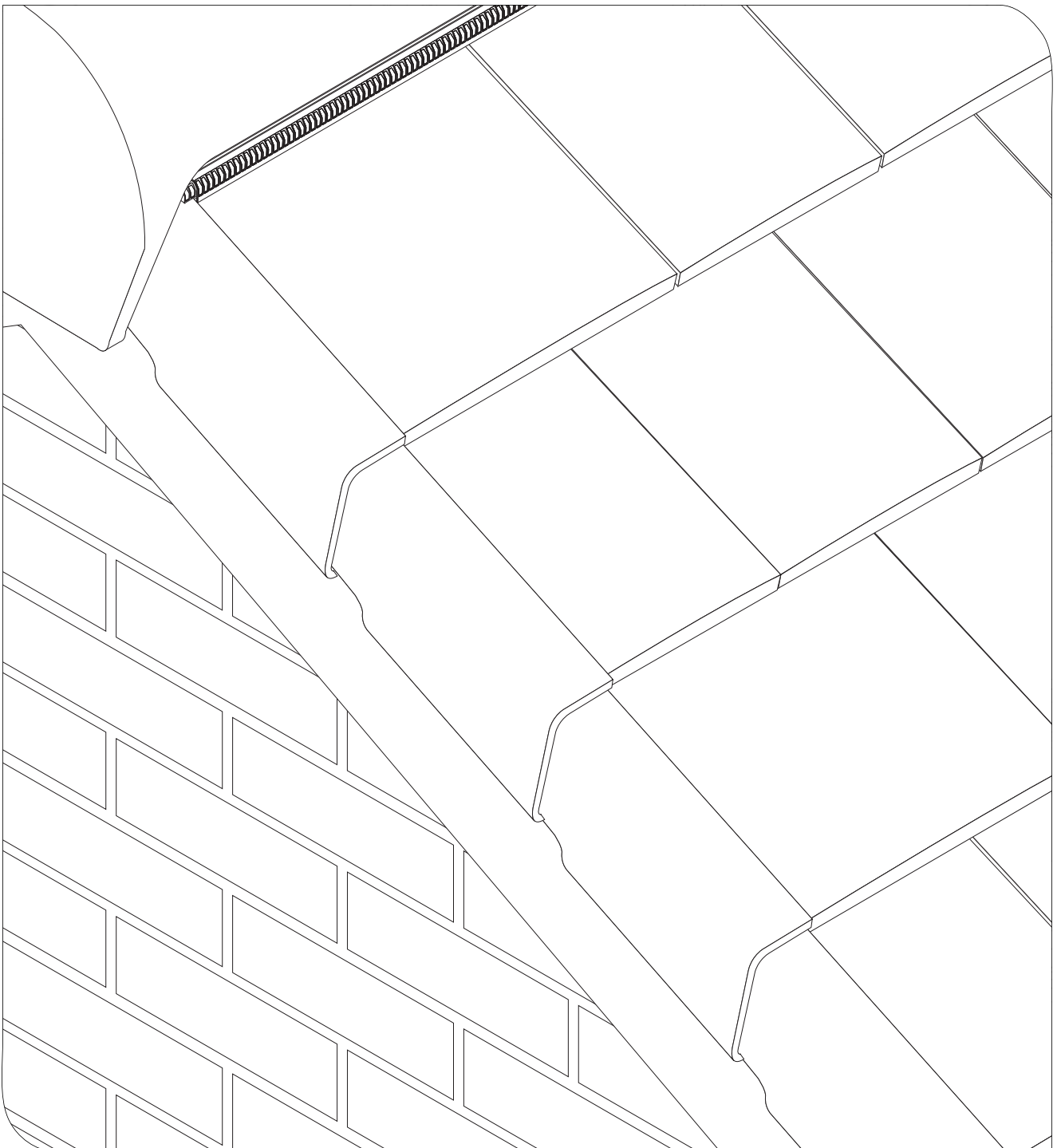


Sandtoft 

**Installation guide for
Sandtoft Medium Format
Dry Verge System**



Installation guide for Sandtoft Medium Format Dry Verge System

The Sandtoft MF dry verge system has been specially designed to suit the new 20/20 single lap tile and Balmoral. Unlike conventional dry verge systems each verge unit is designed to be nailed onto the top of the tile battens, thus eliminating the problems sometimes associated with nailing into the end grain of tile battens. The system is extremely quick and easy to fit and is closely colour matched to the tiles.

Note: Sandtoft MF dry verge units provide a neat and secure way to finish the roof at verges. The system is not intended to be waterproof. Rainwater running off the roof at the verge can run through the verge units and drip from the drain holes and edges of the underside.

As with all flat tiles and slates, rainwater is more likely to be driven over the verge edge in windy conditions. Therefore the incorporation of a bargeboard will help to prevent staining of the gable wall.

Minimum roof pitch	15° at 100 mm headlap 22.5° at 75 mm headlap
--------------------	---

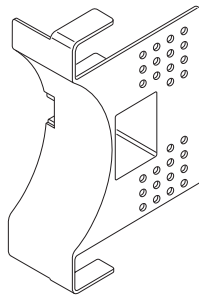
Maximum roof pitch	50°
--------------------	-----

Minimum batten gauge	230 mm
----------------------	--------

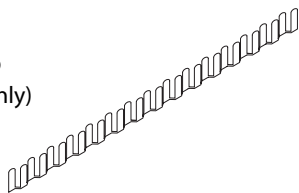
Maximum batten gauge	255 mm
----------------------	--------

Components

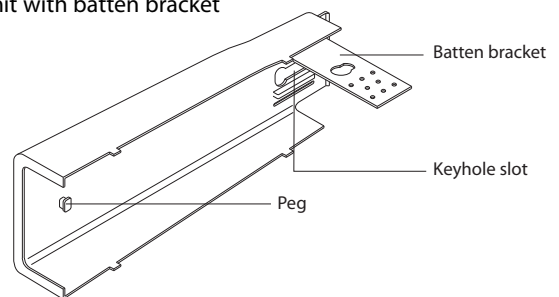
Eaves closure
(available in black only)



Ridge closure comb
(available in clear only)



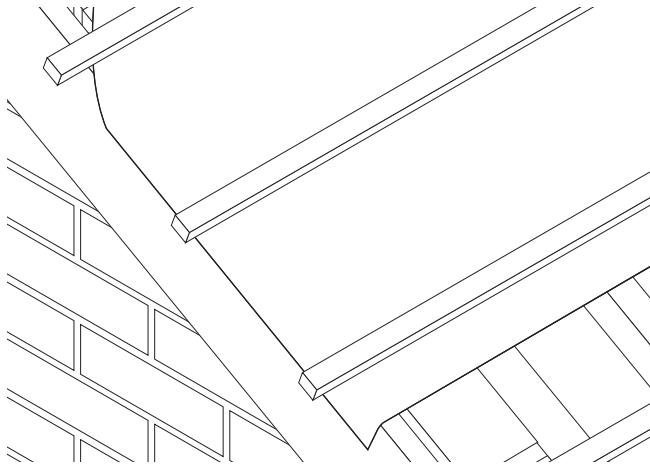
Verge unit with batten bracket



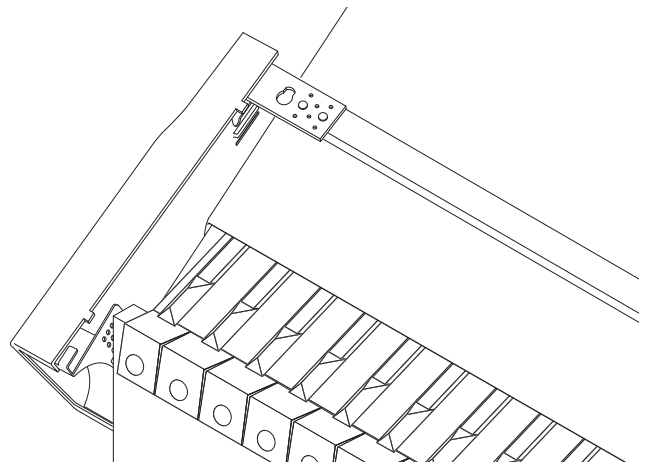
Colours

The verge units are available in Natural Red, Antique Slate, Flanders and Tuscan. (Note: Flanders and Tuscan are solid colours, developed to replicate the tile colours as closely as possible when viewed from ground level).

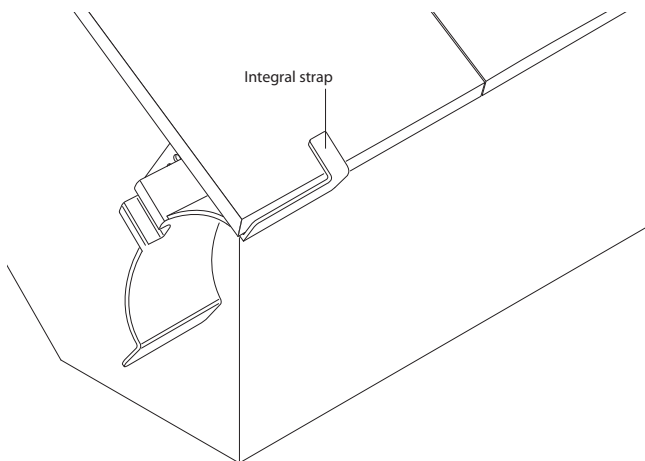
Installation



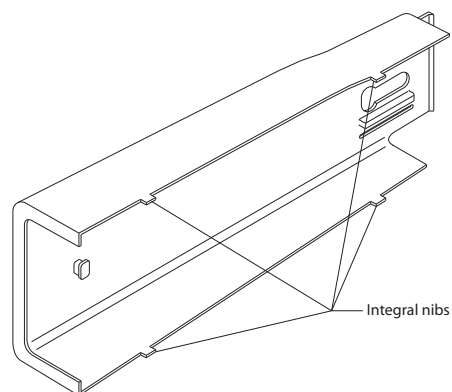
1. Lay the underlay in the usual way, allowing a 40 mm overhang at the verge. Set out the tile battens at between 230 to 255 mm centres and extend each batten 36 mm beyond outer edge of wall or bargeboard.



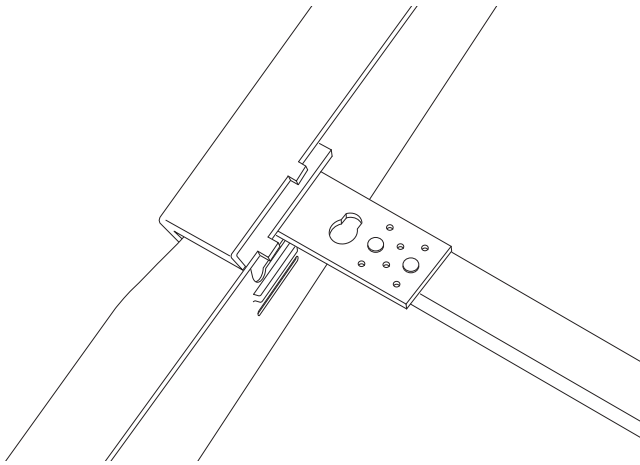
3. Then remove the tile. Take the first verge unit and fit a bracket into the appropriate left or right hand slot (marked on each verge unit 'left' for left hand verge and 'right' for right hand verge). Locate the verge unit over the eaves closure and click into position. Then nail the bracket onto the eaves course tile batten using 25 mm clout nails. Use two nails to prevent the bracket from rotating in the event of the verge unit being removed at a later time.



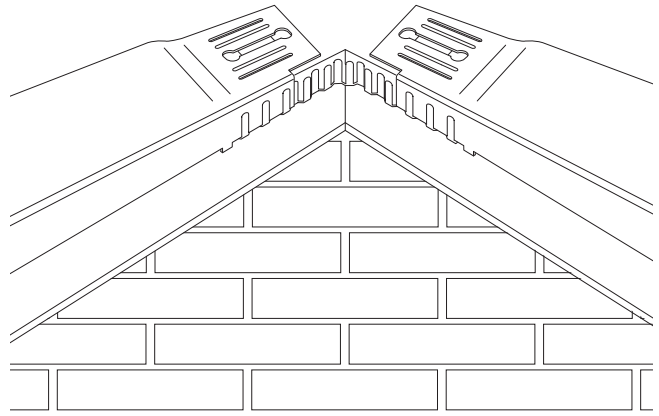
2. At the verge position a tile on the eaves course (but do not nail or clip yet) with the correct overhang over the eaves and verge. Locate the eaves closure onto the tail of this tile using the small integral strap on the closure. Then screw the closure to the wall or fascia using 2 screws through appropriate holes. Once in position, the integral strap can be easily removed if required.



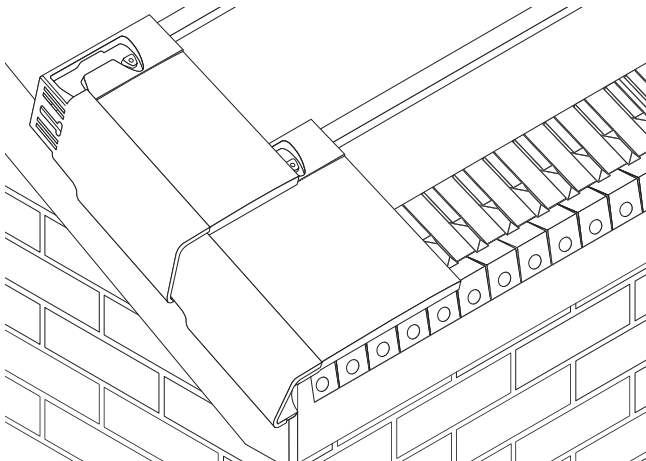
4. The integral nibs will hold the verge units off the wall to allow water to escape. The two nibs not in use on top of each unit can be removed to give a more pleasing finish.



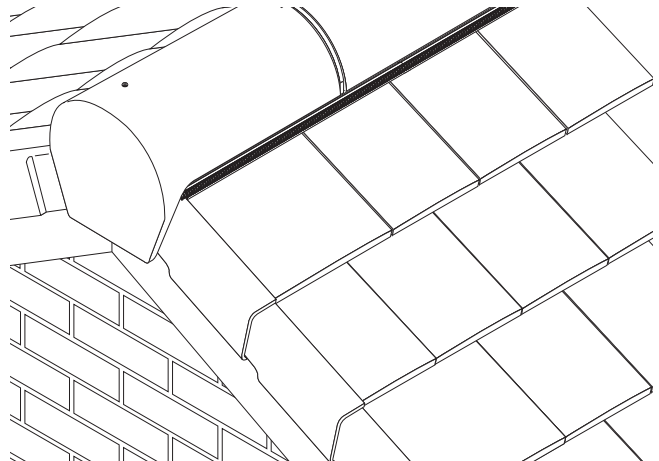
5. Take the next verge unit and again fit a bracket into the appropriate slot. Locate this verge unit over the first verge unit and insert the peg into the keyhole slot of the first verge unit. Then nail the bracket onto the next course tile batten, again using two nails. Follow this procedure for each tile course up to the ridge. The verge units can either be installed as the tiling progresses, or all at once preceding the tiling.



7. Before inserting the top course verge units into their final positions locate the ridge closure comb onto the lower edges of each verge unit as shown. This will close the gap between the verge units and the block end ridge.



6. Locate the tiles into each verge unit and nail to the battens as usual. At the right hand verges tiles can also be secured using tile clips if required.



8. Start/terminate the ridge with a block end ridge tile to cover the ends of the verge units.

Technical enquiries

Tel 0844 9395 999

Fax 0844 9395 950

E-Mail technical@sandtoft.co.uk



**CAMPAINING FOR
BEAUTIFUL ROOFS**

At Sandtoft we are continually innovating and improving our product range. We reserve the right to change product specifications without notice. Please contact our Customer Support Team for the latest information or visit www.sandtoft.com