




# **RAPIDROOF RANGE**

**COLD LIQUID APPLIED PMMA SYSTEM**





# RAPID CURE TIME



RapidRoof is LRS' unique PMMA, high performance, rapid curing, cold liquid applied waterproofing system. With a typical cure time of 20 minutes, RapidRoof is suitable for year round application. Applied by brush or roller, RapidRoof is one of the fastest and most cost effective waterproofing options for both commercial and residential projects.

With over 200% elasticity RapidRoof is tough, yet flexible enough to deal with most roof movement, unlike rigid systems. The RapidRoof range comes with our manufacturers product guarantee of 10 years as standard.

RapidRoof is ideal for domestic projects or small industrial roofs and is available with an Anti-Skid finish for designated walkways and balconies. It comes in grey as standard (please call for other colour requirements, subject to minimum order quantity).

RapidRoof is a 2-component system which is simple to apply and due to its liquid application and versatility to adhere to most surfaces, RapidRoof will self terminate, in most cases eliminating the requirement for flashings, new trims and expensive detailing.

RapidRoof is designed to cure down to 0°C, which means it can be applied throughout the whole year.



RapidRoof Pro is one our highest specification flat roofing product which has all the same benefits provided by standard RapidRoof, however, by incorporating a reinforcement matting provides extended guarantees of up to 20 years.

Available exclusively to LRS approved contractors, RapidRoof Pro is backed by a BDA and is NHBC accepted. This makes it ideal for new build construction where an NHBC warranty is required, or domestic flat roofing projects and small industrial projects where speed of application and curing times are important.

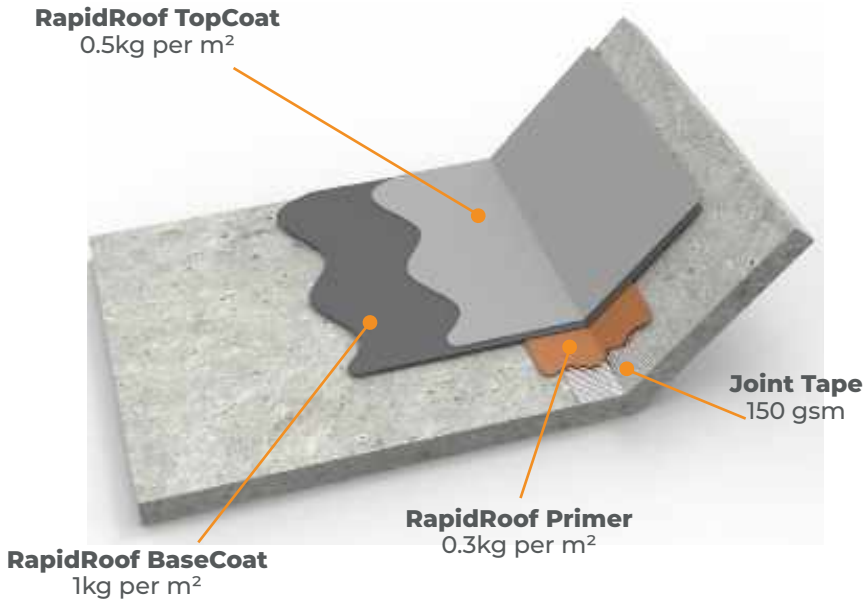
To become an approved contractor and gain access to our RapidRoof Pro system and extended 20 year guarantee, you must complete our in-house training course with one of our training specialists. Speak to one of our team today on 01948 841 877 to find out more.

Suitable for application on to: OSB3 roofing boards, mineral felt, asphalt, concrete, metal, fibre glass and compatible with standard GRP trims.





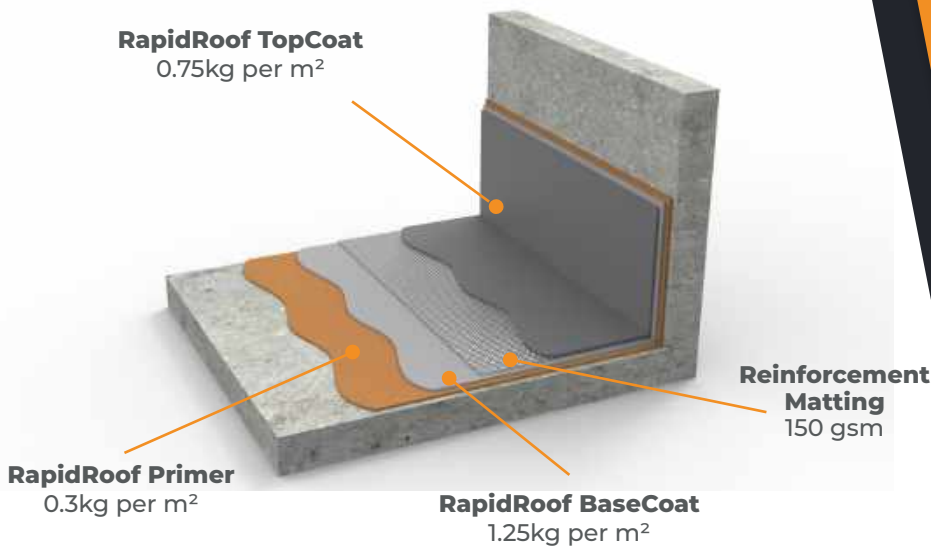
### 10 YEAR RAPIDROOF BUILD-UP



\*Primer required on some surfaces



### 20 YEAR RAPIDROOF PRO BUILD-UP

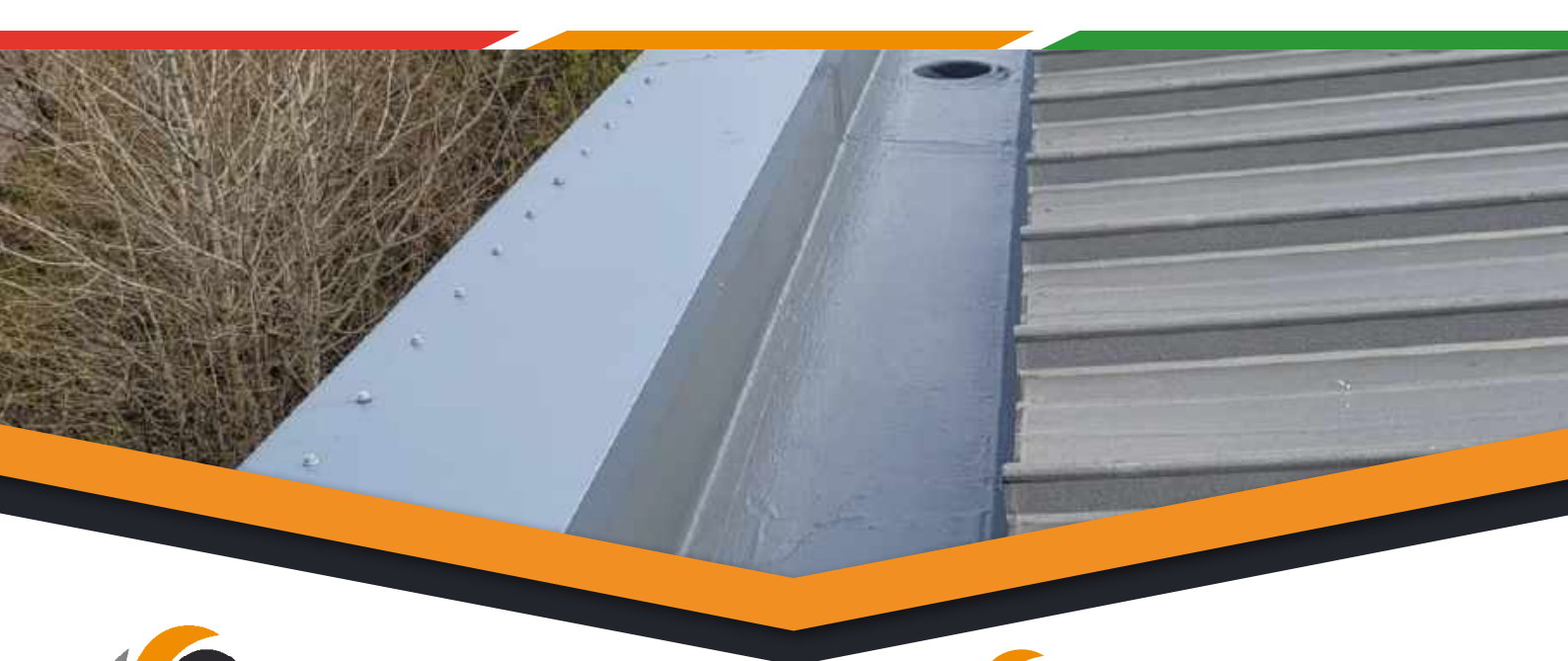


\*Primer required on all surfaces



**CURES DOWN  
TO 0°C**





Based on our RapidRoof formulation, RapidGutter is a fast curing, cold liquid applied PMMA. It is tough and durable enough to deal with high risk leak areas such as gutter coatings.

Applied by brush or roller, with a typical cure time of 20 minutes, RapidGutter is one of the fastest and most cost effective gutter waterproofing solutions. Suitable for both commercial and residential projects, RapidGutter is designed specifically for the coating of high-risk leak areas.

With over 200% elasticity RapidGutter is tough, yet flexible enough to deal with most roof movement, unlike rigid systems. RapidGutter is designed to be applied directly onto most surfaces without the need for primer.

With continued exposure to flowing and standing water, gutters are one of the biggest causes of failed roof systems. Given that RapidGutter is cold liquid applied, it provides a flexible solution to all gutter shapes and sizes.

RapidGutter is a 2-component, simple to apply system, due to its liquid application and versatility to adhere to most surfaces.

RapidGutter incorporates our RapidRoof Detailer which benefits from the addition of premixed fibres which provides additional strength. It is applied at a rate of 2kg per m<sup>2</sup>, 3kg = 10 joints at 1m x 0.15m.

RapidGutter is designed to cure down to 0°C, which means it can be applied throughout the whole year.

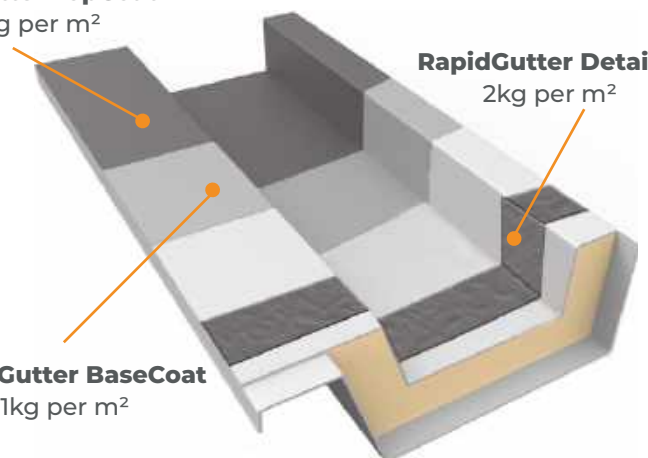


### 10 YEAR RAPIDGUTTER BUILD-UP

**RapidGutter TopCoat**  
0.5kg per m<sup>2</sup>

**RapidGutter Detailer**  
2kg per m<sup>2</sup>

**RapidGutter BaseCoat**  
1kg per m<sup>2</sup>

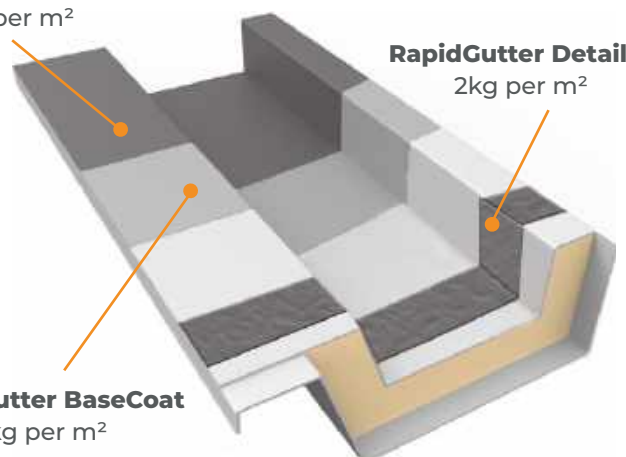


### 15 YEAR RAPIDGUTTER PRO BUILD-UP

**RapidGutter TopCoat**  
1kg per m<sup>2</sup>

**RapidGutter Detailer**  
2kg per m<sup>2</sup>

**RapidGutter BaseCoat**  
1kg per m<sup>2</sup>





RapidDeck is LRS' unique, high performance, rapid curing, cold liquid applied PMMA traffic coat walkway. Designed specifically to coat areas with high volume foot traffic, RapidDeck is robust yet flexible.

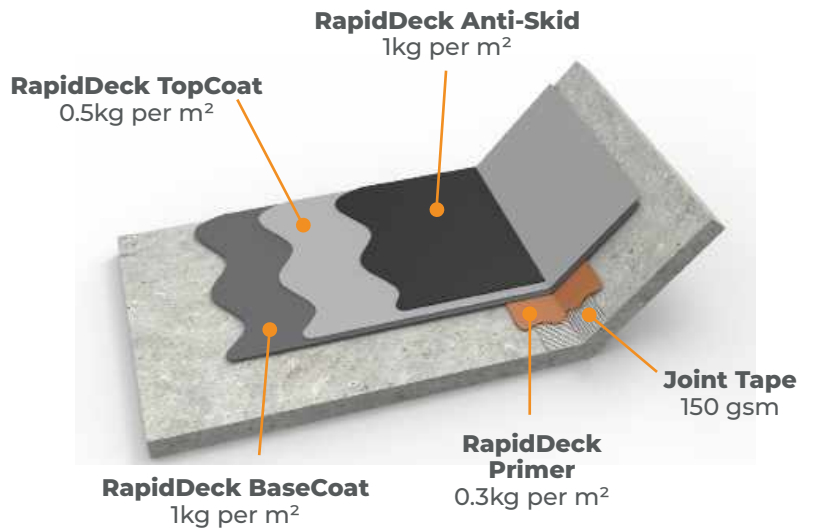
RapidDeck provides all the features of RapidRoof with the added benefits of an exceptionally hard wearing topcoat designed to protect the substrate whilst simultaneously reducing the risk of skidding. It's designed to be durable enough to withstand both heavy foot traffic and exposed conditions.

RapidDeck includes protection for all types of trafficked surfaces including footpaths, balconies, terrace and factory floors.

A rapid curing floor solution for both domestic and commercial applications, designed for the toughest environments, RapidDeck can come with a 20 year guarantee.



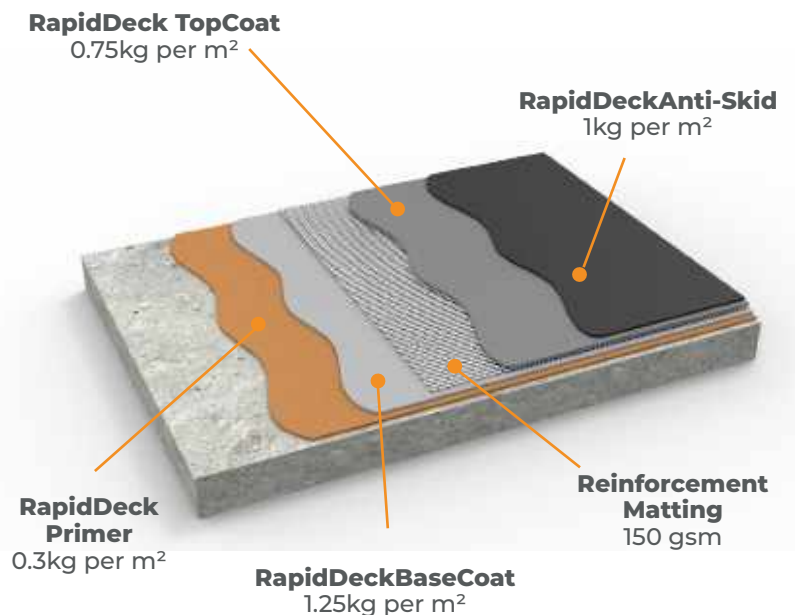
### 10 YEAR RAPIDDECK BUILD-UP



\*Primer required on some surfaces



### 20 YEAR RAPIDDECK PRO BUILD-UP



\*Primer required on all surfaces

# REPAIR SYSTEMS



RapidRoof Crack and Joint Filler is a three-component resin mortar, designed for rapid and permanent repairs.

Crack and Joint Filler is the fast curing, high strength, trowel applied part of the RapidRoof system which delivers excellent adhesion, good chemical resistance and fast curing properties, even at low temperatures.



RapidRoof Ponding Filler is a two-component resin mortar, designed for rapid and permanent repairs.

Ponding Filler is a high strength, fast curing, impact and abrasion resistant part of the RapidRoof system and has excellent mechanical properties, good chemical resistance and frost resistance which is impervious to water. Used to fill ponded areas by pouring onto the primed floor and trowel finished.





RapidRoof Detailer is a two-component resin which is designed to provide waterproofing for upstands, pipes and hard to reach detailed area that are difficult to reinforce.

RapidRoof Detailer benefits from the same great features of RapidRoof including its cure time, durability, and flexibility, with the additional benefit that it contains premixed fibres which provides additional strength and allows for secure detailing of difficult areas.

RapidRoof Detailer can be applied in a single coat and is suitable for application onto most surfaces with exceptional adhesion properties.

Simple to apply and robust enough to deal with most roof detailing, RapidRoof Detailer is the ideal product to help with difficult roofs.



RapidRepair is LRS' 20 minute emergency repair system. As part of the RapidRoof range, this product is specifically designed to provide an emergency solution for leaking roofs, gutters and other surfaces which have suffered damage or present a risk of leaking.

RapidRepair offers all the same great features of the unique RapidRoof formula with the addition of premix fibres, providing greater strength and bridging properties and allowing a faster and more effective application to acute areas of damage requiring repair.

As part of the RapidRoof family of products, RapidRepair can be applied in a single coat and is suitable for application onto most surfaces with exceptional adhesion properties. With over 200% elasticity, full flexibility, high tensile strength and UV stable, RapidRepair provides a long-term repair which will not crack or become brittle over time.

Simple to apply and robust enough to deal with most roof repairs, RapidRepair is the ideal roof repair product to keep on hand.



# TECHNICAL DATA SHEET



## USES:

RapidRoof is designed so that it can be applied directly onto most surfaces without the need for primer. This means that it can be incorporated into the building of a new roof; applied onto OSB3 boards.

Alternatively used to overcoat existing old or failed membranes including; felt, asphalt, metal, GRP etc, eliminating the need for stripping the roof and disturbing the substrate, saving time and money whilst limiting disruption on site.

## MIXING THE CATALYST:

It is advised that all products are mixed using a paddle mixer where available, or with similar apparatus. Ensure all products are mixed thoroughly to ensure even curing.

Typically, 1 minute of mixing is sufficient. All products within the RapidRoof range are two-part, base product and catalyst. Once catalyzed (catalyst mixed into the base product) you will have up to 20 minutes in which to apply the product to the required area or application.

It is advised to always decant only the amount of product that can be applied within 10 minutes to avoid unnecessary wastage and avoid shortage of product. When applying the product, it is advisable to pour directly onto the surface to avoid any accelerated curing that can occur from excess heat generated within the tin by the catalysing process.

## CATALYST RATIO:



Equates to 2% of the main product, 20g of catalyst to every 1kg of product.

PRODUCT VOLUME	CATALYST
1kg	20g
5kg	100g
10kg	200g

PHYSICAL PROPERTIES & SPECIFICATIONS	
Colour:	Grey or Black
Ral:	7031
Flash point:	10°C
Ignition temp:	275°C
Elongation:	200%
Dry time:	Approx. 20 mins
Surface temp:	0°C - 35°C
Vapor pressure at 20°C:	38.7 hPa
Density at 20°C:	1.6g / cm <sup>3</sup>



TECHNICAL STATISTICS	
Dry film thickness:	1.5mm - 2mm
Application rate:	1.5kg / 2kg m <sup>2</sup>
Cure time:	20 minutes
Fire test:	AC
Application temperature:	0°C - 35°C (surface)
Specific gravity:	1.65g / cm <sup>3</sup>
Load Strength:	150N
Elongation:	200%

SUITABLE SURFACES (Detailing Primer required)		
		
Concrete	Fully prime ✓	Fully prime ✓
Mineral felt	Prime joints ✓	Fully prime ✓
Asphalt	Prime joints ✓	Fully prime ✓
OSB3	Prime joints ✓	Fully prime ✓
Metal	Prime joints ✓	Fully prime ✓
Fibre glass / GRP	Prime joints ✓	Fully prime ✓
Single Ply	Fully prime ✓	Fully prime ✓

PRODUCT RANGE TABLE			
PRODUCT	SIZE	CODE	COLOUR
Detailing Primer	1.5kg	RRGP1.5	Clear
Detailing Primer	3kg	RRGP3	Clear
Detailing Primer	5kg	RRGP5	Clear
Waterproof	5kg	RRWP5	Black & Grey
Waterproof	7.5kg	RRWP7.5	Black & Grey
Waterproof	10kg	RRWP10	Black & Grey
Anti-Skid	5kg	RRAS5	Black & Grey
Anti-Skid	10kg	RRAS10	Black & Grey
Joint Tape	100mm x 25m	RRJT25	White
Joint Tape	100mm x 180m	RRJT180	White
Chopped Strand Matting	1m x 25m	RRCSM125	White
Chopped Strand Matting	1m x 180m	RRCSM1180	White
Waterproof Kit	5m <sup>2</sup>	RRWPKIT5	Black & Grey
Waterproof Kit	10m <sup>2</sup>	RRWPKIT10	Black & Grey
Waterproof Kit	20m <sup>2</sup>	RRWPKIT20	Black & Grey
Anti-Skid Kit	5m <sup>2</sup>	RRASKIT5	Black & Grey
Anti-Skid Kit	10m <sup>2</sup>	RRASKIT10	Black & Grey
Anti-Skid Kit	20m <sup>2</sup>	RRASKIT20	Black & Grey
Waterproof & Anti-Skid Kit	5m <sup>2</sup>	RRWPASKIT5	Black & Grey
Waterproof & Anti-Skid Kit	10m <sup>2</sup>	RRWPASKIT10	Black & Grey
Waterproof & Anti-Skid Kit	20m <sup>2</sup>	RRWPASKIT20	Black & Grey
Ponding Filler Kit	17kg	RRPF17	Grey
Crack & Joint Filler	10kg	RRCJF10	White
Catalyst	200g	RRC10	White



## TRAINING

### BECOME AN LRS APPROVED CONTRACTOR

As a member of LRWA and accepted by the NFRC, we are passionate about waterproofing standards and ensuring contractors are fully trained on our systems so that projects are completed quickly and effectively.

Whilst our systems are designed to be comprehensive to apply and do not require application by an approved contractor, in order to get the best performance and benefit from extended guarantees we offer approved contractor status on all our systems.

### APPROVED CONTRACTOR STATUS

LRS run approved contractor training schemes on all our systems. We also offer contractors full support and a preferred contractor list to building owners.

As an approved contractor you will receive exclusive access to our Pro systems across all our ranges including RapidRoof Pro, RapidGutter Pro, RapidDeck Pro, FastCoat Pro and Elasto-Kote Pro. These are the third-party accredited systems which offer BBA, BDA, FM and NHBC accepted applications for New Build.

### 1 DAY TRAINING COURSE

Our approved contractor training is a comprehensive 1-day programme which is highly recommended for both experienced liquid applicators and contractors new to liquid applied systems, as it provides valuable time saving tips and essential techniques.

## TECHNICAL

At the heart of everything that LRS does is our dedication to product performance and technical excellence. We believe that liquid waterproofing provides the best solutions for flat and pitched roofs, gutters, tanking and car parks.

We are dedicated to continually improving the quality of both our products and our service. We have a dedicated technical support team, supported by field based technical managers who can provide site specific specifications, telephone or onsite support.

Our downloadable product data sheets, application guides and certifications can be found on our website

**[www.lrs-systems.co.uk](http://www.lrs-systems.co.uk)**.

Further information about specific technical data can also be made available upon request by contacting our technical team who will be happy to help and can email the required information. For site specific specifications please contact the technical team on **01948 841 877**, select option 1 or email **[technical@lrs-systems.co.uk](mailto:technical@lrs-systems.co.uk)**.



**BECOME AN  
APPROVED  
CONTRACTOR**





## GUARANTEES AND TESTING


Our systems are tested to the highest standards to ensure they are fit for purpose and deliver exceptional performance.

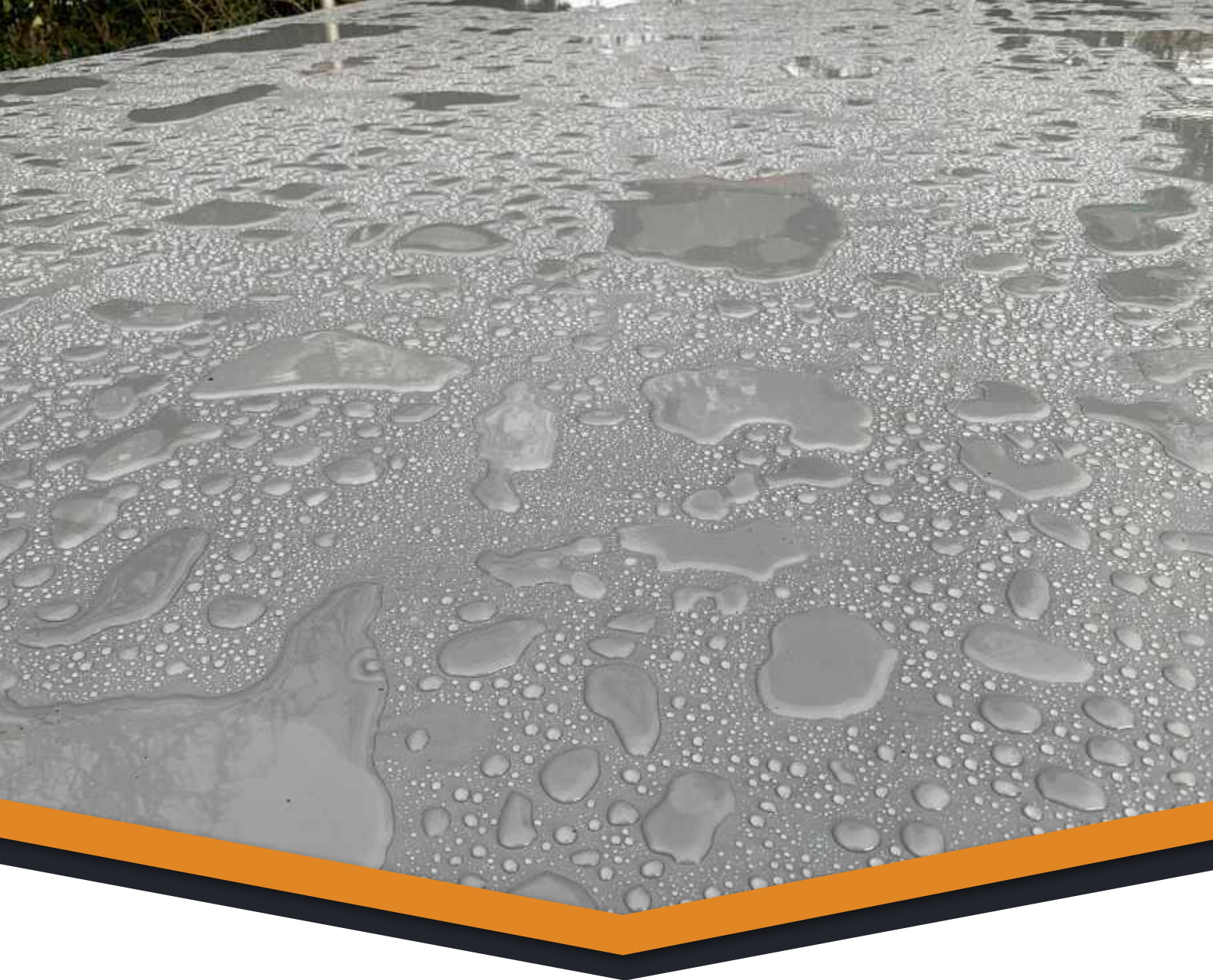
We only manufacture and distribute high performance materials and as such all our systems come with a 10 year guarantee as standard, with our pro ranges offering extended guarantees of up to 25 years.

Our products are third party accredited by the largest testing houses in Europe and the United States including BBA, BDA and Factory Mutual. Our production processes are externally audited to ensure complete quality control.

We continually test our products to the latest standards and whilst our testing certificates are available on our website our technical team are on hand to deal with specific test enquiries.

For further information visit [www.lrs-systems.co.uk](http://www.lrs-systems.co.uk) or call our team on **01948 841 877**.

PRODUCT GUARANTEES BREAKDOWN	
	10 year guarantee
	Up to 20 years guarantee
	10 year guarantee
	15 year guarantee
	10 year guarantee
	Up to 20 years guarantee
	10 year guarantee
	10 year guarantee
	Up to 25 years guarantee
ELASTO-KOTE.	10 year guarantee
ELASTO-KOTE <b>PRO</b> .	Up to 20 years guarantee



## LIQUID ROOFING SYSTEMS

📍 Roofing House, Prees Green, Whitchurch, SY13 2BN

☎ 01948 841 877

📞 01948 841 854

✉ enquiries@lrs-systems.co.uk

🌐 [www.lrs-systems.co.uk](http://www.lrs-systems.co.uk)

