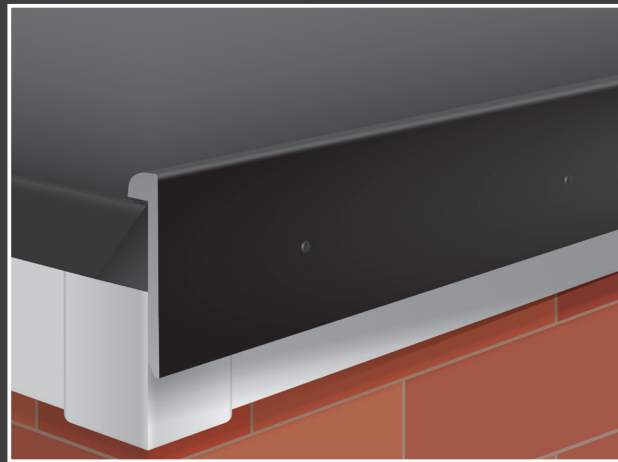


What good looks like

Installed and joined correctly, Raised Kerb Trim stops rain water running off the side of the roof and directs it towards the Gutter Trim - which then directs it into the guttering system.



Integra Trim components are designed and manufactured for quick and easy installation.

In this guide, you'll learn how to prepare your project site and correctly install each Integra Trim component.

How to install lengths of Integra Trim Raised Kerb Trim

Follow the steps in this guide to correctly install (and join) lengths of Integra Trim Raised Kerb Trim.

Preparing for flat roof success

Ensure your roof surface (and Integra Trim Raised Kerb Trim components to be installed) are clean, dry and free from dust and contaminants. Make sure to have the correct (and required quantities of) materials and tools, as listed below.

Materials required

- 2.5m lengths of Integra Trim Raised Kerb Trim
- 50mm PolyTop nails
- Countersunk screws
- FlexiProof Contact Bonding Adhesive
- FlexiProof Contact Spray Aerosol

Tools required



SCISSORS OR CRAFT KNIFE



HAMMER



ROLLER



Top Tips...

"Each length of Raised Kerb Trim is covered with a protective film. Make sure to carefully peel this off before installation.

Raised Kerb Trim is supplied with pre-drilled holes (at the correct spacing of 345mm) to ensure the optimum compression seal when securing with 50mm PolyTop nails."

Step by step instructions to install Raised Kerb Trim

Step 1

Before installing Raised Kerb Trim, make sure the fascia board is solid and high enough to accept the installation of the trim and, importantly, provide a strong fixing point for the PolyTop nails.

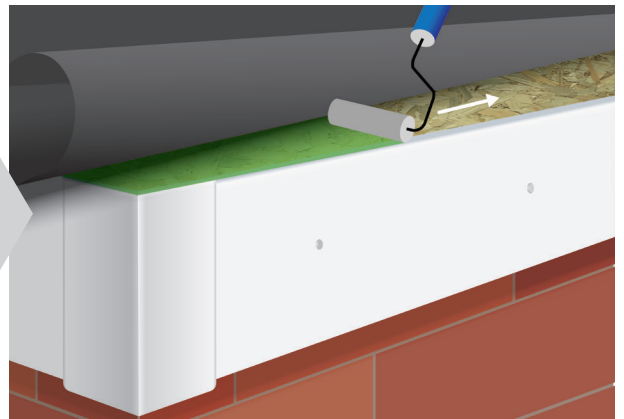
Also ensure that at least 50mm of FlexiProof EPDM membrane is overhanging the fascia.



Step 2

Use a roller* to apply an even coating of FlexiProof Contact Bonding Adhesive along the exposed roof deck and top of the fascia.

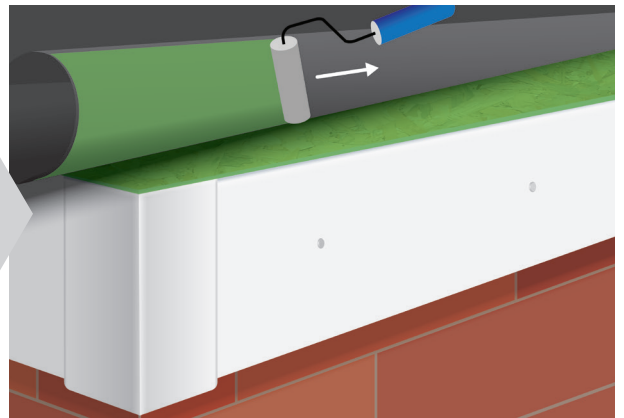
*When using FlexiProof Fleece Backed EPDM membranes, use FlexiProof Contact Spray Aerosol.



Step 3

Apply an even coat of FlexiProof Contact Bonding Adhesive along the underside of the FlexiProof EPDM membrane.

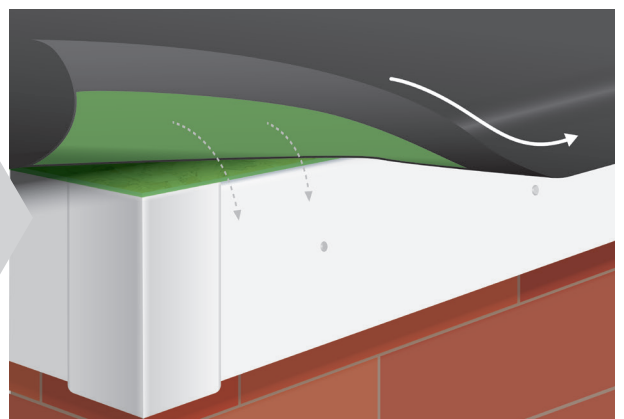
(We recommend using a roller for FlexiProof One Piece EPDM membranes and a spray for FlexiProof Fleece Backed EPDM membranes.)



Step 4

Carefully and evenly roll the FlexiProof EPDM membrane down and onto the roof deck and fascia.

Make sure to smooth-out any air bubbles or creases, and confirm good adhesion, before progressing to **Step 5**.



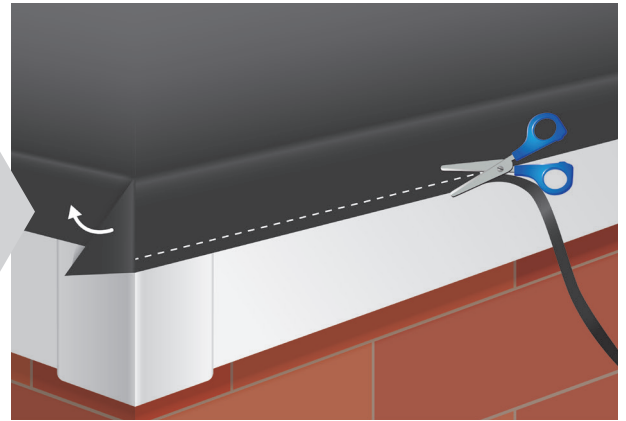
Step 5

Neatly snip-off any excess FlexiProof EPDM membrane overhanging the fascia.

Fold and tuck the membrane in on the left side to create a flap.

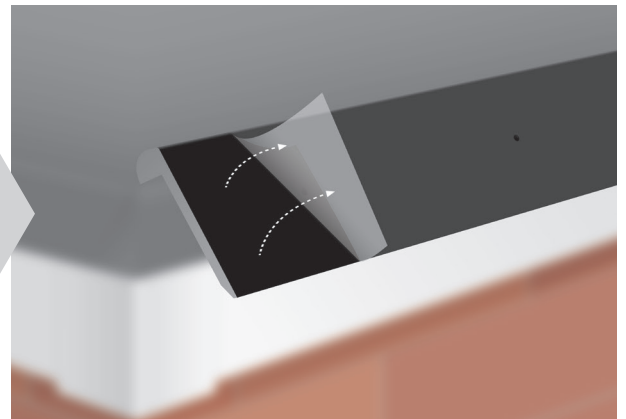


SCISSORS OR
CRAFT KNIFE



Step 6

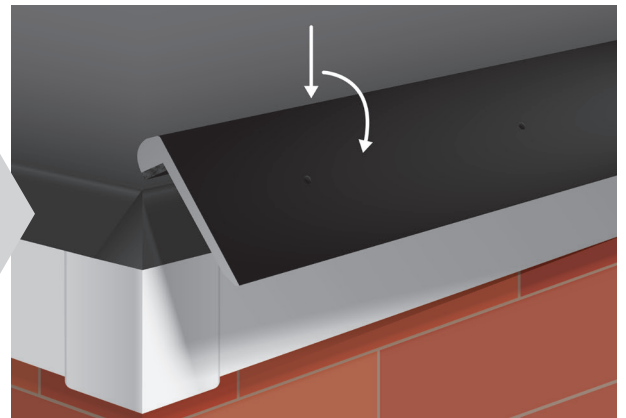
Carefully peel-off the protective film from the outside surface of the length of Raised Kerb Trim to be installed.



Step 7

Position the length of Raised Kerb Trim along the edge of the roof surface and press down and in firmly.

(This creates a watertight seal between the FlexiProof EPDM membrane and the foam sealant strip along the underside of the Raised Kerb Trim.)



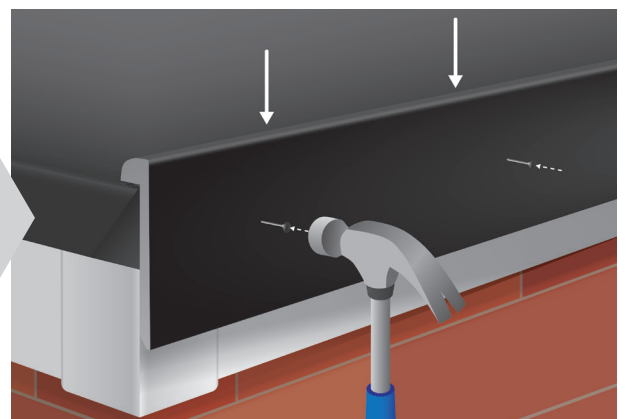
Step 8

Hold the length of Raised Kerb Trim in place and carefully hammer a 50mm PolyTop nail into every pre-drilled hole along that section.

Refollow the steps above to install the next length of Raised Kerb Trim.



HAMMER



Everything we do is focused on your flat roof project success.

From garages and garden rooms to extensions and large construction projects, FlexiProof EPDM membranes beautifully finish and protect flat roofs of all sizes.

Quickly and easily cold-applied, the complete FlexiProof flat roof system of EPDM membranes, edge trim components and specially-formulated adhesives enables installers, at all skill levels, to deliver outstanding results – every time!

Long term flat roof success.

Wind, rain or shine.

Together we've got it covered.

Integra Trim

Contact : 01306 400801 E: info@flexiproof.co.uk W: flexiproof.co.uk

FlexiProof Flat Roof Systems, Rugge Farm, Horsham Road, Beare Green, Dorking RH5 4PT