

# Magply

**Timber Frame**

**Render Systems**

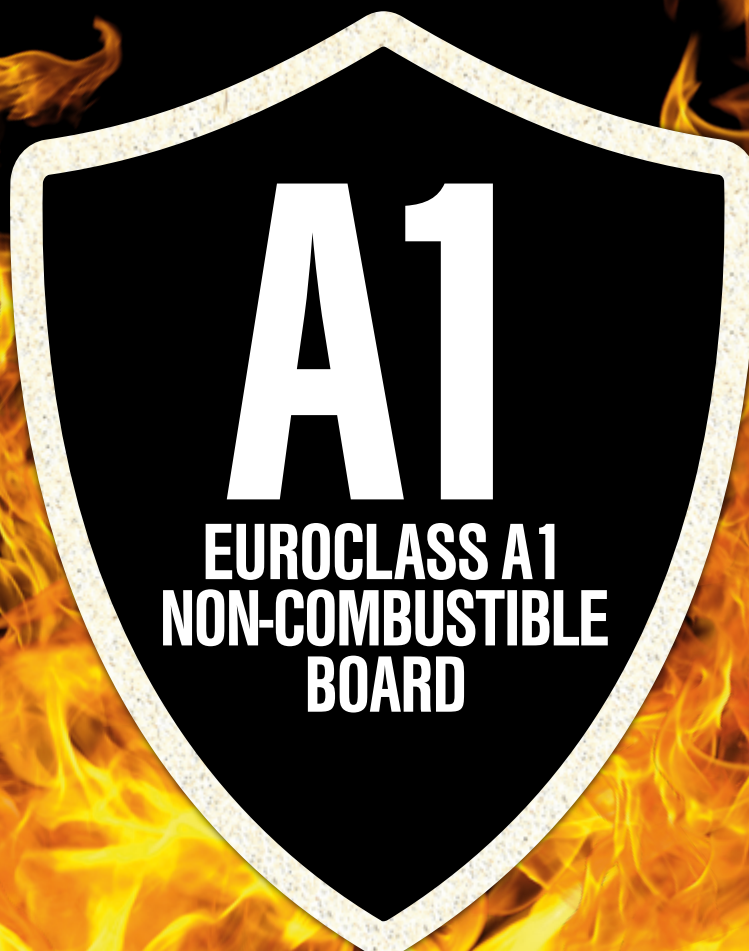
**Steel Frame Systems**

**Rainscreen Cladding**

**Modular Build**

**Spandrel Panels**

**SIP Panels**



EUROCLASS A1  
PERFORMANCE



ETA 17/0976



MOISTURE  
PROTECTION



STRONG AND  
EASY TO USE



ENVIRONMENTALLY  
FRIENDLY



BREATHABLE



MOULD  
RESISTANT



LOW CHLORIDE  
CONTENT



SOUND  
REDUCTION



CLASS 0

# TIMBER FRAME (Rockwool)

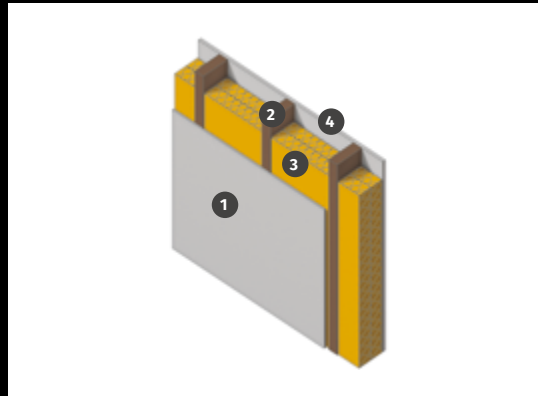
STANDARD: BS 476: PART 22: 1987 | TEST DATE: 19<sup>th</sup> JUNE 2015

**91**  
MINUTES

INTEGRITY

**86**  
MINUTES

INSULATION



- 1 9mm Magply
- 2 38mm x 140mm Section
- 3 2 x Layers Rockwool
- 4 15mm Gyroc Fireline

# TIMBER FRAME (PIR)

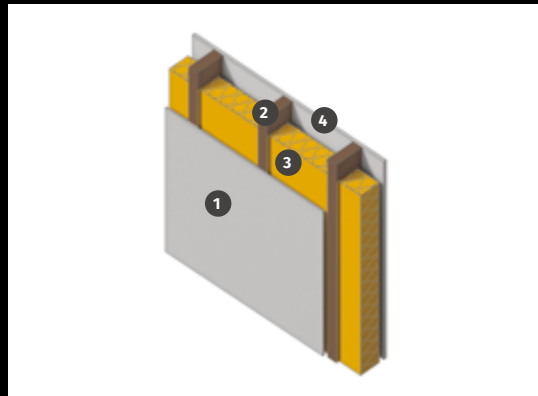
STANDARD: BS EN 1364 - 1 2015 | TEST DATE: 19<sup>th</sup> JULY 2016

**75**  
MINUTES

INTEGRITY

**66**  
MINUTES

INSULATION



- 1 9mm Magply
- 2 38mm x 140mm Section
- 3 110mm Polyisocyanurate
- 4 15mm Knauf Fire Panel

# SPANDREL PANEL (UN-INSULATED)

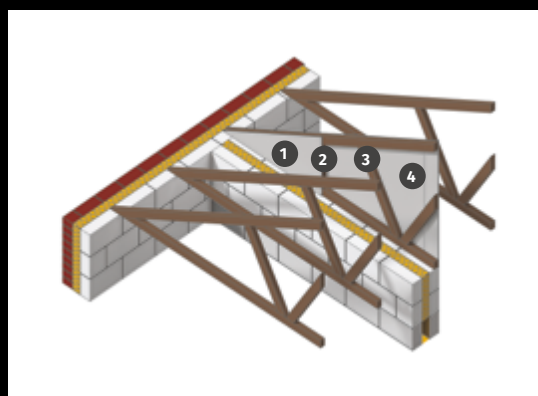
STANDARD: BS 476: PART 22: 1987 | TEST DATE: 17<sup>th</sup> FEBRUARY 2018

**132**  
MINUTES

INTEGRITY

**61**  
MINUTES

INSULATION



- 1 12mm Magply
- 2 100mm Cover Strip
- 3 38mm x 89mm Section
- 4 12mm Magply



# LOAD BEARING WALL

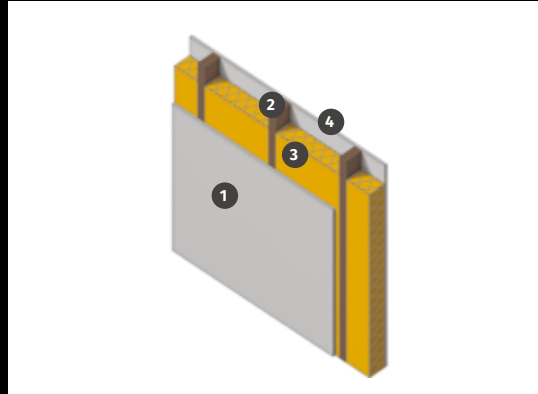
STANDARD: BS EN 1365-1: 2012 | TEST DATE: 13<sup>th</sup> OCTOBER 2016



INTEGRITY



INSULATION



- 1 9mm Magply
- 2 38mm x 90mm Section
- 3 Knauf Insulation
- 4 9mm Magply

# STEEL FRAME PARTITION

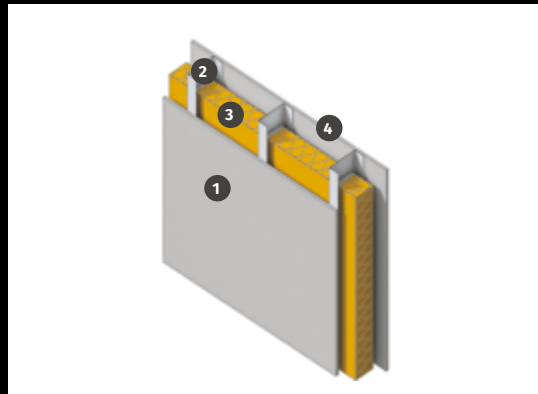
STANDARD: BS EN 1364 - 1 2015 | TEST DATE: 31<sup>st</sup> MARCH 2017



INTEGRITY



INSULATION



- 1 9mm Magply
- 2 70mm x 32mm Section
- 3 70mm Mineral Wool
- 4 9mm Magply

# SPANDREL PANEL

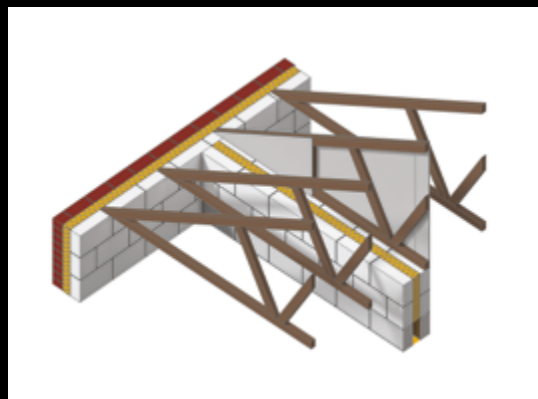
STANDARD: BS476 Part 22:1987 Clause 5 | TEST DATE: 17<sup>th</sup> AUGUST 2017



INTEGRITY



INSULATION



- ▶ 12mm Magply
- ▶ 38mm x 89mm Section
- ▶ 50mm Cavity
- ▶ 38mm x 89mm Section
- ▶ 12mm Magply





# LOAD BEARING WALL

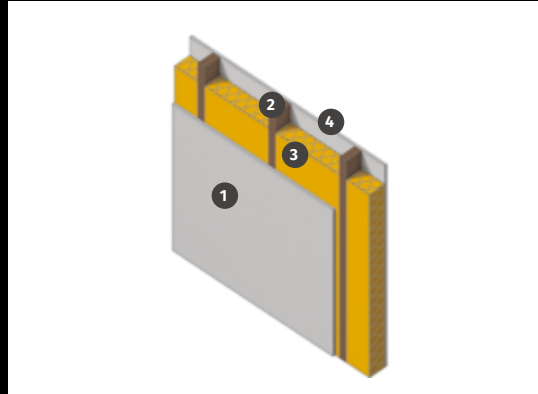
STANDARD: BS EN 1365-1: 2012 | TEST DATE: 13<sup>th</sup> JULY 2018



INTEGRITY



INSULATION



- 1 12mm Magply
- 2 38mm x 89mm Timber Frame
- 3 90mm Knauf Earthwool
- 4 9mm OSB

# LOAD BEARING WALL (Light Gauge steel frame)

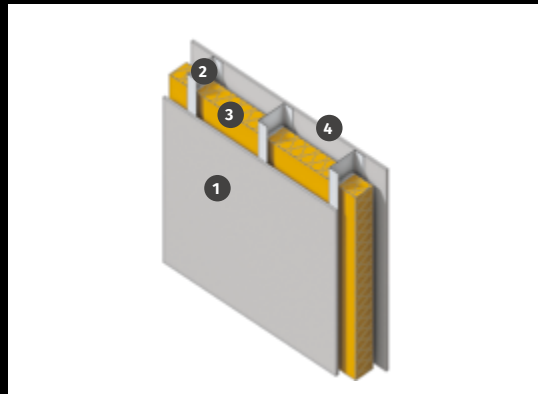
STANDARD: BS EN 1365 - 1: 2012 | TEST DATE: 26<sup>th</sup> FEBRUARY 2019



INTEGRITY



INSULATION



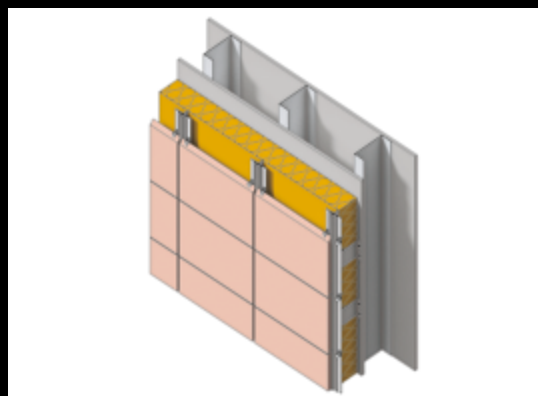
- 1 12mm Magply with 70mm Internal Cover Strip
- 2 100mm LGS Frame
- 3 100mm Rockwool
- 4 12mm Magply

# EXTERNAL CLADDING

STANDARD: EN 13501-1:2007 A1: 2009 | TEST DATE: 14<sup>th</sup> JUNE 2016



A1 CLASSIFICATION  
OF REACTION TO FIRE  
PERFORMANCE



In line with the Building Control Alliance Technical note 18; 'use of Combustible Cladding Materials on residential buildings paragraph 12.7 of AD B2' - use materials of limited combustibility throughout the cladding system.



# Introduction

The Magply Euroclass A1 board can be used as a fire mitigation sheathing board for Timber Frame, Steel Frame, Rainscreen Cladding, SIP Panels, Spandrel Panels and Modular Build.

Magply features a Magnesium Oxide formulation which is manufactured from a production process that ensures a very low chloride content enhancing both stability and durability. Magply carries internationally recognised accreditations confirming the boards' ability to deliver fire integrity, racking strength, impact and pull-out resistance.



Thickness (mm)	Width (mm)	Length (mm)	Weight per board	Surface m <sup>2</sup>
6	1200	2400	19	2.88
9	1200	2400 2440	28 29	2.88 2.98
12	1200	800 2400	13 38	0.96 2.88
20	1200	2400	63	2.88

**Thermal Conductivity** 0.19 W/mK

**Fire Classification** Class 0 Euroclass EN13501\* A1 (Non-Combustible)

**Reaction to Fire** Passed BS EN 1716 Reaction to Fire\* Passed

**Appearance** Solid flat sheet board

**Colour & Odour** White, Odourless Change of State None

**Vapour Resistance** Vapour Resistance 0.31 MNs/g (EN ISO 12572\*)

**Melting point** Melting point: 2400°C

**Vapour pressure** EN ISO 12572: 2016 = 0.31 MNs.g-1.

**Solubility** Solubility: Insoluble in Water

**Acoustic** 9mm Rw 28dB 12mm Rw 29dB 20mm Rw 31dB EN ISO 717-1:2013

**For more information on testing please contact  
the Magply Technical line: +44 (0)1621 776 252**



# Magply

TESTED & CERTIFIED BY



LUCIDEON  
insight creating advantage



BUNCH  
BYGNINGSFYSIK

FOR MORE INFORMATION

UNITED KINGDOM

+44 (0) 1621 776 252 | [sales@magply.co.uk](mailto:sales@magply.co.uk)  
[www.magply.co.uk](http://www.magply.co.uk)

IRELAND

+00 (353) 873 625 485 | [mike@magply.ie](mailto:mike@magply.ie)  
[www.magply.ie](http://www.magply.ie)

